



US00D662335S

(12) **United States Design Patent**
Schultz

(10) **Patent No.:** **US D662,335 S**
(45) **Date of Patent:** **** *Jun. 26, 2012**

(54) **TABLE**

(75) Inventor: **Peter Schultz**, Barto, PA (US)

(73) Assignee: **Richard Schultz Design, Inc.**, Palm, PA (US)

(*) Notice: This patent is subject to a terminal disclaimer.

(**) Term: **14 Years**

(21) Appl. No.: **29/373,122**

(22) Filed: **Mar. 2, 2011**

(51) **LOC (9) Cl.** **06-03**

(52) **U.S. Cl.** **D6/484**

(58) **Field of Classification Search** D6/480-489,
D6/495-499, 429, 426; 108/150, 50.01,
108/50.02, 155, 153.1, 156, 157.13, 161,
108/157.14; 248/188, 188.1, 174

See application file for complete search history.

(56) **References Cited**

U.S. PATENT DOCUMENTS

D210,735 S * 4/1968 Magistretti D6/461
D216,711 S * 3/1970 Schultz D6/484

D228,106 S * 8/1973 Klotz et al. D6/484
D380,320 S * 7/1997 Grazioli D6/480
D624,336 S * 9/2010 Schultz D6/484

* cited by examiner

Primary Examiner — Janice Seeger

(74) *Attorney, Agent, or Firm* — Thomas A. O'Rourke;
Bodner & O'Rourke, LLP

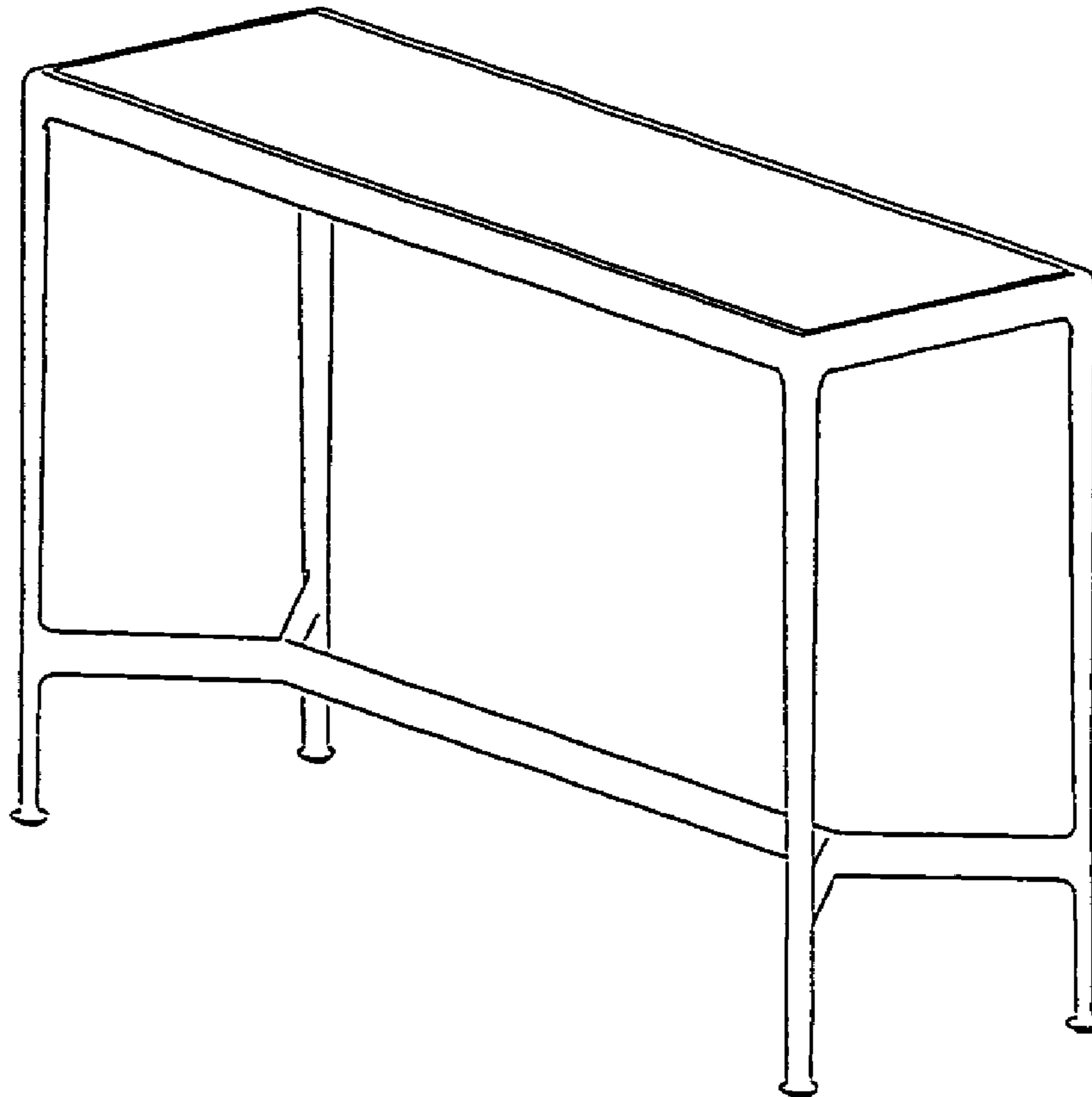
(57) **CLAIM**

The ornamental design for a table, as shown and described.

DESCRIPTION

FIG. 1 is a perspective view of a table of the present invention;
FIG. 2 is a front and back view thereof;
FIG. 3 is a side view thereof;
FIG. 4 is a top view thereof;
FIG. 5 is a perspective view of an alternate embodiment of a
table of the present invention;
FIG. 6 is a front and back view thereof;
FIG. 7 is a side view thereof;
FIG. 8 is a top view thereof;
FIG. 9 is a perspective view of a second alternate embodiment
of a table of the present invention;
FIG. 10 is a front and back view thereof;
FIG. 11 is a side view thereof; and,
FIG. 12 is a top view thereof.

1 Claim, 12 Drawing Sheets



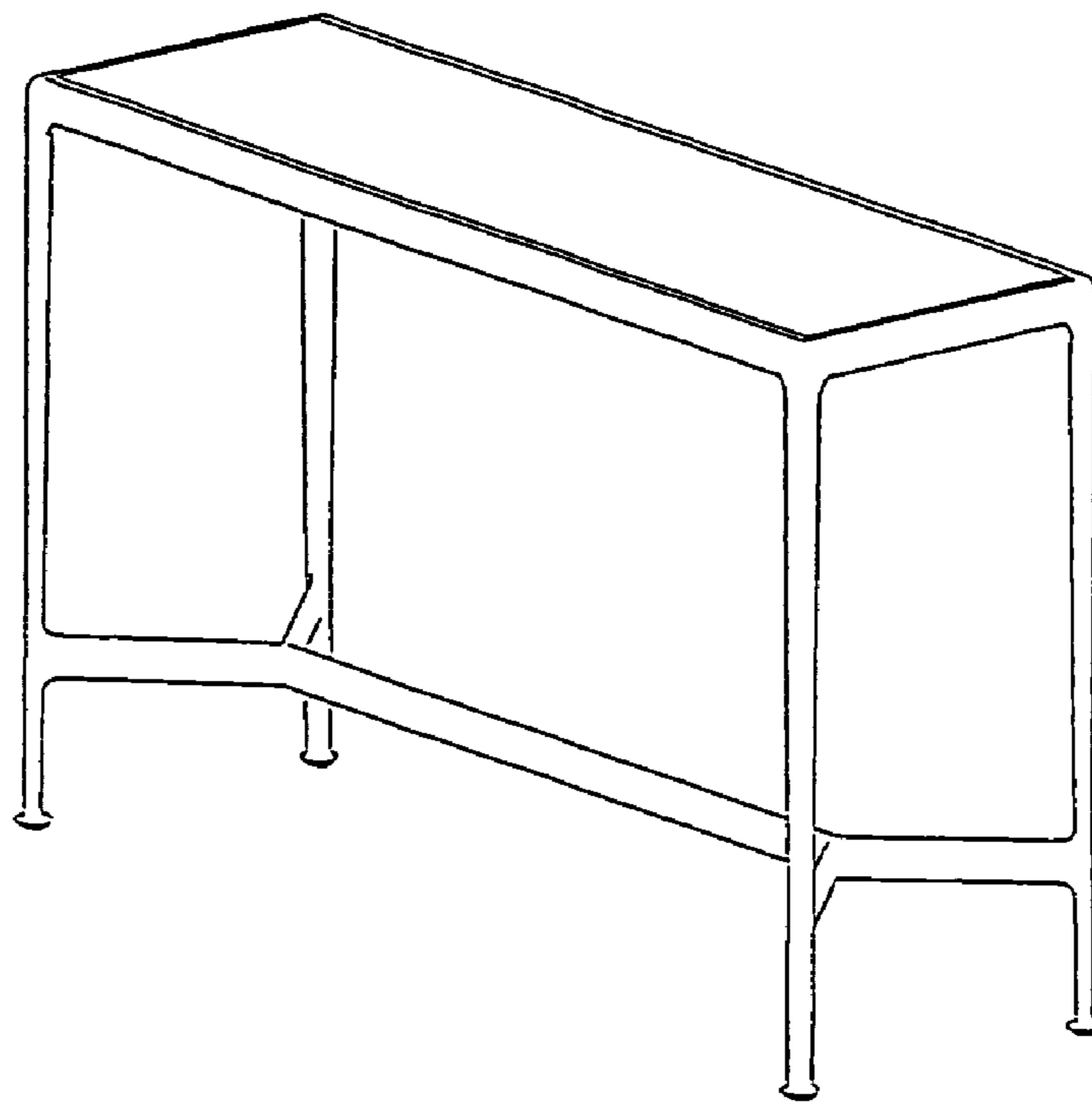


Fig. 1

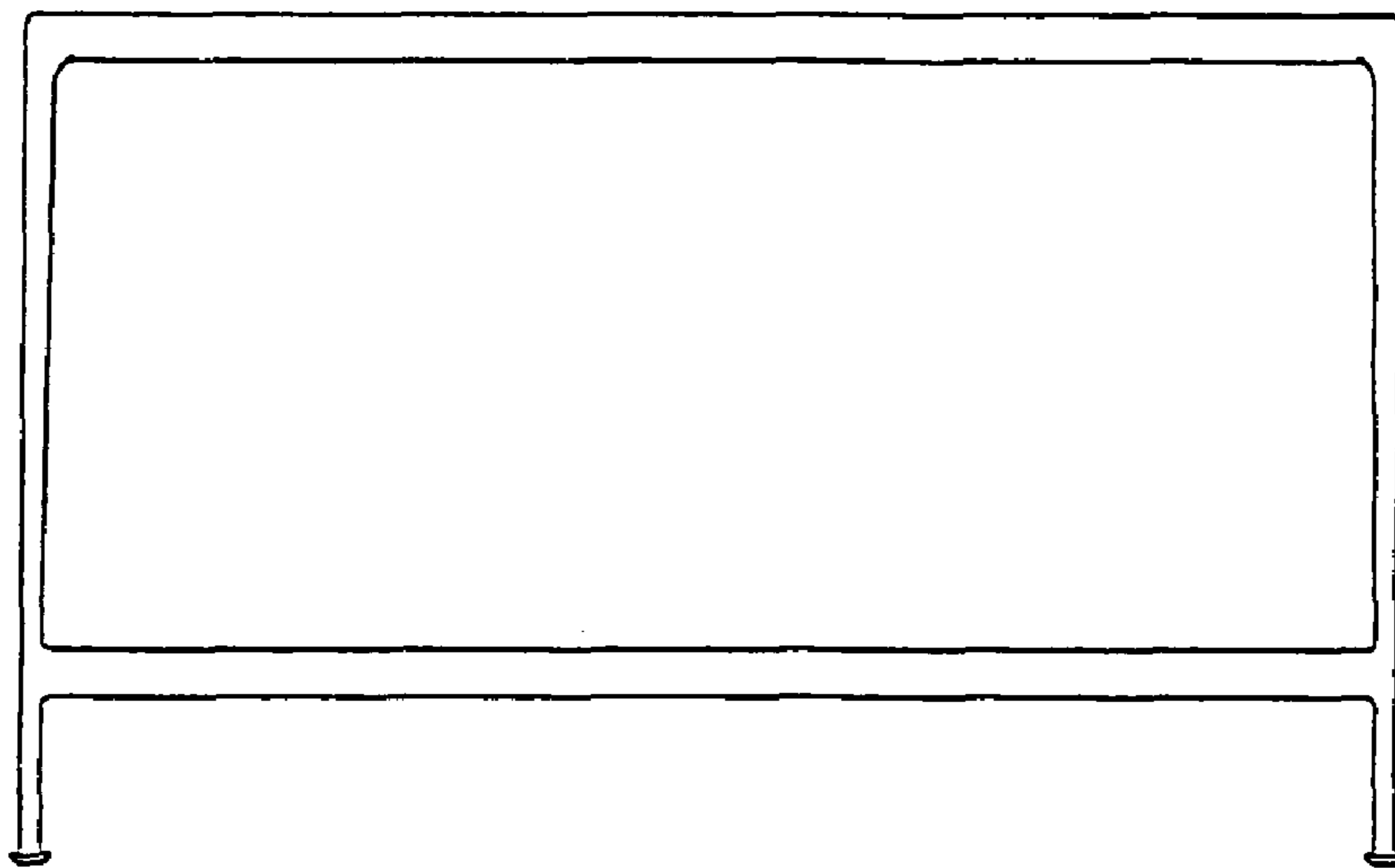


Fig. 2

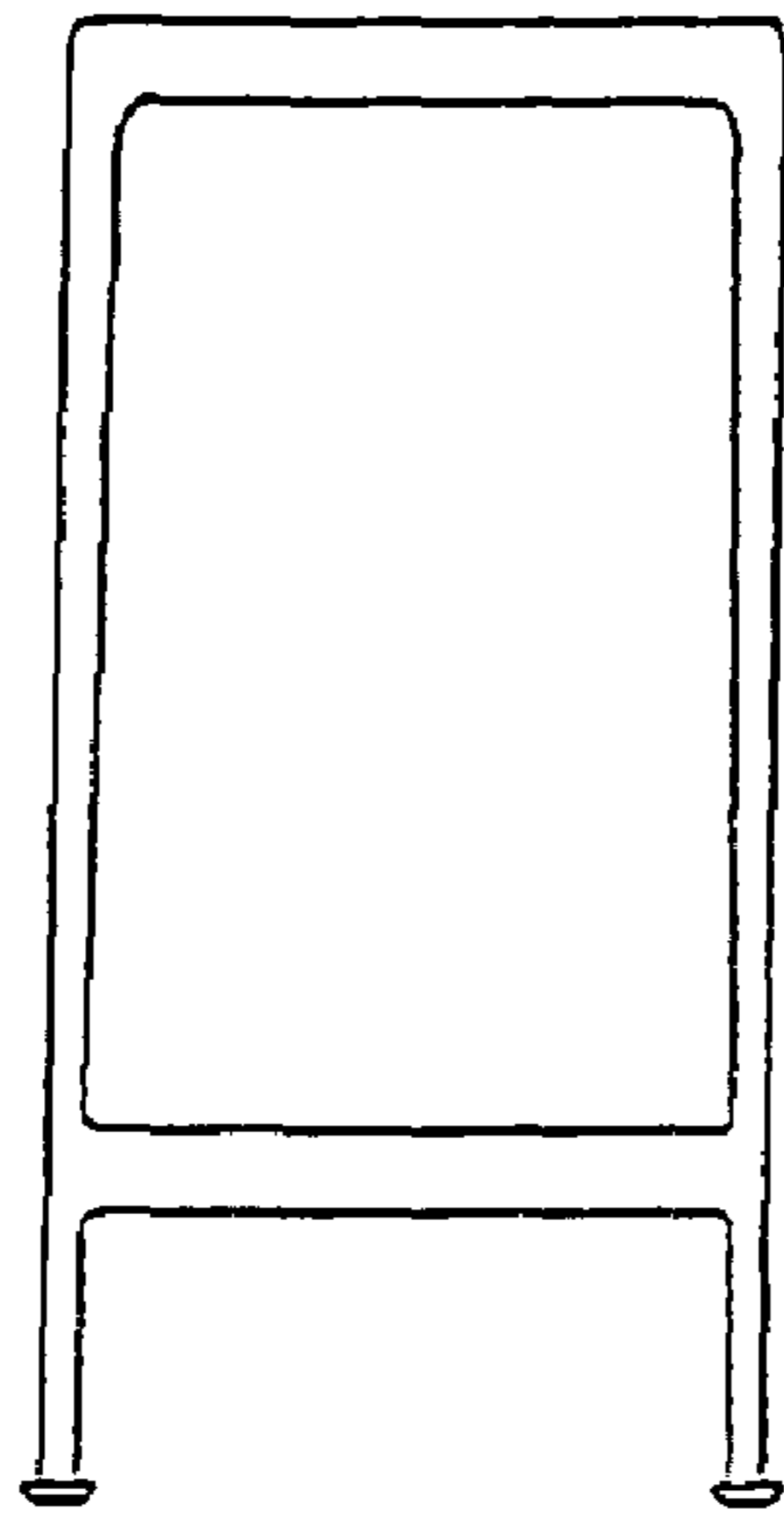


Fig. 3

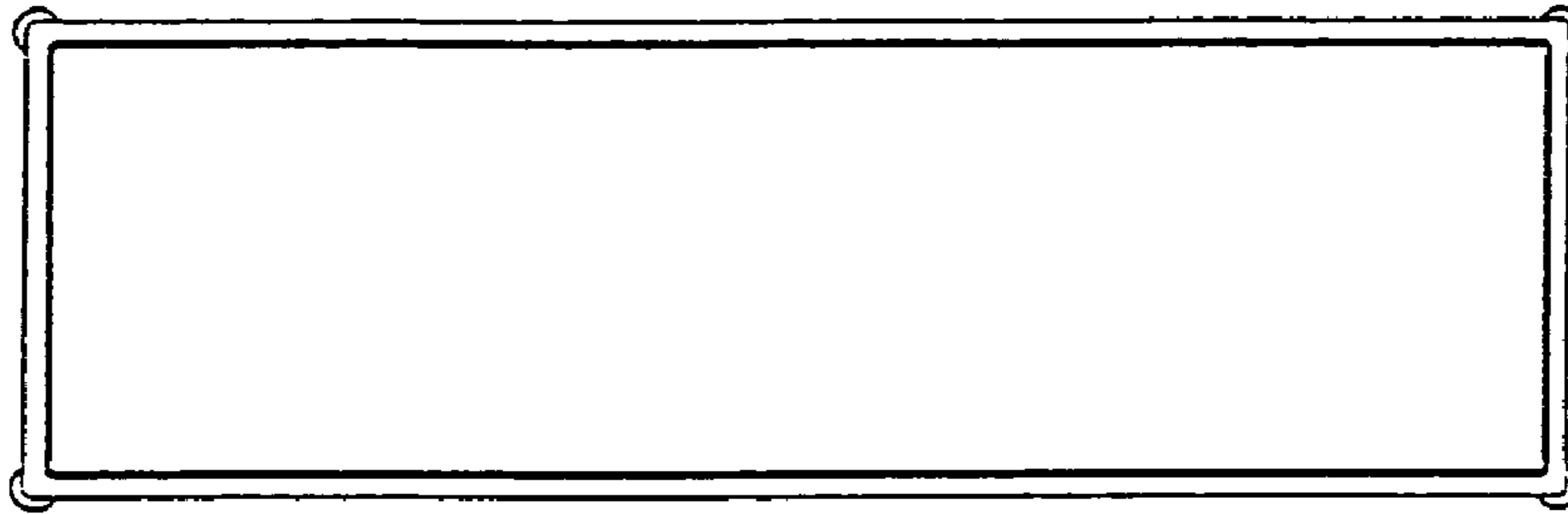


Fig.4

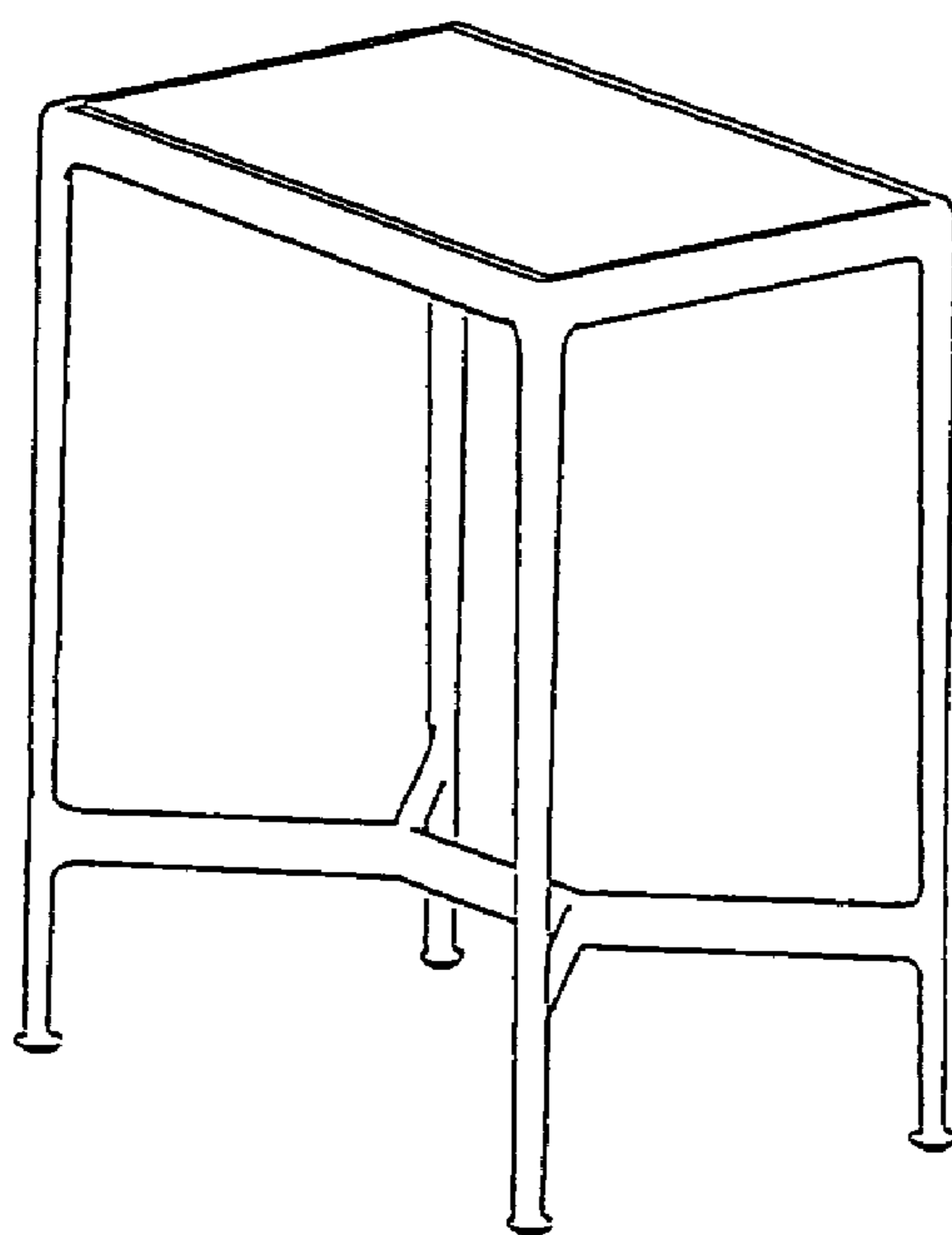


Fig. 5

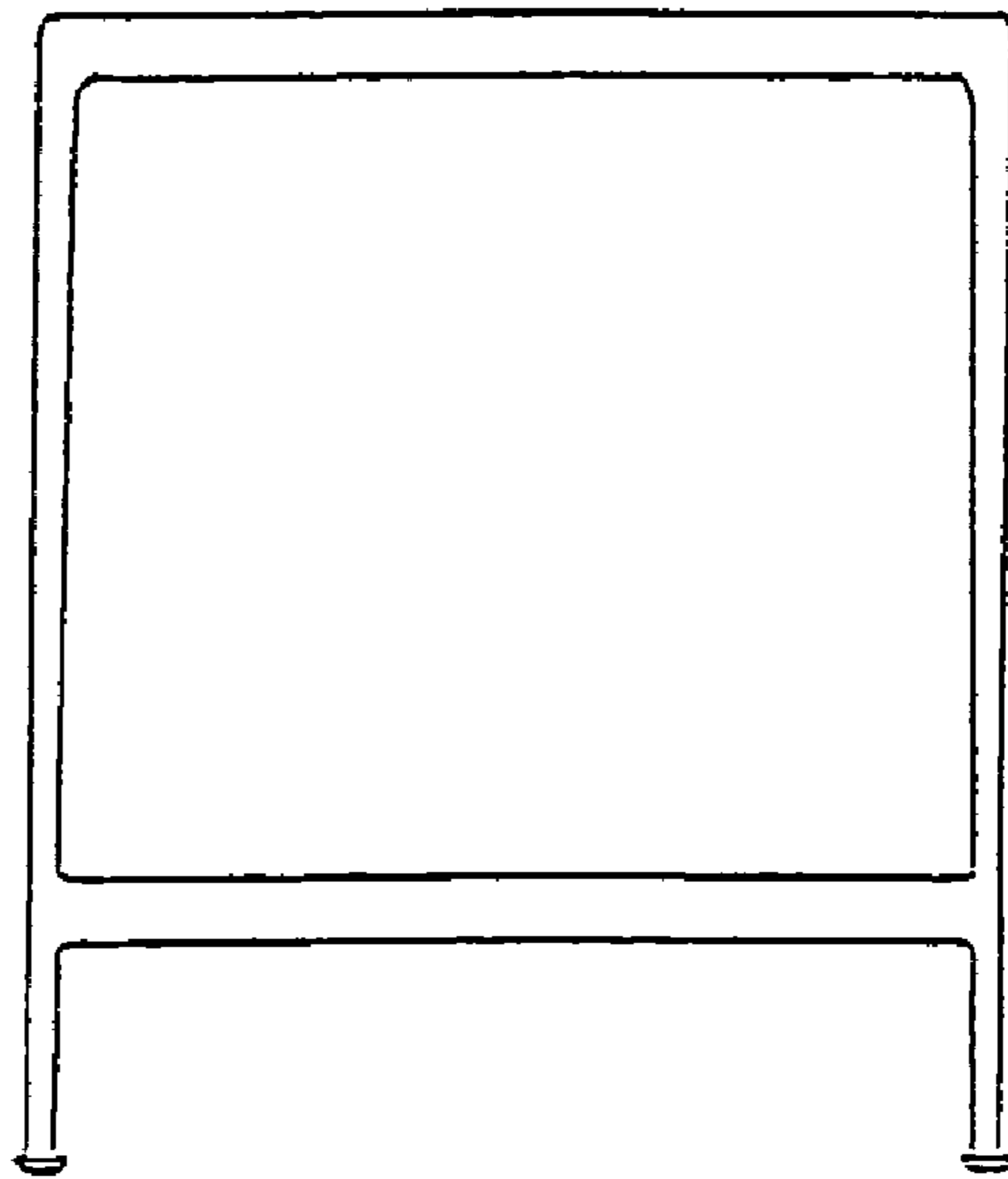


Fig. 6

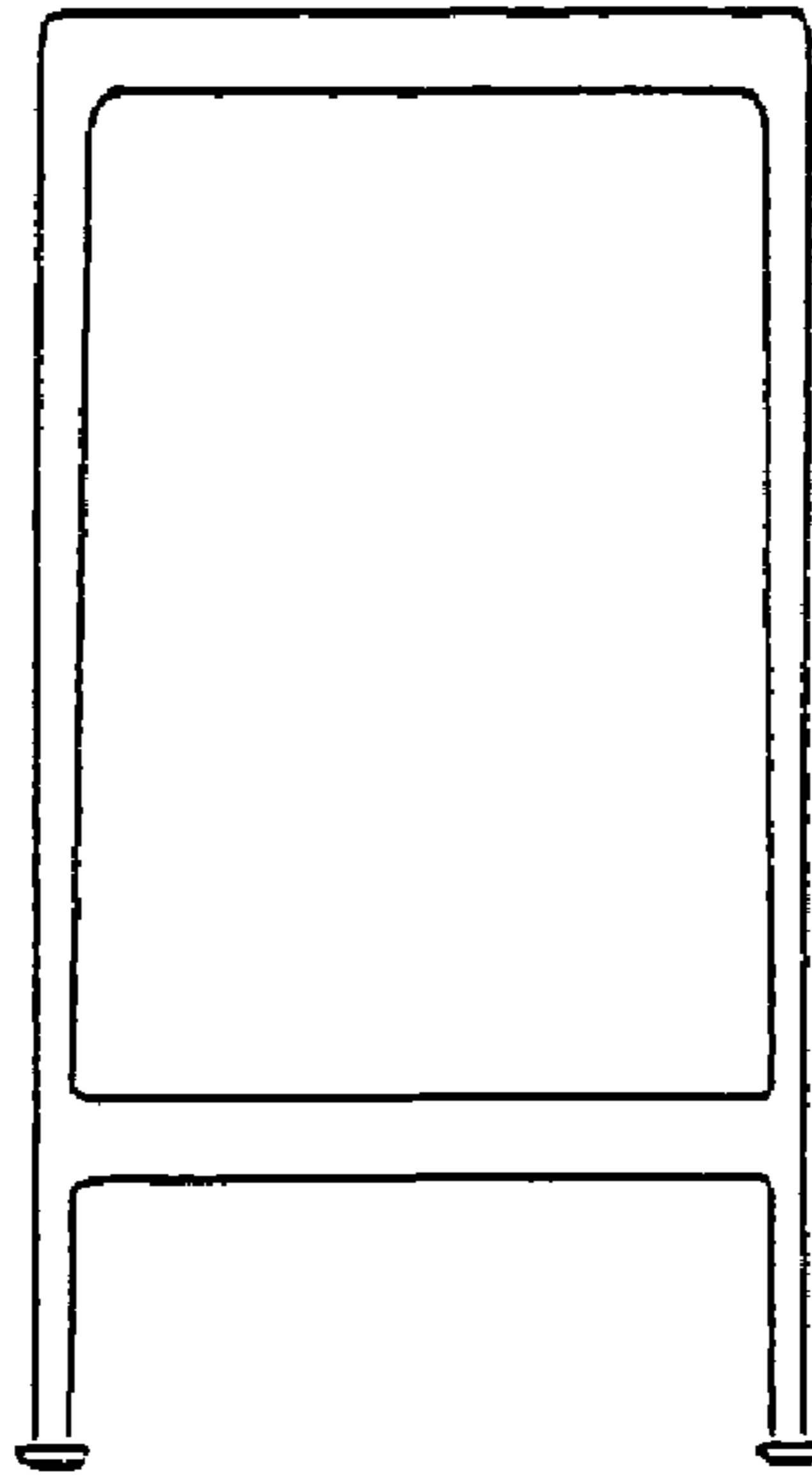


Fig. 7

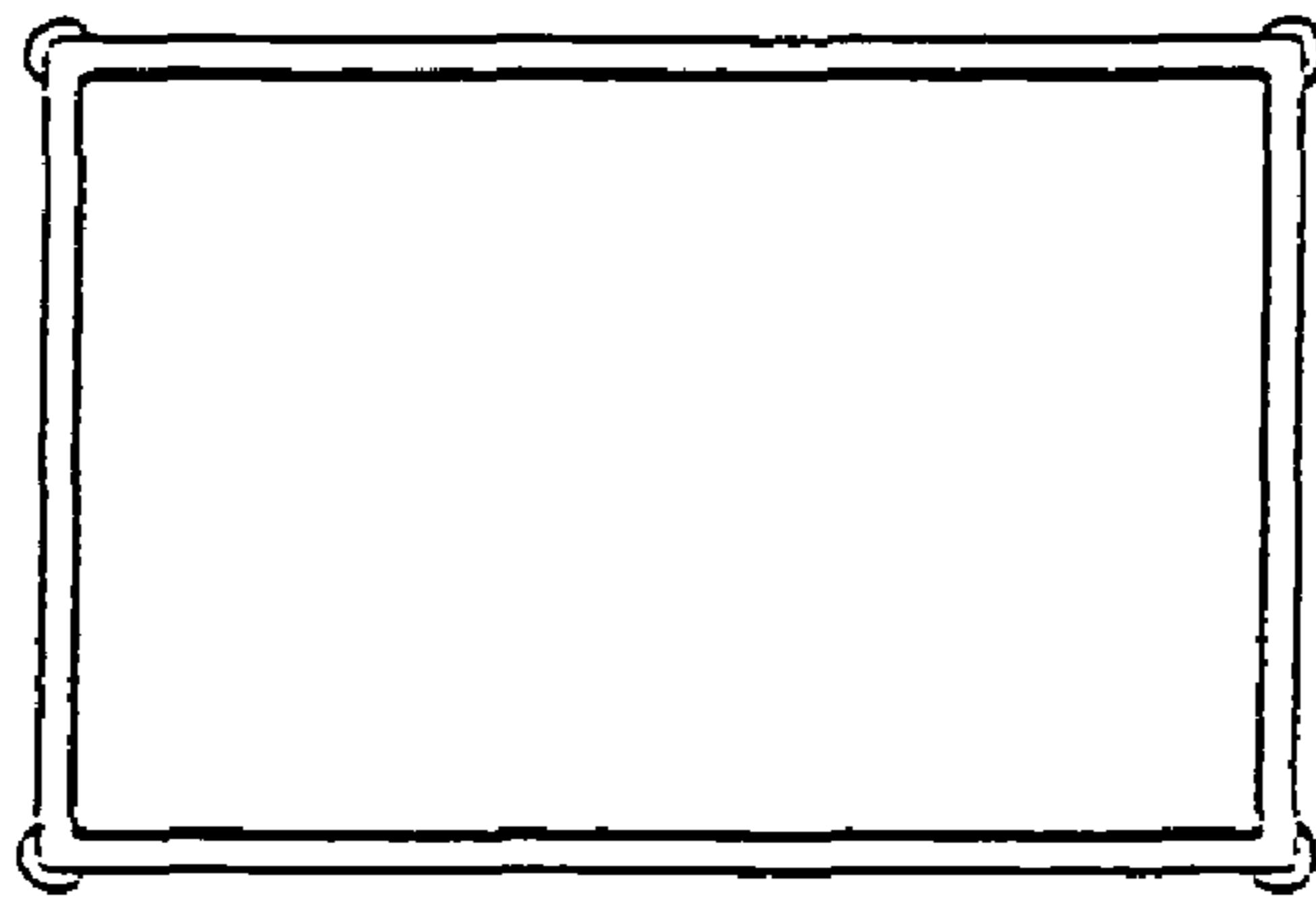


Fig. 8

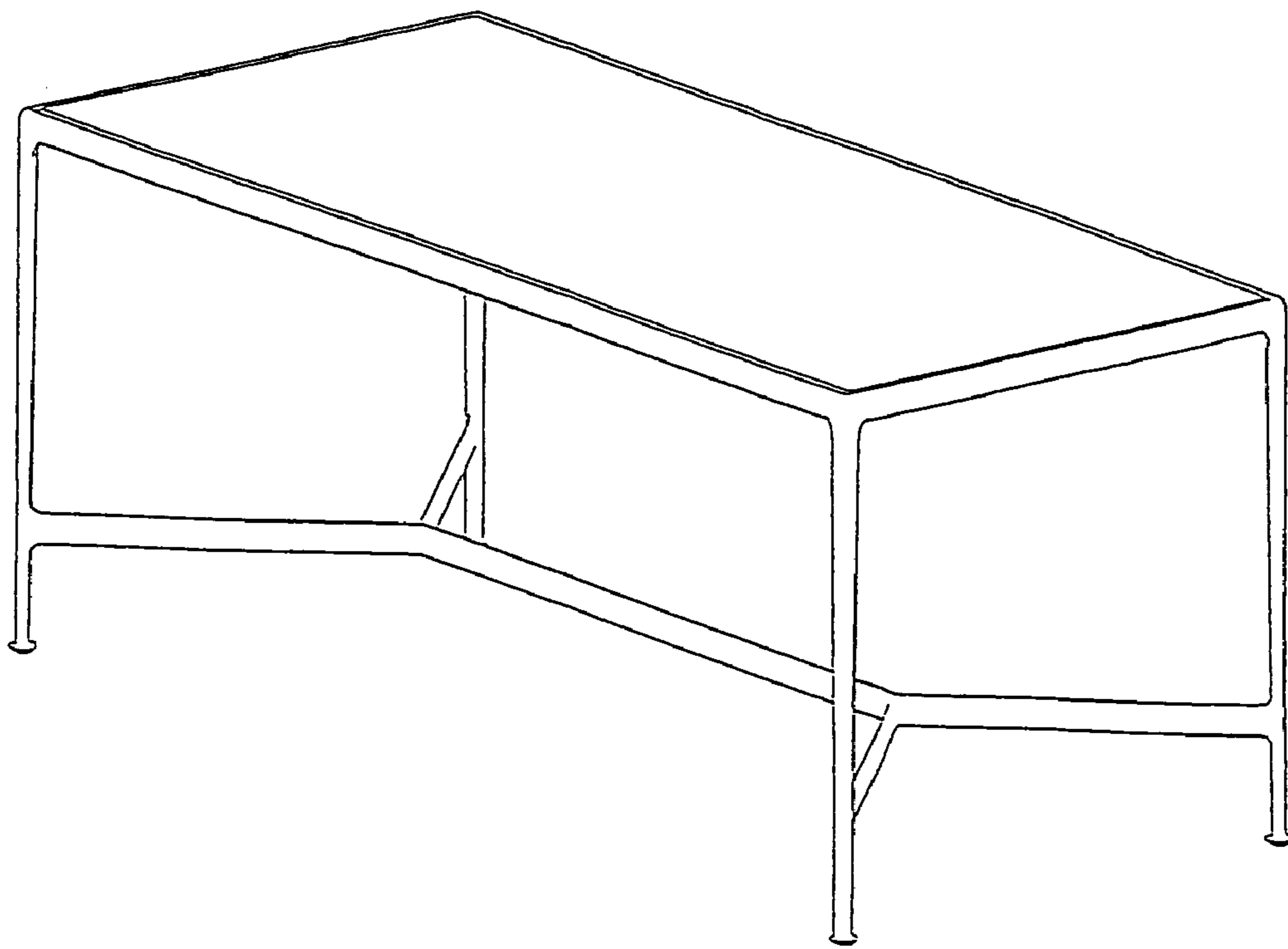


Fig. 9

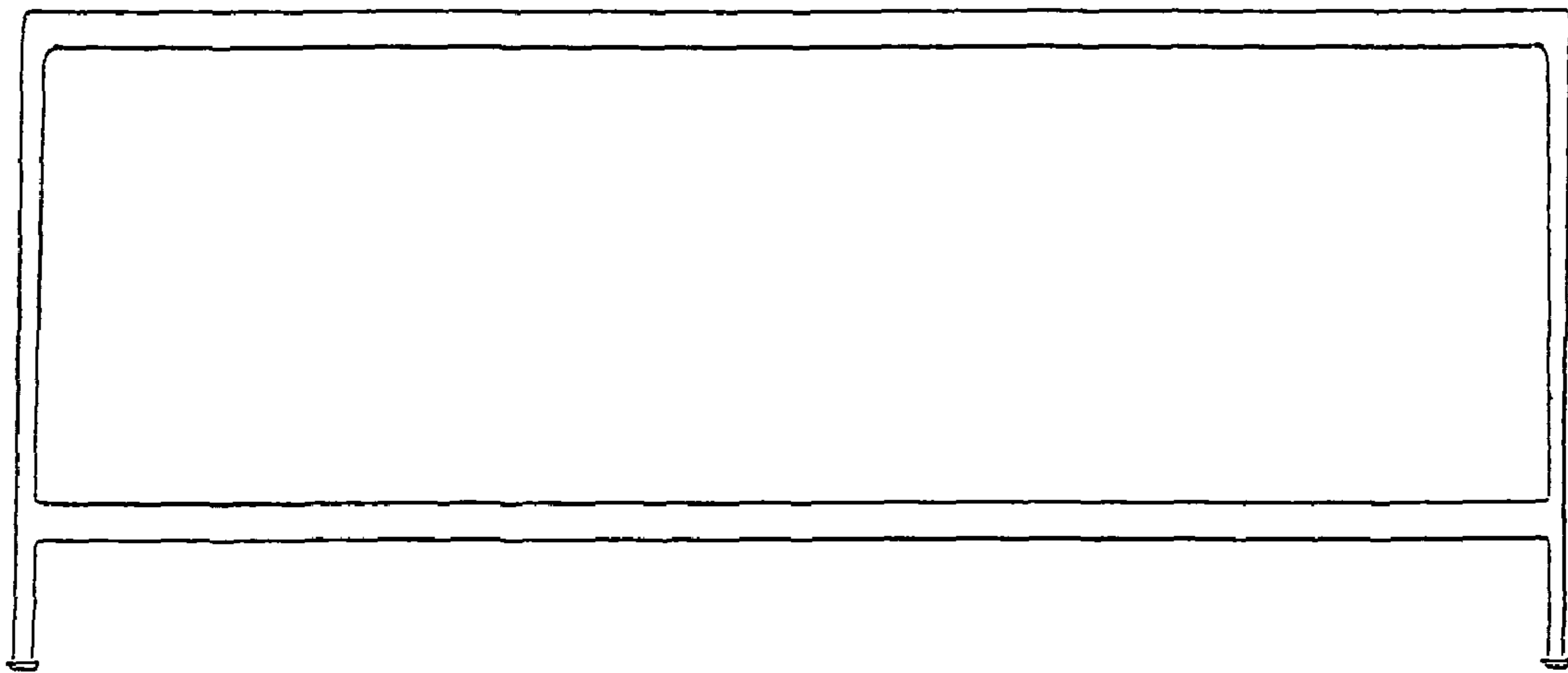


Fig. 10

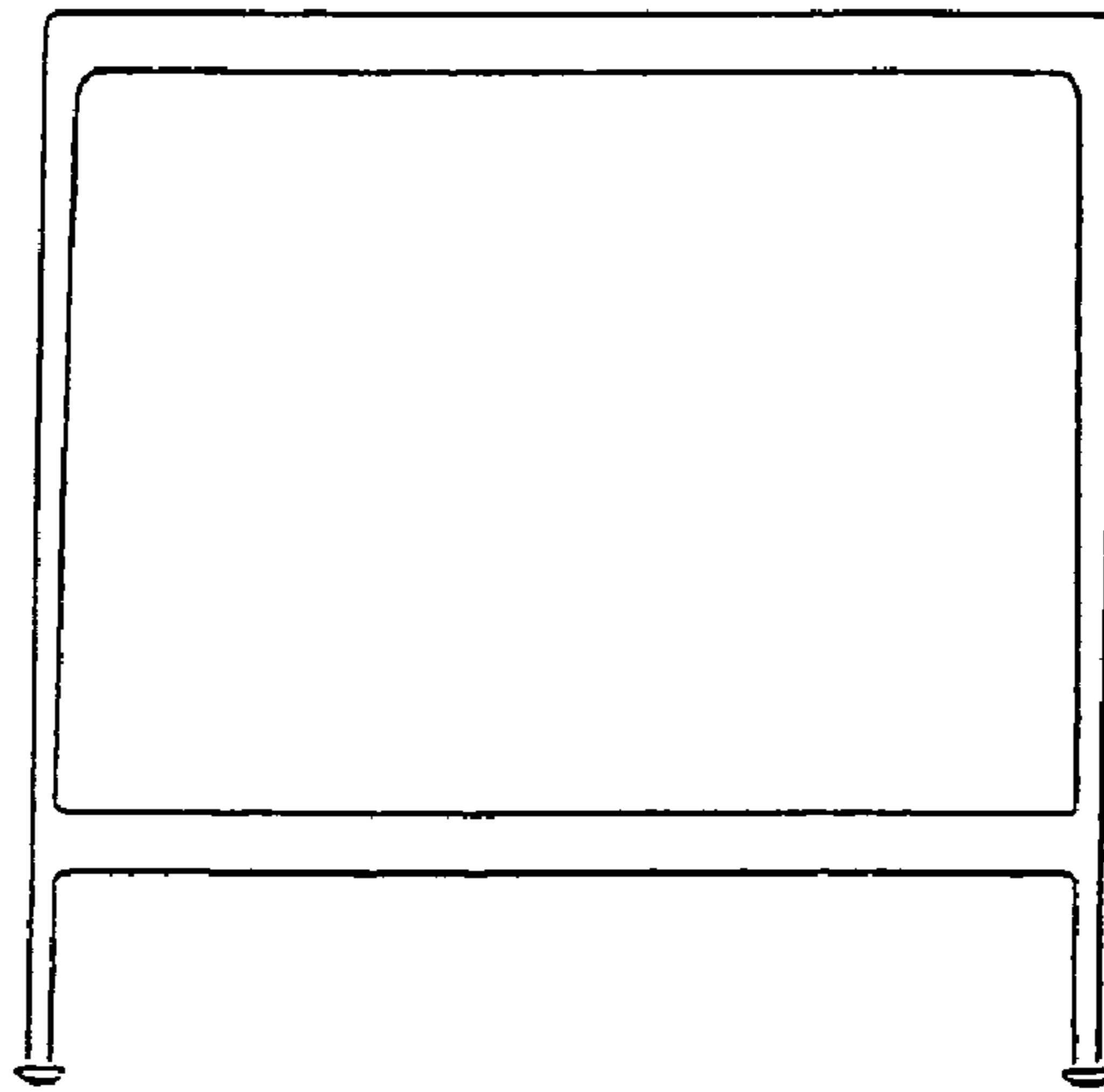


Fig. 11

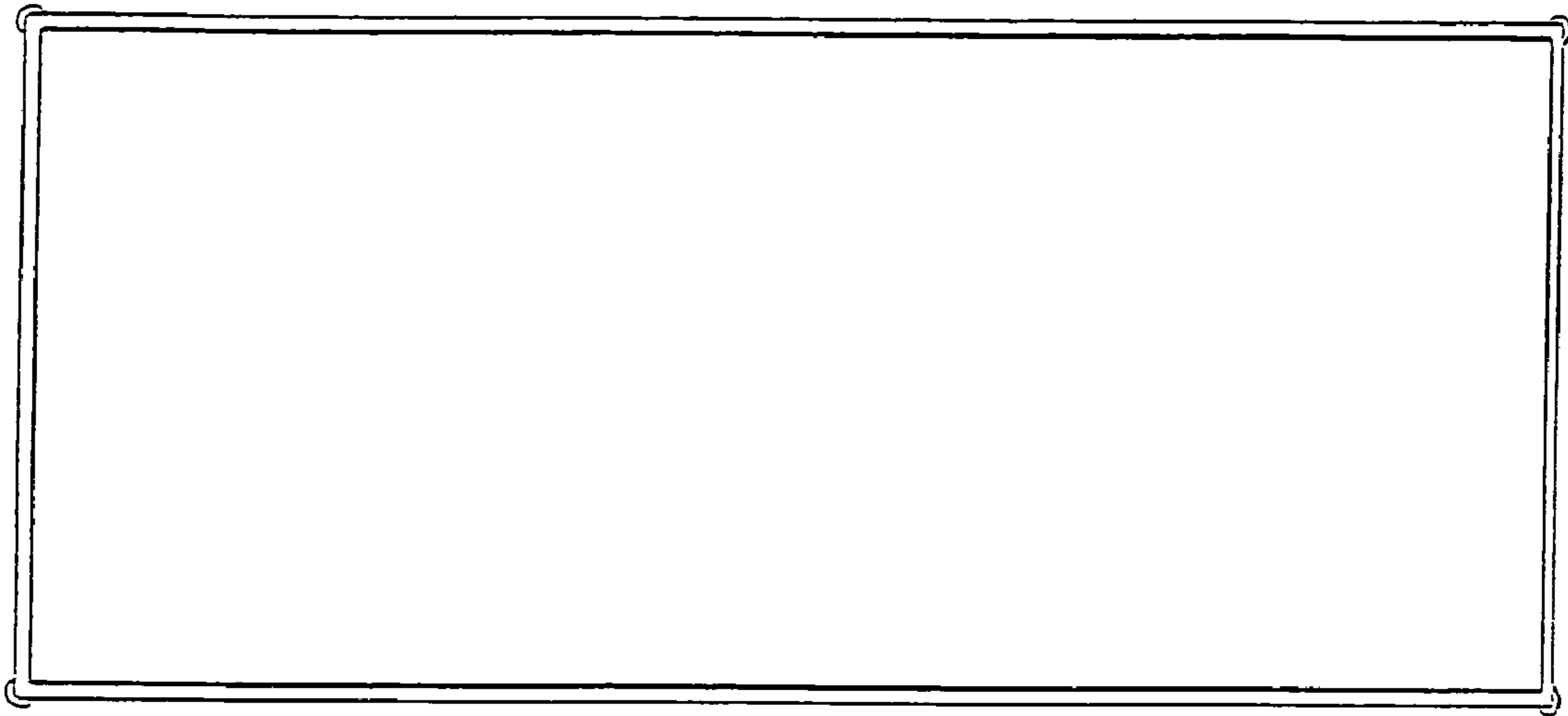


Fig. 12