

US00D662331S

(12) **United States Design Patent**  
**Czumaj-Bront et al.**

(10) **Patent No.:** **US D662,331 S**  
(45) **Date of Patent:** **\*\* Jun. 26, 2012**

- (54) **OFFICE CHAIR**
- (75) Inventors: **Nicolai Czumaj-Bront**, Grand Rapids, MI (US); **Michael W. Welsh**, Rockford, MI (US)
- (73) Assignee: **Haworth, Inc.**, Holland, MI (US)
- (\*\*) Term: **14 Years**
- (21) Appl. No.: **29/411,128**
- (22) Filed: **Jan. 17, 2012**

**Related U.S. Application Data**

- (62) Division of application No. 29/349,720, filed on Apr. 26, 2010, now Pat. No. Des. 655,522.
- (51) **LOC (9) Cl.** ..... **06-01**
- (52) **U.S. Cl.** ..... **D6/366**
- (58) **Field of Classification Search** ..... D6/334-336, D6/360-369, 373-380, 489, 500-502, 601; 297/284.1-284.5, 291, 297-299, 300.4-300.5, 297/301.3, 354.1, 411.2, 411.27-411.29, 297/452.13, 452.19, 452.21, 452.29, 452.3, 297/452.56, 452.64  
See application file for complete search history.

(56) **References Cited**

**U.S. PATENT DOCUMENTS**

|              |         |                   |        |
|--------------|---------|-------------------|--------|
| D418,316 S   | 1/2000  | Vogtherr          |        |
| D444,309 S   | 7/2001  | Nagamitsu         |        |
| D446,397 S   | 8/2001  | Pennington et al. |        |
| D476,493 S   | 7/2003  | Nagamitsu         |        |
| D476,820 S   | 7/2003  | Nagamitsu         |        |
| D476,821 S * | 7/2003  | Koepke et al.     | D6/366 |
| D479,416 S   | 9/2003  | Raftery           |        |
| D482,220 S   | 11/2003 | Grove             |        |
| D505,024 S   | 5/2005  | Bellin            |        |
| 6,935,689 B2 | 8/2005  | Horiki et al.     |        |
| D509,671 S   | 9/2005  | Olson et al.      |        |
| D509,969 S   | 9/2005  | Loew et al.       |        |
| D528,811 S * | 9/2006  | Giugiaro          | D6/366 |
| D534,383 S   | 1/2007  | Chu               |        |
| D536,890 S * | 2/2007  | Loew et al.       | D6/366 |
| D543,041 S   | 5/2007  | Hara              |        |

|              |         |                    |        |
|--------------|---------|--------------------|--------|
| D543,042 S   | 5/2007  | Hara               |        |
| D543,736 S   | 6/2007  | Shields            |        |
| D557,917 S   | 12/2007 | Nakamura et al.    |        |
| D558,994 S   | 1/2008  | Machael et al.     |        |
| D559,573 S * | 1/2008  | Igarashi           | D6/366 |
| D559,574 S * | 1/2008  | Igarashi           | D6/366 |
| D561,499 S   | 2/2008  | Schweikarth et al. |        |
| D563,687 S * | 3/2008  | Neil               | D6/366 |
| D567,522 S * | 4/2008  | Igarashi           | D6/366 |
| D568,623 S * | 5/2008  | Dauphin            | D6/366 |
| D571,568 S   | 6/2008  | Overthun et al.    |        |
| D576,812 S * | 9/2008  | Van Severen        | D6/366 |
| D576,814 S * | 9/2008  | Baldanzi et al.    | D6/366 |
| D577,934 S   | 10/2008 | Raftery et al.     |        |
| D582,170 S * | 12/2008 | Chi                | D6/366 |
| D595,970 S * | 7/2009  | Ueda               | D6/366 |
| D595,971 S * | 7/2009  | Ueda               | D6/366 |
| D596,418 S * | 7/2009  | Ueda               | D6/366 |
| D597,349 S   | 8/2009  | Wilkinson et al.   |        |
| D600,462 S * | 9/2009  | Ooki et al.        | D6/366 |
| D601,372 S   | 10/2009 | Kim                |        |
| D607,653 S   | 1/2010  | Wilkinson et al.   |        |
| D607,672 S * | 1/2010  | Kubryk             | D6/500 |

(Continued)

*Primary Examiner* — Ricky Pham

(74) *Attorney, Agent, or Firm* — Warner Norcross & Judd LLP

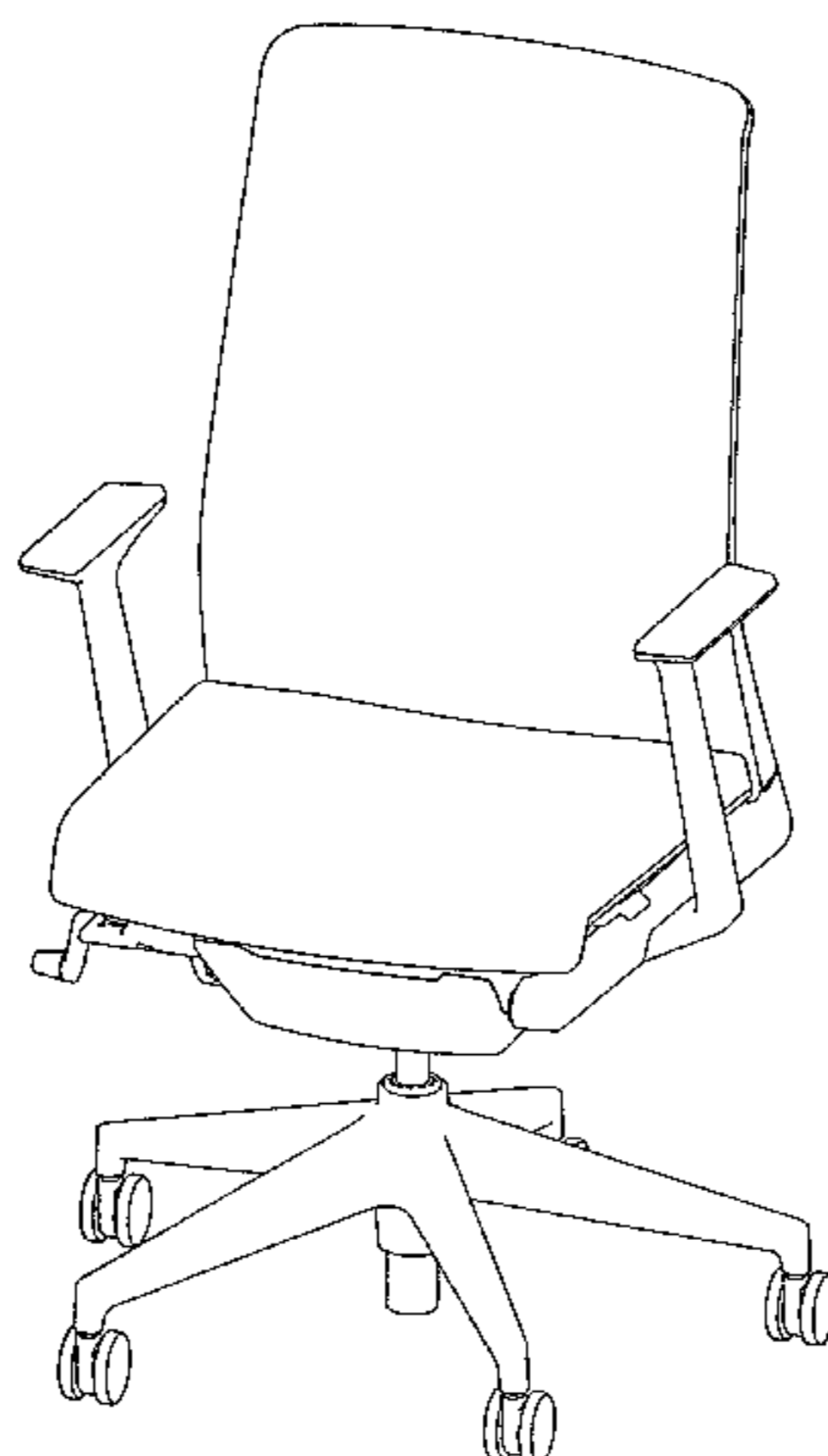
(57) **CLAIM**

An ornamental design for an office chair, as shown and described in the attached drawings.

**DESCRIPTION**

FIG. 1 is a right, front perspective view of a first embodiment of an office chair embodying our design;  
 FIG. 2 is a front view thereof;  
 FIG. 3 is a rear view thereof;  
 FIG. 4 is a left side view thereof;  
 FIG. 5 is a right side view thereof;  
 FIG. 6 is a right, front perspective view of a second embodiment of an office chair embodying our design;  
 FIG. 7 is a front view thereof;  
 FIG. 8 is a rear view thereof;  
 FIG. 9 is a left side view thereof; and,  
 FIG. 10 is a right side view thereof.

**1 Claim, 10 Drawing Sheets**



# US D662,331 S

Page 2

---

## U.S. PATENT DOCUMENTS

|              |         |                  |        |              |        |                          |        |
|--------------|---------|------------------|--------|--------------|--------|--------------------------|--------|
| D609,021 S * | 2/2010  | Ooki et al. .... | D6/366 | D654,280 S * | 2/2012 | Fujita .....             | D6/366 |
| D634,558 S * | 3/2011  | Deisig .....     | D6/366 | D654,709 S * | 2/2012 | Fujita .....             | D6/366 |
| D646,093 S * | 10/2011 | Collinson .....  | D6/502 | D654,710 S * | 2/2012 | Fujita .....             | D6/366 |
| D648,552 S * | 11/2011 | Izawa .....      | D6/366 | D654,711 S * | 2/2012 | Fujita .....             | D6/366 |
| D652,646 S * | 1/2012  | Fujita .....     | D6/366 | D655,522 S * | 3/2012 | Czumaj-Brort et al. .... | D6/366 |

\* cited by examiner

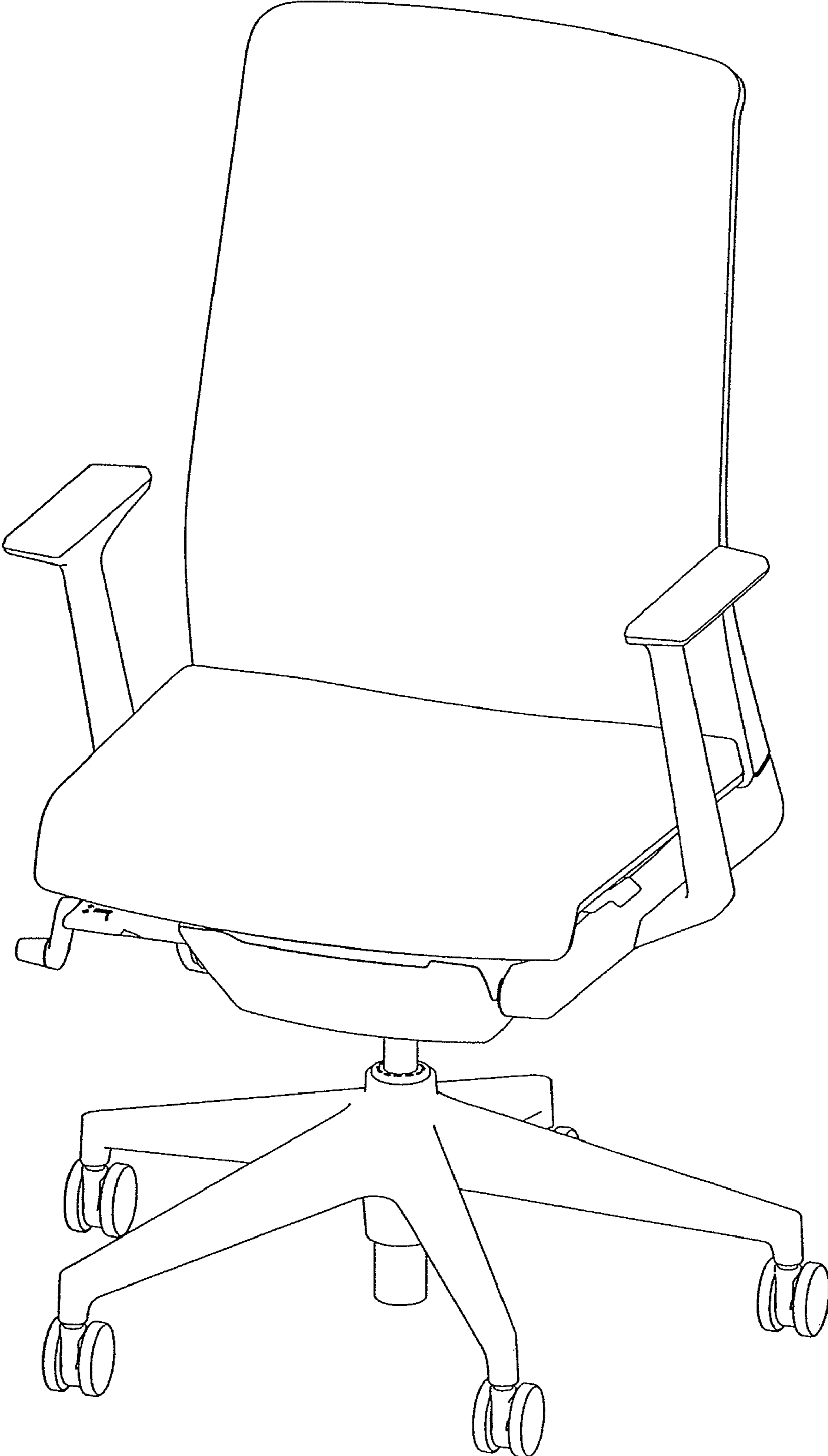


FIG. 1

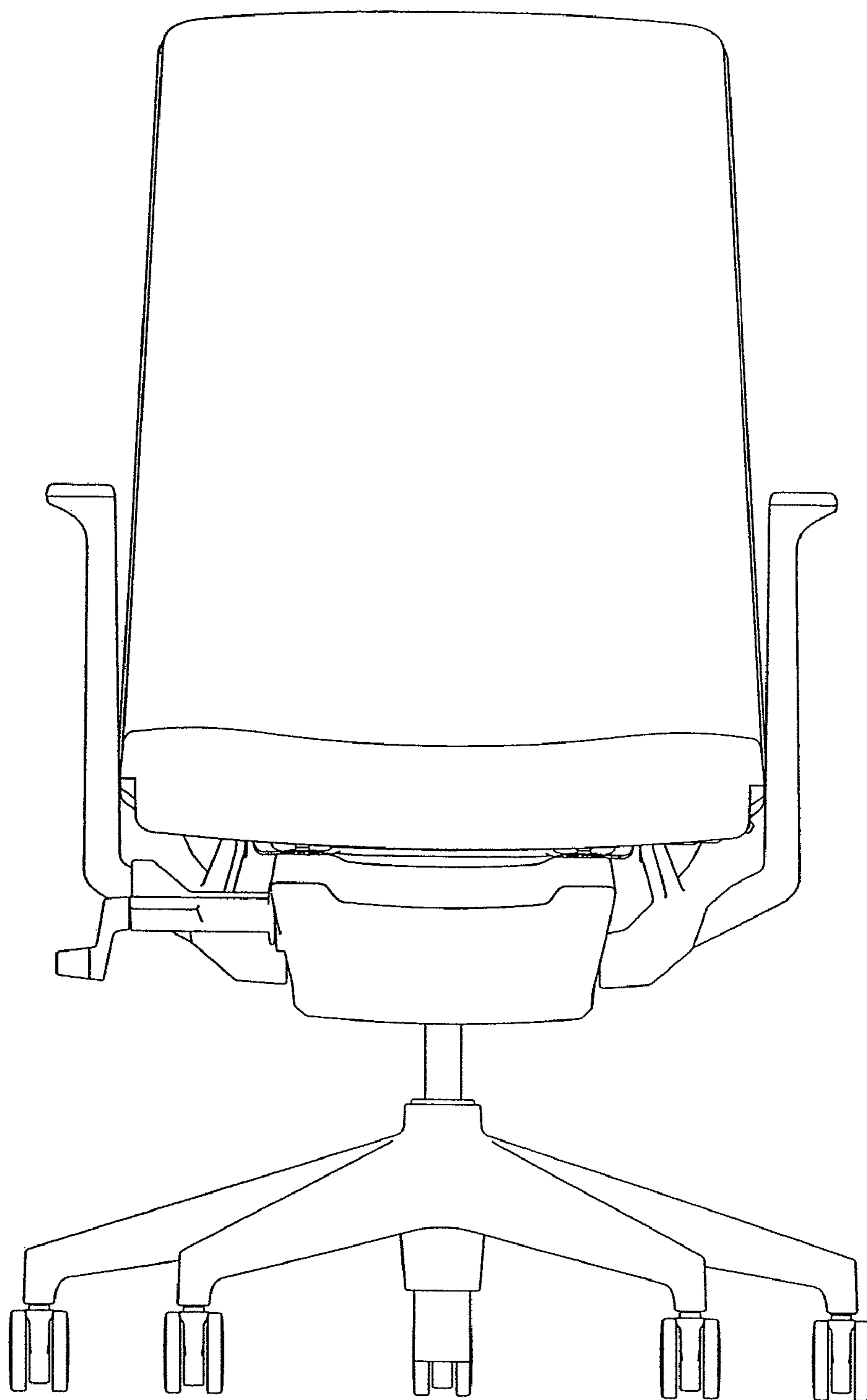


FIG. 2

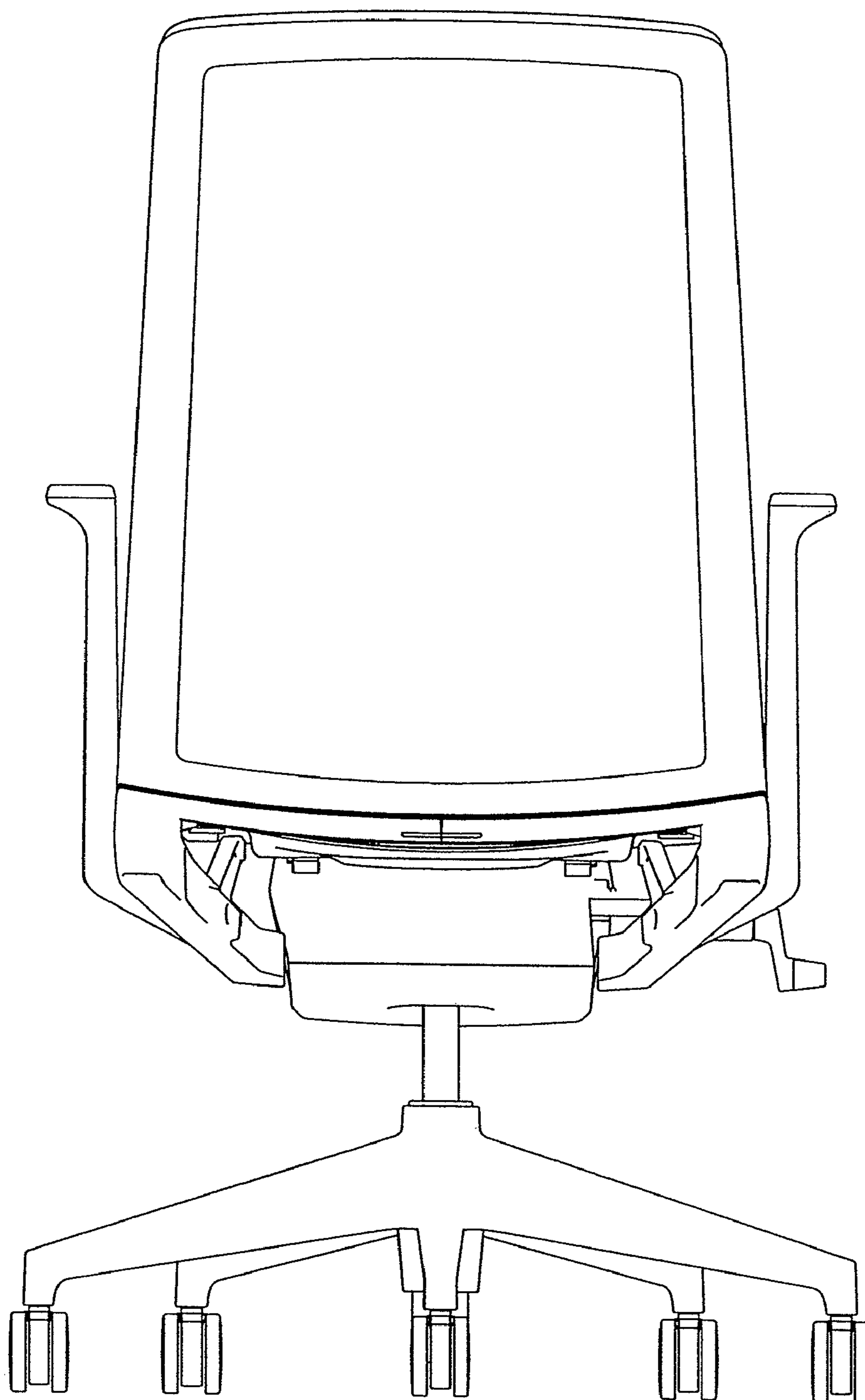


FIG. 3

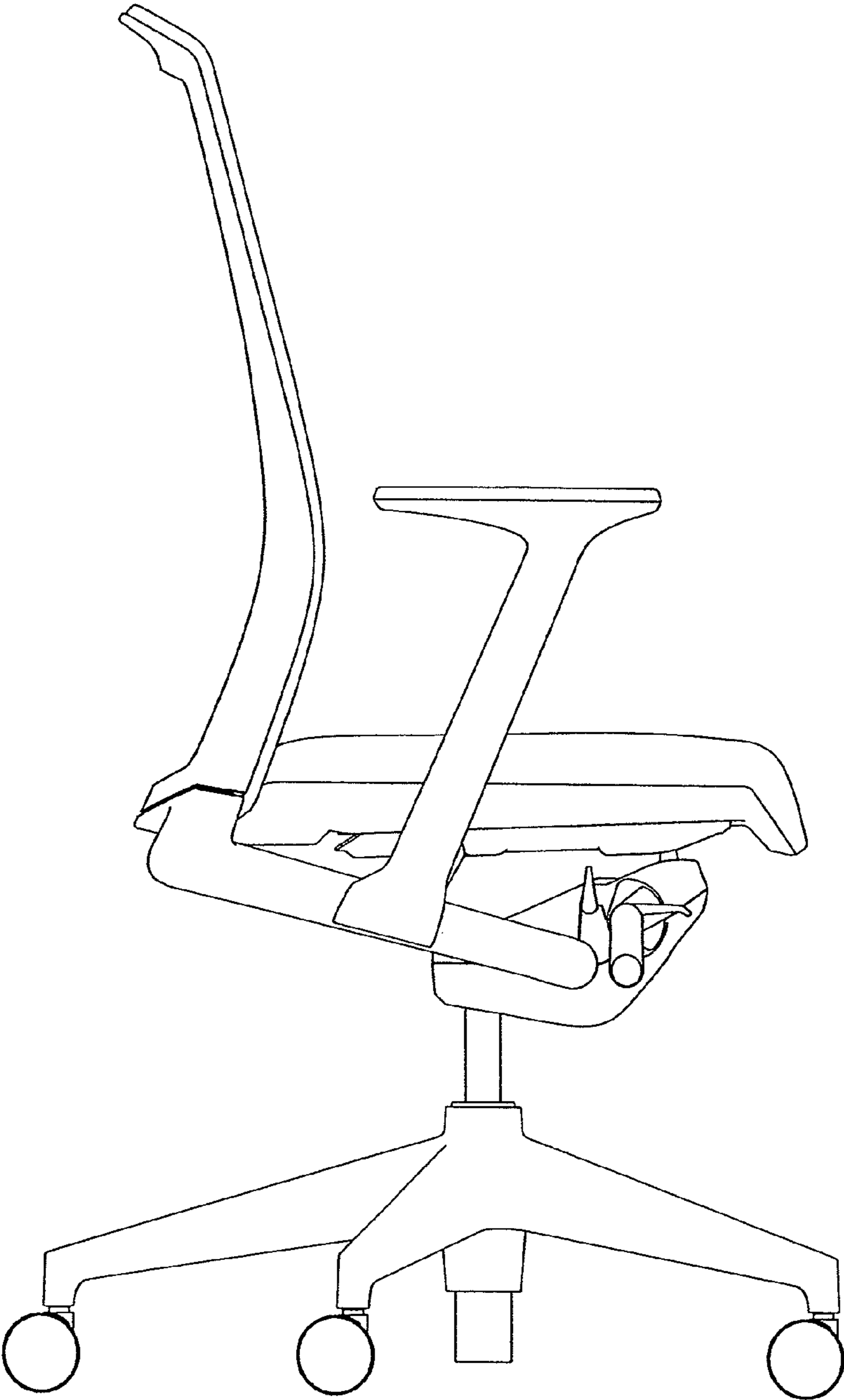


FIG. 4

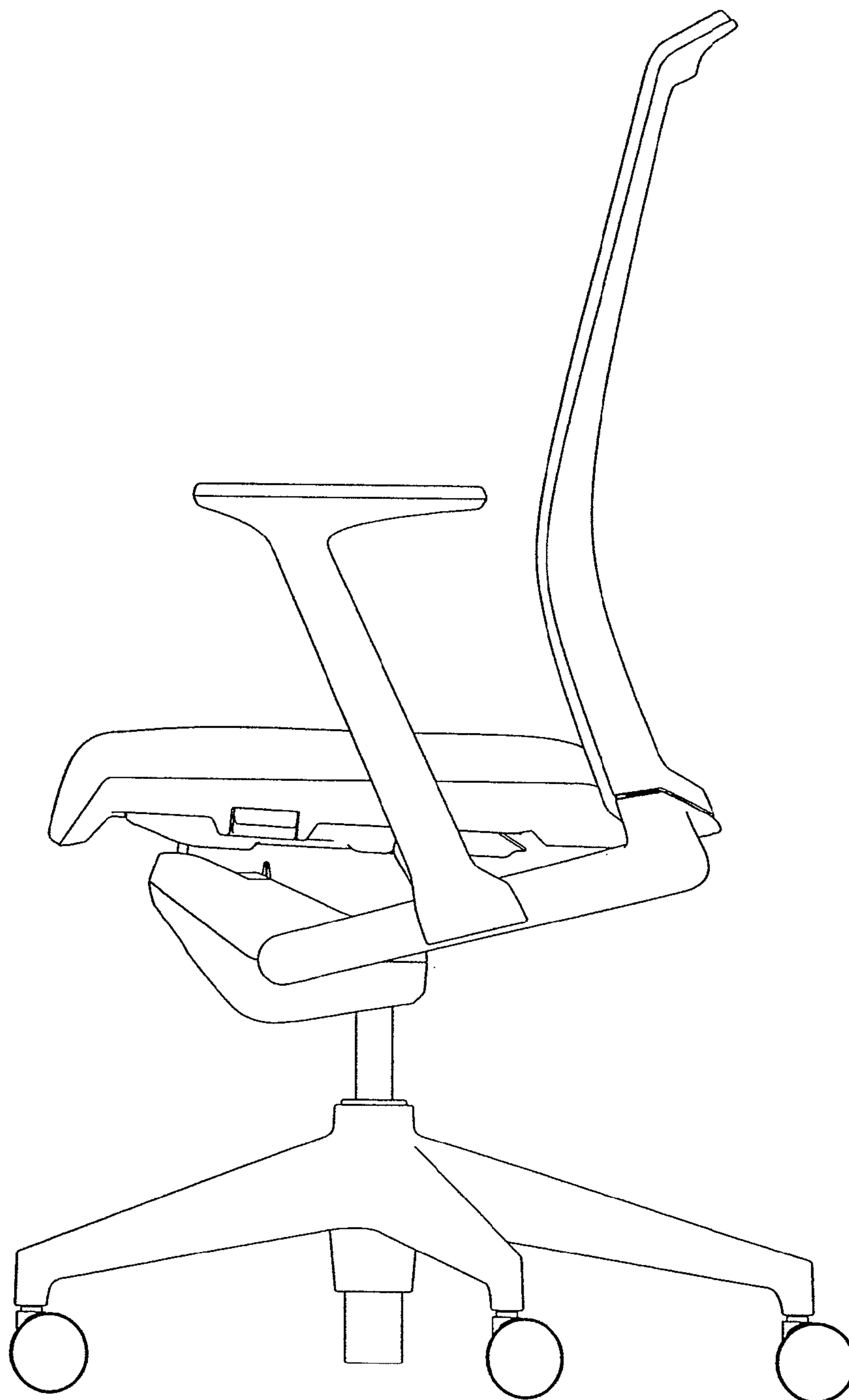


FIG. 5

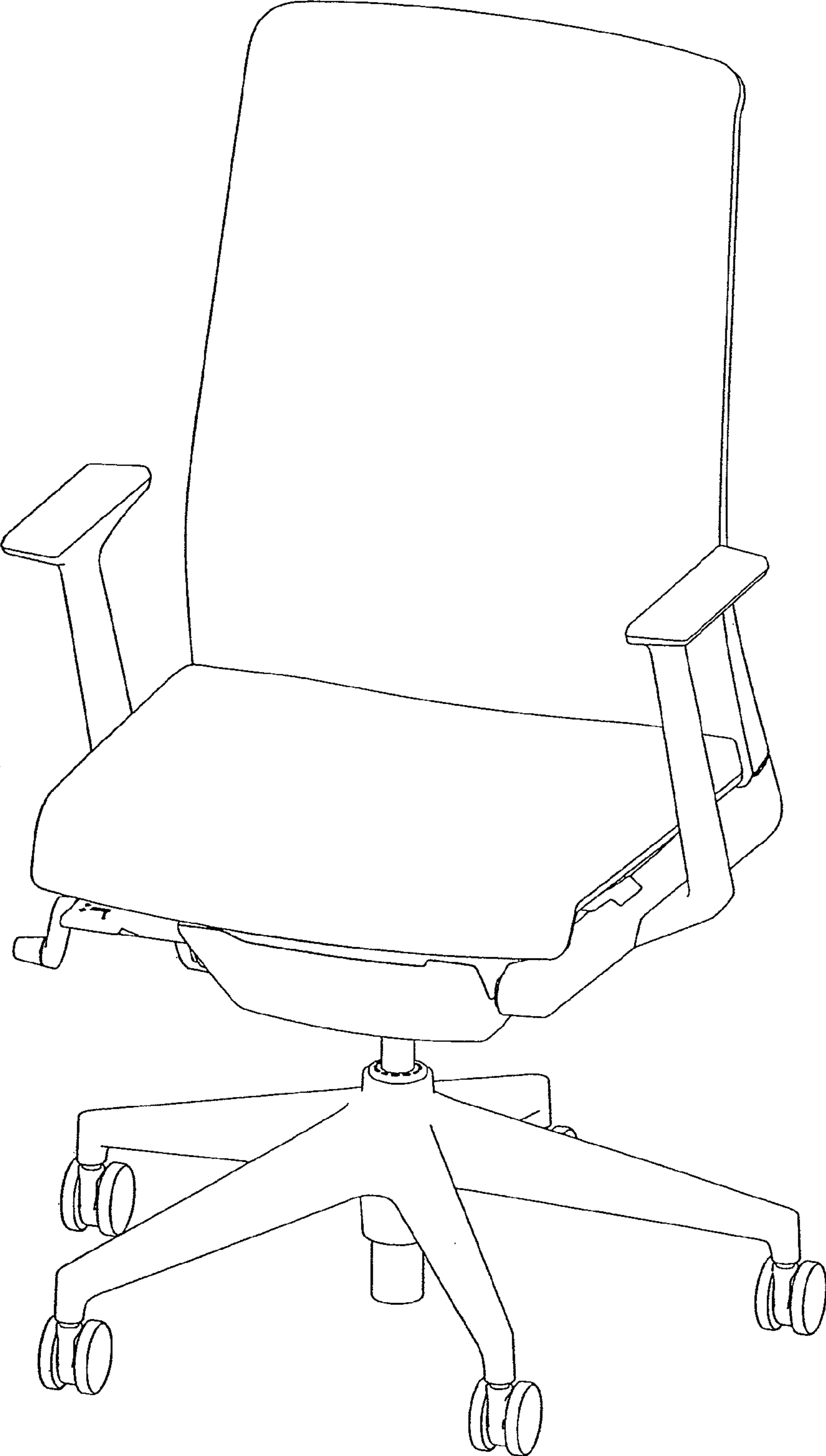


FIG. 6



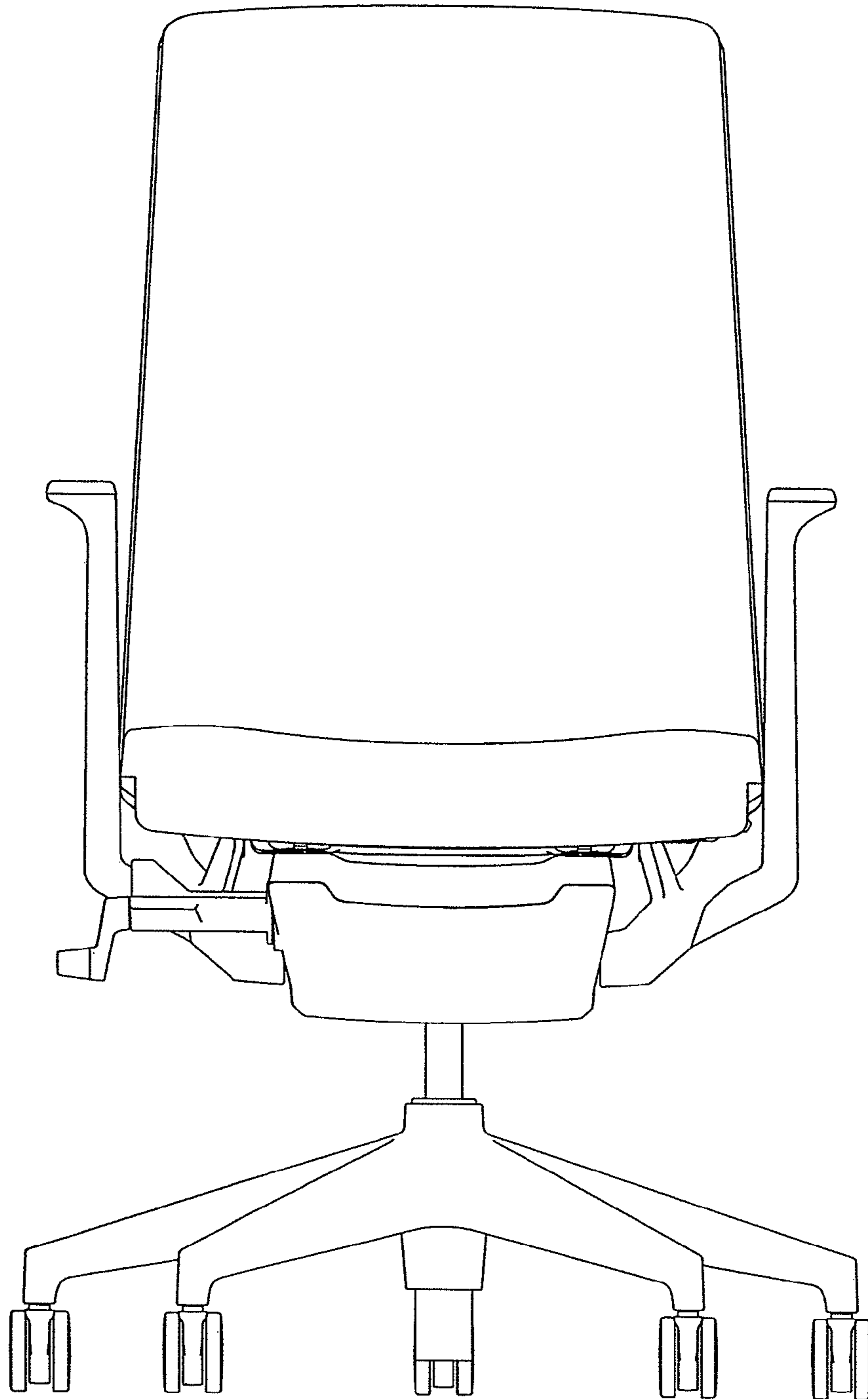


FIG. 7

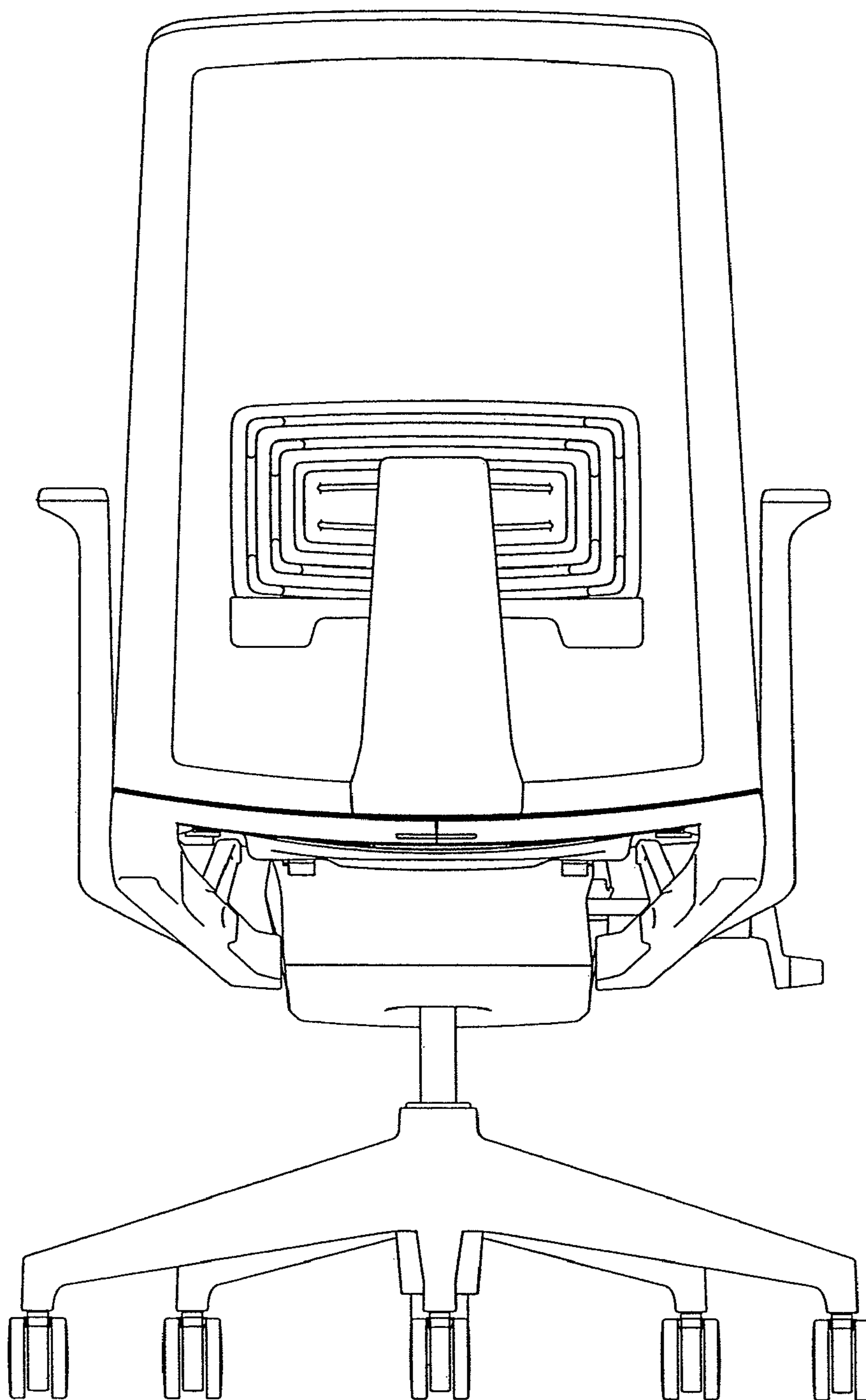


FIG. 8

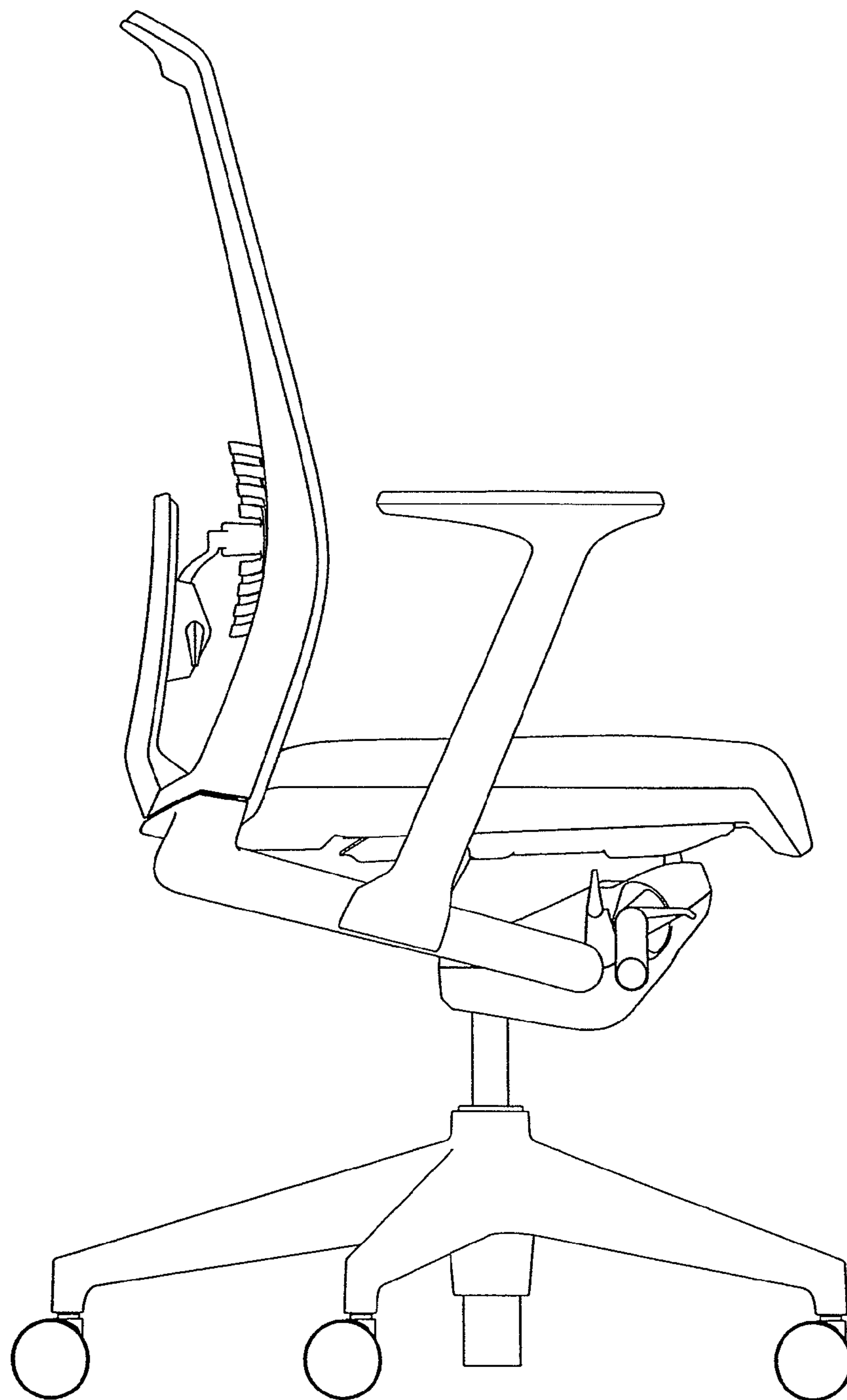


FIG. 9

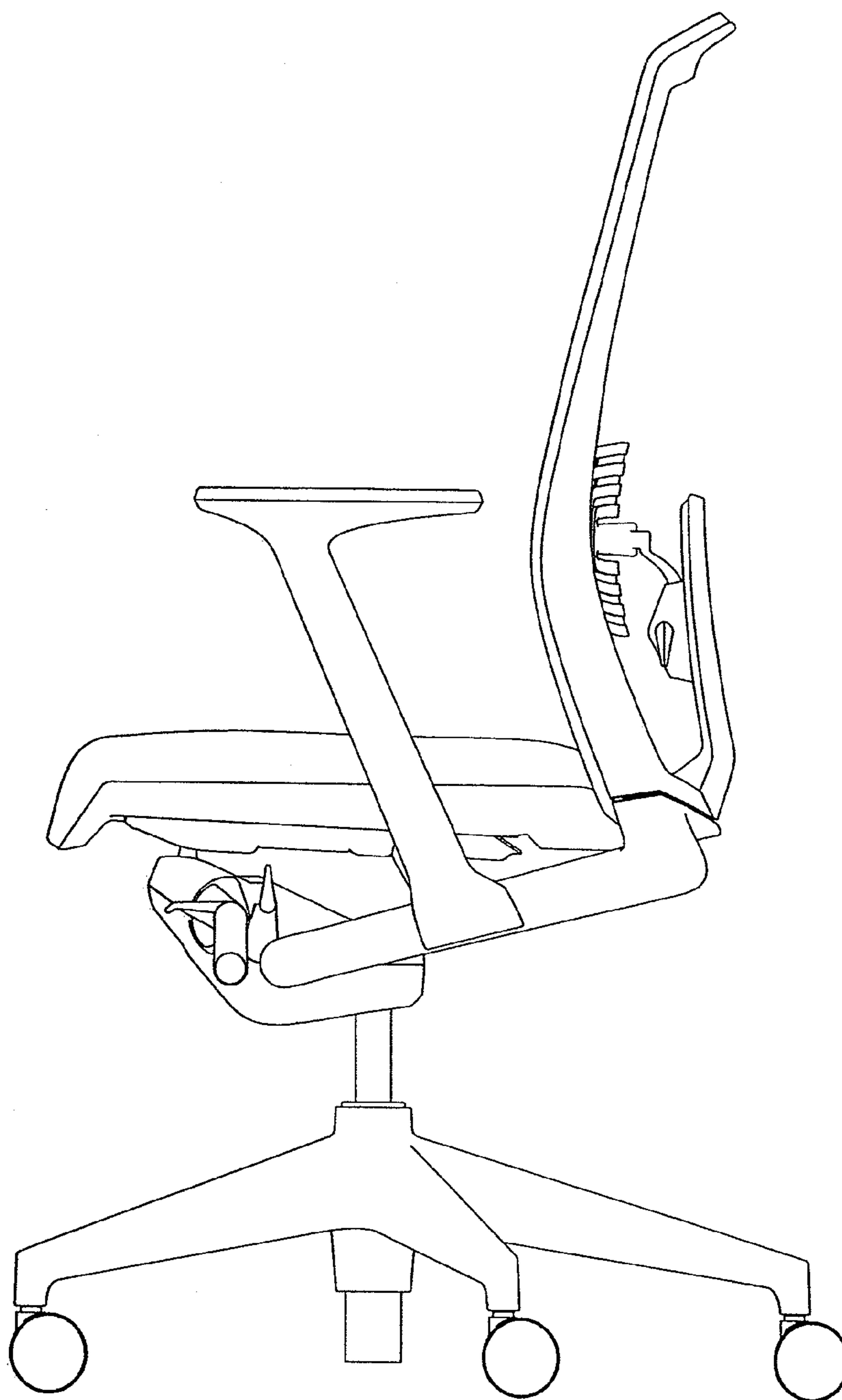


FIG. 10