

US00D662329S

(12) **United States Design Patent**
Arko et al.

(10) **Patent No.:** **US D662,329 S**
(45) **Date of Patent:** **** Jun. 26, 2012**

(54) **FURNITURE PIECE**
(75) Inventors: **Robert Peter Arko**, San Francisco, CA (US); **John R. Hamilton**, San Rafael, CA (US); **Justin Champaign**, San Francisco, CA (US); **Jon LeFors**, San Francisco, CA (US)

(73) Assignee: **Steelcase Inc.**, Grand Rapids, MI (US)

(**) Term: **14 Years**

(21) Appl. No.: **29/390,341**

(22) Filed: **Apr. 22, 2011**

(51) **LOC (9) Cl.** **06-06**

(52) **U.S. Cl.** **D6/332**

(58) **Field of Classification Search** D25/58;
D6/332; 52/220.7, 239, 238.1, 243, 270,
52/36.1, 788.1, 762, 764, 474, 71, 70
See application file for complete search history.

D356,352 S	3/1995	Johnson	
5,607,070 A	3/1997	Hellyer	
D393,965 S	5/1998	Sandy	
D395,639 S	6/1998	Ham et al.	
D397,562 S	9/1998	DePottey et al.	
D400,361 S	11/1998	Sobrito	
D420,223 S *	2/2000	Chipman et al.	D6/332
D422,796 S	4/2000	Milligan et al.	
D427,783 S	7/2000	Luedke	
6,164,467 A	12/2000	DePottey et al.	
D445,837 S	7/2001	Waterhouse	
D449,345 S	10/2001	Lung et al.	
D450,775 S	11/2001	Albrecht	
D450,776 S	11/2001	Albrecht	
6,427,389 B1 *	8/2002	Branc et al.	52/36.1
D481,466 S	10/2003	Mueller et al.	

(Continued)

Primary Examiner — Doris Clark

(74) Attorney, Agent, or Firm — Quarles & Brady LLP

(57) **CLAIM**

The ornamental design for a furniture piece, as shown and described.

DESCRIPTION

FIG. 1 is a left, top, front perspective view of a furniture piece according to our new design, the bottom thereof being hidden in use;

FIG. 2 is a top, rear perspective view from the right side thereof;

FIG. 3 is a front elevational view thereof, the rear elevational view thereof being a mirror image of the front shown;

FIG. 4 is a left side elevational view thereof, the right side elevational view thereof being a mirror image of the left side shown; and,

FIG. 5 is a top plan view thereof.

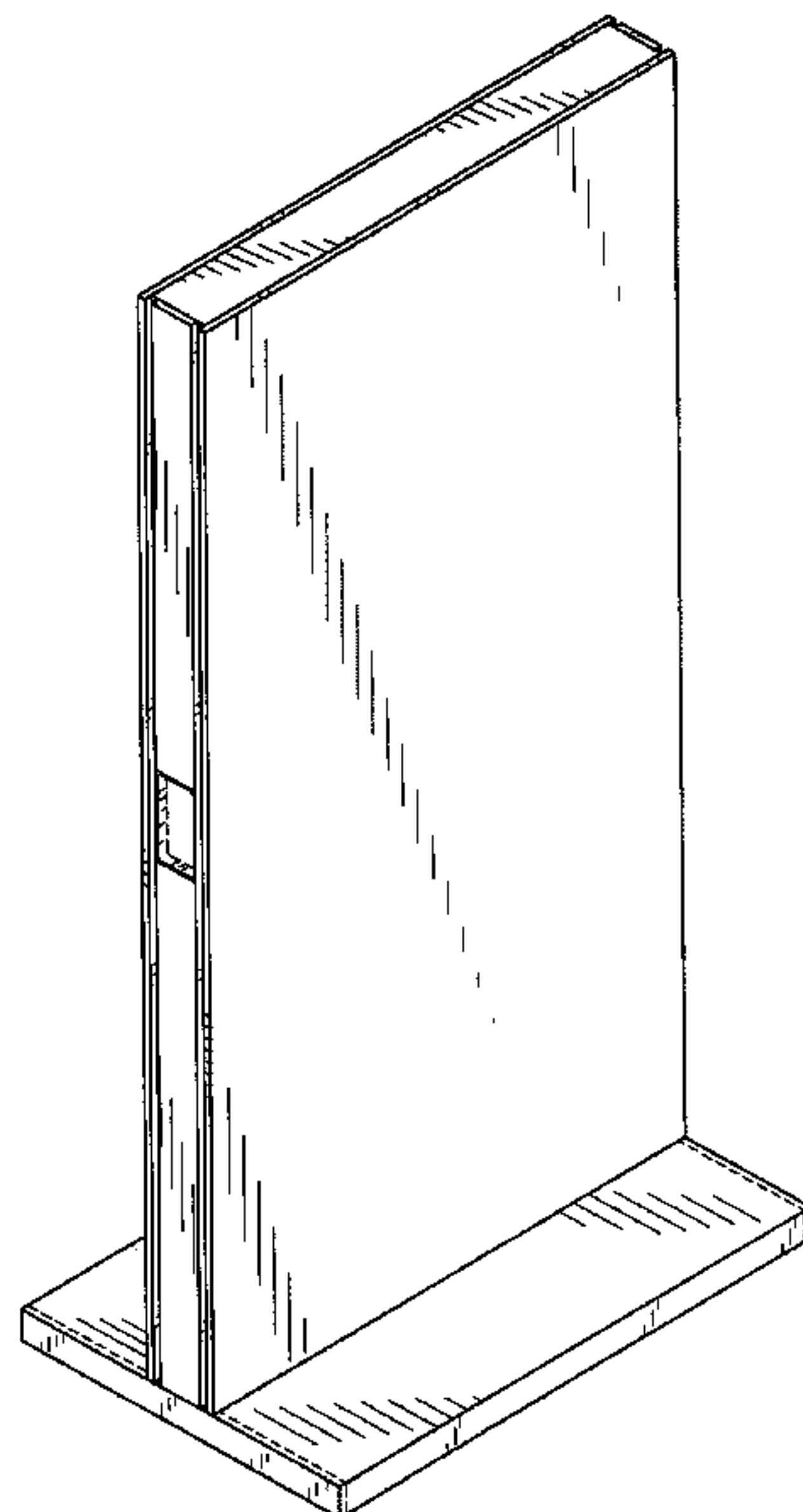
The broken line representations in the figures are for the purpose of illustrating unclaimed environment. The broken lines are thus not part of the claim.

1 Claim, 4 Drawing Sheets

(56) **References Cited**

U.S. PATENT DOCUMENTS

641,683 A	1/1900	Evans
1,313,257 A	8/1919	Carlson
3,477,404 A	11/1969	Robinson
4,085,789 A	4/1978	Steiner et al.
4,121,645 A	10/1978	Behr
D264,731 S	6/1982	Shuman
D275,579 S	9/1984	Brown et al.
D279,201 S	6/1985	Shuman
D279,942 S	8/1985	Vasquez et al.
4,573,589 A	3/1986	Atkinson
D284,875 S	7/1986	Howard
4,784,205 A	11/1988	Johnson et al.
D312,177 S	11/1990	Walter
D330,646 S	11/1992	Maas
D333,227 S	2/1993	Horvath
5,255,803 A	10/1993	Pavone et al.
D350,566 S	9/1994	Pearson



US D662,329 S

Page 2

U.S. PATENT DOCUMENTS

6,669,037	B1	12/2003	Ahn				
D485,080	S	1/2004	Stewich				
D491,734	S	6/2004	Quintal				
6,760,999	B2 *	7/2004	Branc et al.	52/36.1			
D505,456	S	5/2005	Green				
D506,331	S	6/2005	Quintal				
7,163,109	B2	1/2007	Wells et al.				
D536,540	S	2/2007	Partridge				
7,219,809	B2	5/2007	Schluter et al.				
D559,564	S	1/2008	Bakker et al.				
D559,565	S	1/2008	Bakker et al.				
D560,071	S	1/2008	Frazier				
7,448,634	B1	11/2008	Raub				
7,789,430	B2	9/2010	Wittmeyer, Jr. et al.				
7,886,919	B2	2/2011	Battaglia, Jr. et al.				
7,946,435	B2	5/2011	Clark et al.				
D642,390	S	8/2011	West				
D644,340	S	8/2011	Canales et al.				
2006/0080918	A1 *	4/2006	Clubbe	52/238.1			

* cited by examiner

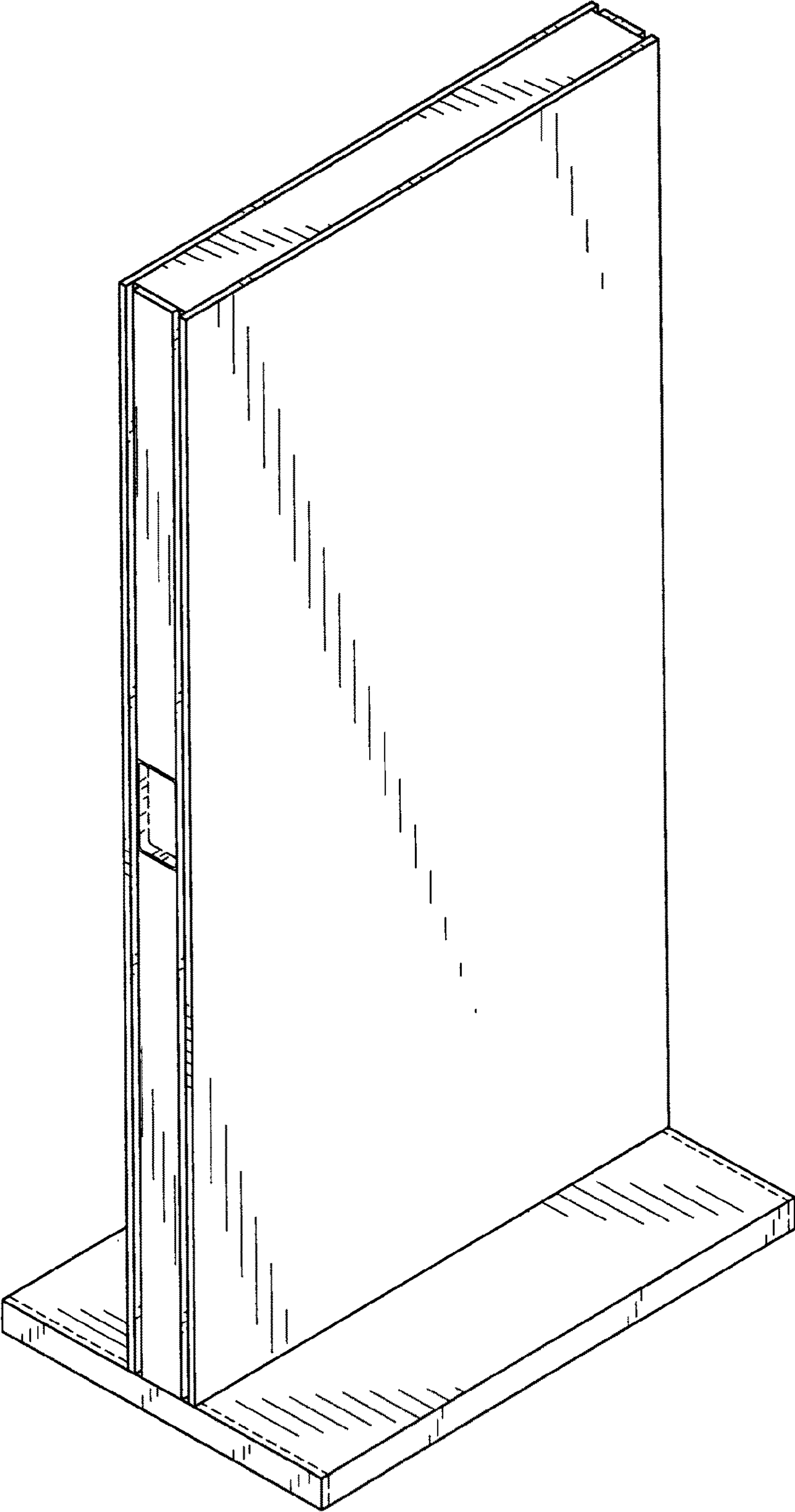


FIG. 1

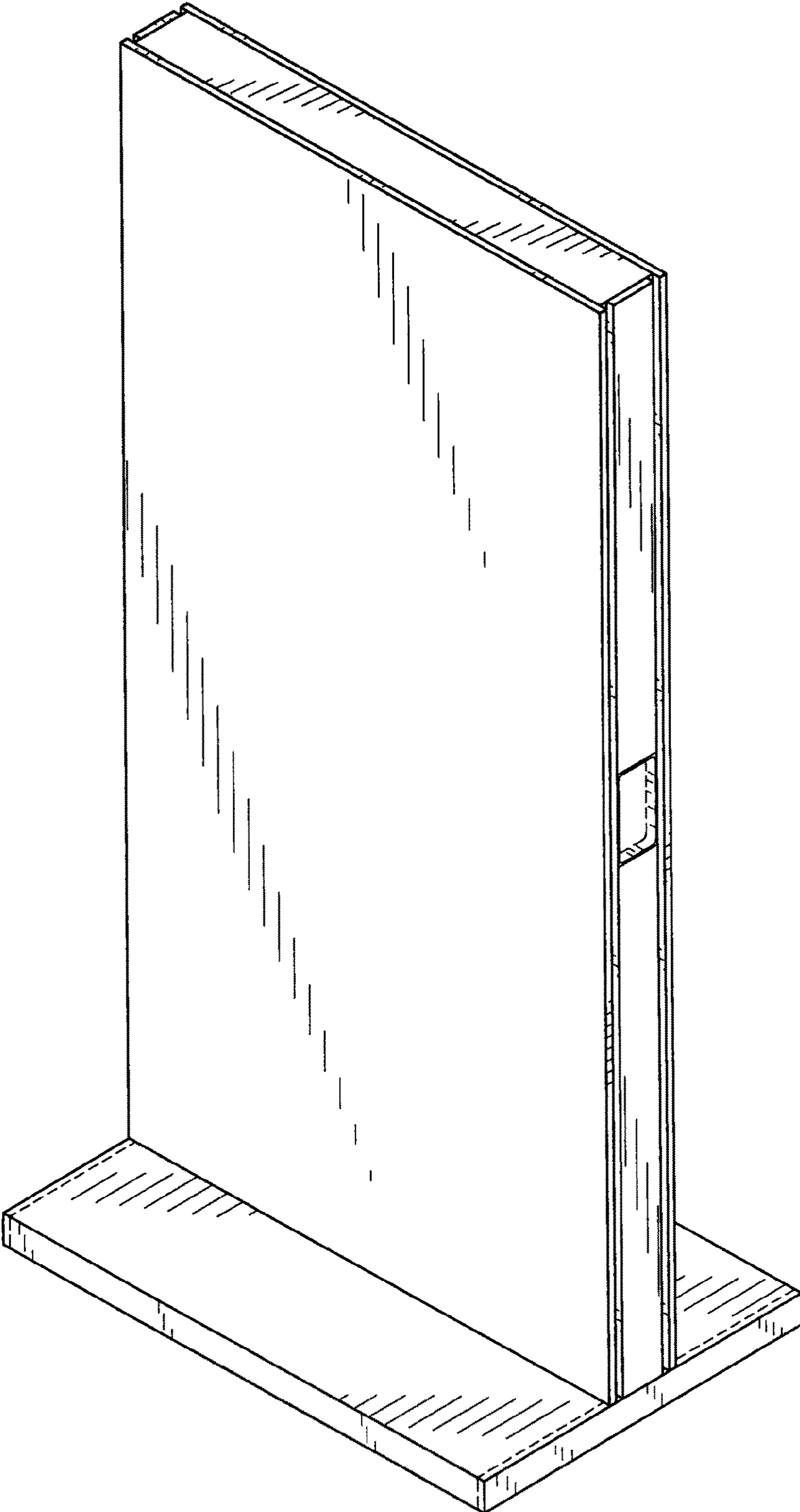


FIG. 2

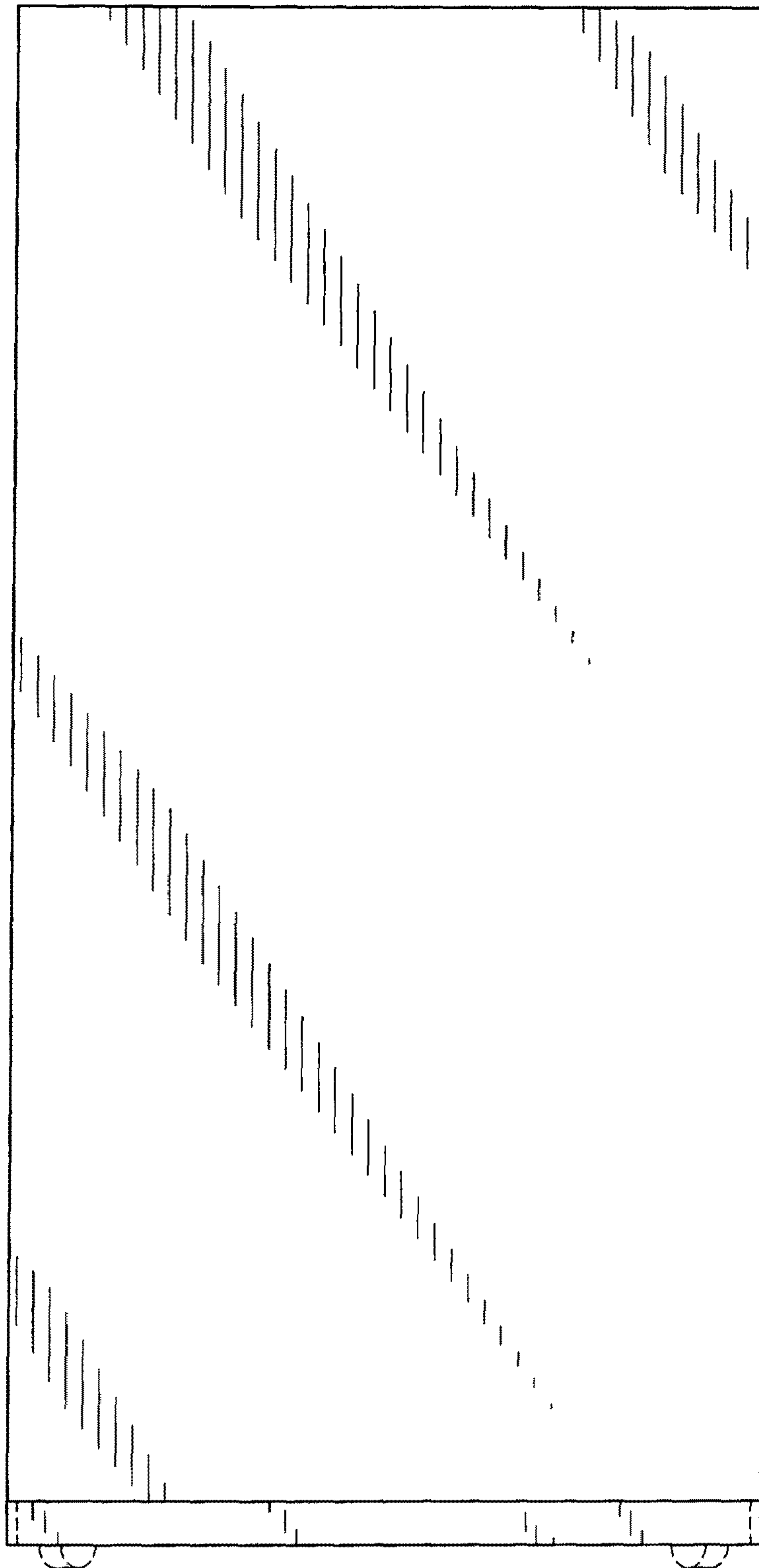


FIG. 3

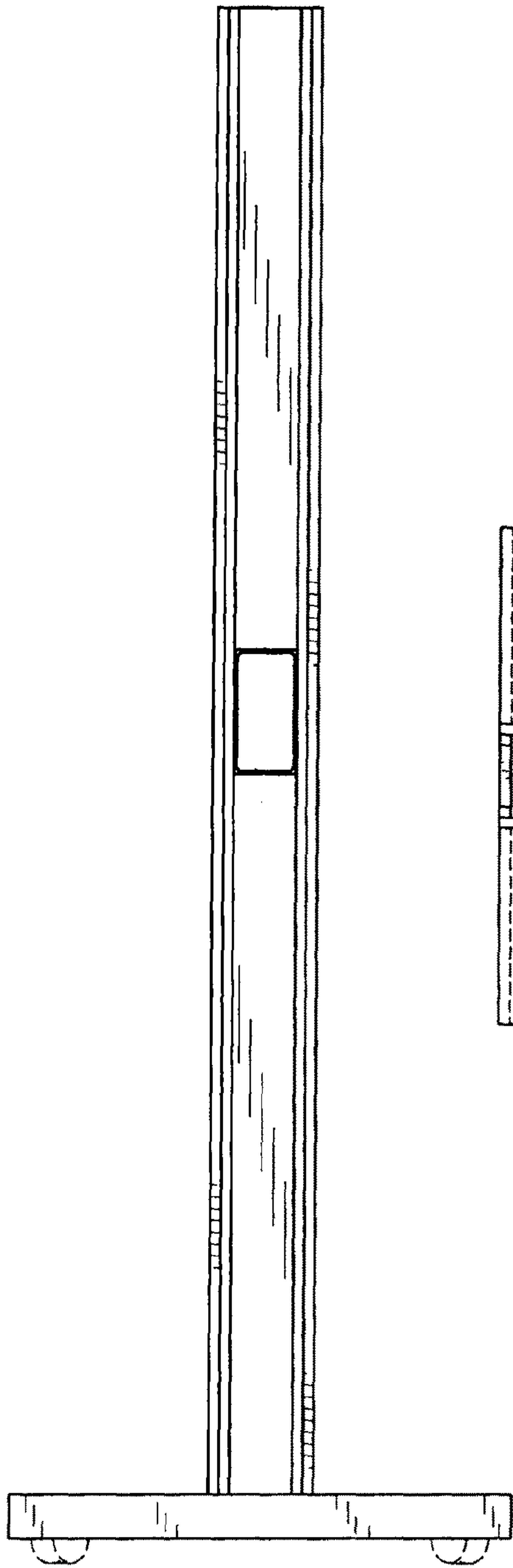


FIG. 4

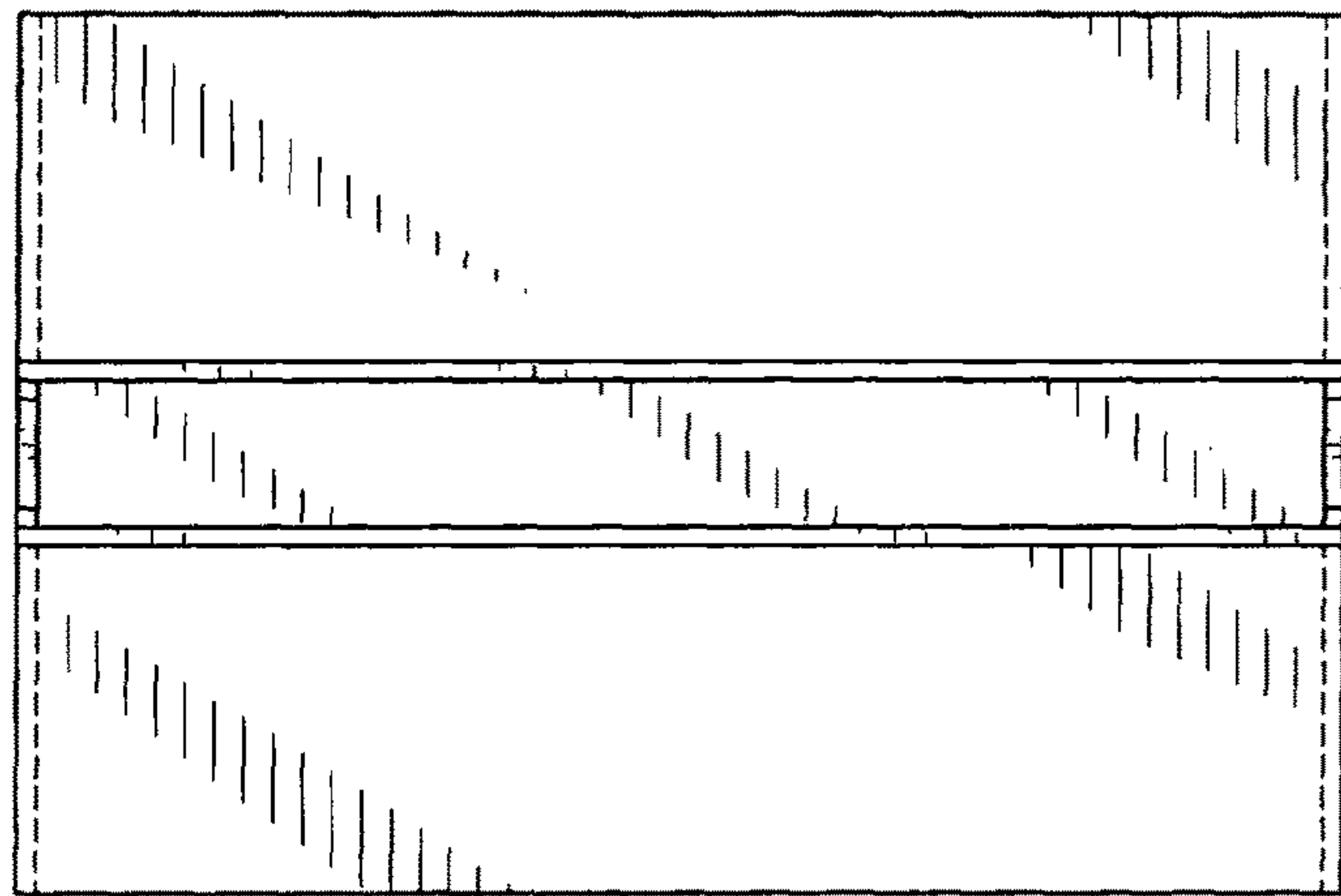


FIG. 5