

US00D662322S

(12) **United States Design Patent**  
**Perez-Segarra**

(10) **Patent No.:** **US D662,322 S**  
(45) **Date of Patent:** **\*\* Jun. 26, 2012**

(54) **BASKET**

(76) **Inventor:** **Juan Roberto Perez-Segarra**, San Juan,  
PR (US)

(\*\*) **Term:** **14 Years**

(21) **Appl. No.:** **29/412,859**

(22) **Filed:** **Feb. 8, 2012**

(51) **LOC (9) Cl.** ..... **03-01**

(52) **U.S. Cl.** ..... **D3/309**

(58) **Field of Classification Search** ..... D3/304,  
D3/306-309, 315-316; D7/601-603, 608,  
D7/709; D9/429-430; D22/136; D32/37,  
D32/53; 217/122, 125; 220/659, 669

See application file for complete search history.

(56) **References Cited**

**U.S. PATENT DOCUMENTS**

D331,317 S	*	12/1992	Tsai	.....	D3/281
D351,765 S	*	10/1994	Beeler et al.	.....	D7/629
D373,873 S	*	9/1996	Nguyen et al.	.....	D34/1
D451,280 S	*	12/2001	Snell	.....	D3/309
D503,534 S	*	4/2005	Dong	.....	D3/276

D536,172 S	*	2/2007	Baez	.....	D3/309
D582,117 S	*	12/2008	Chafe et al.	.....	D32/53.1
D587,566 S	*	3/2009	Albrecht	.....	D9/424
D605,405 S	*	12/2009	Bodum	.....	D3/308
D608,066 S	*	1/2010	Pearl et al.	.....	D32/53
D655,576 S	*	3/2012	Samartgis	.....	D7/602
D656,815 S	*	4/2012	Fisher et al.	.....	D32/53

\* cited by examiner

*Primary Examiner* — Kelley Donnelly

(74) *Attorney, Agent, or Firm* — Hoglund & Parnias, PSC;  
Roberto J. Rios

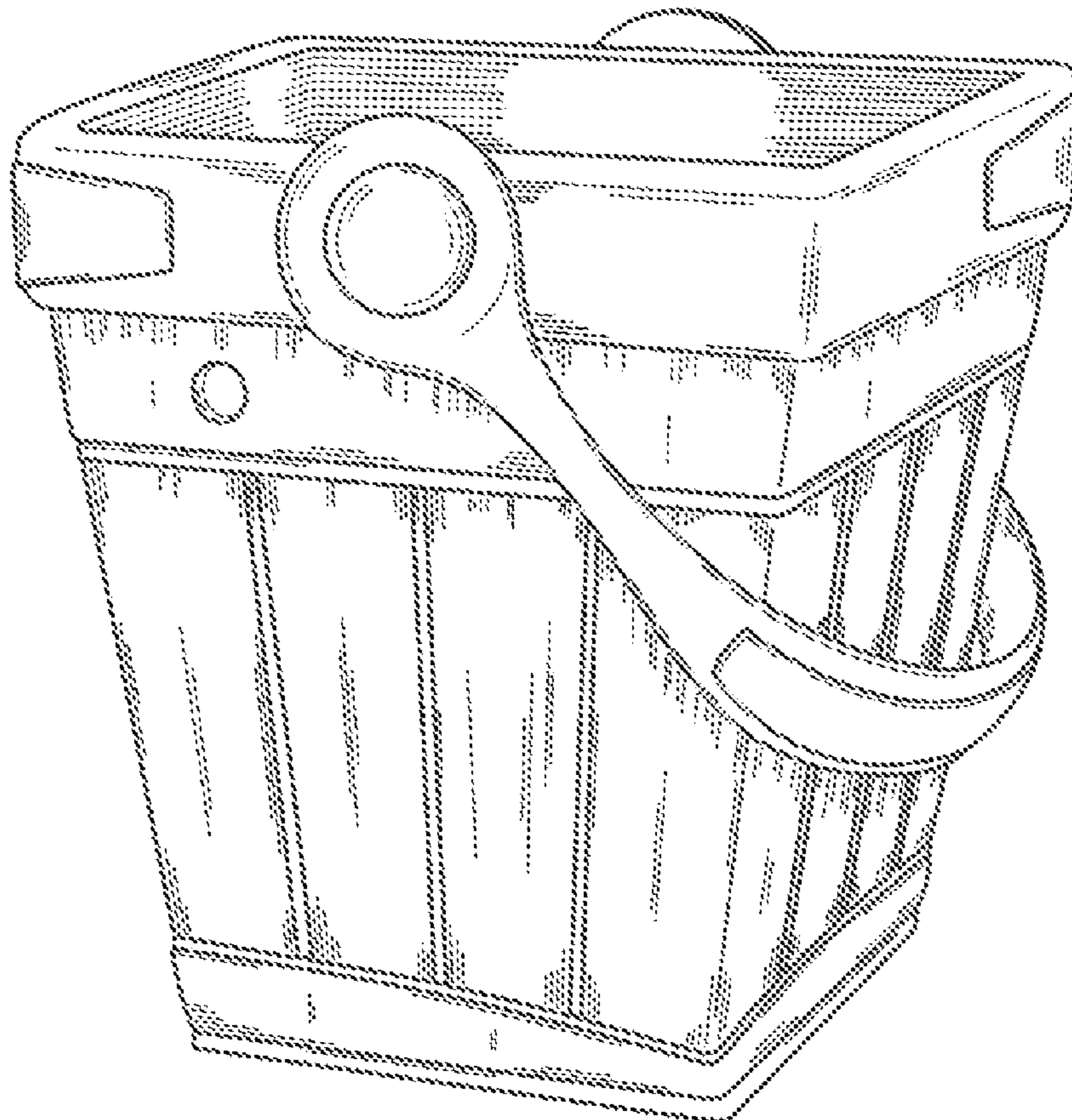
(57) **CLAIM**

The ornamental design for a basket, as shown and described.

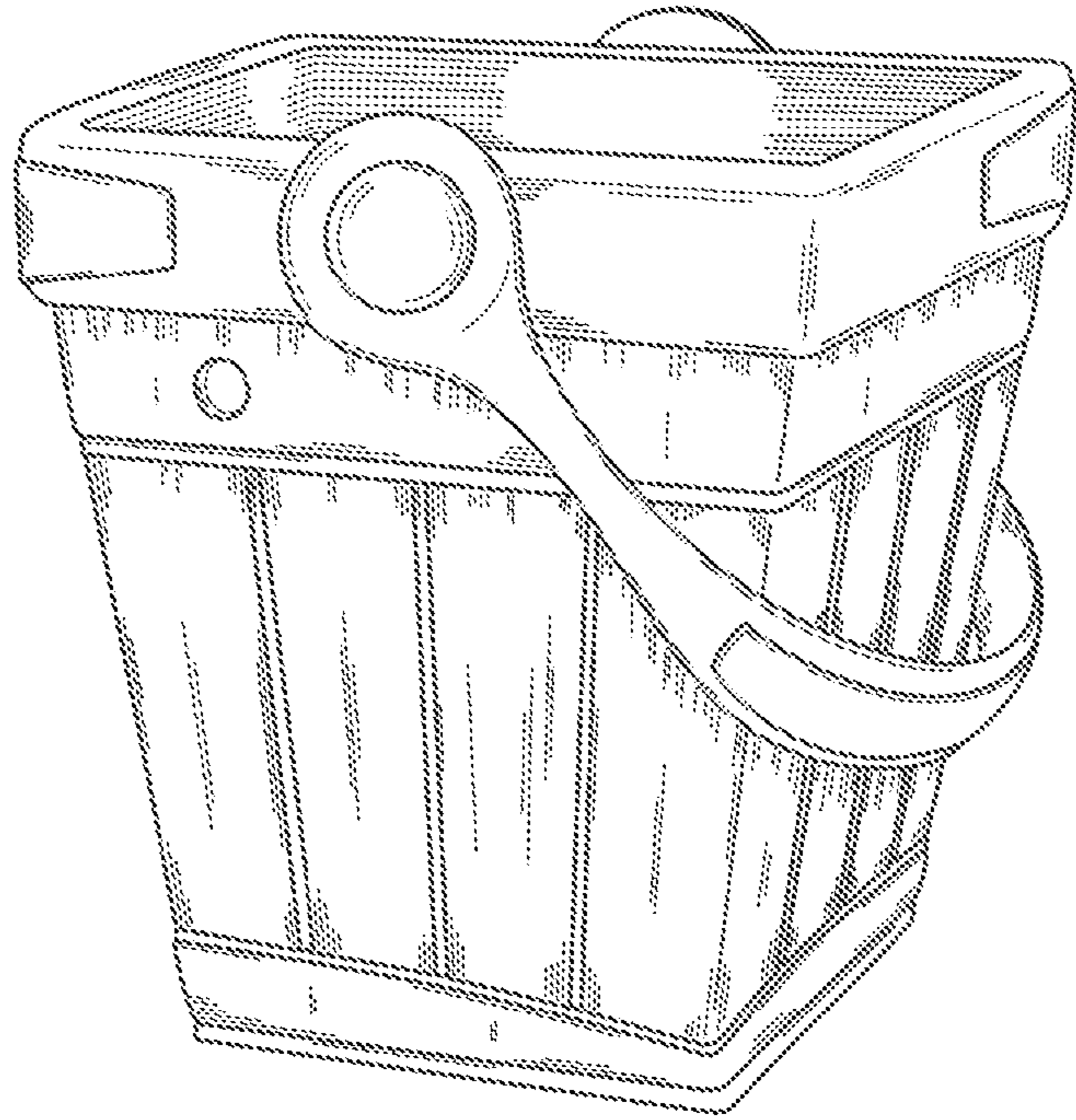
**DESCRIPTION**

FIG. 1 is a side perspective view of the basket.  
FIG. 2 is a side view of the basket of FIG. 1.  
FIG. 3 is a top view of the basket of FIG. 1; and,  
FIG. 4 is a bottom view of the basket of FIG. 1.  
The broken lines are for the purpose of illustrating the environment of the design only and form no part of the claimed design.

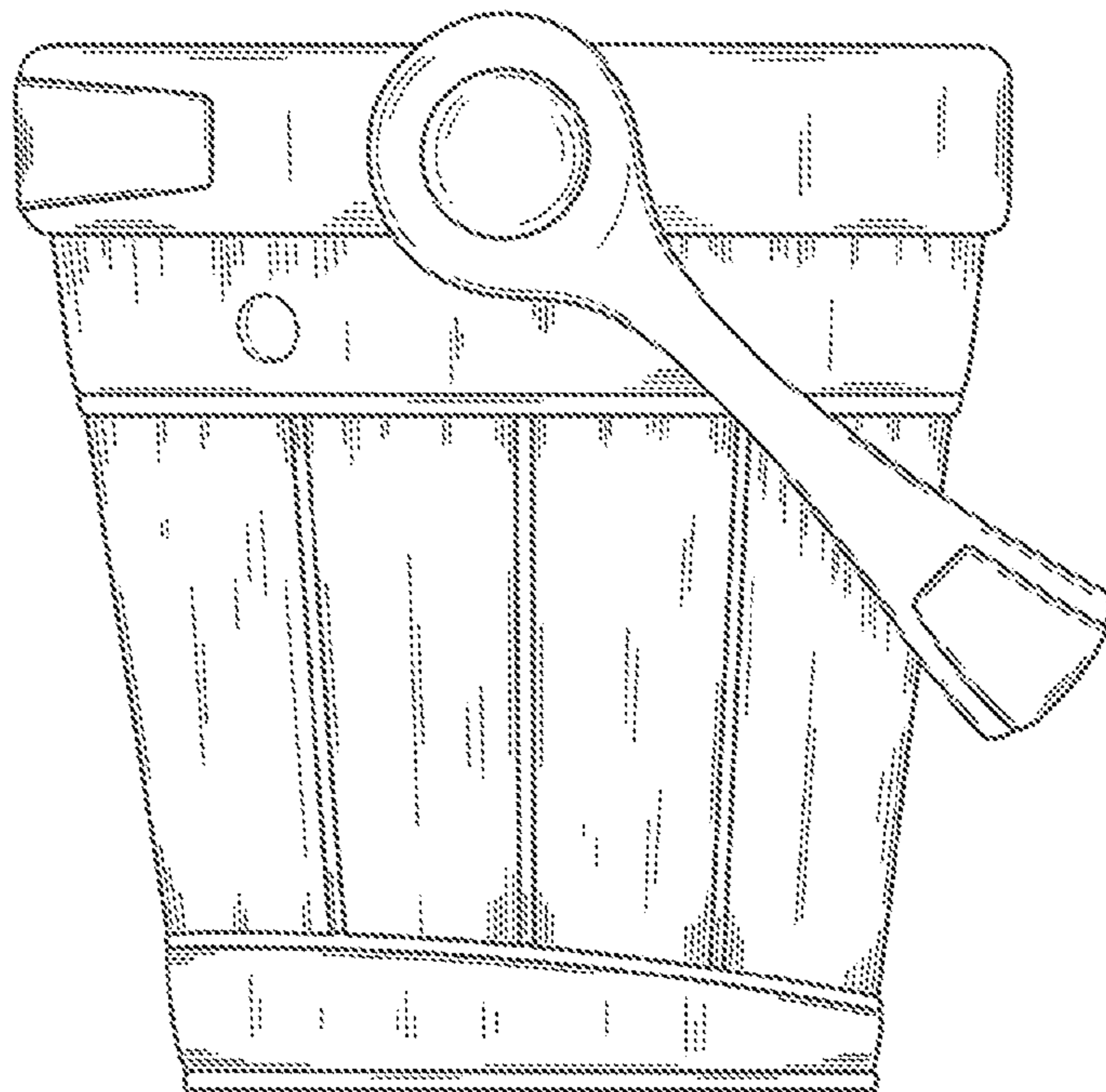
**1 Claim, 2 Drawing Sheets**



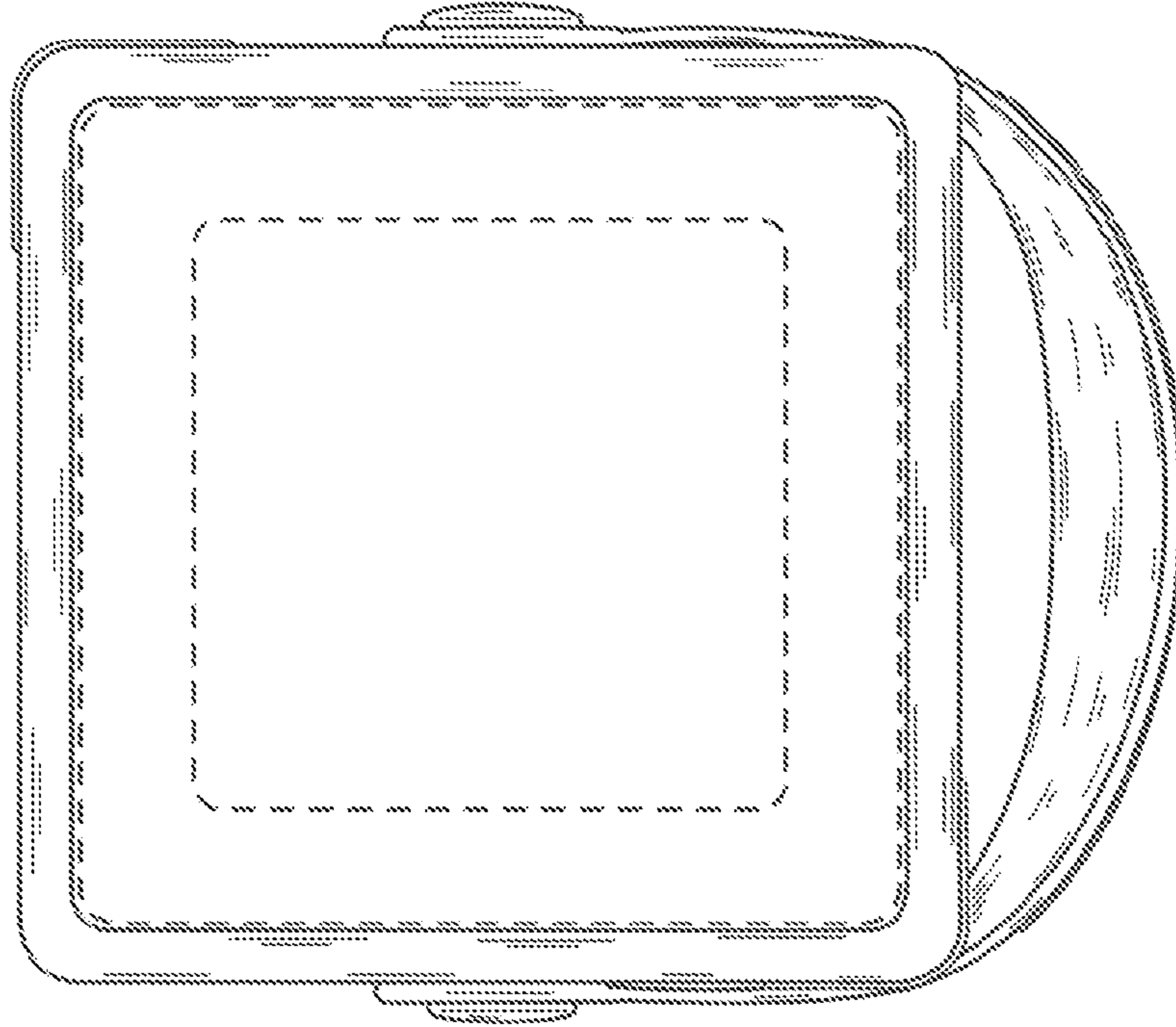
**FIG. 1**



**FIG. 2**



**FIG. 3**



**FIG. 4**

