



US00D662320S

(12) **United States Design Patent**  
**De Leo**

(10) **Patent No.:** **US D662,320 S**  
(45) **Date of Patent:** **\*\* Jun. 26, 2012**

(54) **PORTABLE UTENSIL HOLDER**  
(75) Inventor: **Anthony M. De Leo**, Orlando, FL (US)  
(73) Assignee: **Dart Industries Inc.**, Orlando, FL (US)

D474,020 S \* 5/2003 Wang et al. .... D3/274  
D529,288 S \* 10/2006 Ham ..... D3/294  
D582,159 S \* 12/2008 Gilbert ..... D3/274  
D632,078 S \* 2/2011 Schmitz ..... D3/299  
D641,164 S \* 7/2011 Cornu et al. .... D3/294

(\*\*) Term: **14 Years**  
(21) Appl. No.: **29/372,825**  
(22) Filed: **Jan. 18, 2011**

**OTHER PUBLICATIONS**

My Cutlery by United Colors of Benetton Portable Fork, Spoon & Chopsticks Set for Bento or My Lunch Box; 4 pages; © 2010 FlutterScape Inc.

(51) **LOC (9) Cl.** ..... **03-01**  
(52) **U.S. Cl.** ..... **D3/274; D3/201; D7/641**  
(58) **Field of Classification Search** ..... D3/201,  
D3/205-206, 270, 274, 271.1, 294-295, 299;  
D7/601, 641; D9/715, 717; 294/218  
See application file for complete search history.

\* cited by examiner

*Primary Examiner* — Catherine Oliver  
(74) *Attorney, Agent, or Firm* — John A. Doninger

(56) **References Cited**

**U.S. PATENT DOCUMENTS**

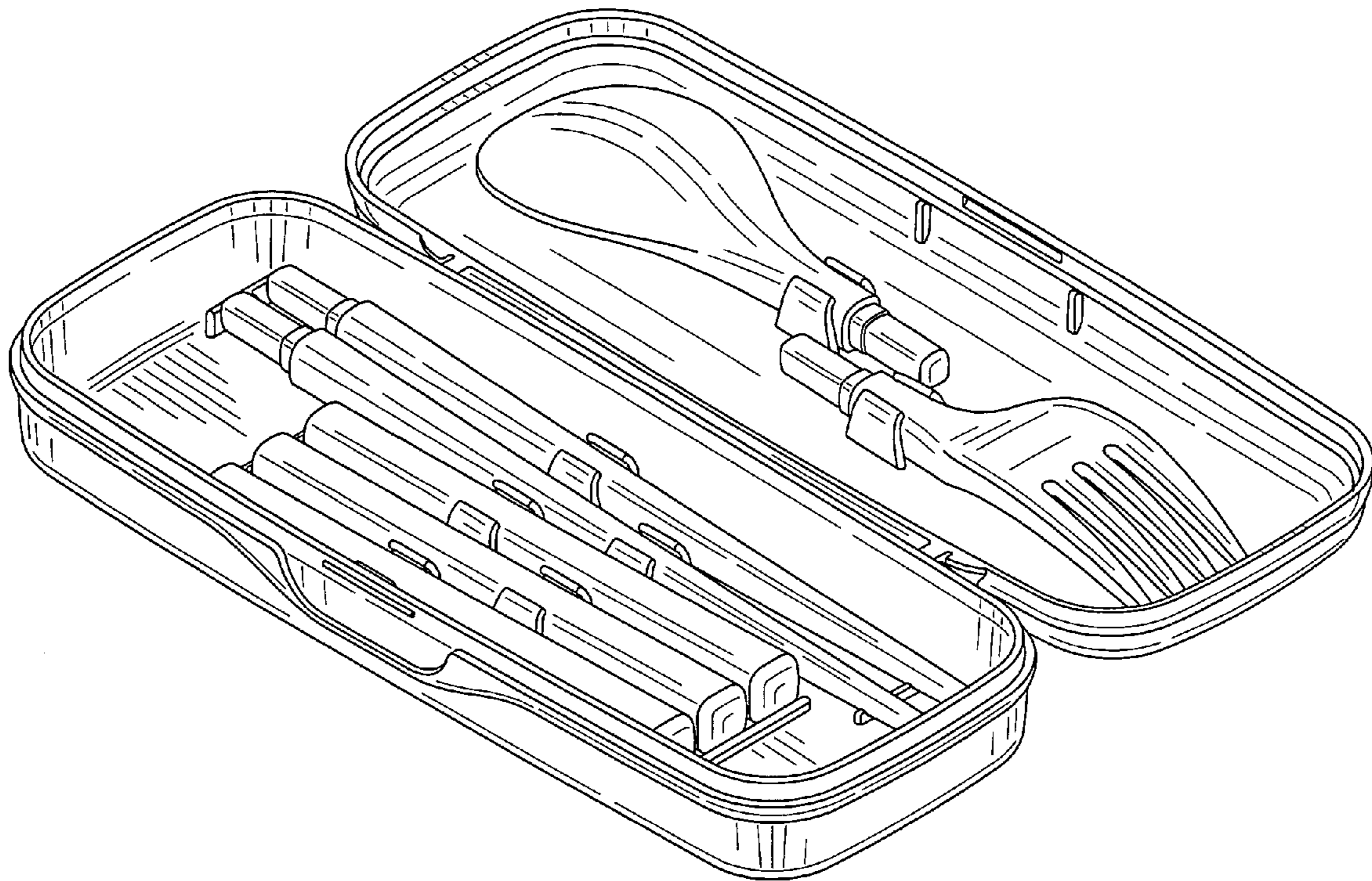
D280,678 S 9/1985 Loscalzo et al.  
D306,235 S \* 2/1990 Tamamura ..... D3/295  
4,940,143 A 7/1990 Stanfield  
D397,547 S \* 9/1998 Goodwin et al. .... D3/206  
D404,917 S 2/1999 Miller et al.  
D425,296 S \* 5/2000 Shurtleff ..... D3/205  
D430,726 S \* 9/2000 Burbrink ..... D3/274  
D448,931 S \* 10/2001 Gutierrez et al. .... D3/274  
6,328,360 B1 12/2001 Freeman  
D458,127 S 6/2002 de Groot

(57) **CLAIM**  
The ornamental design for a portable utensil holder, as shown and described.

**DESCRIPTION**

FIG. 1 is a top, side and front perspective view of a portable utensil holder showing my new design;  
FIG. 2 is an exploded view of the portable utensil holder shown in FIG. 1;  
FIG. 3 is a top plan view thereof;  
FIG. 4 is a bottom plan view thereof;  
FIG. 5 is a front elevation view thereof;  
FIG. 6 is a rear elevation view thereof;  
FIG. 7 is a right side elevation view thereof; and,  
FIG. 8 is a left side elevation view thereof.

**1 Claim, 4 Drawing Sheets**



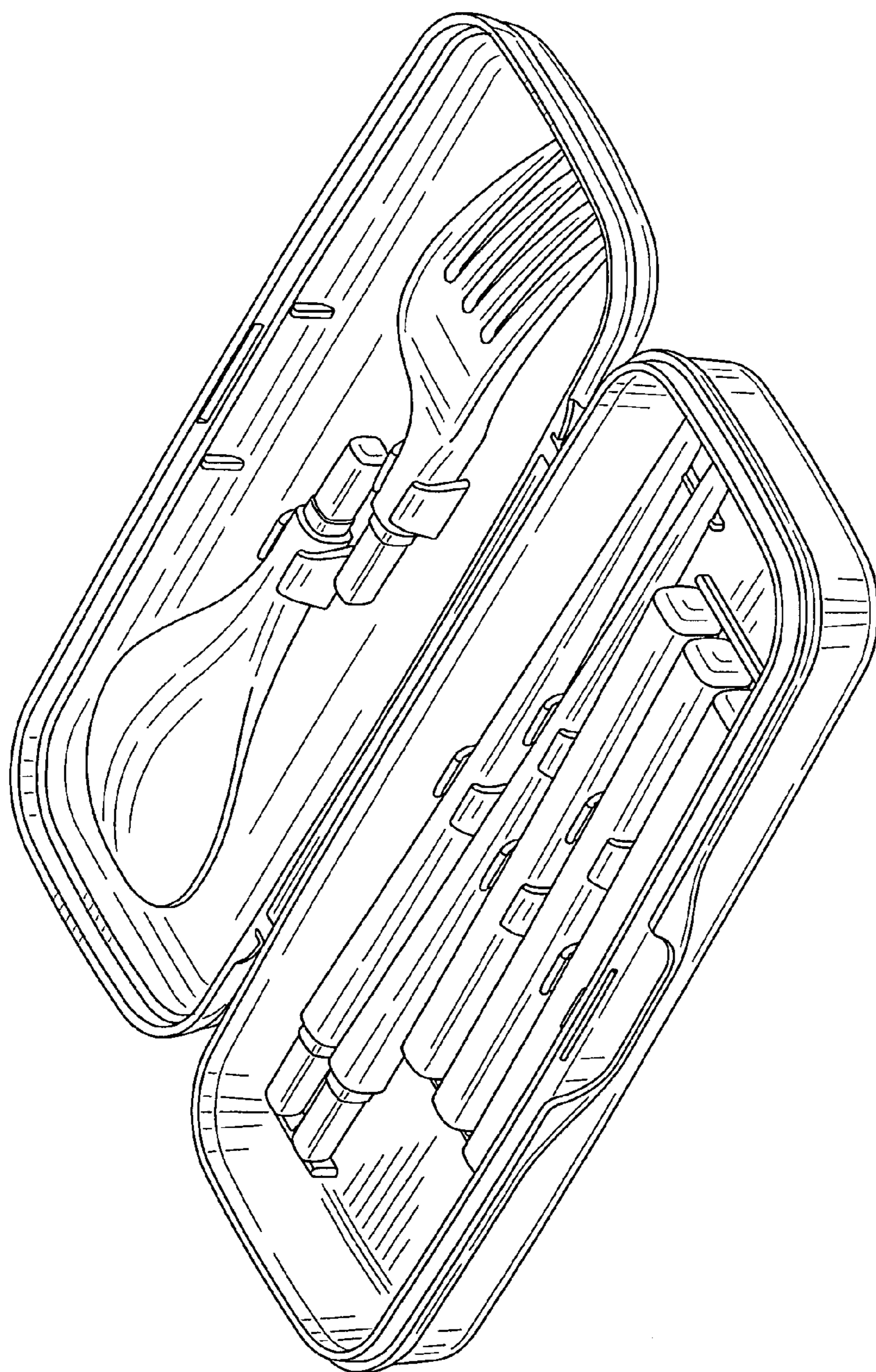


FIG. 1

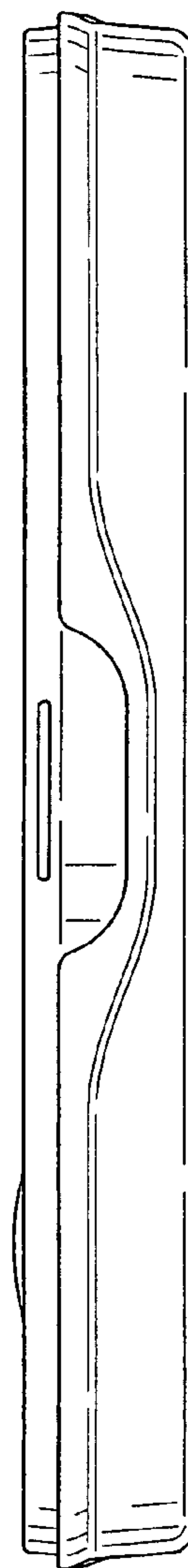


FIG. 5

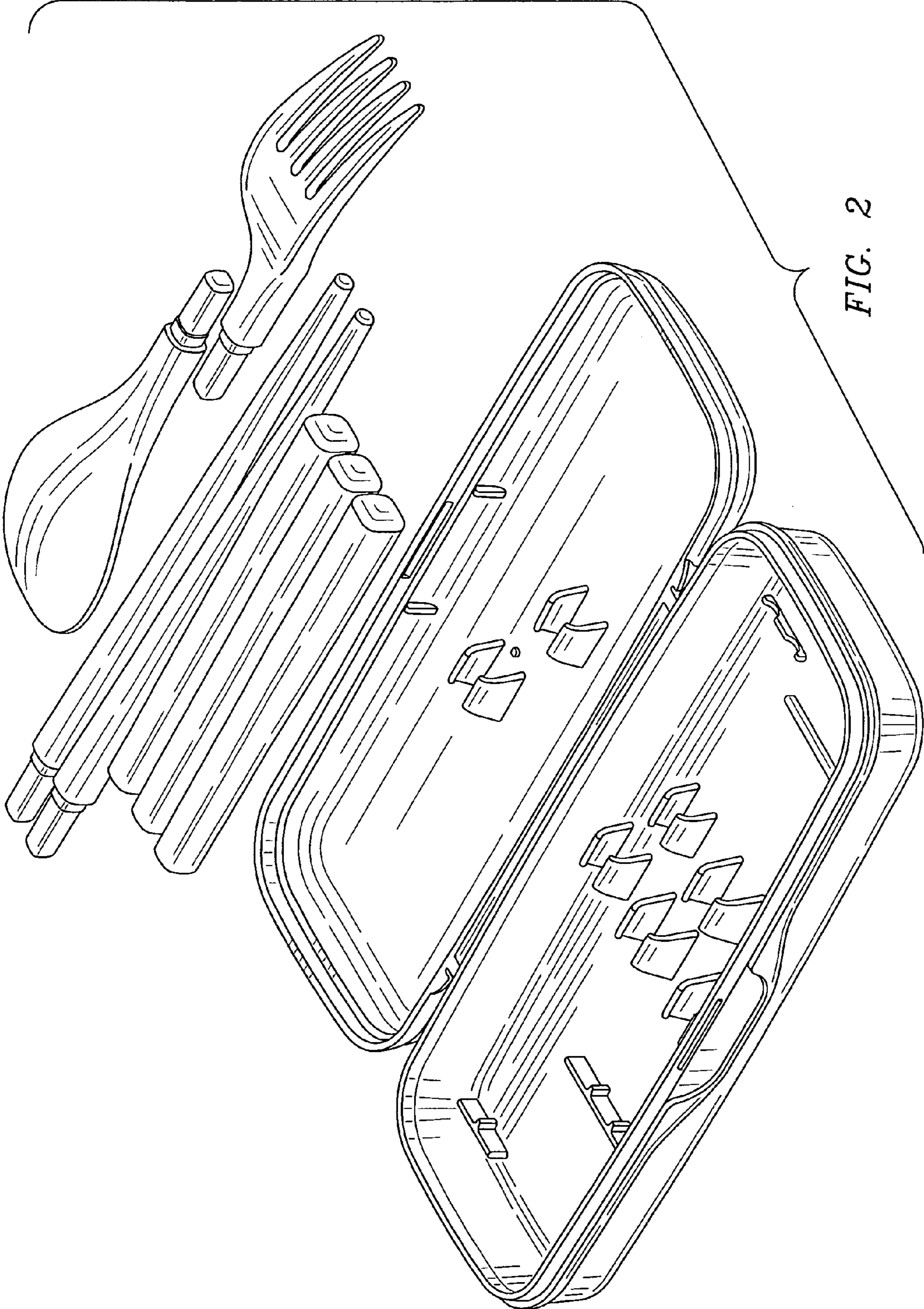


FIG. 2

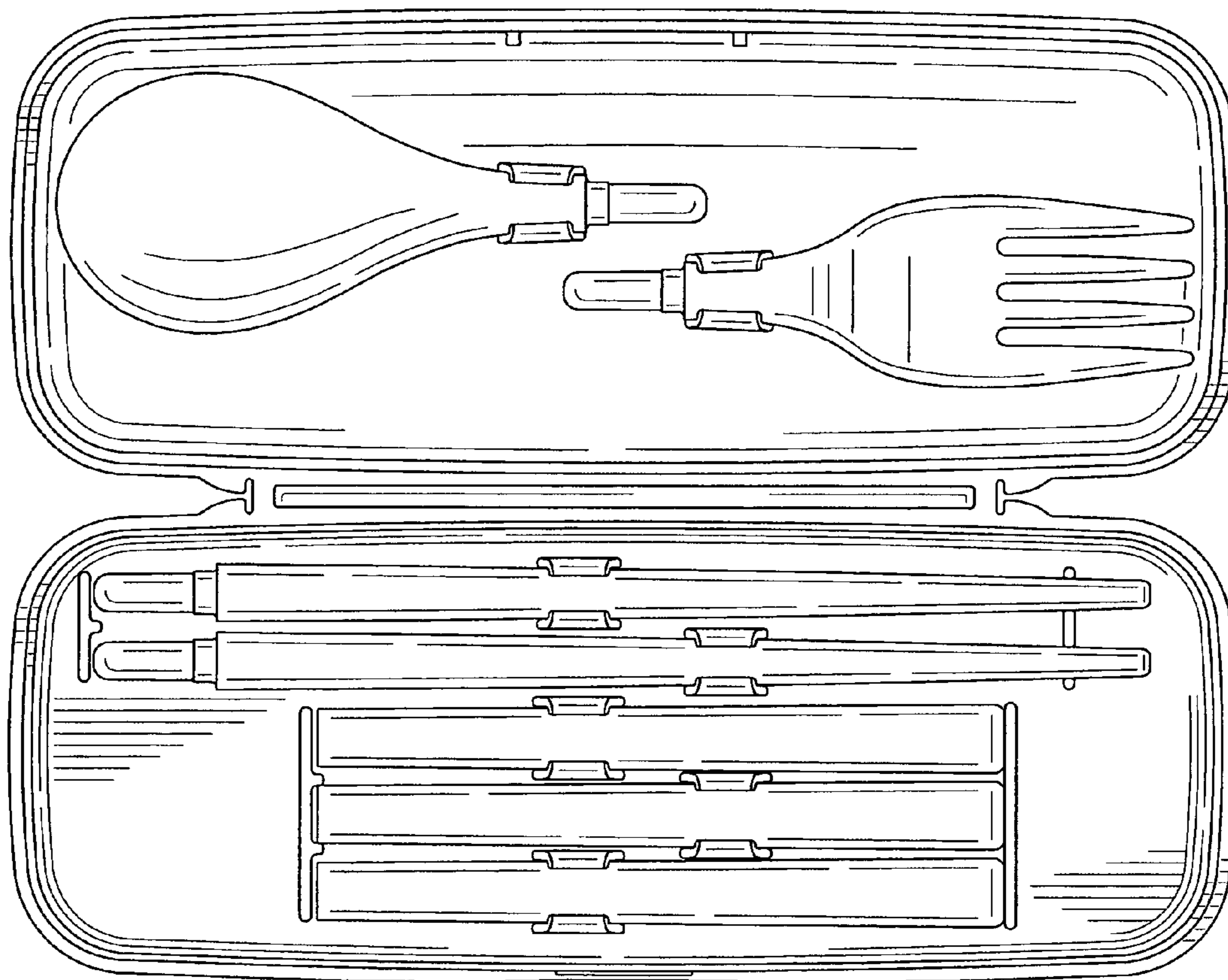


FIG. 3

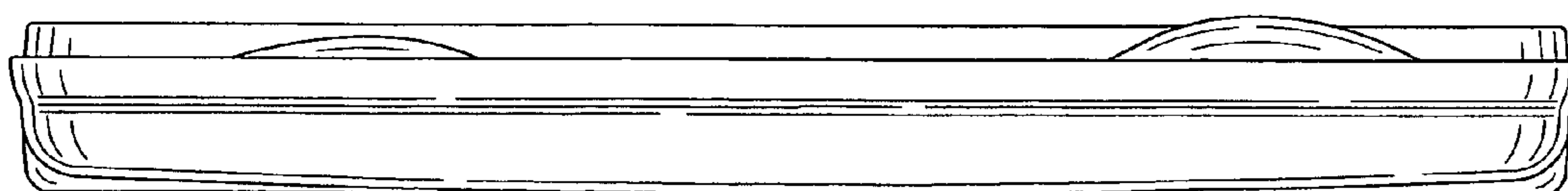


FIG. 6

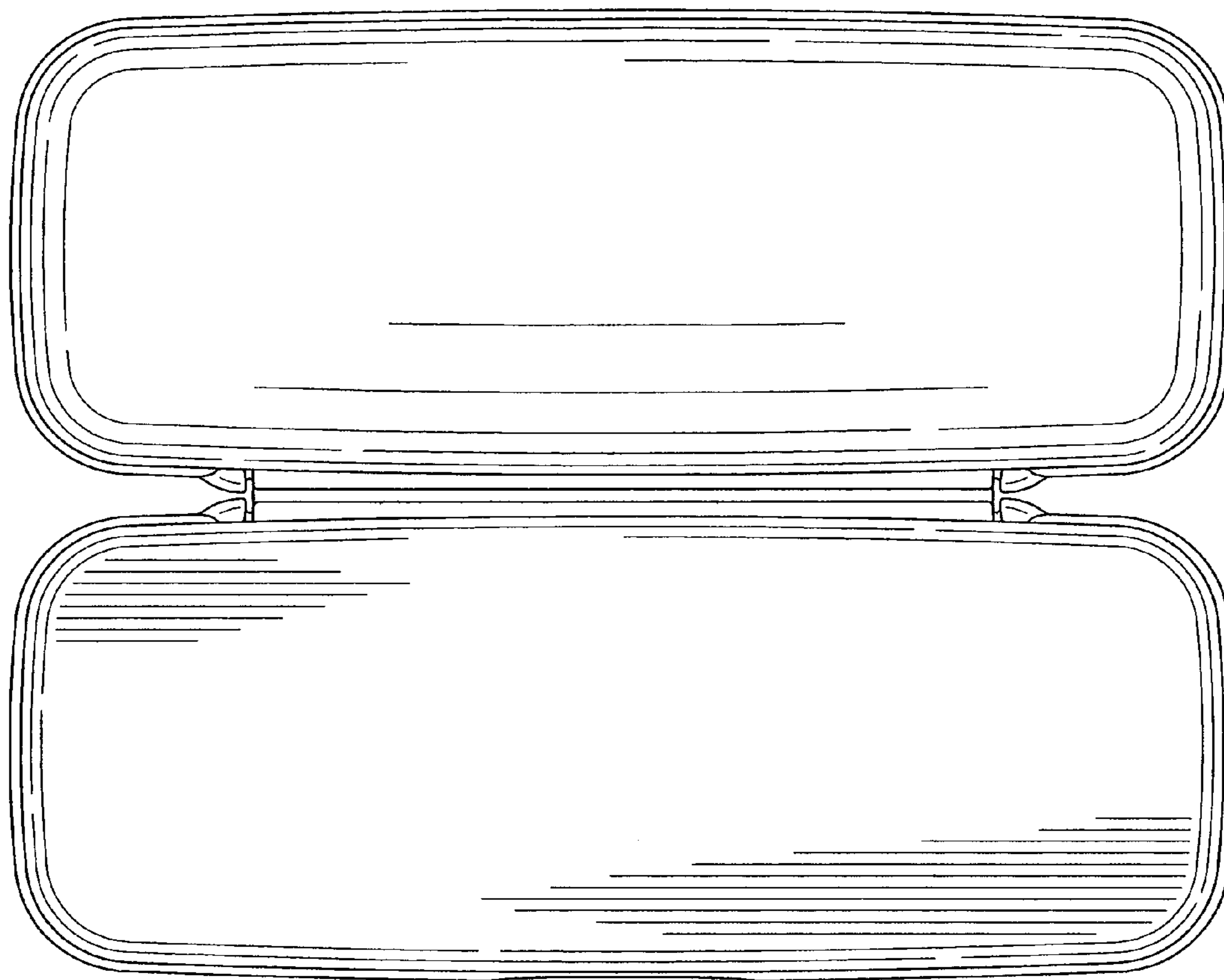


FIG. 4

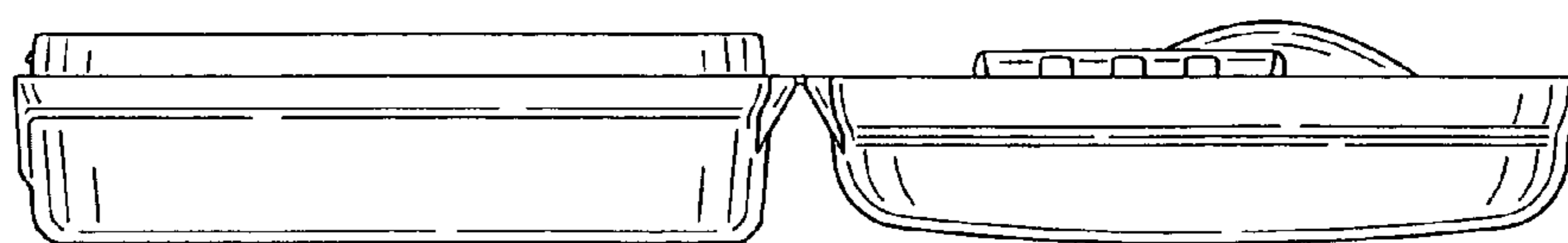


FIG. 7

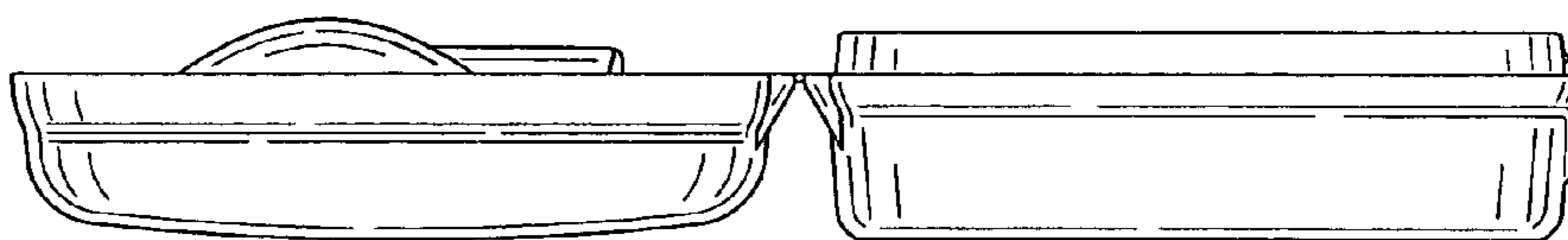


FIG. 8