



US00D662319S

(12) **United States Design Patent**  
**Collins et al.**

(10) **Patent No.:** **US D662,319 S**  
(45) **Date of Patent:** **\*\* Jun. 26, 2012**

(54) **SOCCER BAG WITH FOLDING SEAT**

(75) Inventors: **Gregory Collins**, Loretto (CA);  
**Edmund Chen**, Brampton (CA)

(73) Assignee: **Grit Inc.**, Tottenham, Ontario (CA)

(\*\*) Term: **14 Years**

(21) Appl. No.: **29/383,672**

(22) Filed: **Jan. 20, 2011**

**Related U.S. Application Data**

(63) Continuation-in-part of application No. 12/683,551,  
filed on Jan. 7, 2010.

(51) **LOC (9) Cl.** ..... **03-01**

(52) **U.S. Cl.** ..... **D3/254**

(58) **Field of Classification Search** ..... 150/118,  
150/100, 103-104; 220/4.21, 810, 825; 224/155;  
D3/274, 276, 273, 279, 272, 295, 294, 254,  
D3/301, 904-905, 265, 218, 247; 206/5,  
206/6; D6/336; 190/8; 280/650

See application file for complete search history.

(56) **References Cited**

**U.S. PATENT DOCUMENTS**

2,718,943	A	9/1955	Braverman	
5,139,308	A	8/1992	Ziman	
5,439,241	A	8/1995	Nelson	
5,499,760	A	3/1996	Pielocik	
D374,773	S	* 10/1996	Domotor	D3/279
5,797,612	A	8/1998	Buccioni	

(Continued)

**FOREIGN PATENT DOCUMENTS**

CA 1226567 9/1987

(Continued)

*Primary Examiner* — Sheryl Lane

(74) *Attorney, Agent, or Firm* — Sand & Sebolt

(57) **CLAIM**

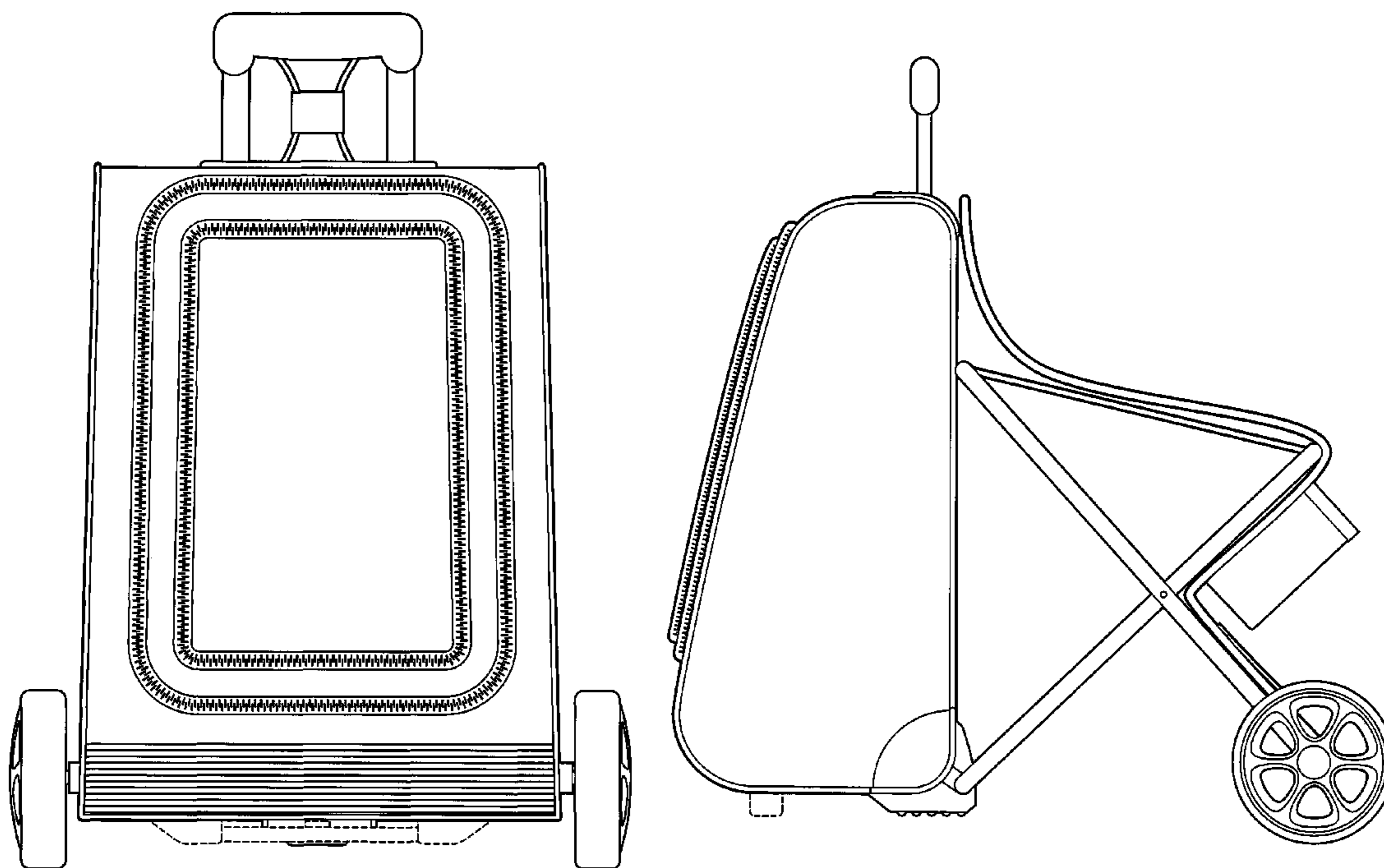
The ornamental design for a soccer bag with folding seat, as shown and described.

**DESCRIPTION**

FIG. 1 is a front view, with seat folded out, of the soccer bag with folding seat in accordance with the present design; FIG. 2 is a left side view, with seat folded out, thereof; FIG. 3 is a right side view, with seat folded out, thereof; FIG. 4 is a rear view, with seat folded out, thereof; FIG. 5 is a bottom view, with seat folded out, thereof; FIG. 6 is a top view, with seat folded out, thereof; FIG. 7 is a front view, with seat folded in, thereof; FIG. 8 is a left side view, with seat folded in, thereof; FIG. 9 is a right side view, with seat folded in, thereof; FIG. 10 is a rear view, with seat folded in, thereof; FIG. 11 is a bottom view, with seat folded in, thereof; FIG. 12 is a top view, with seat folded in, thereof; FIG. 13 is a perspective front view, with bag open and seat folded in, thereof; and, FIG. 14 is a perspective rear view, with seat folded out, thereof.

The broken line showing of the soccer bag is included for the purpose of illustrating portions of the article and forms no part of the claimed design.

**1 Claim, 14 Drawing Sheets**



# US D662,319 S

Page 2

---

## U.S. PATENT DOCUMENTS

6,264,078	B1	7/2001	Bilang	
D459,883	S *	7/2002	Worrell et al. ....	D3/274
D471,013	S *	3/2003	Peterson .....	D3/301
6,763,940	B1	7/2004	Lai	
6,932,427	B2 *	8/2005	Tamura .....	297/217.1
6,997,507	B2	2/2006	Rhee	
7,757,912	B1 *	7/2010	Fabro .....	224/155
D640,054	S *	6/2011	Custer .....	D3/274
2004/0065518	A1	4/2004	Hoberman	
2008/0023282	A1	1/2008	Duncan	

2009/0183961 A1 7/2009 Whalen et al.

## FOREIGN PATENT DOCUMENTS

CA	1319939	7/1993
CA	1321568	8/1993
CA	2327764	6/2002
CA	2581636	9/2008
CN	201164134	12/2008
WO	2008021793	2/2008

\* cited by examiner

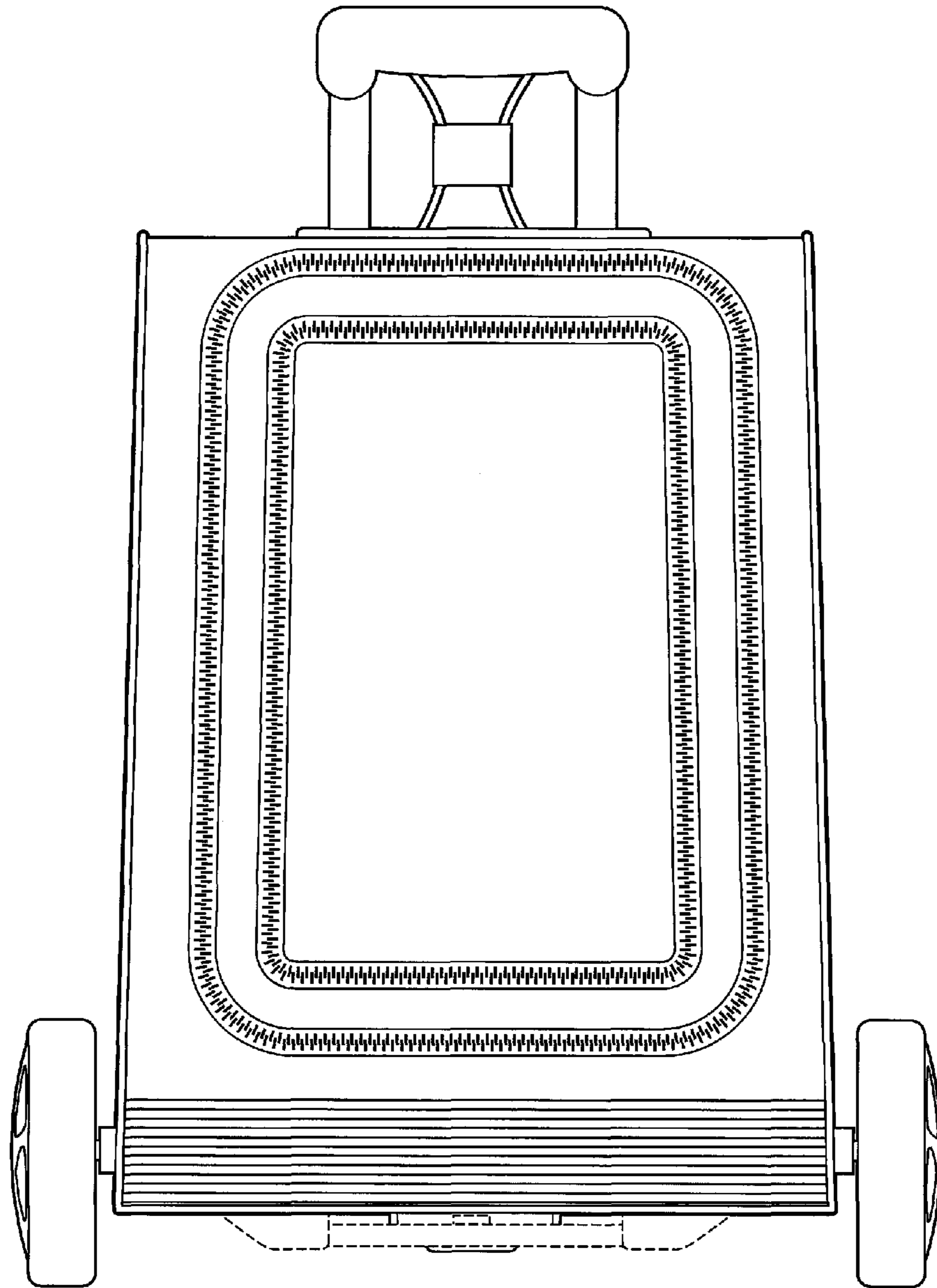


FIG. 1

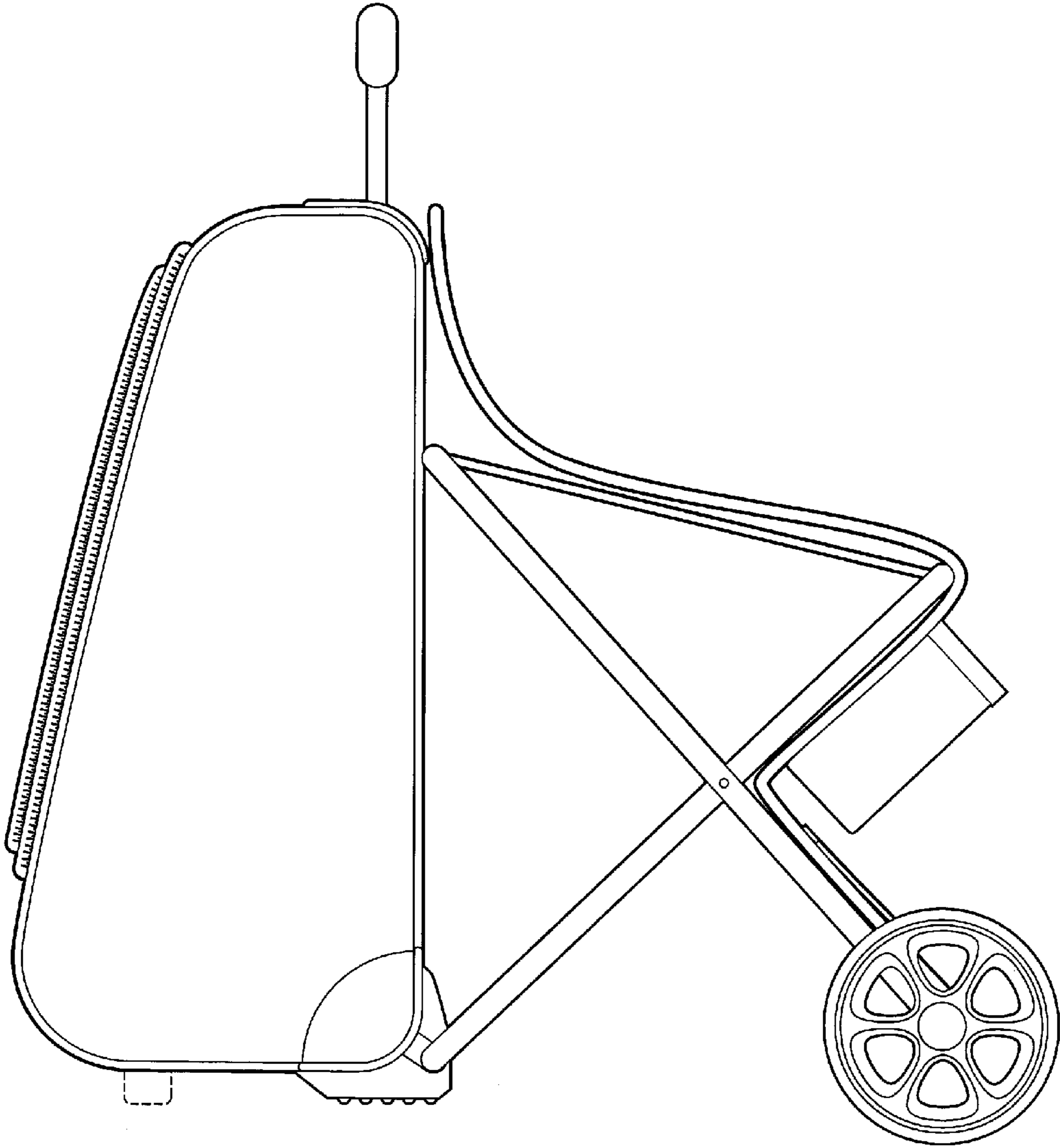


FIG. 2

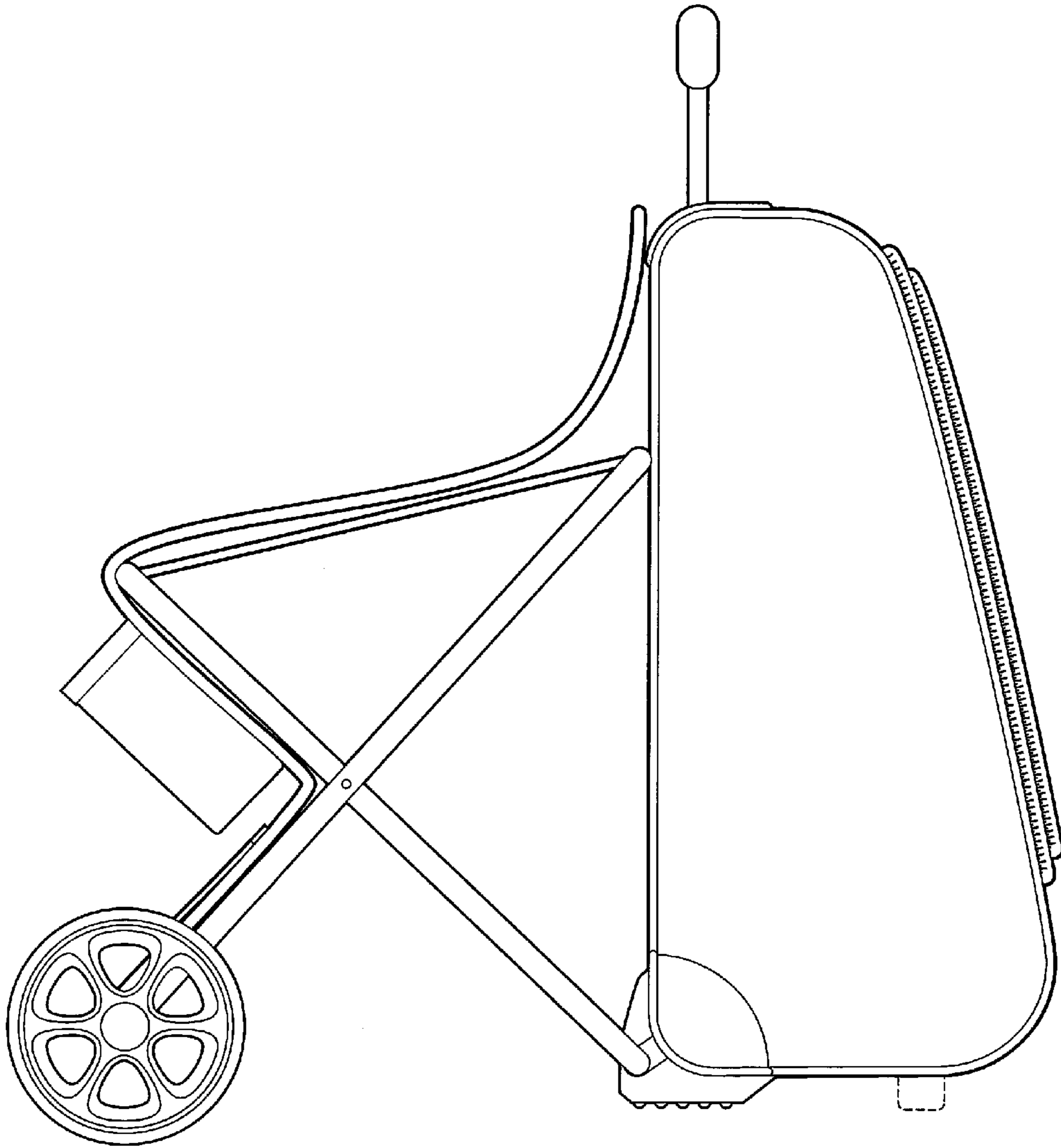


FIG. 3

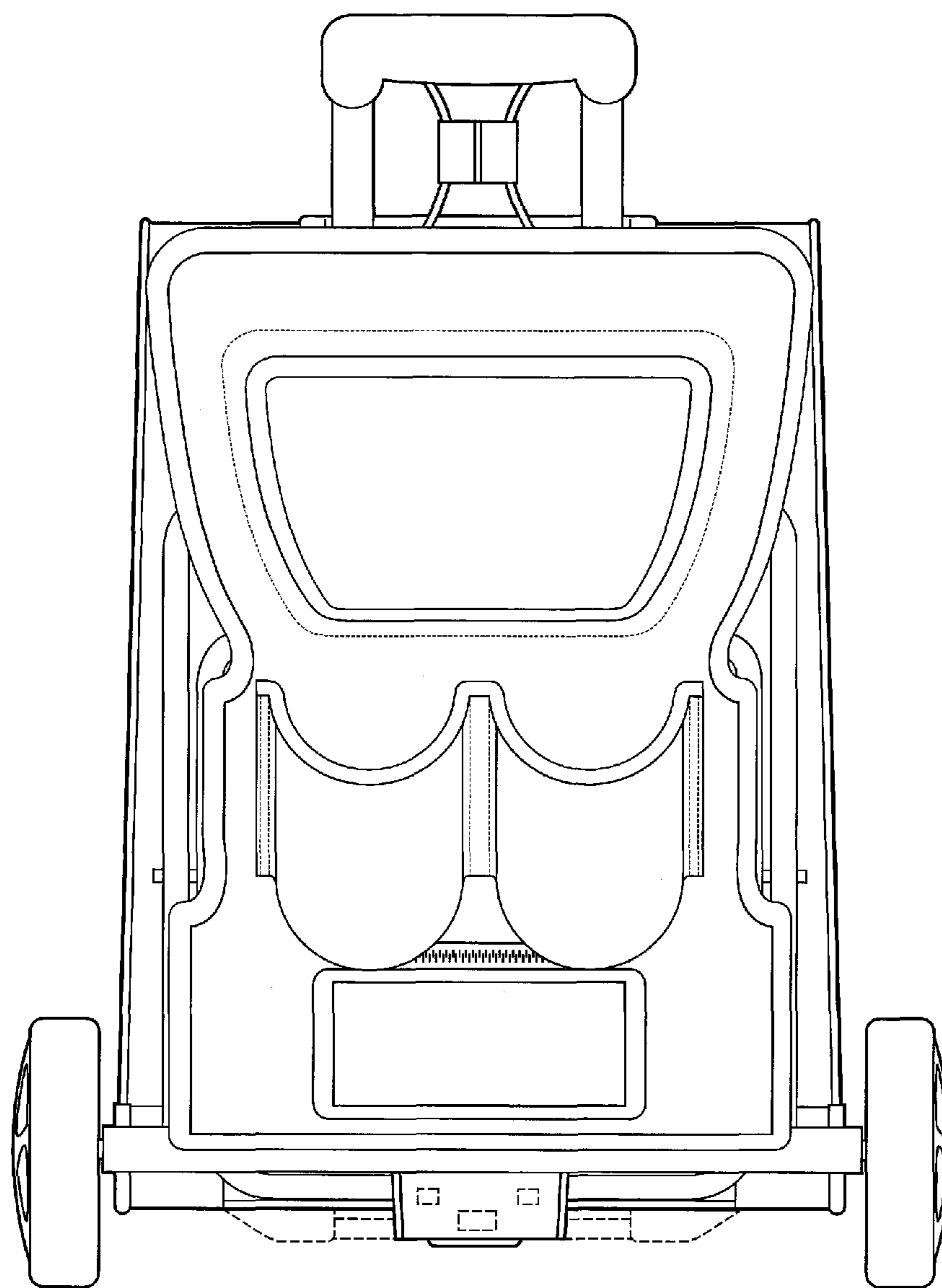


FIG. 4



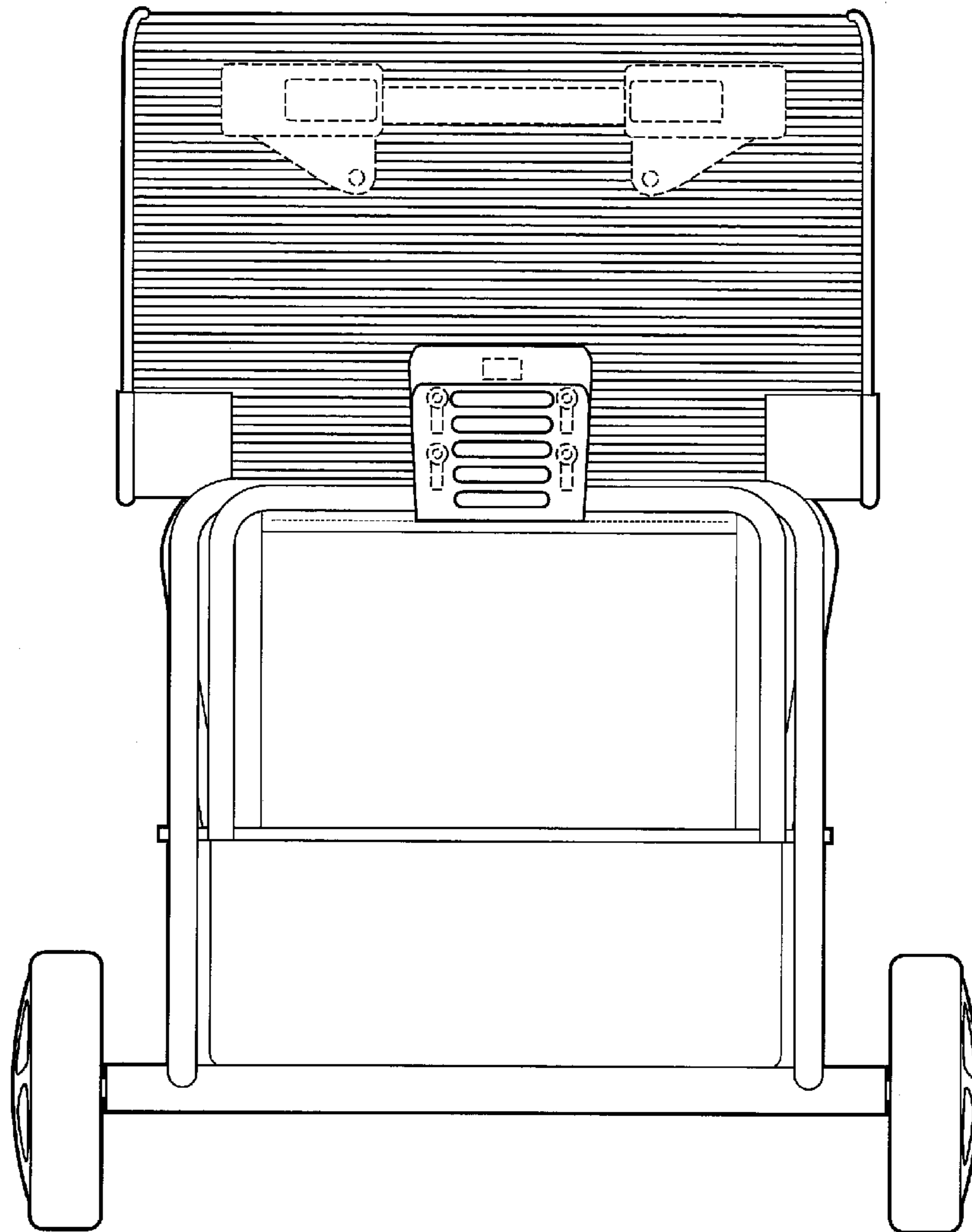


FIG. 5

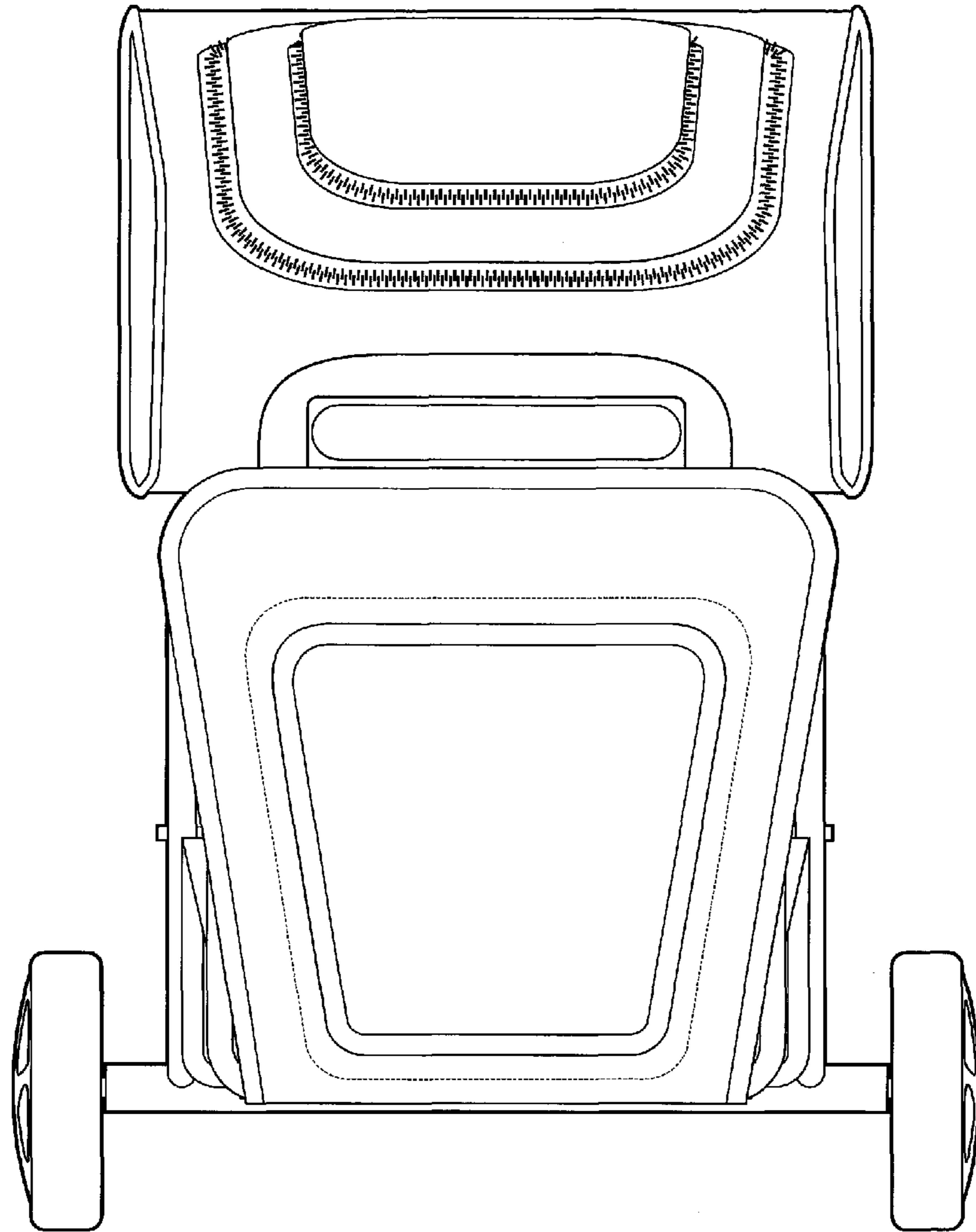


FIG. 6



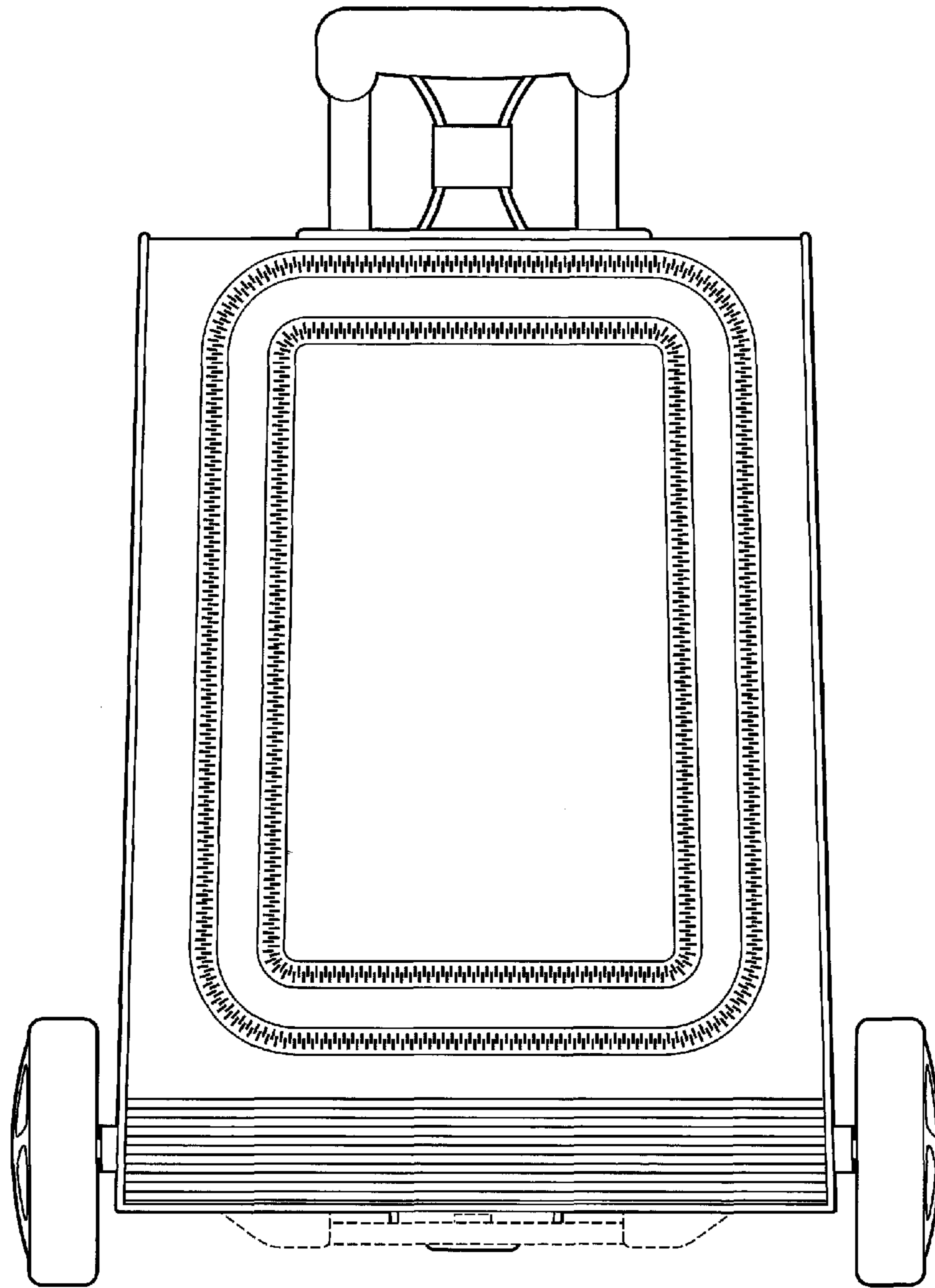


FIG. 7

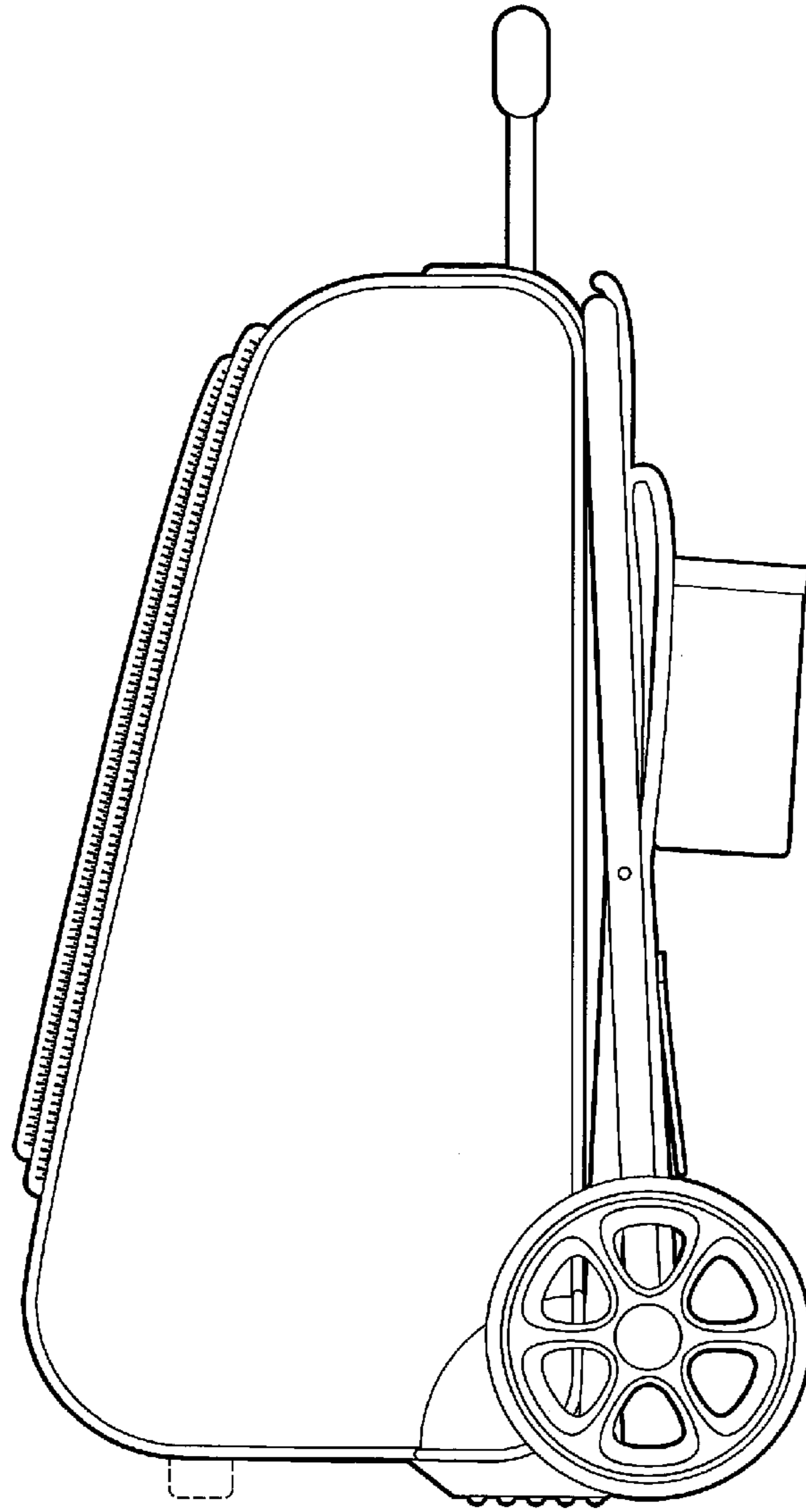


FIG. 8

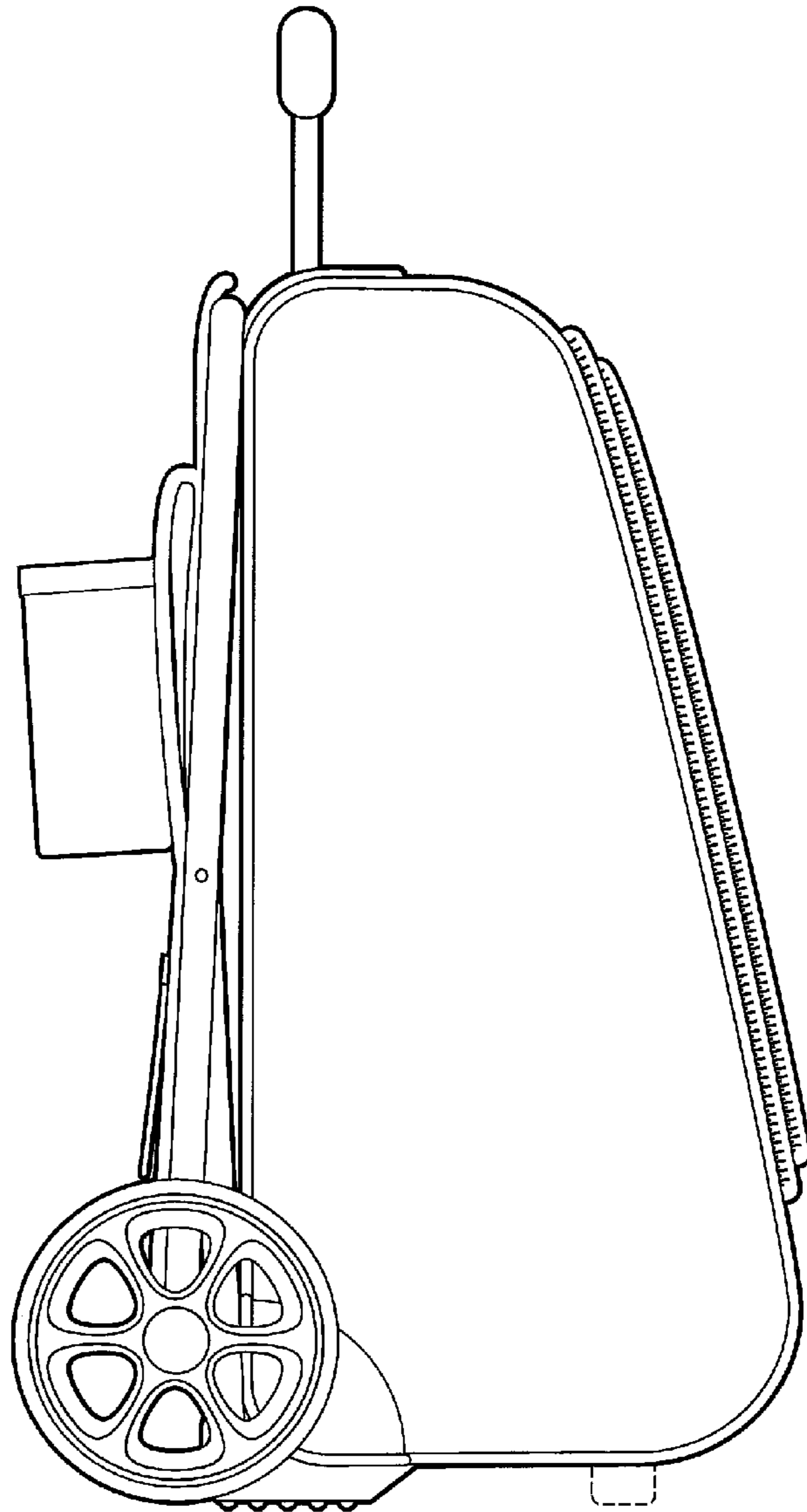


FIG. 9

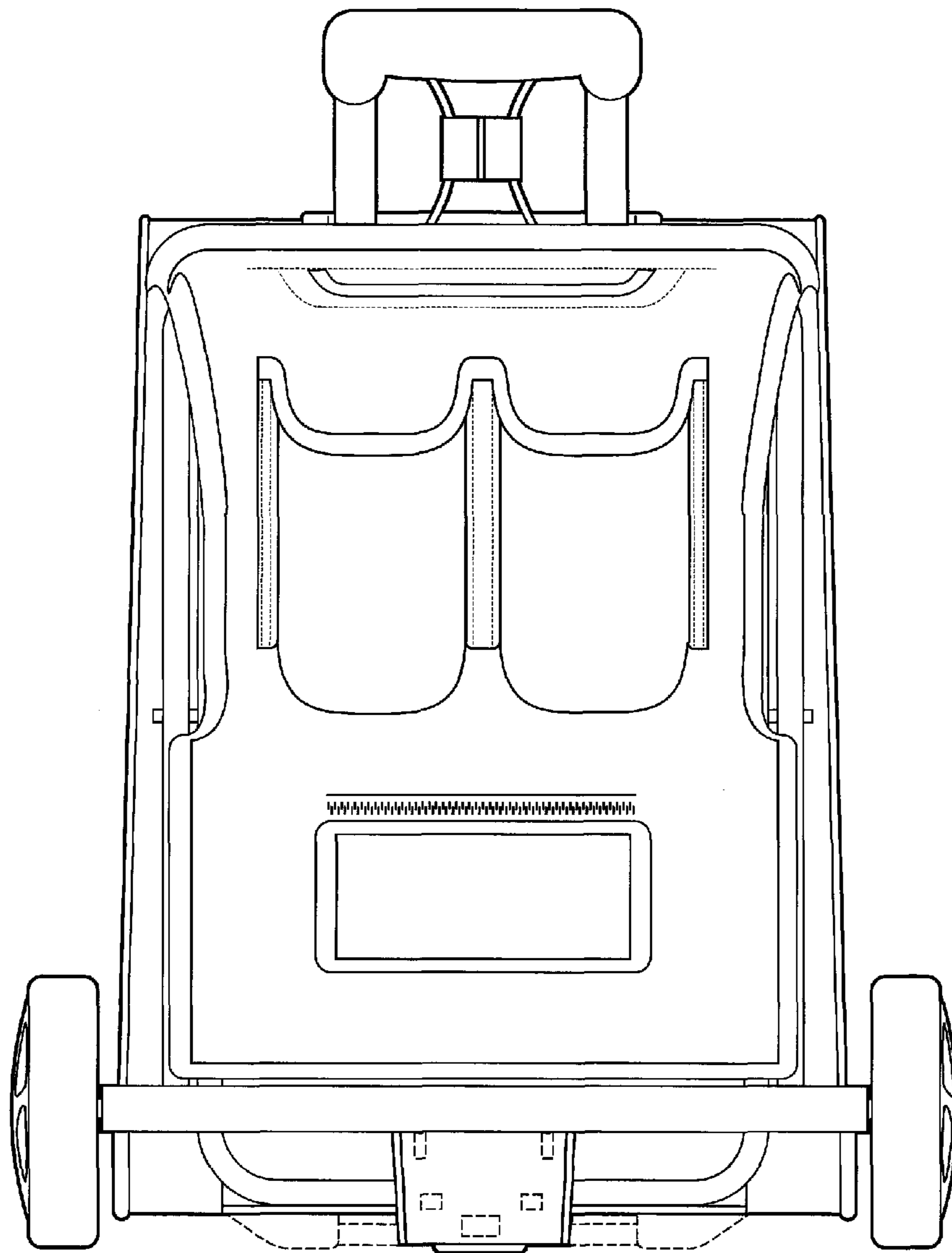


FIG. 10

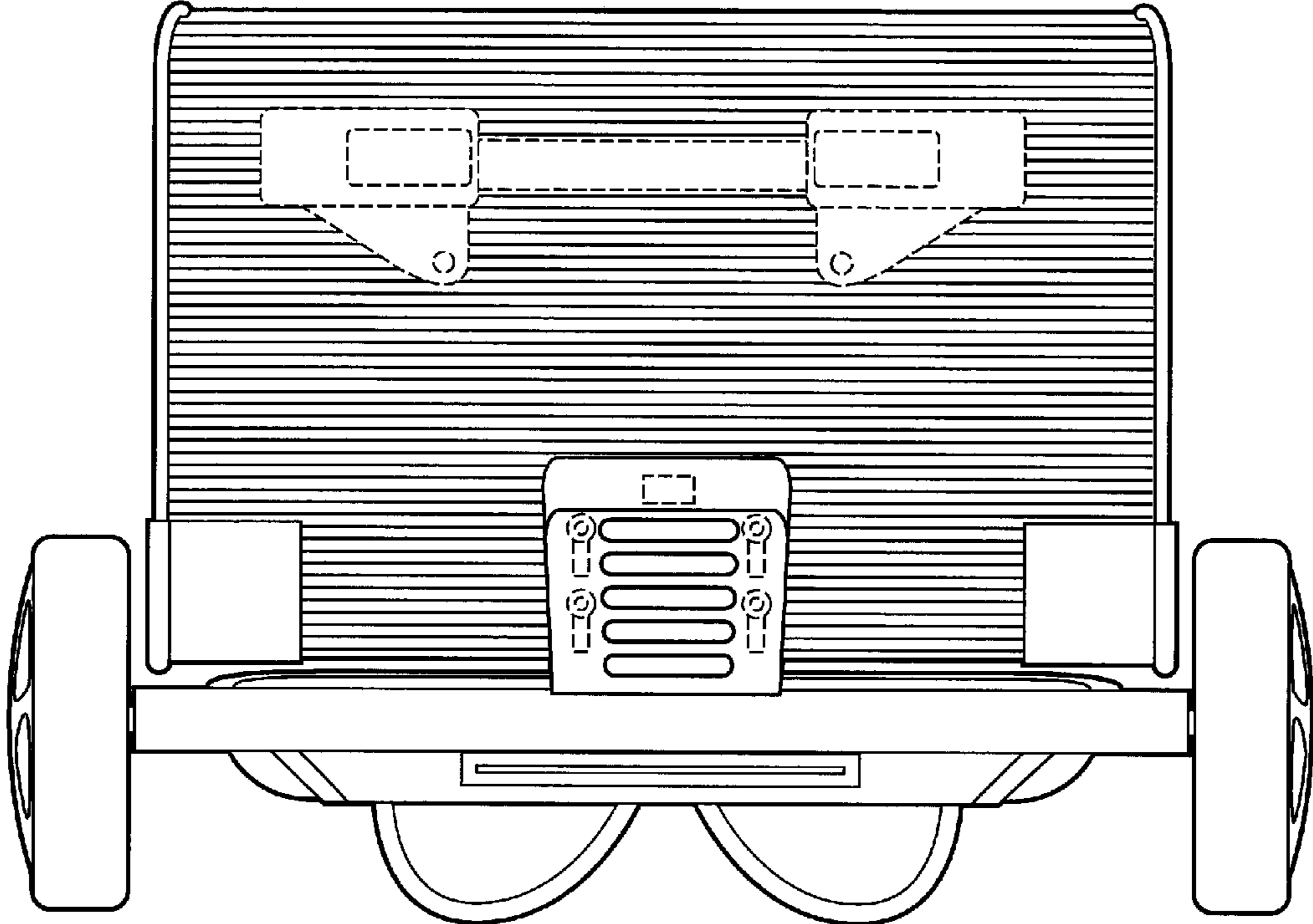


FIG. 11

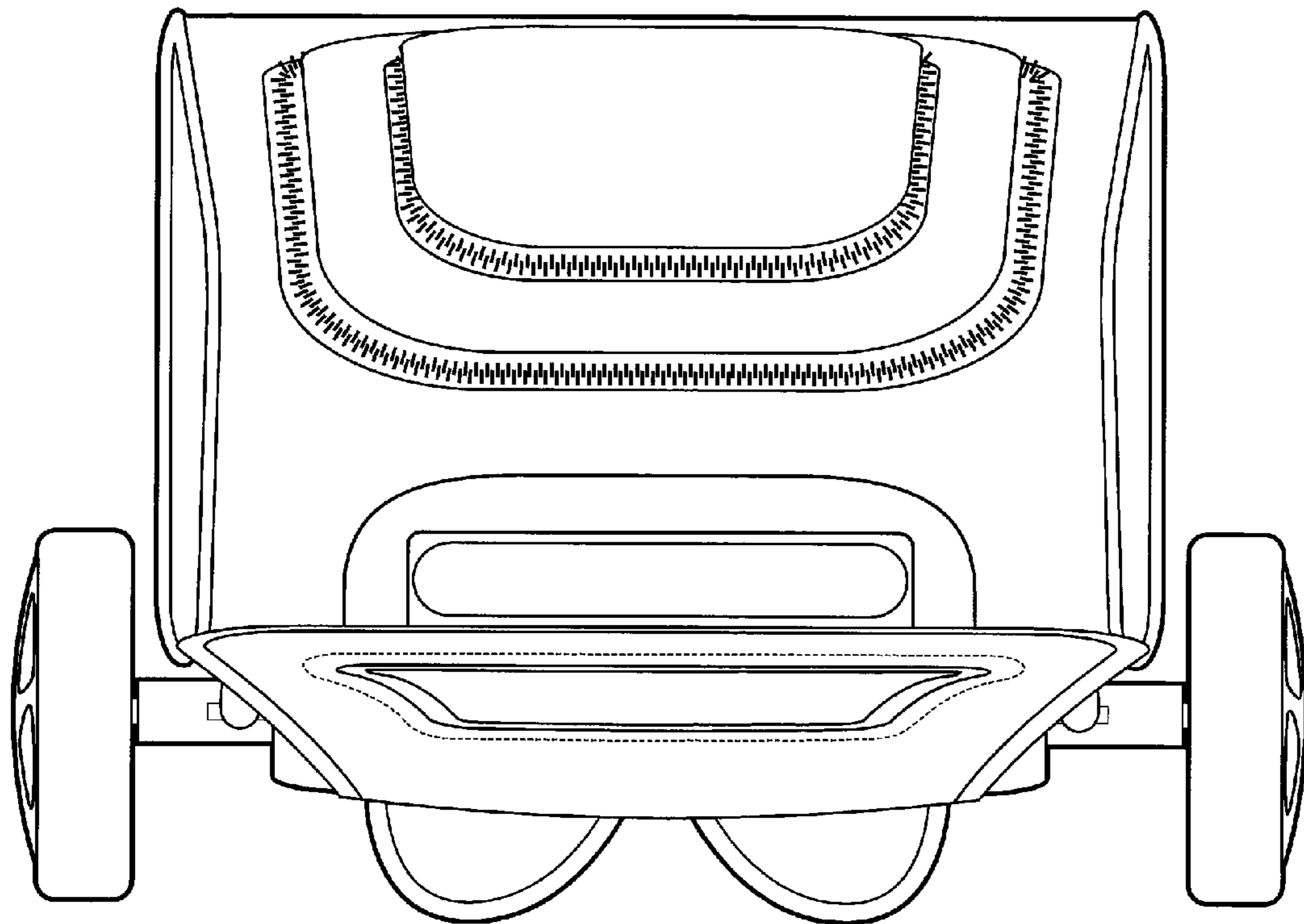


FIG. 12



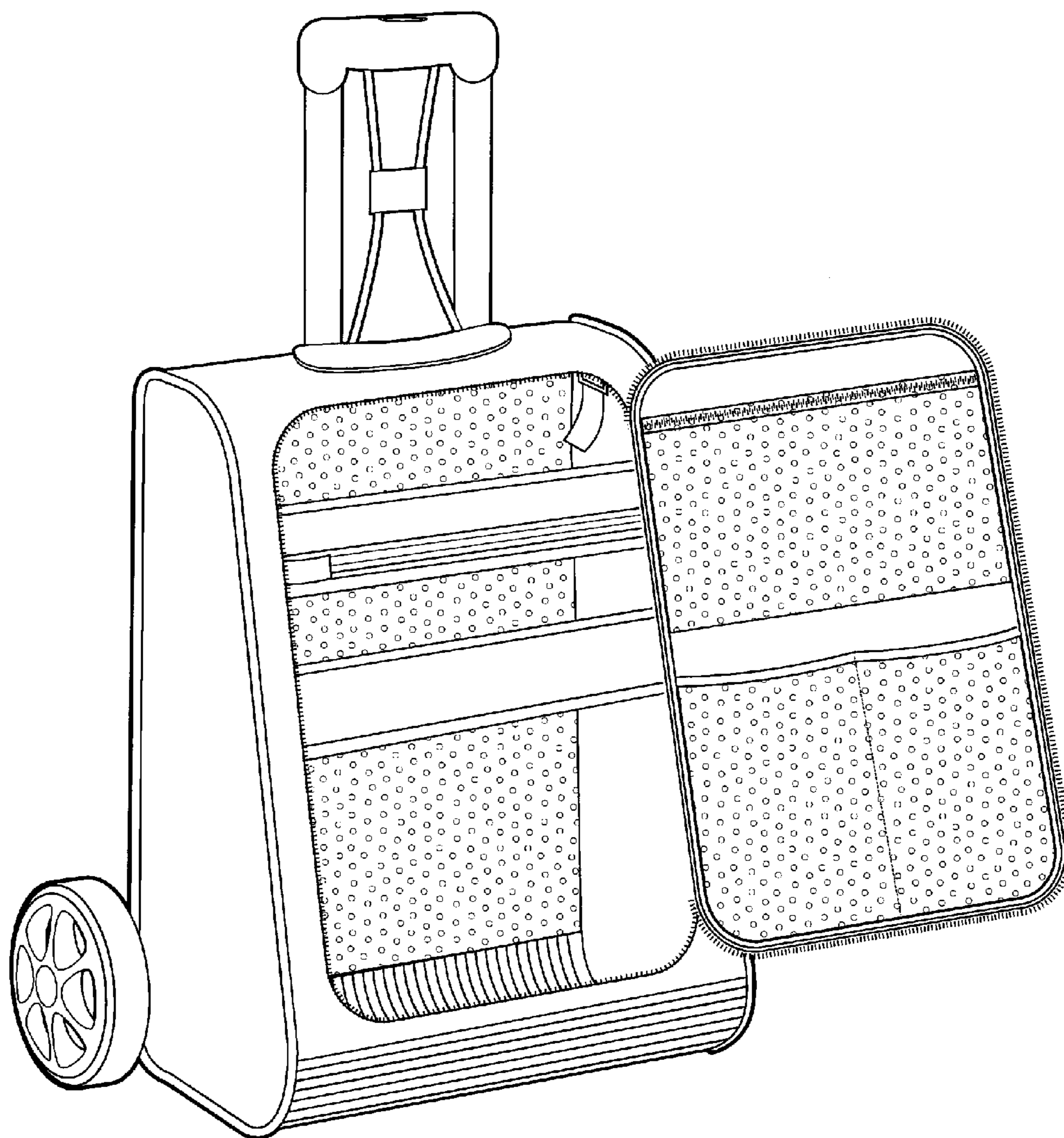


FIG. 13

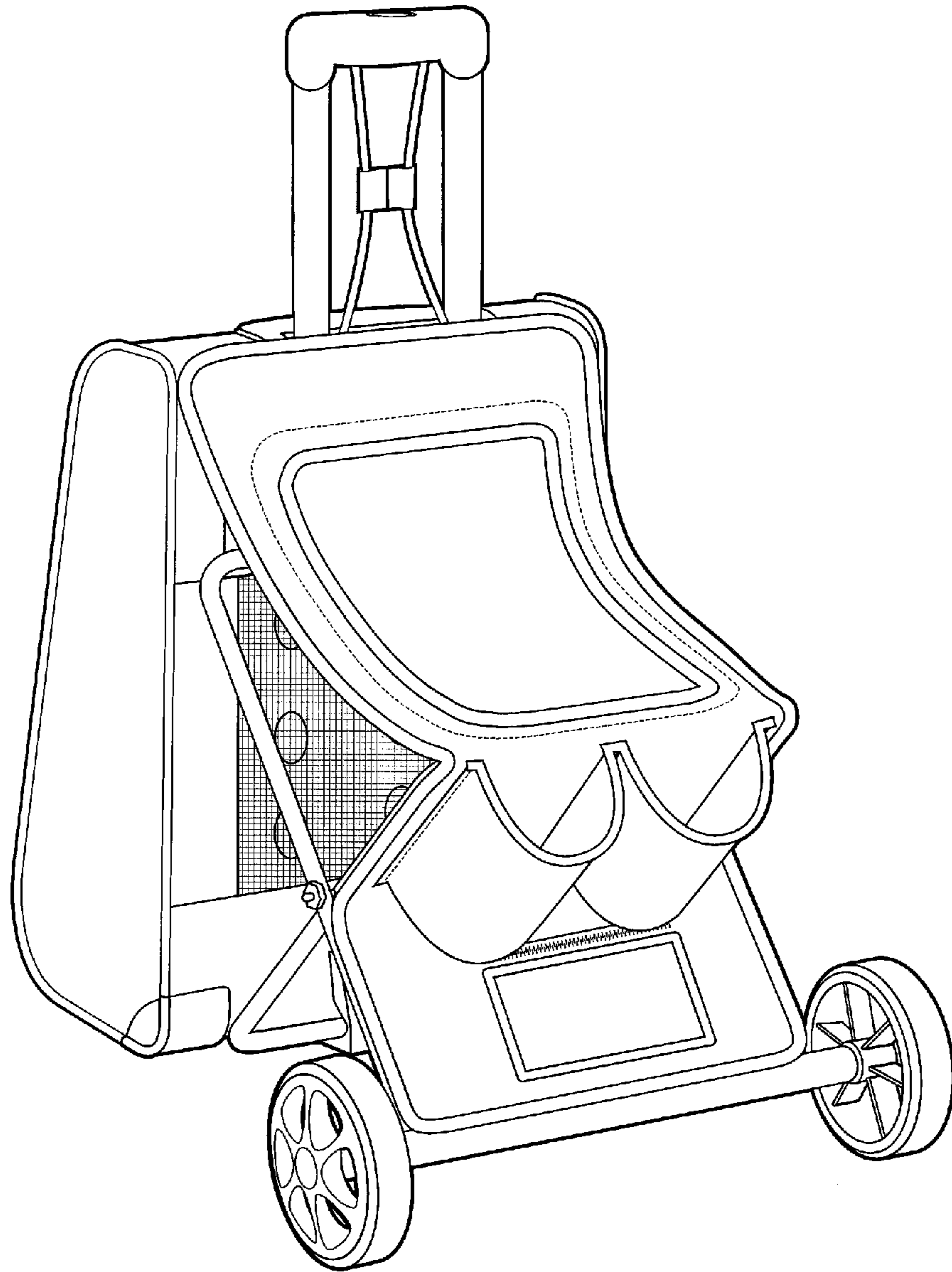


FIG. 14