



US00D662318S

(12) **United States Design Patent**
Guichot

(10) **Patent No.:** **US D662,318 S**
(45) **Date of Patent:** **** Jun. 26, 2012**

(54) **HANDBAG**

(75) Inventor: **Isabelle Guichot**, Paris (FR)

(73) Assignee: **Balenciaga**, Paris (FR)

(**) Term: **14 Years**

(21) Appl. No.: **29/388,227**

(22) Filed: **Mar. 25, 2011**

(30) **Foreign Application Priority Data**

Sep. 27, 2010 (EM) 001236640-0003

(51) **LOC (9) Cl.** **03-01**

(52) **U.S. Cl.** **D3/243**

(58) **Field of Classification Search** D3/232-233,
D3/240-245, 318, 287; 150/100, 103-110,
150/113-114, 118-119

See application file for complete search history.

(56) **References Cited**

U.S. PATENT DOCUMENTS

D578,306 S * 10/2008 Hermann D3/246

D627,558 S * 11/2010 Gerbi D3/232

* cited by examiner

Primary Examiner — Holly Baynham

(74) *Attorney, Agent, or Firm* — Collen IP; Donald J. Ranft

(57) **CLAIM**

The ornamental design for a handbag, as shown.

DESCRIPTION

FIG. 1 is a front view of my new, original and ornamental design for a handbag;

FIG. 2 is a rear view thereof;

FIG. 3 is a right side view thereof;

FIG. 4 is a left side view thereof;

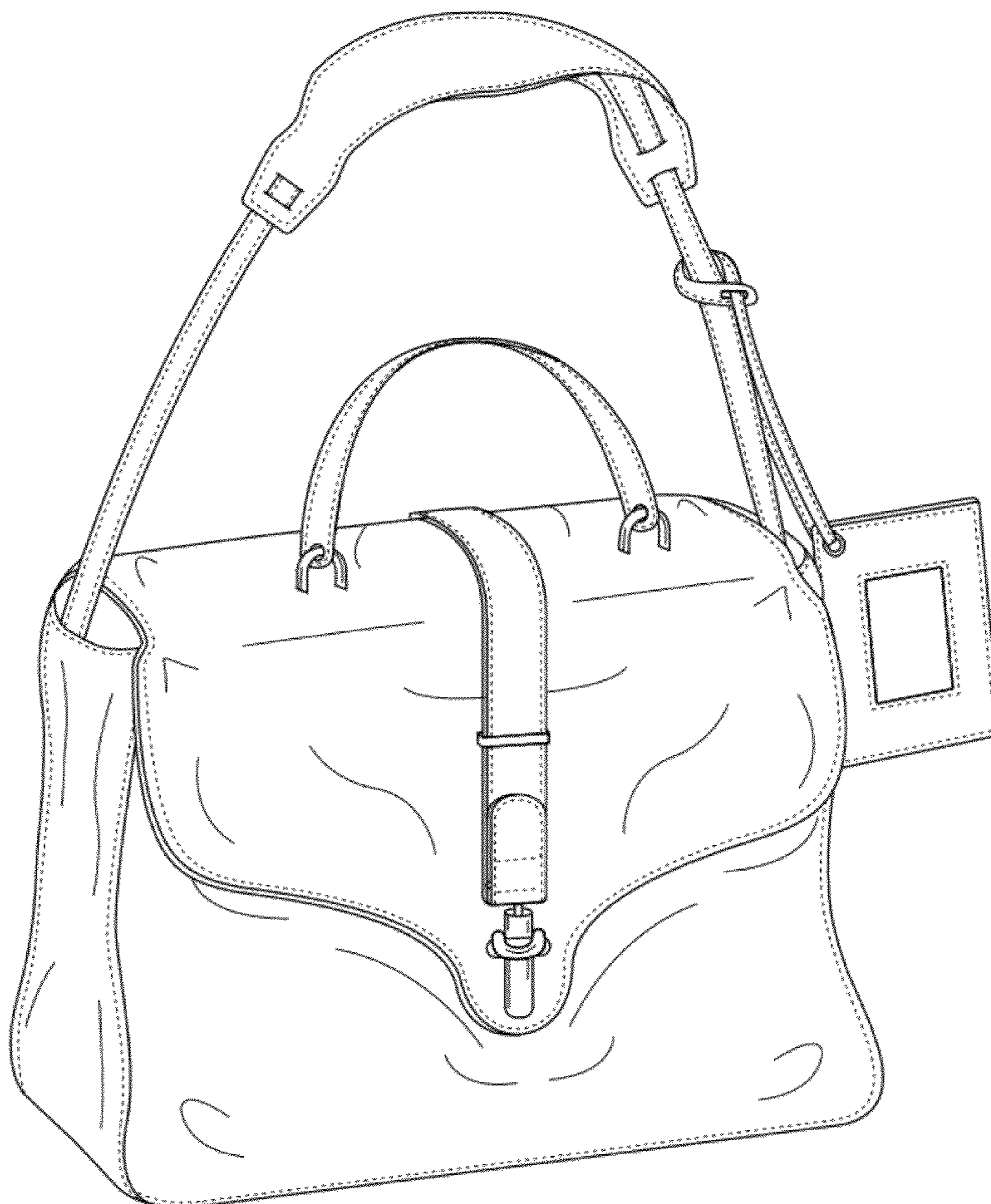
FIG. 5 is a top view thereof;

FIG. 6 is a bottom view thereof;

FIG. 7 is a front left perspective view thereof; and,

FIG. 8 is a left side view with shoulder strap hanging down to expose handbag handle.

1 Claim, 6 Drawing Sheets



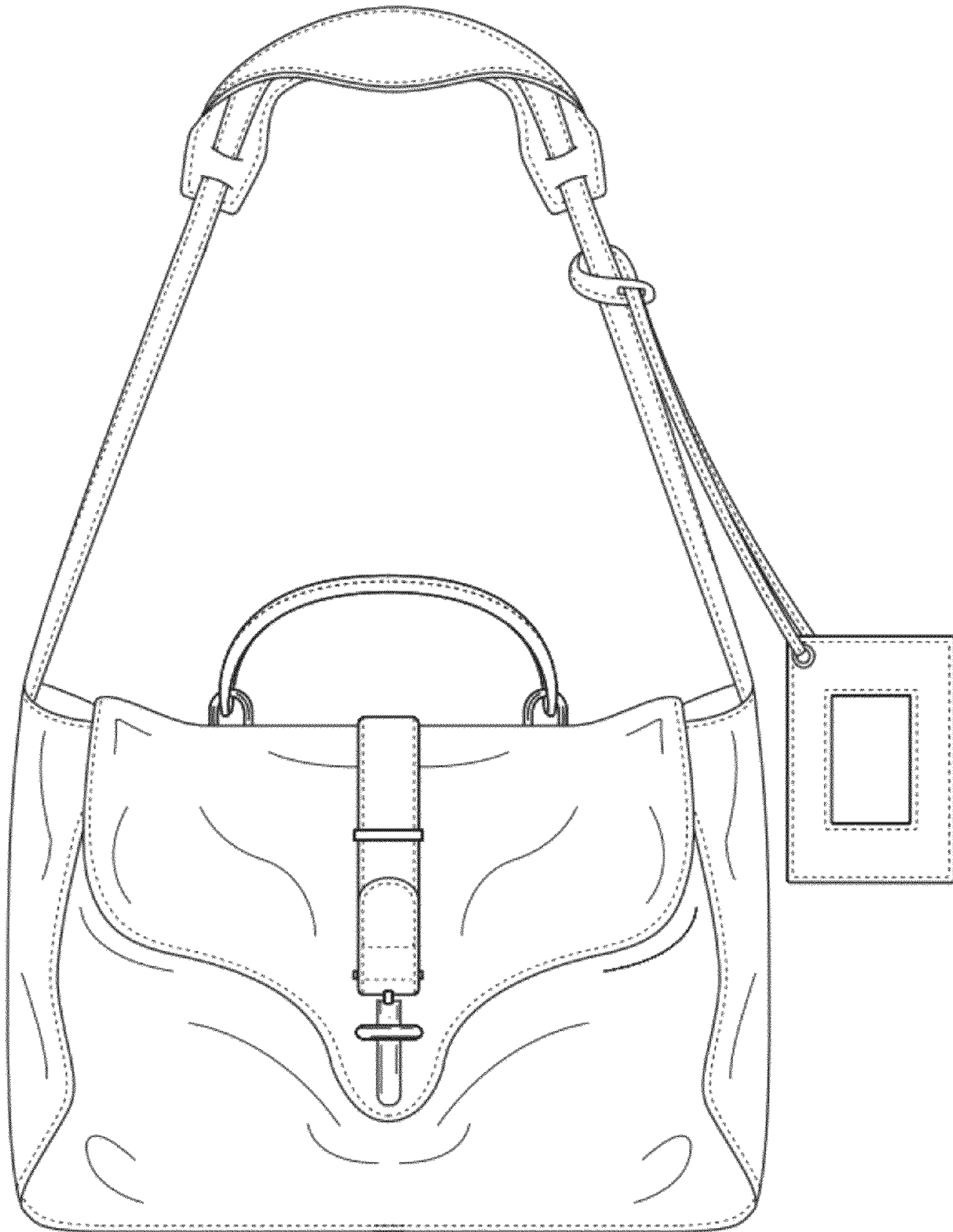


Fig. 1

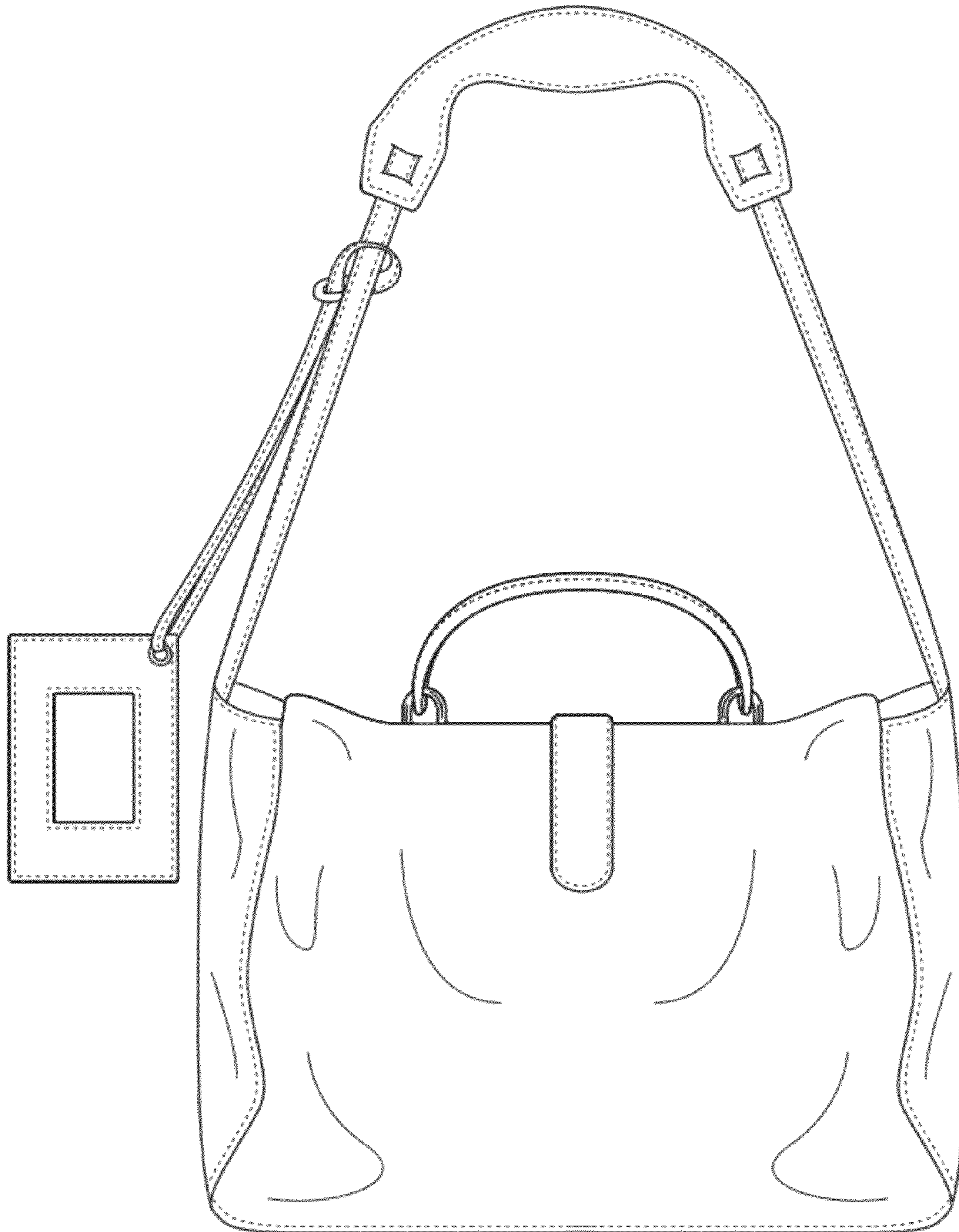


Fig. 2

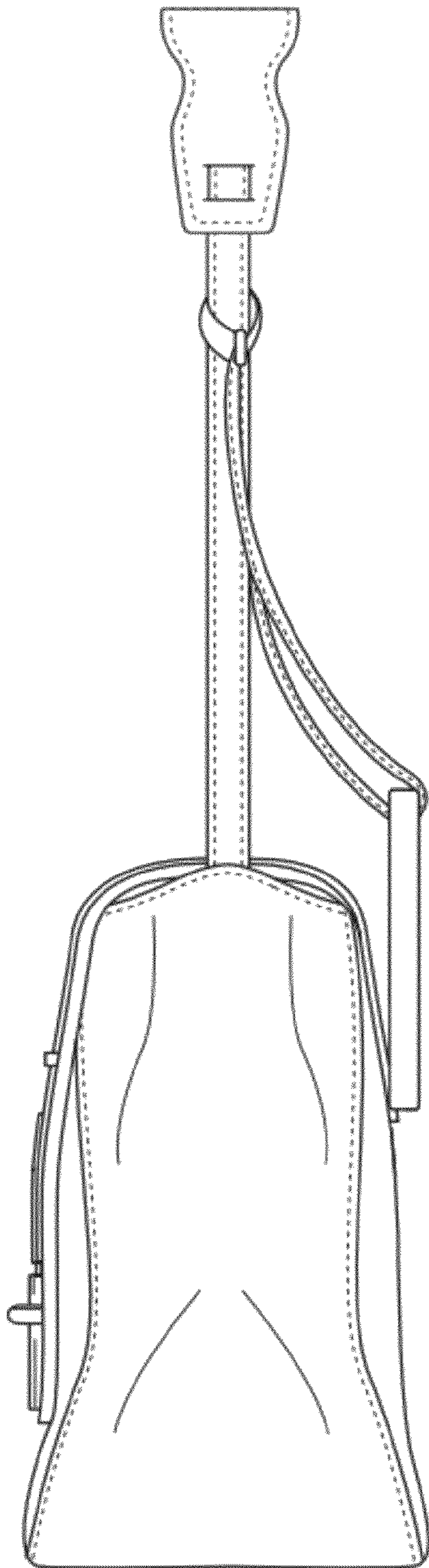


Fig. 3

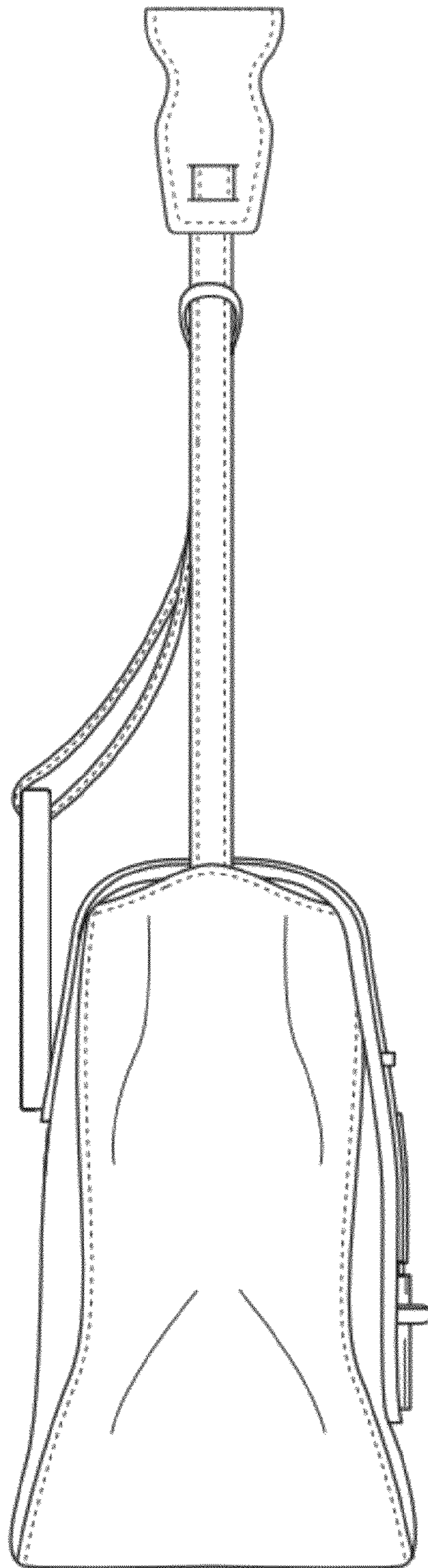


Fig. 4

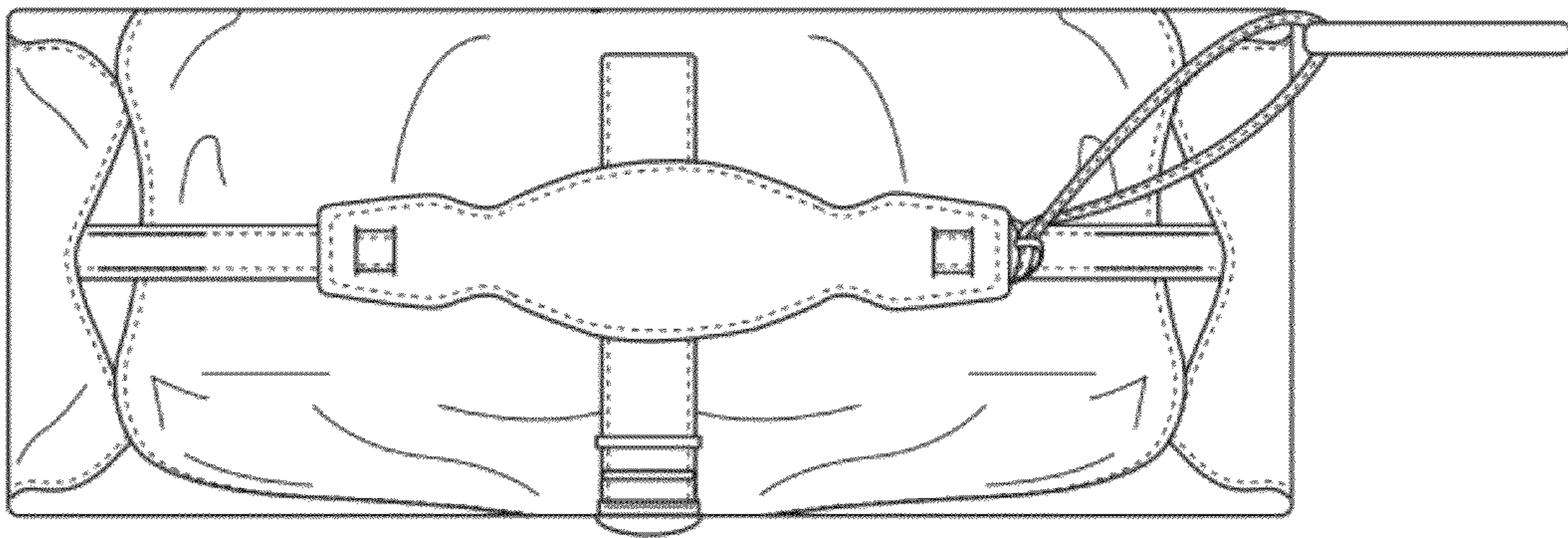


Fig. 5

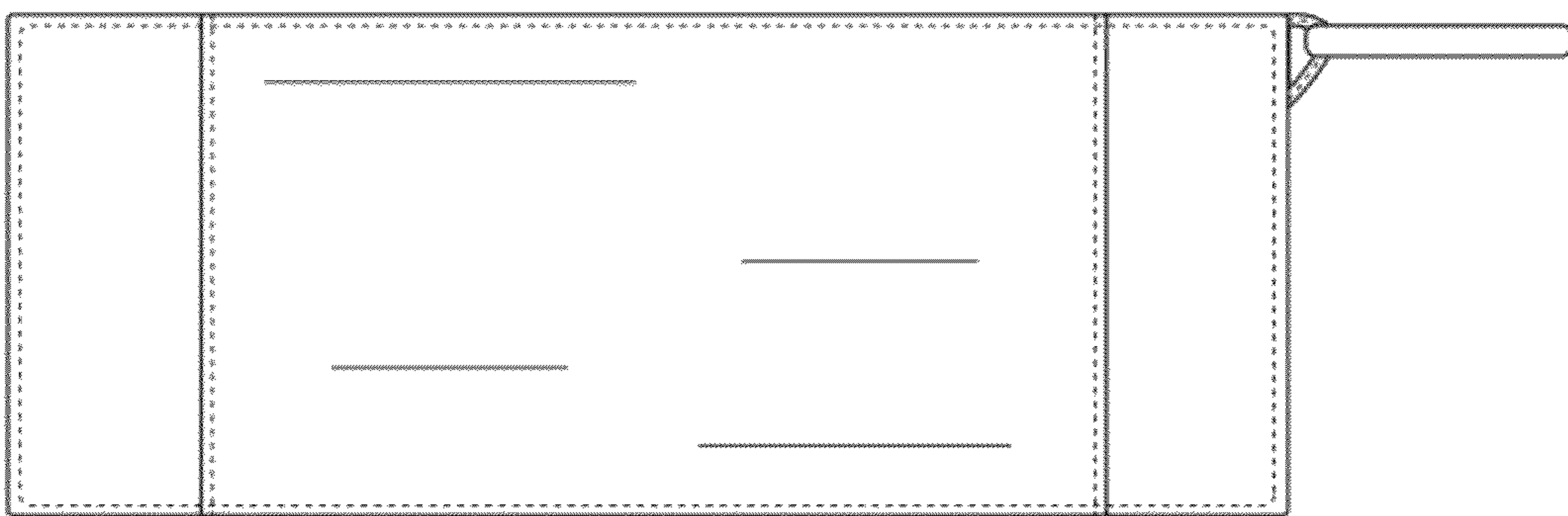


Fig. 6

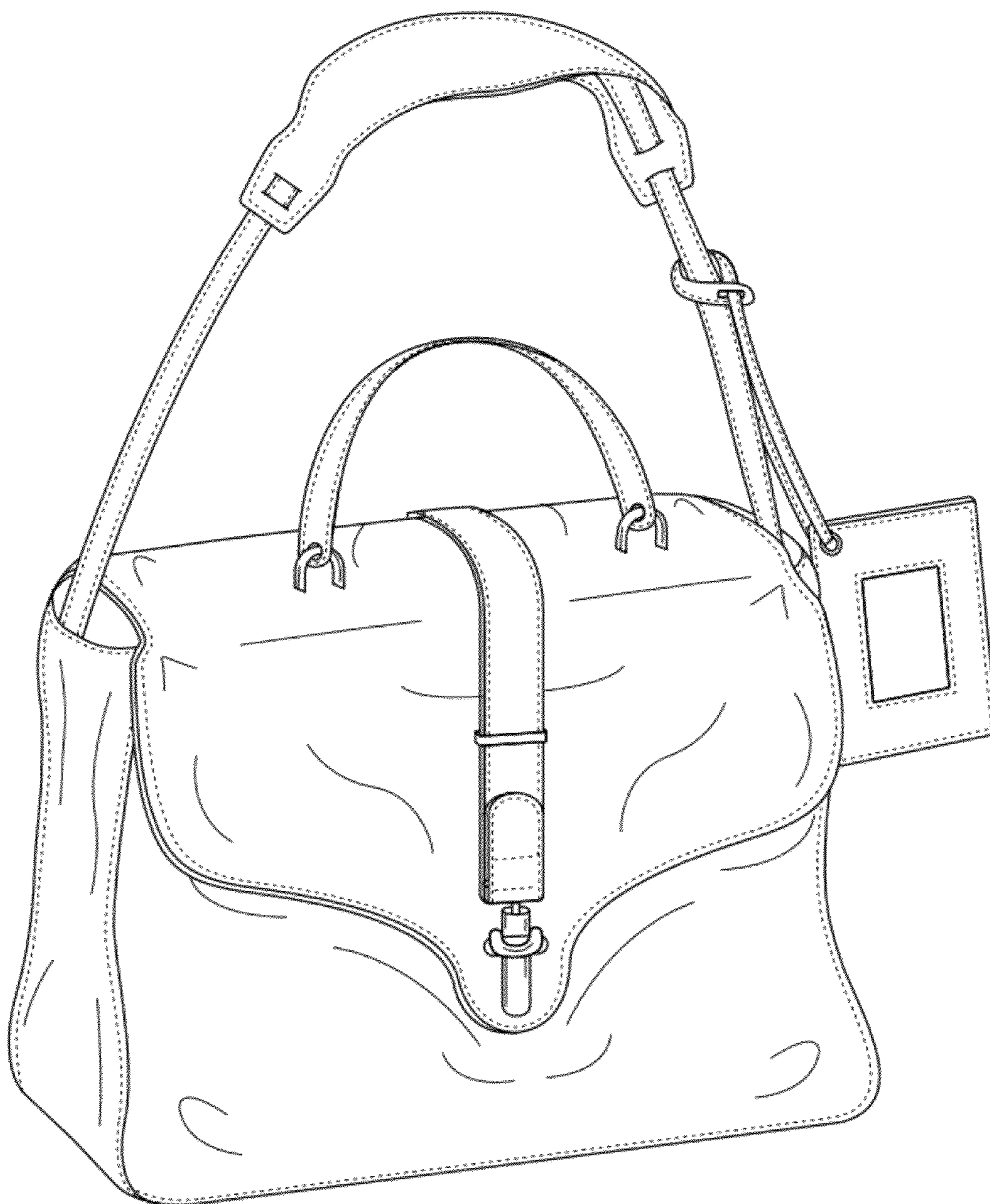


Fig. 7

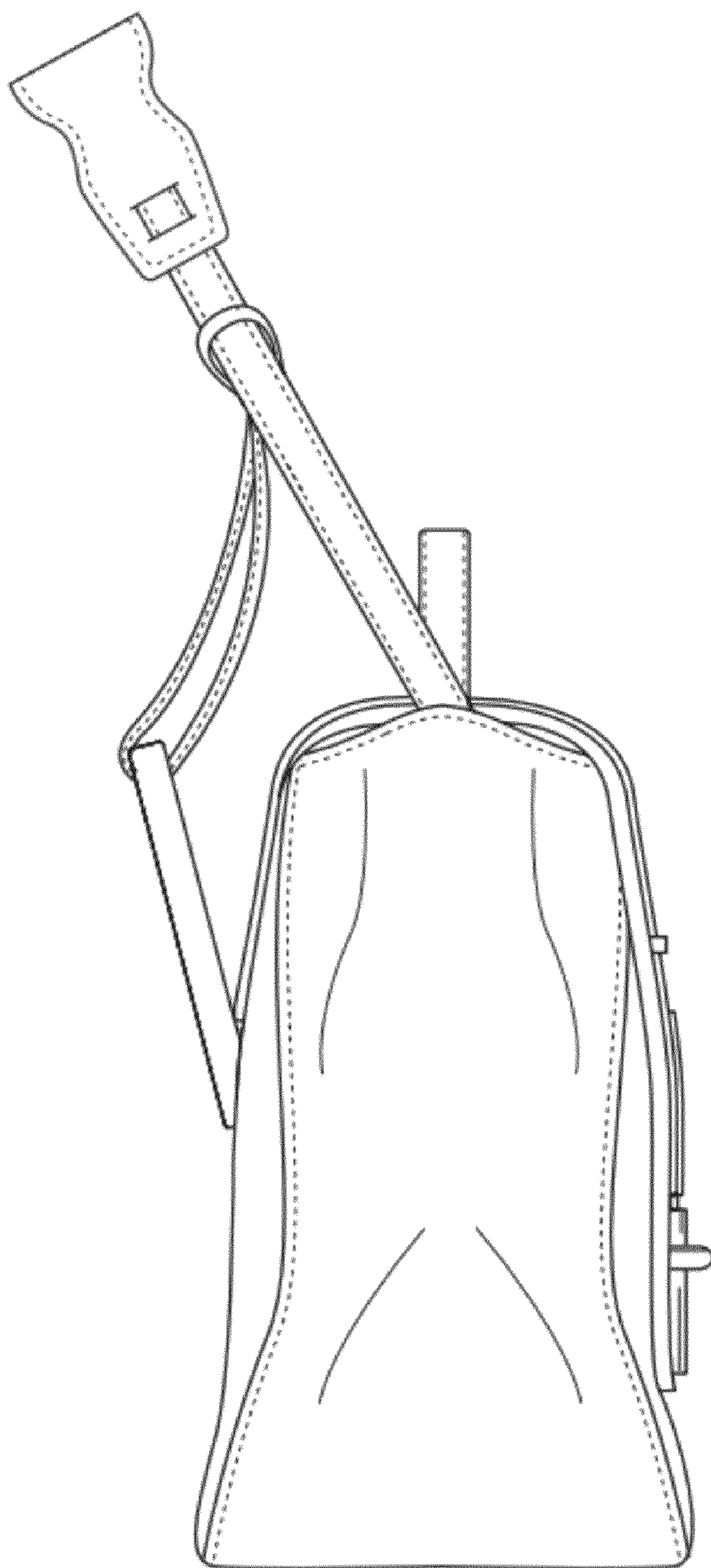


Fig. 8