



US00D662316S

(12) **United States Design Patent**
Nitkin

(10) **Patent No.:** **US D662,316 S**

(45) **Date of Patent:** **** Jun. 26, 2012**

(54) **DUFFEL BAG**

(76) Inventor: **Andrew J. Nitkin, Yardley, PA (US)**

(**) Term: **14 Years**

(21) Appl. No.: **29/359,646**

(22) Filed: **Apr. 14, 2010**

(51) **LOC (9) Cl.** **03-01**

(52) **U.S. Cl.** **D3/217**

(58) **Field of Classification Search** D3/214,
D3/215, 216, 217, 270, 279; D2/830; 224/153,
224/576, 577, 578

See application file for complete search history.

(56) **References Cited**

U.S. PATENT DOCUMENTS

3,019,952	A *	2/1962	Brewster	294/142
4,773,574	A *	9/1988	Burgard	224/155
D359,646	S *	6/1995	Ozeki	D6/626
D388,610	S *	1/1998	Horne	D3/279
5,957,355	A *	9/1999	Swetish	224/627
D418,972	S *	1/2000	Gold	D3/217
D438,712	S *	3/2001	Chapman	D3/217
6,202,910	B1 *	3/2001	Swetish	224/627
D460,614	S *	7/2002	Reimers et al.	D3/217
6,422,439	B1 *	7/2002	Kelliher et al.	224/148.2
6,471,105	B1 *	10/2002	Ammerman et al.	224/625
D484,686	S *	1/2004	Nordstrom et al.	D3/217
D485,061	S *	1/2004	Noell et al.	D3/226
D512,220	S *	12/2005	Van Himbeeck	D3/279
D517,801	S *	3/2006	Woo	D3/217
D554,853	S *	11/2007	Bihn	D3/217
D590,148	S *	4/2009	Lin	D3/217
7,594,569	B2 *	9/2009	Bass et al.	190/108
D603,157	S *	11/2009	Hutchinson	D3/217

D604,503	S *	11/2009	Patadia et al.	D3/217
D630,427	S *	1/2011	McGuire	D3/216
2008/0149676	A1 *	6/2008	Bartel	224/628
2008/0210728	A1 *	9/2008	Bihn	224/576
2010/0176171	A1 *	7/2010	Araujo et al.	224/600

* cited by examiner

Primary Examiner — T. Chase Nelson

(74) *Attorney, Agent, or Firm* — Edell, Shapiro & Finnan, LLC

(57) **CLAIM**

The ornamental design for a duffel bag, as shown and described.

DESCRIPTION

FIG. 1 is a right side view in elevation showing my design without its strap;

FIG. 2 is a left side view in elevation thereof;

FIG. 3 is a top view in plan thereof;

FIG. 4 is a bottom view in plan thereof;

FIG. 5 is a front view in elevation thereof;

FIG. 6 is a rear view in elevation thereof;

FIG. 7 is a right side view in elevation showing my design with its strap;

FIG. 8 is a left side view in elevation thereof;

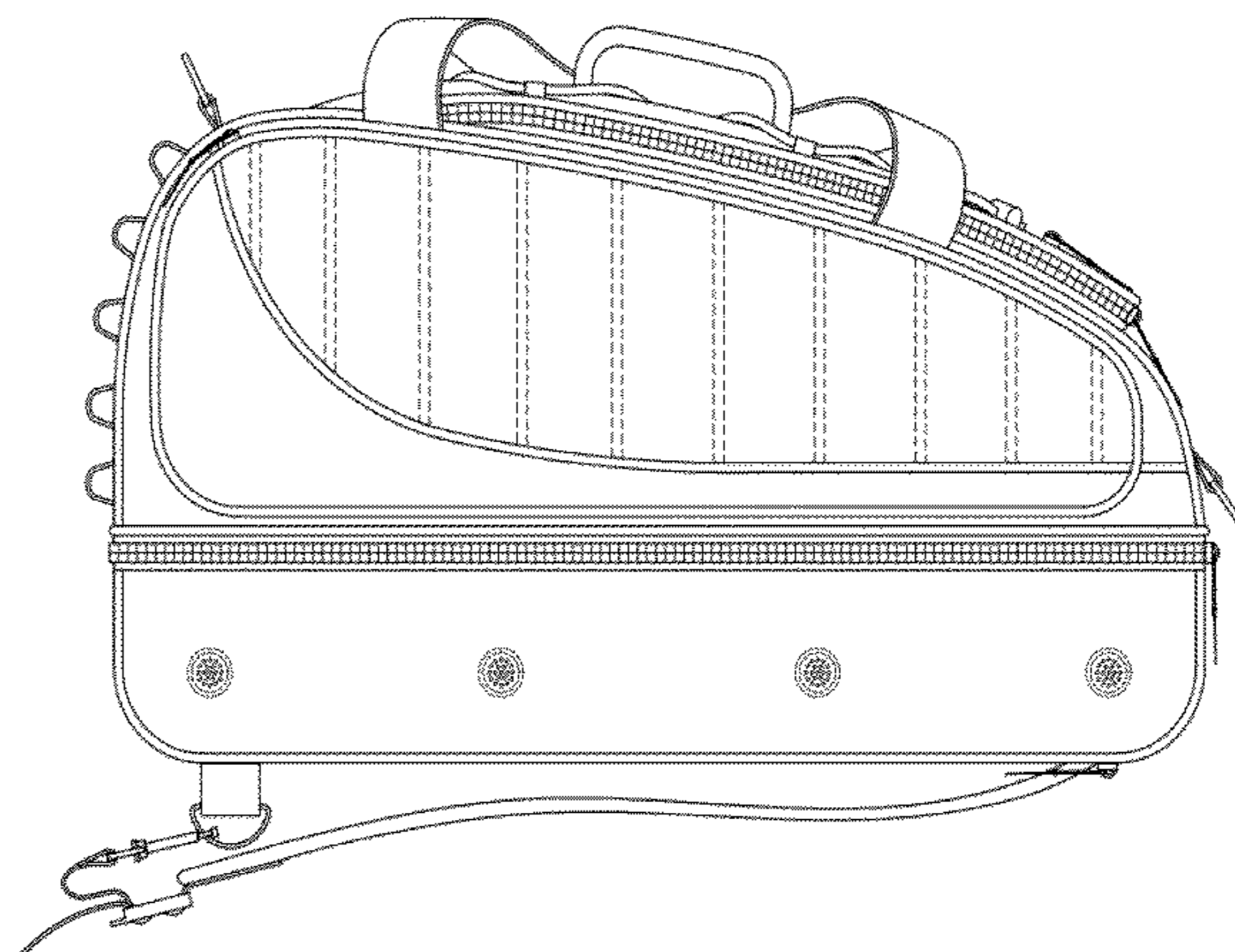
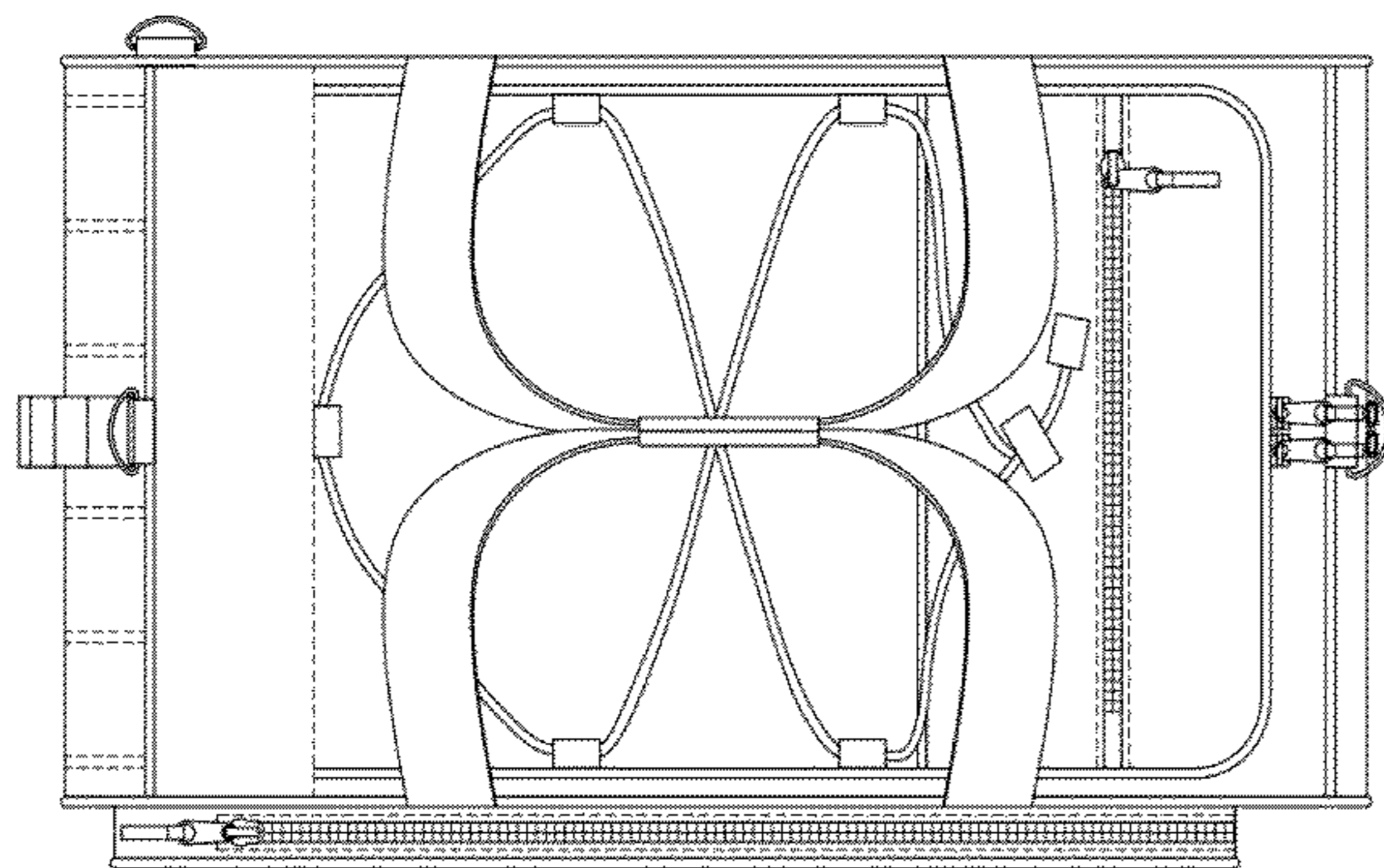
FIG. 9 is a top view in plan thereof;

FIG. 10 is a front view in elevation thereof; and,

FIG. 11 is a rear view in elevation thereof.

Broken lines appearing throughout the drawings as circular elements represent vents and are not part of the claimed design.

1 Claim, 11 Drawing Sheets



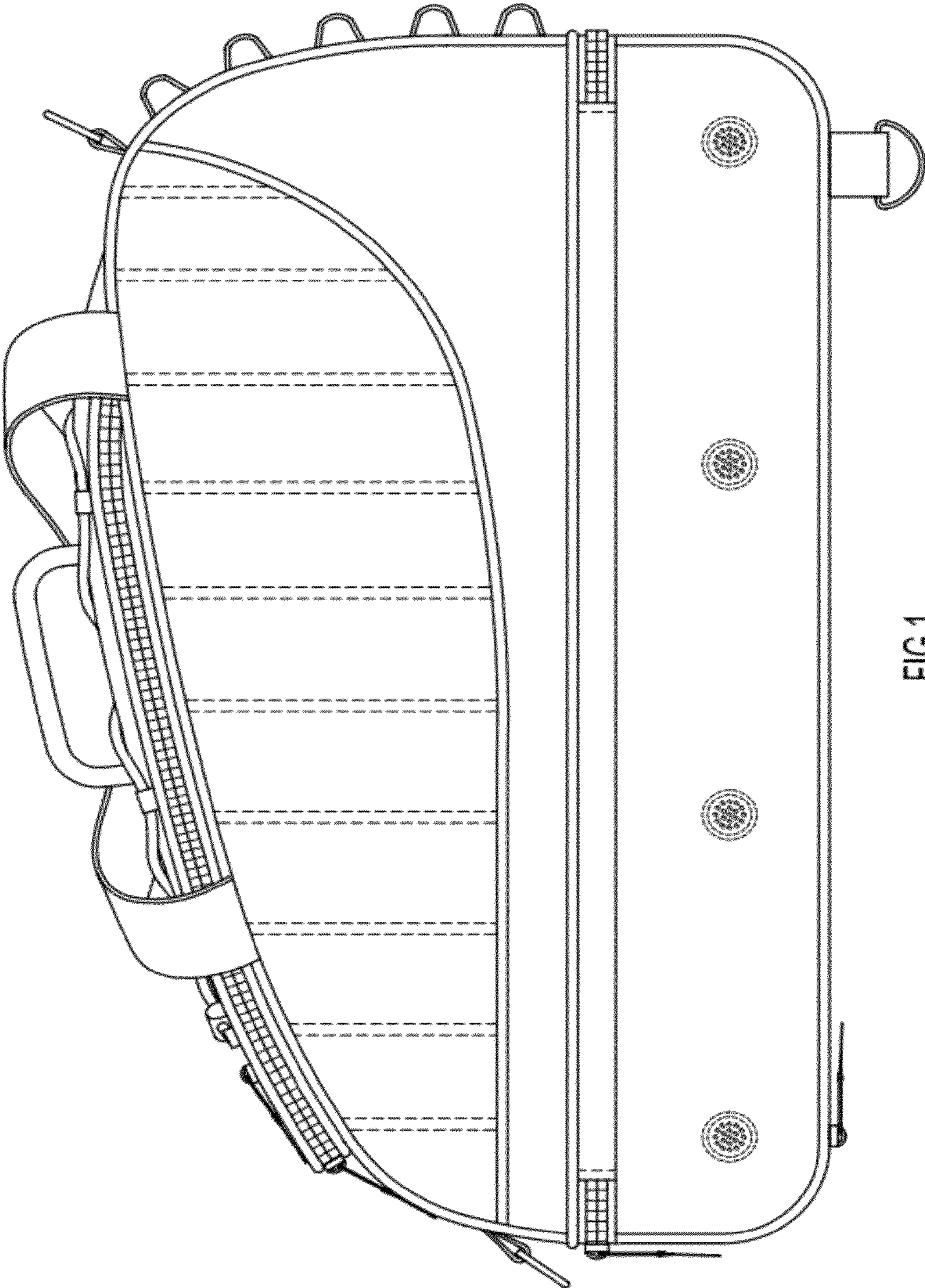


FIG.1

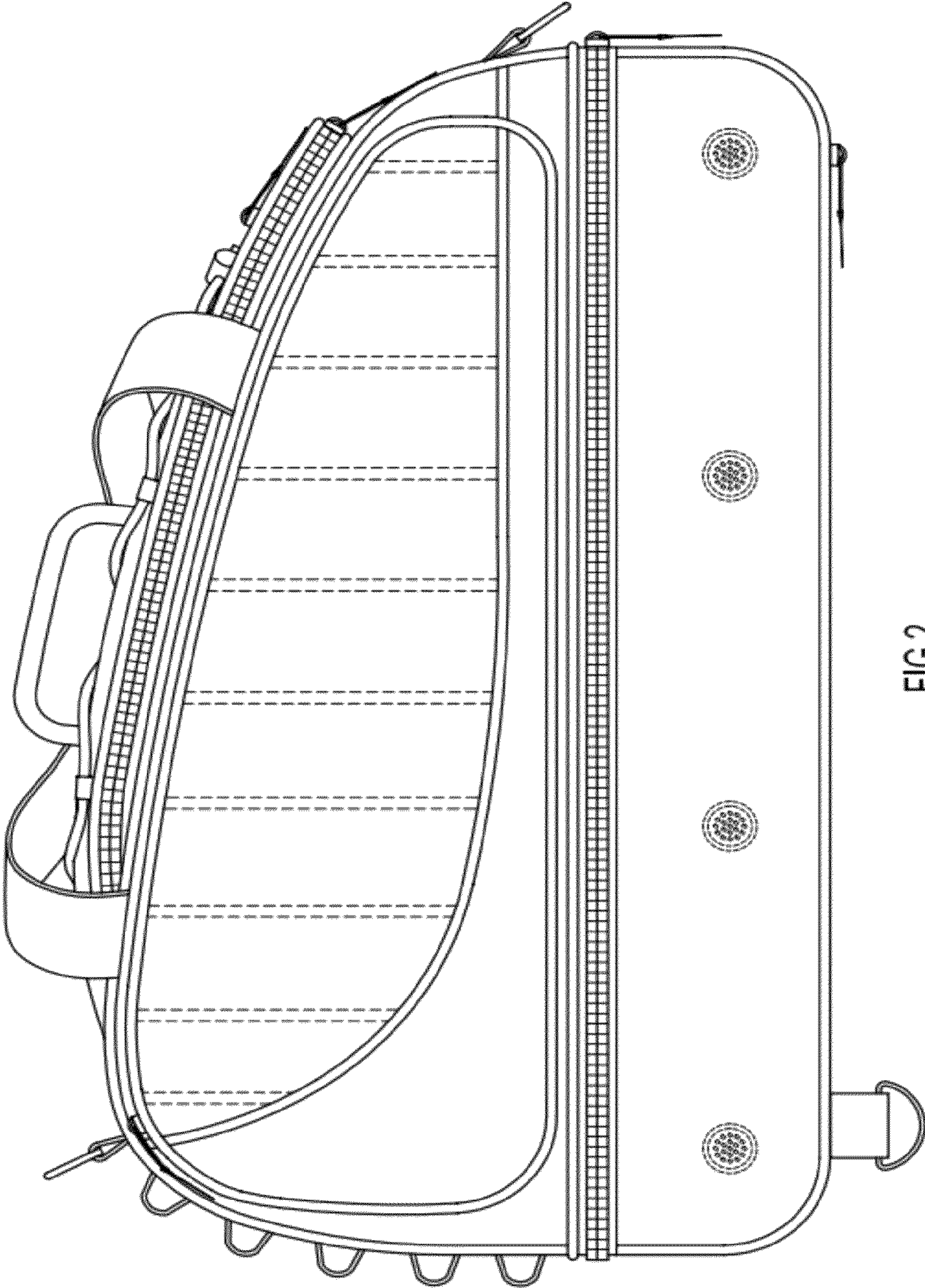


FIG.2

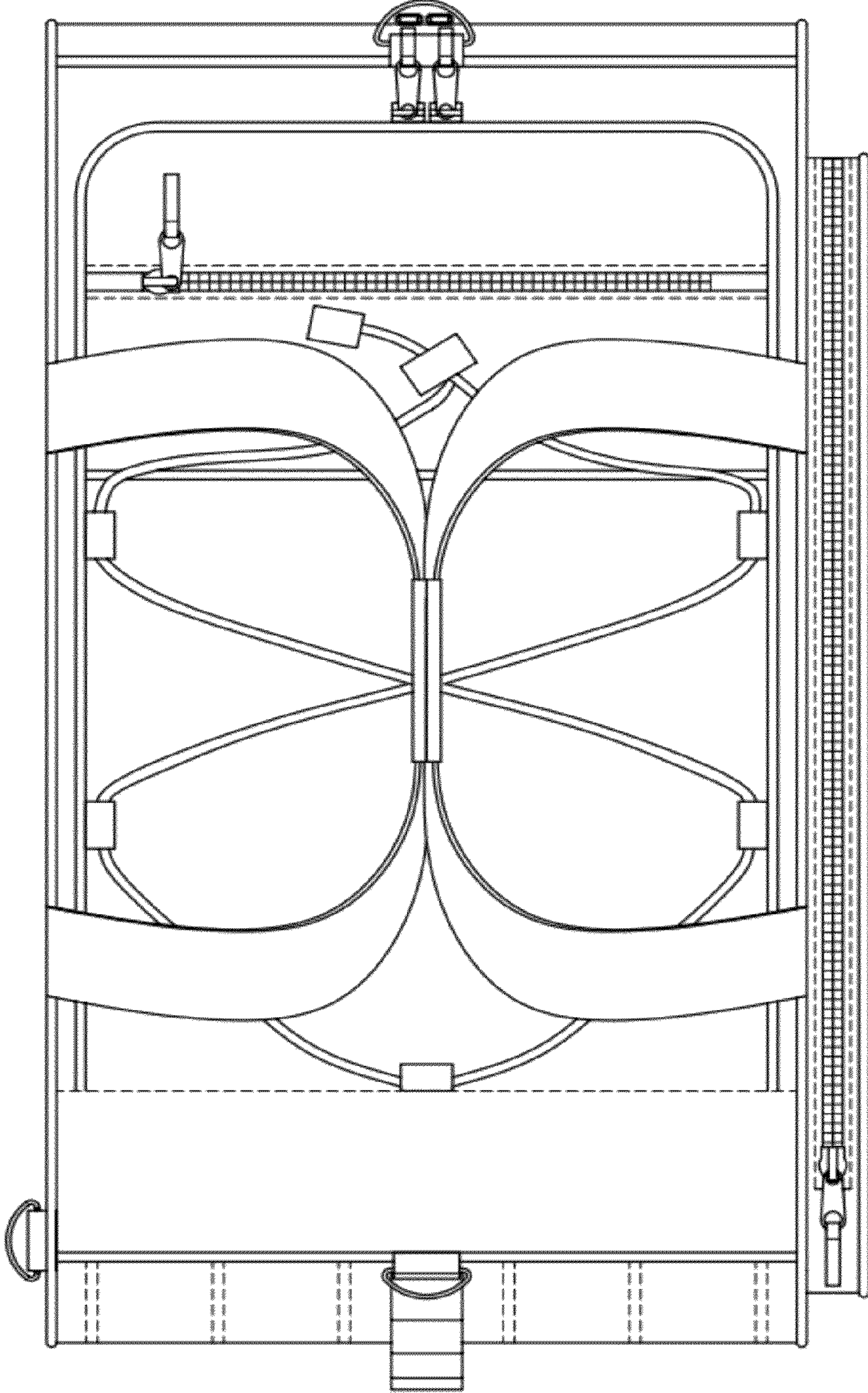


FIG 3

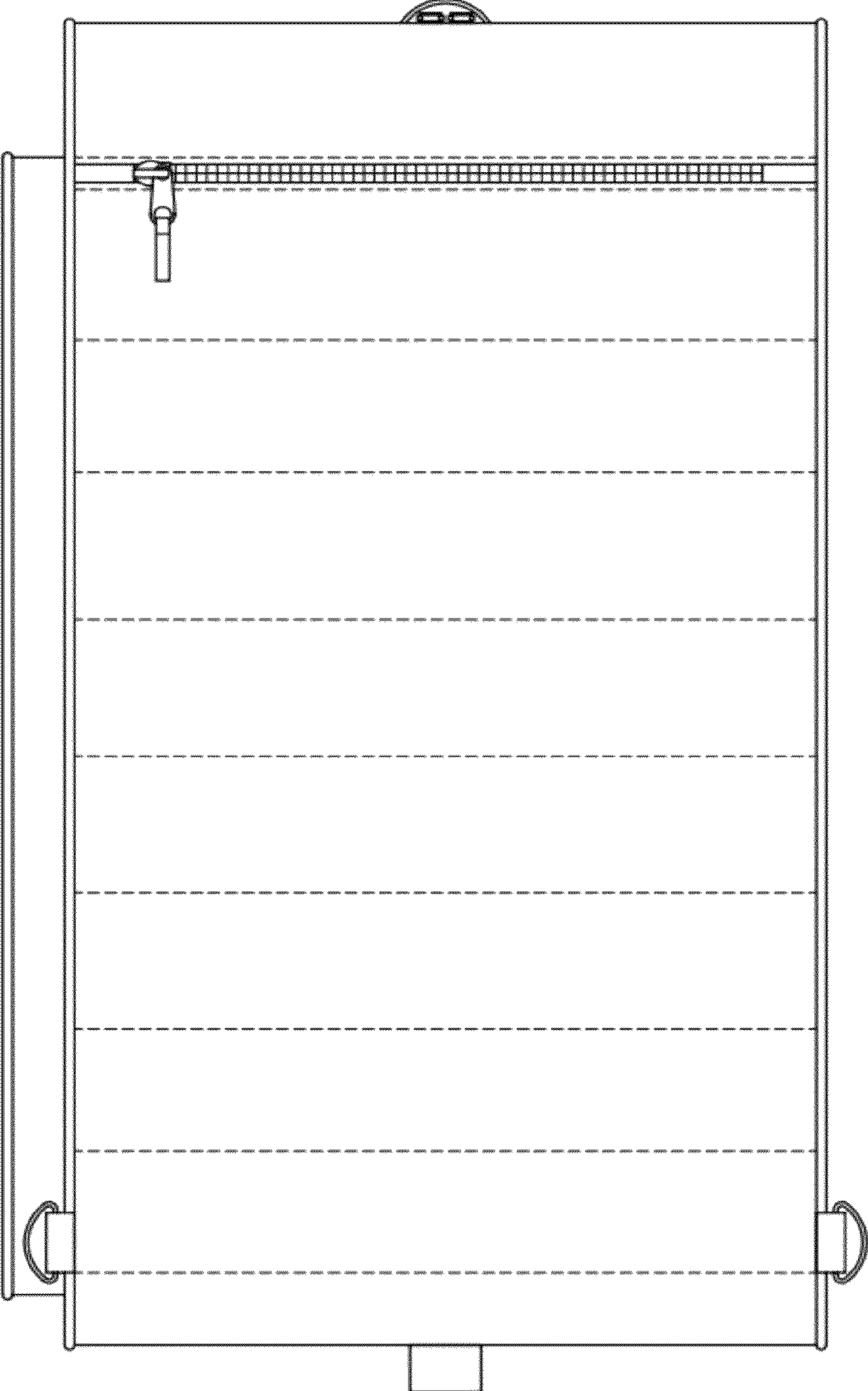


FIG.4

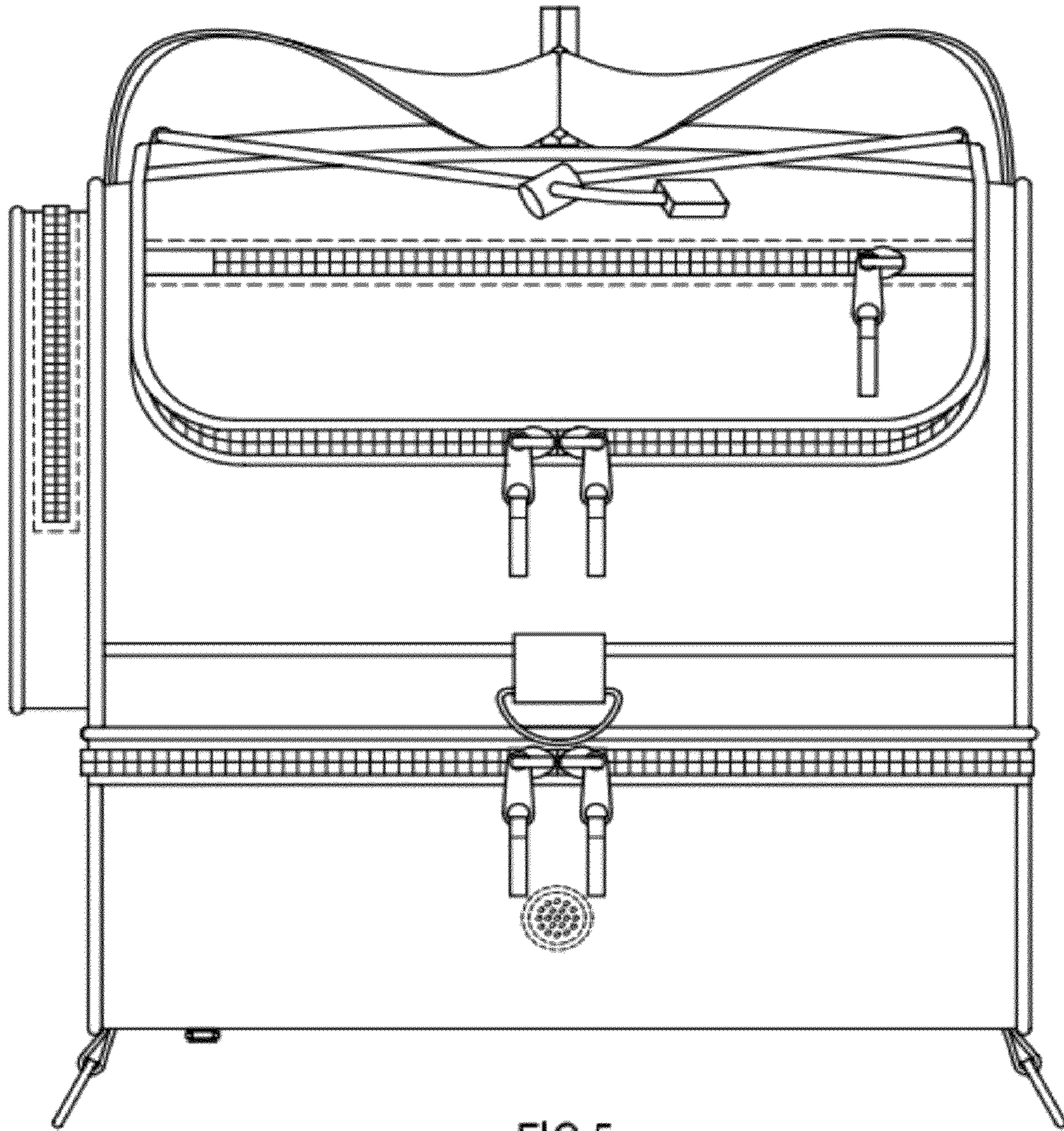


FIG. 5

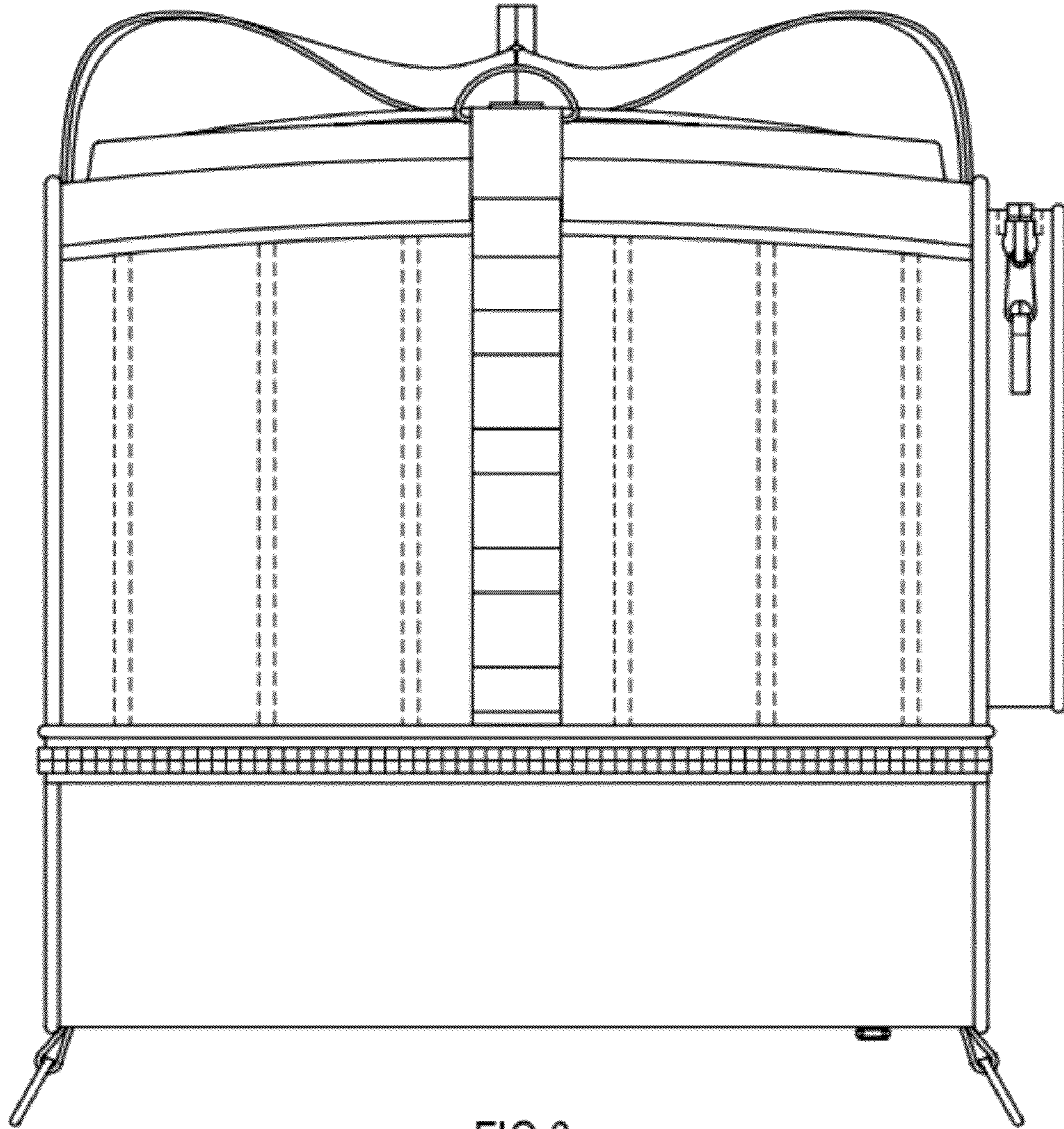


FIG. 6

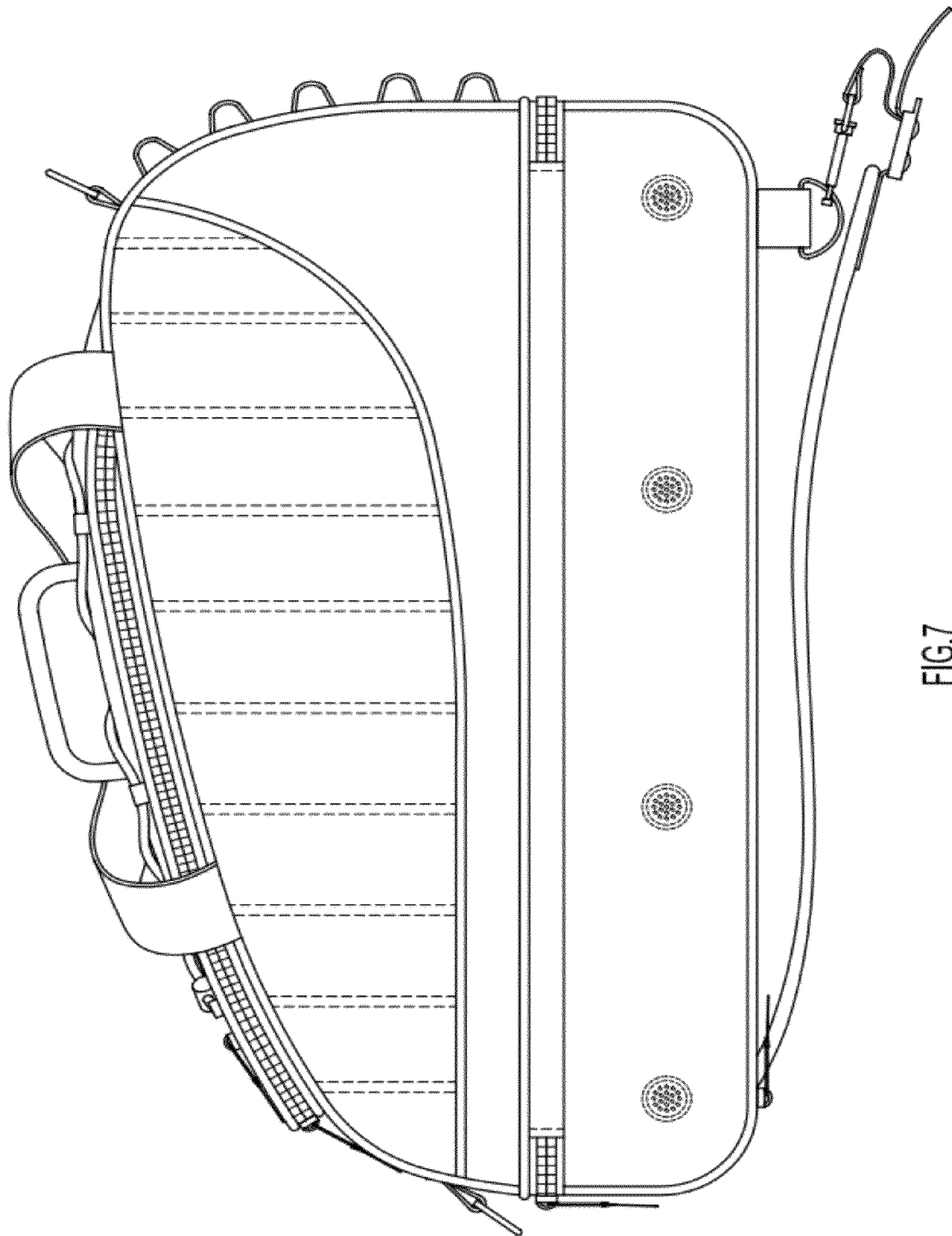


FIG.7

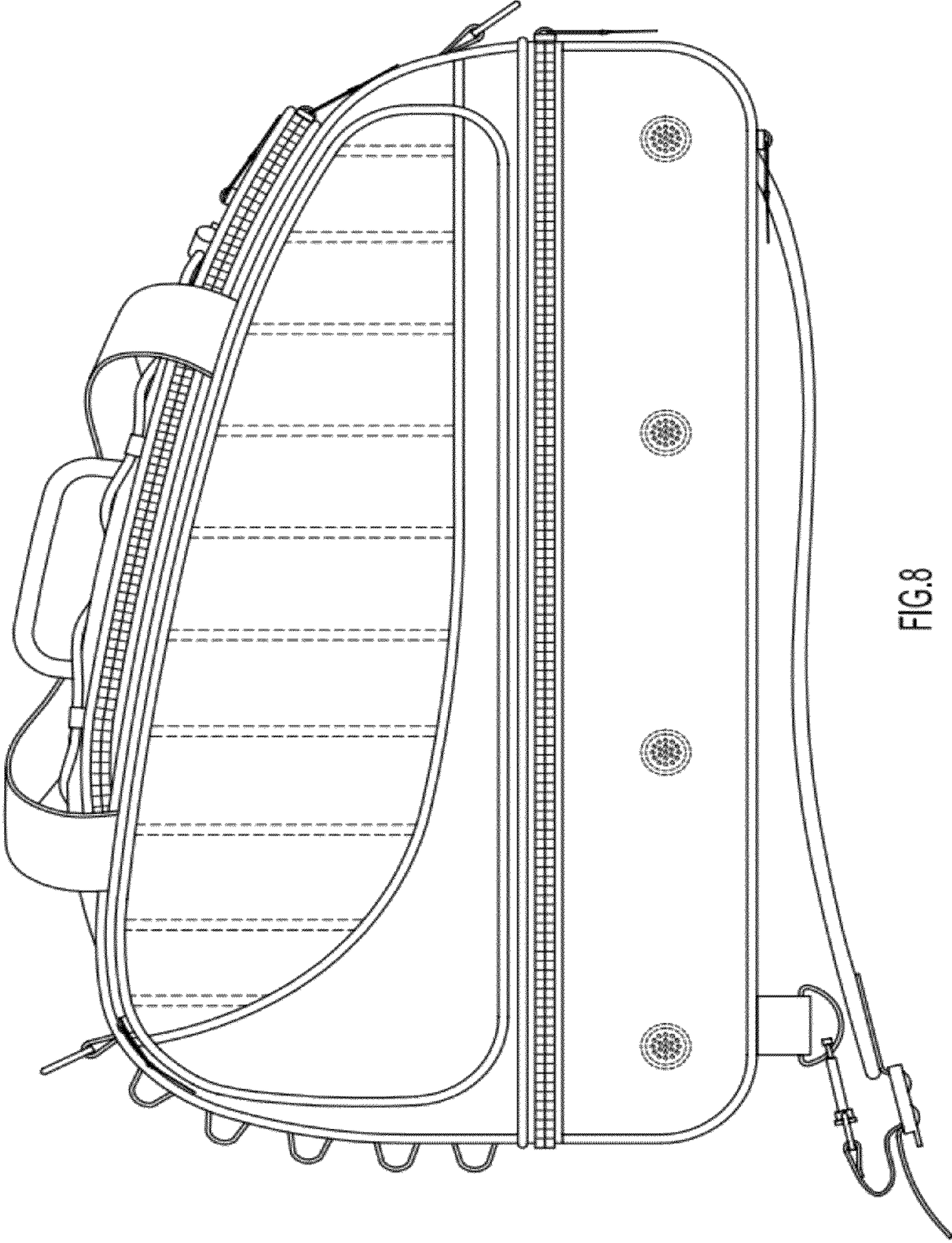


FIG. 8

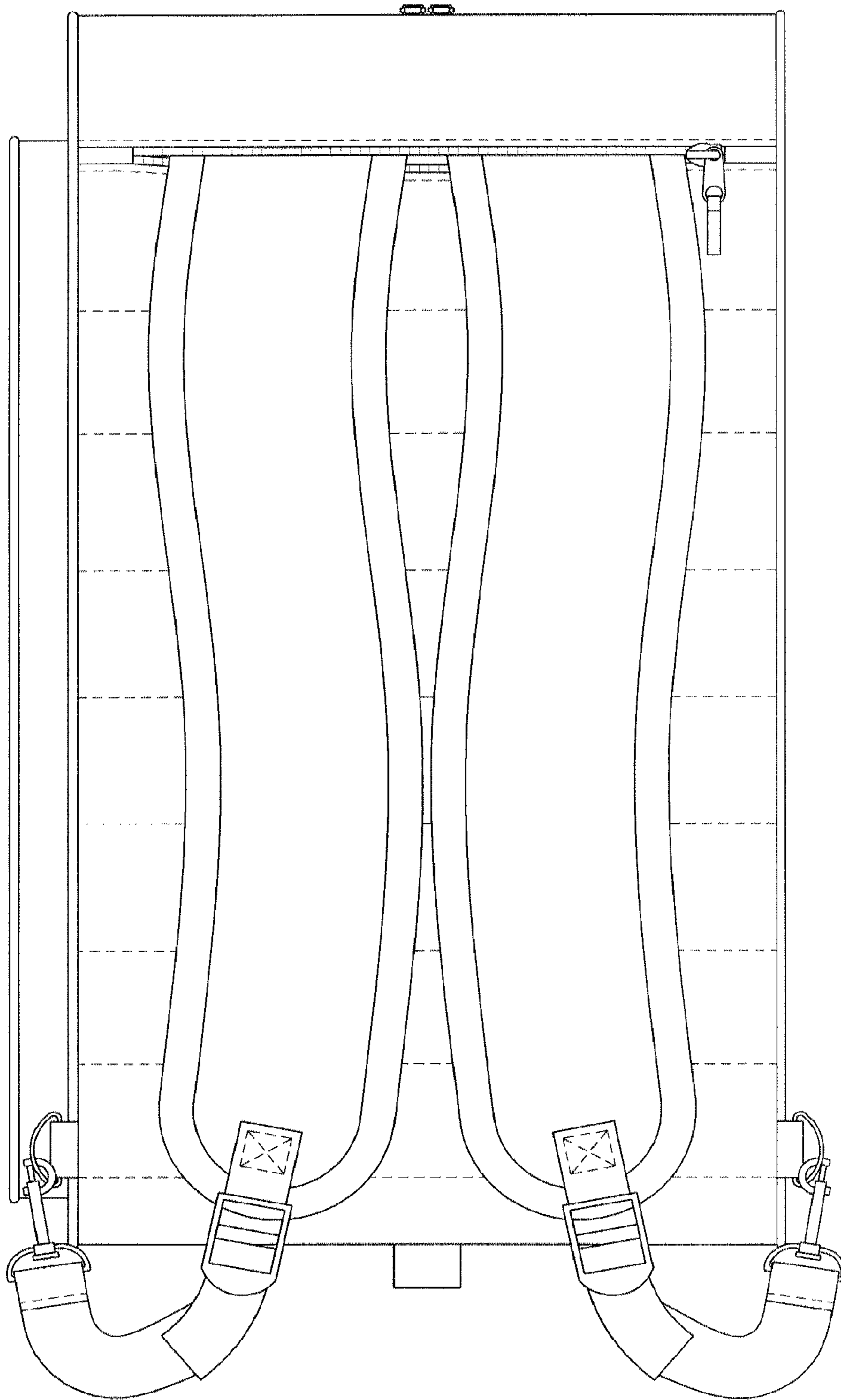


FIG.9

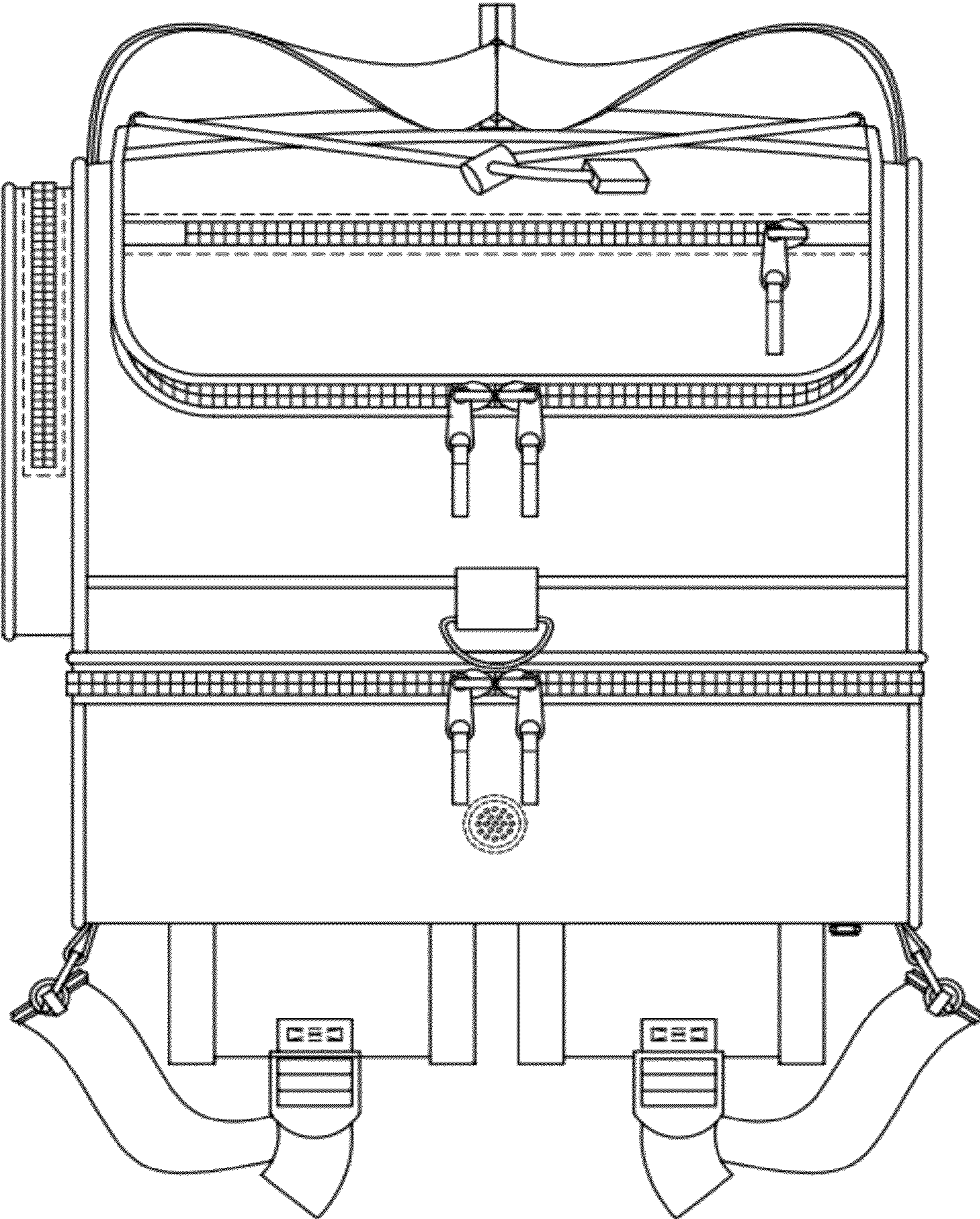


FIG.10

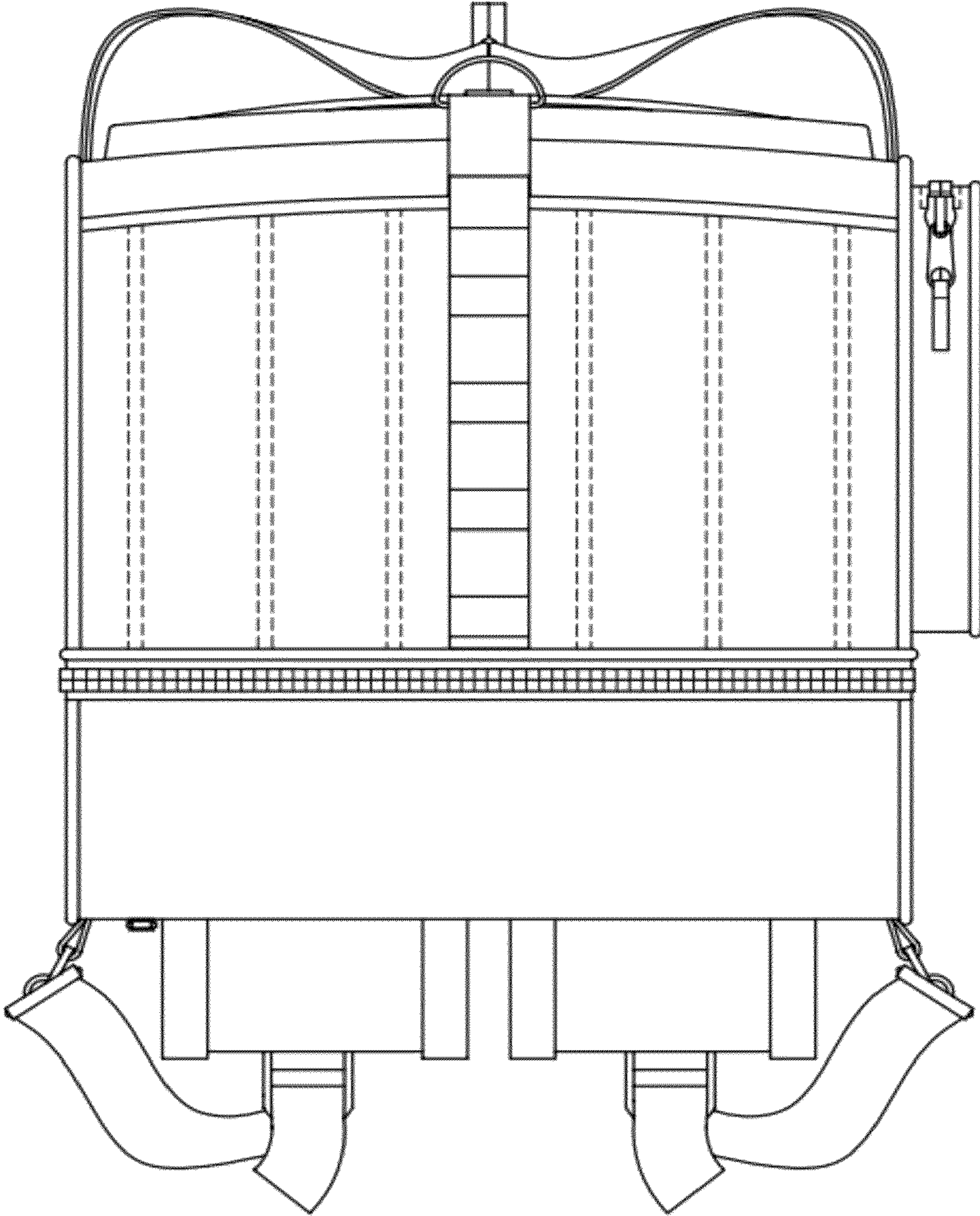


FIG.11