



US00D662313S

(12) **United States Design Patent**  
**van der Lande**

(10) **Patent No.:** **US D662,313 S**

(45) **Date of Patent:** **\*\* Jun. 26, 2012**

(54) **DUCK-SHAPED LED KEY CAP**

(75) Inventor: **Jan van der Lande**, New York, NY (US)

(73) Assignee: **Kikkerland Design Inc**, New York, NY (US)

(\*\*) Term: **14 Years**

(21) Appl. No.: **29/394,312**

(22) Filed: **Jun. 15, 2011**

(51) **LOC (9) Cl.** ..... **03-01**

(52) **U.S. Cl.** ..... **D3/211**

(58) **Field of Classification Search** ..... 63/26-28,  
63/32; D3/207-212; D8/16, 38, 347, 348;  
70/456 B, 457, 458; 206/37.1; D21/576,  
D21/593, 594, 606, 609, 610, 611, 659, 660  
See application file for complete search history.

(56) **References Cited**

U.S. PATENT DOCUMENTS

2,138,309 A \* 11/1938 Stevenson ..... 40/330  
D189,242 S \* 11/1960 Lagannella ..... D3/211  
D190,598 S \* 6/1961 Manzardo ..... D8/348  
D278,071 S \* 3/1985 Paczko ..... D21/406

D304,475 S \* 11/1989 Fiust ..... D21/609  
D316,029 S \* 4/1991 Taramaschi ..... D8/354  
D508,314 S \* 8/2005 Saruhashi ..... D3/211  
D636,987 S \* 5/2011 van der Lande ..... D3/211

\* cited by examiner

*Primary Examiner* — Ralf Seifert

(74) *Attorney, Agent, or Firm* — Cascio & Zervas

(57) **CLAIM**

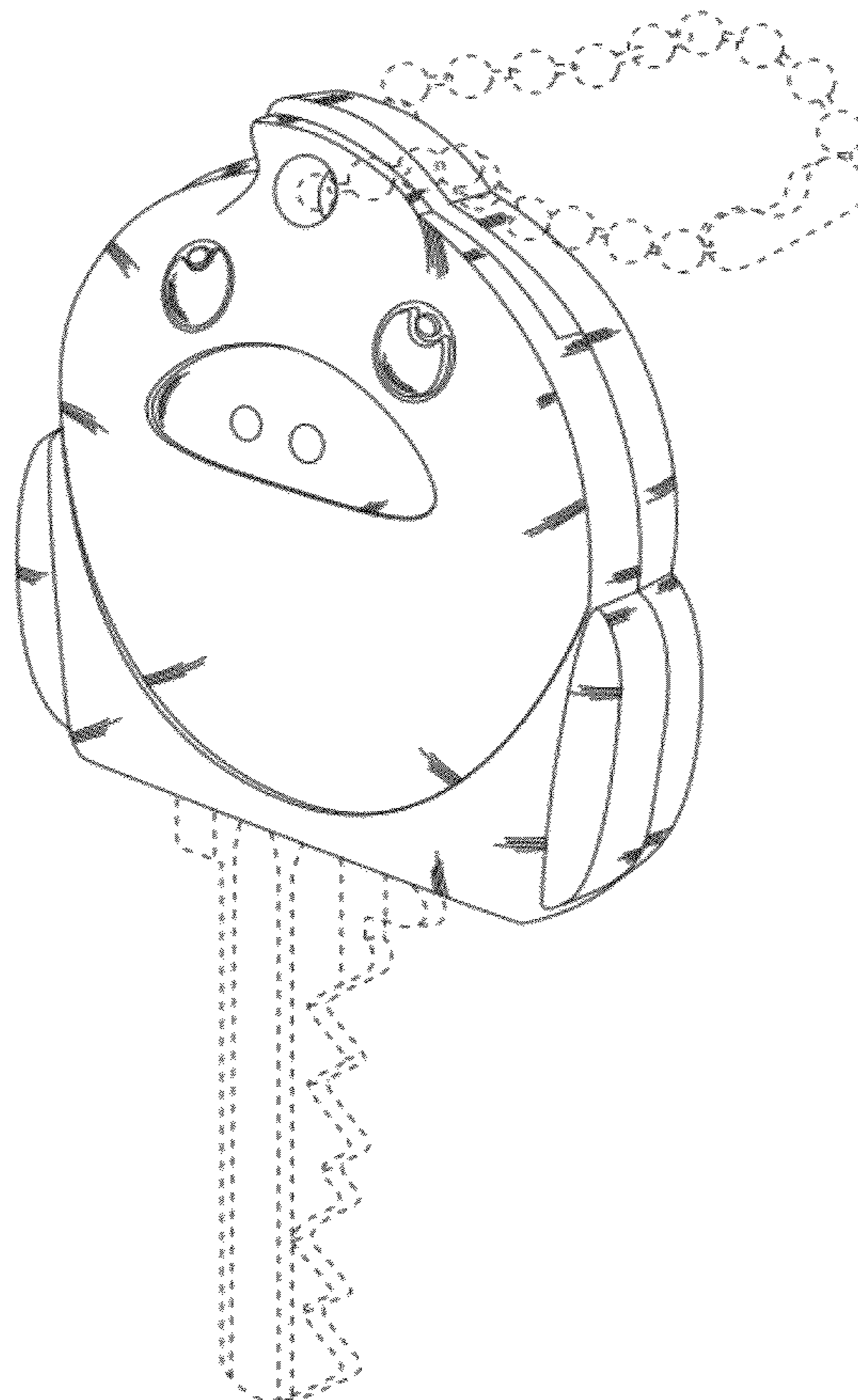
The ornamental design for a duck-shaped LED key cap, as shown and described.

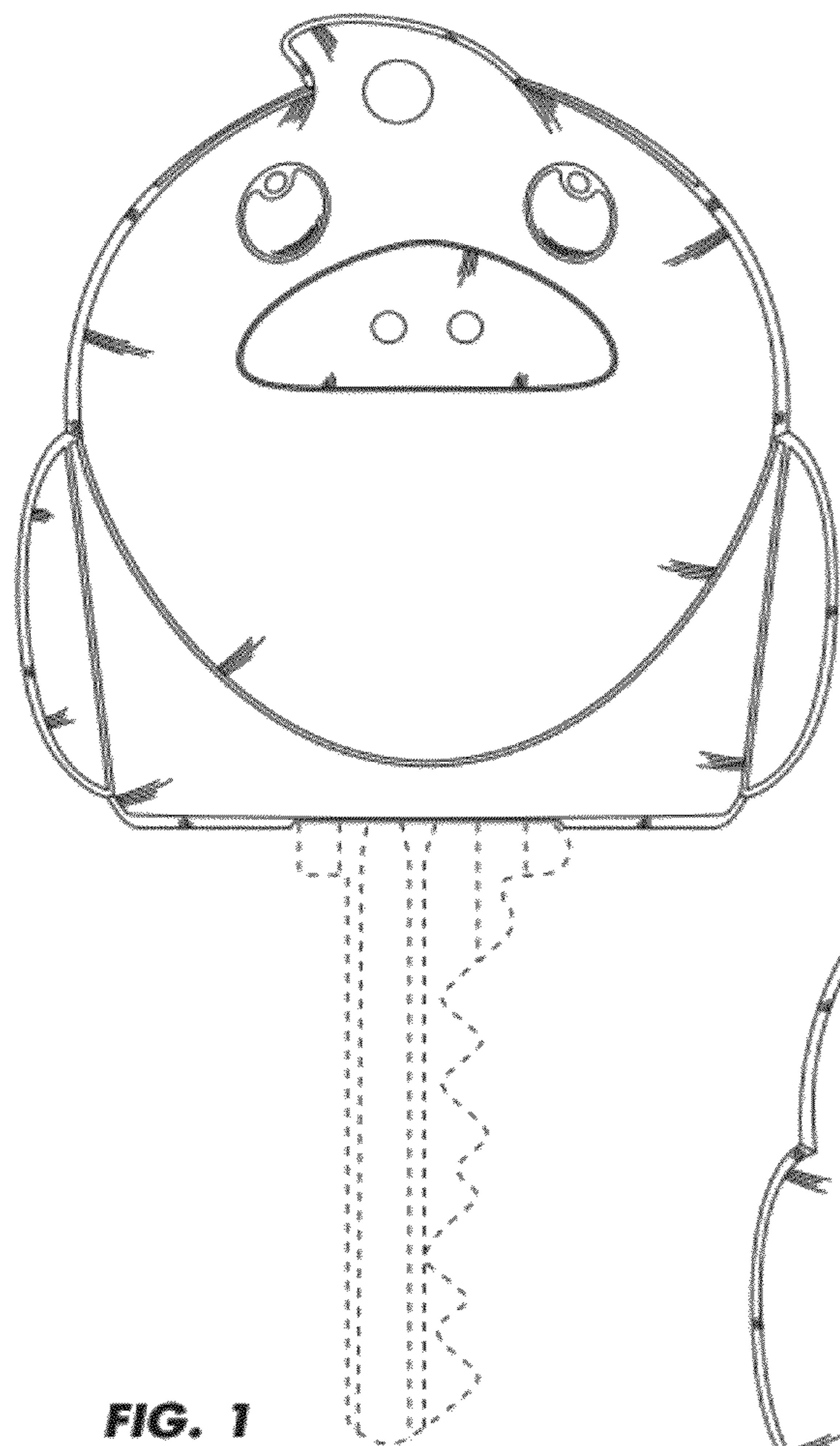
**DESCRIPTION**

FIG. 1 is a front elevational view of the duck-shaped LED key cap showing my design;  
FIG. 2 is a rear elevational view thereof;  
FIG. 3 is a top plan view thereof;  
FIG. 4 is a bottom plan view thereof;  
FIG. 5 is a left side elevational view thereof;  
FIG. 6 is a right side elevational view thereof; and,  
FIG. 7 is a front perspective view thereof.

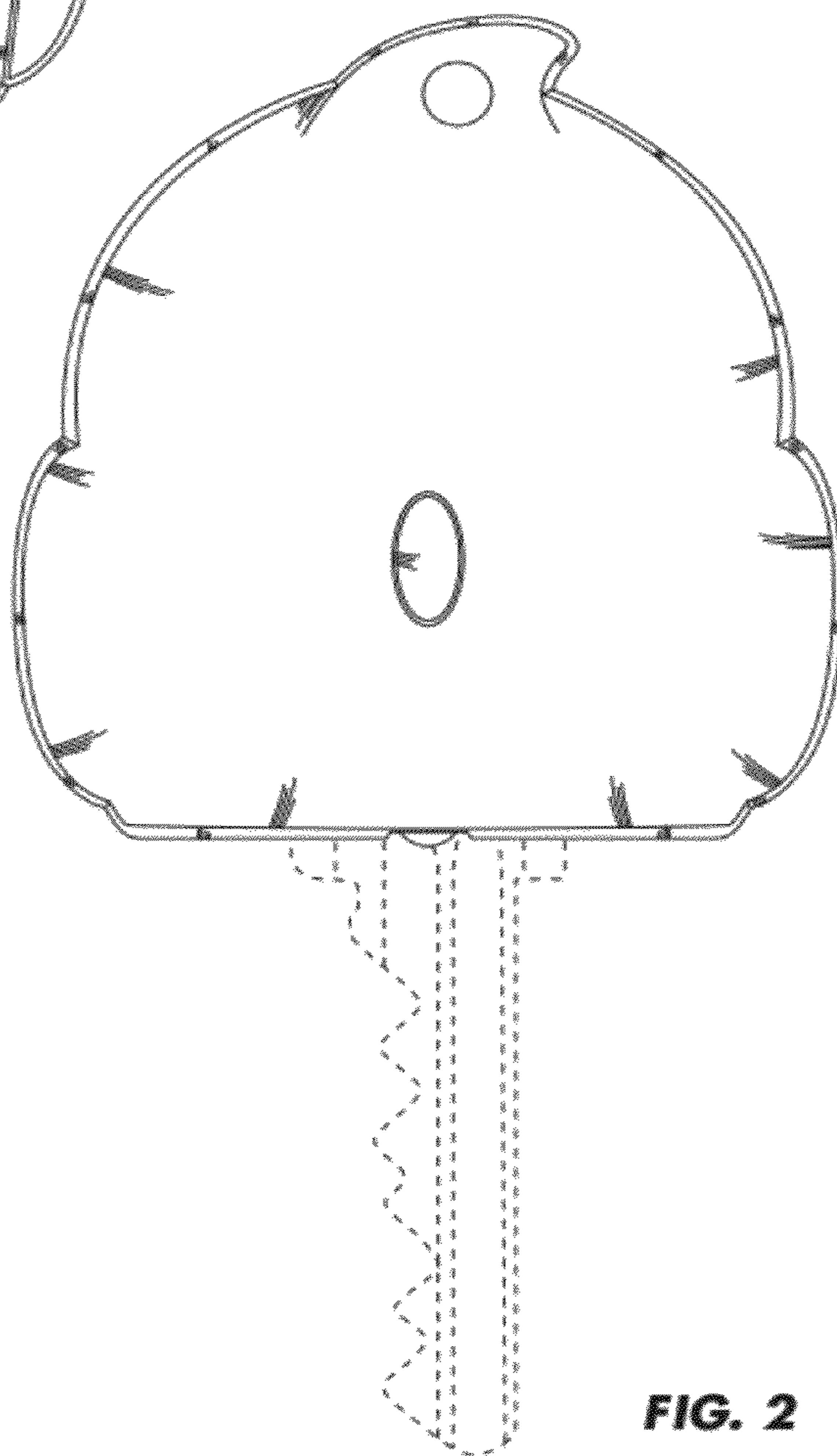
The broken lines in the Figures showing a key and chain are for illustration purposes only and form no part of the claimed design.

**1 Claim, 3 Drawing Sheets**

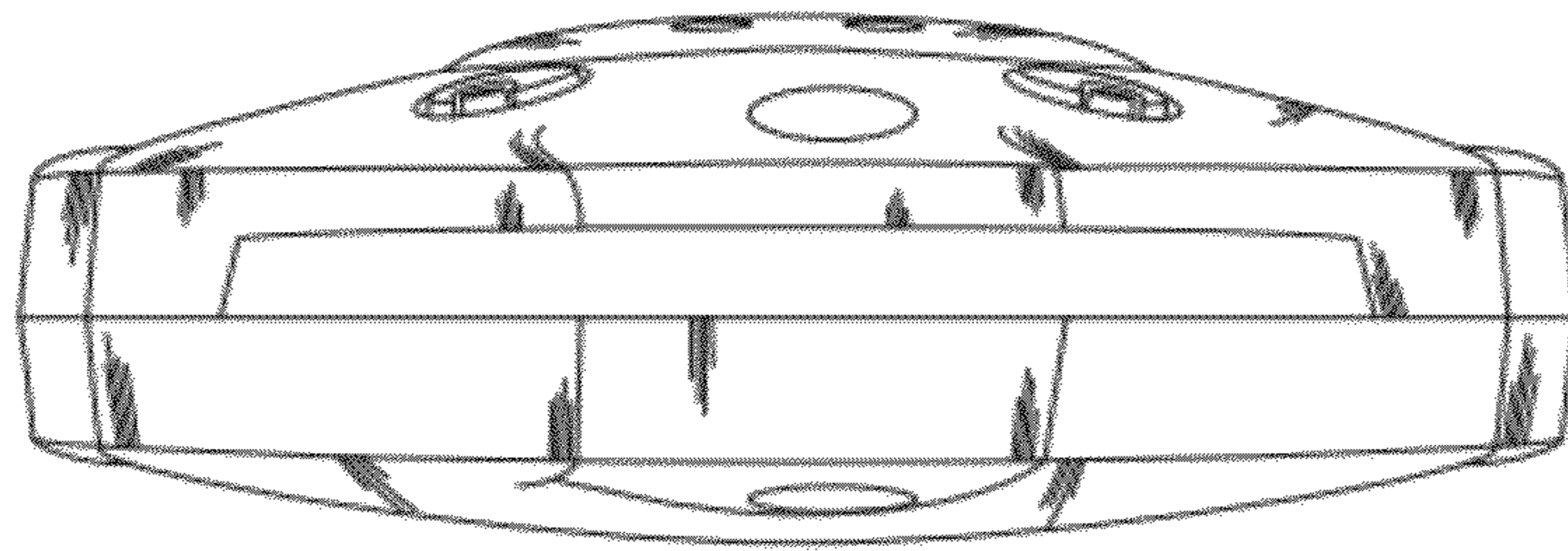




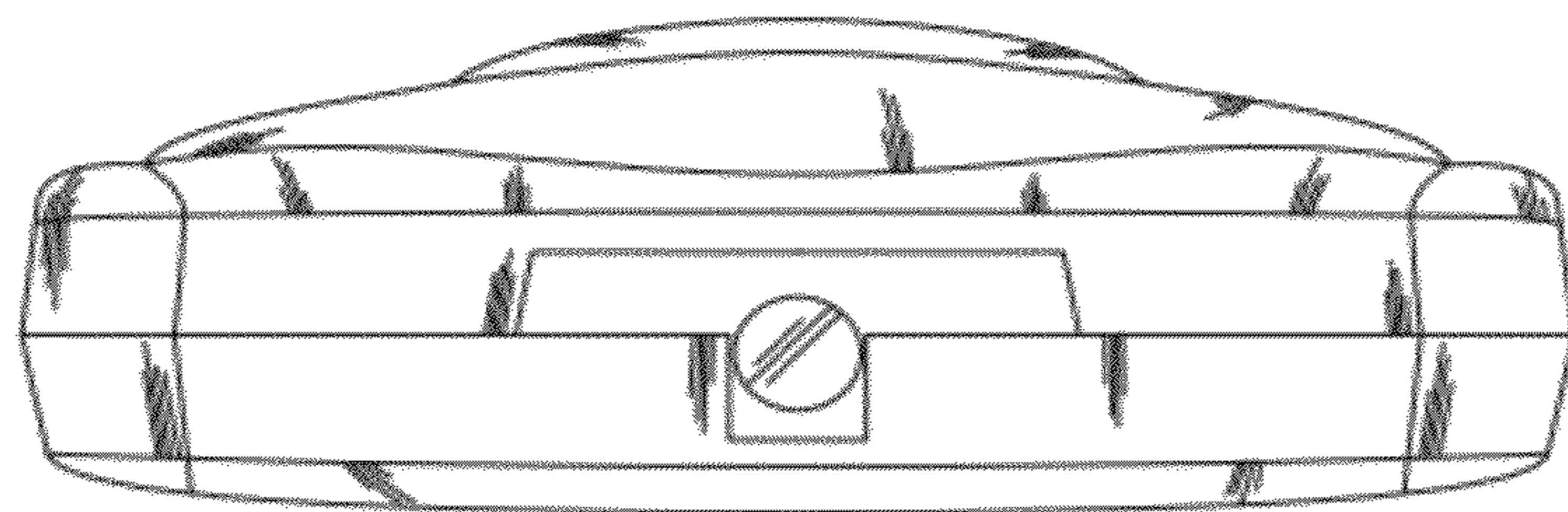
**FIG. 1**



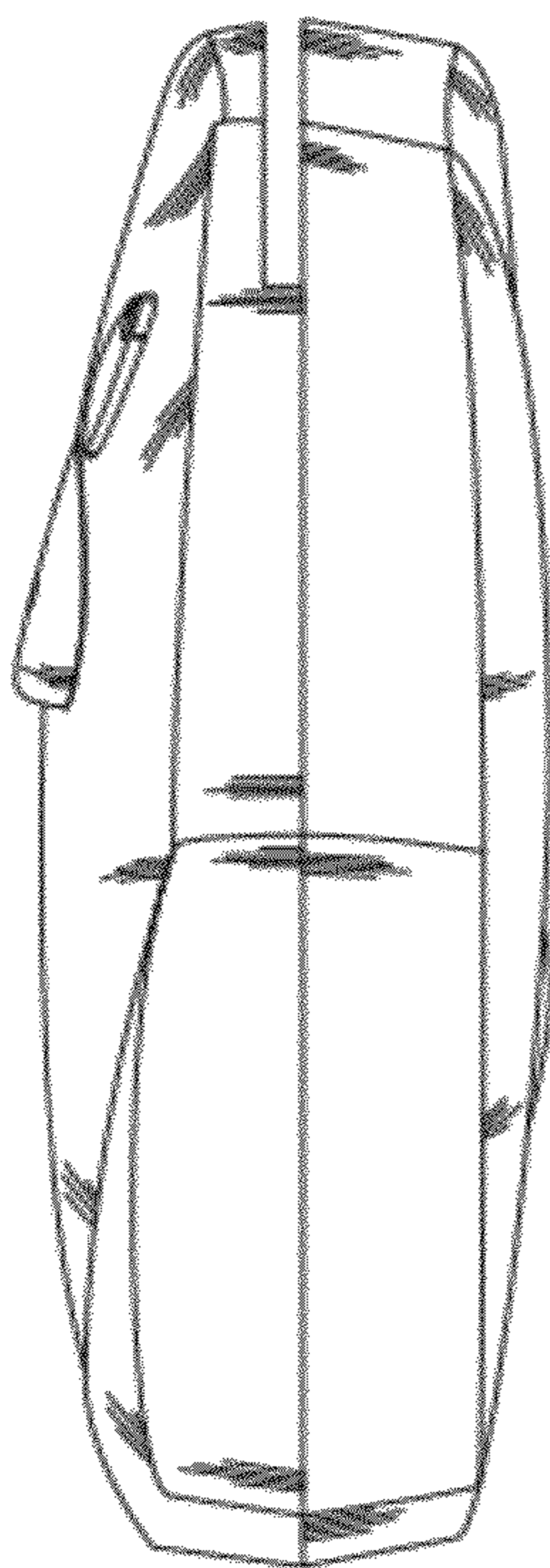
**FIG. 2**



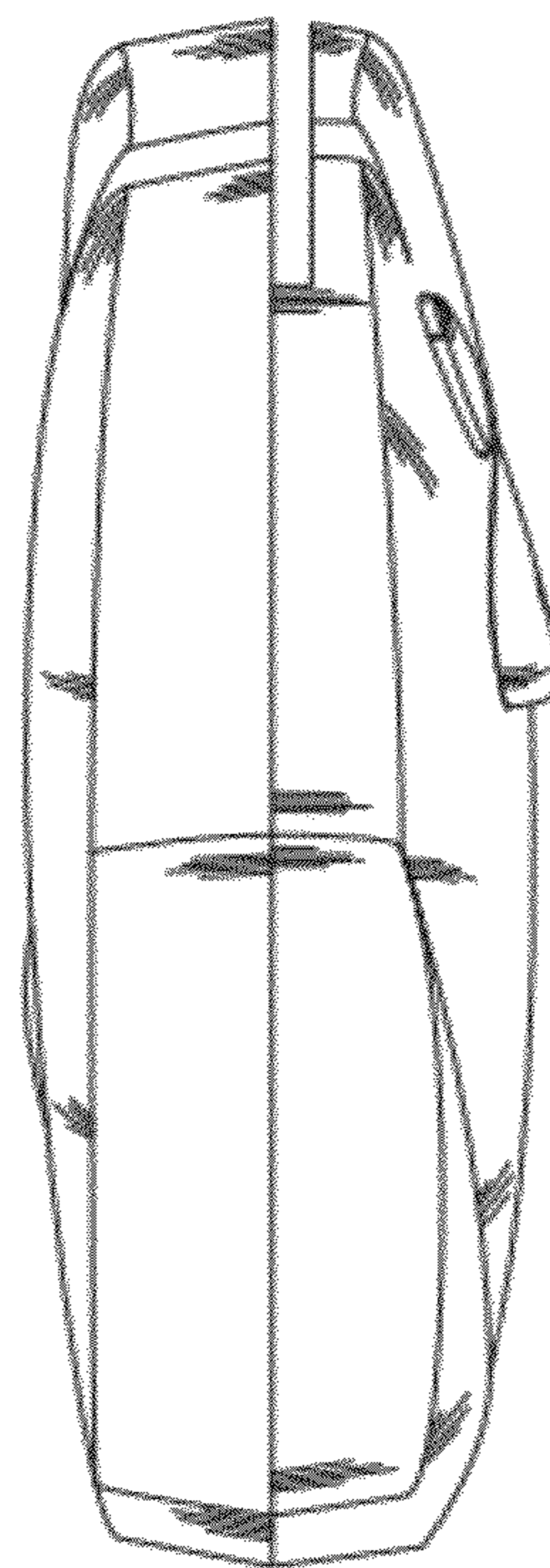
**FIG. 3**



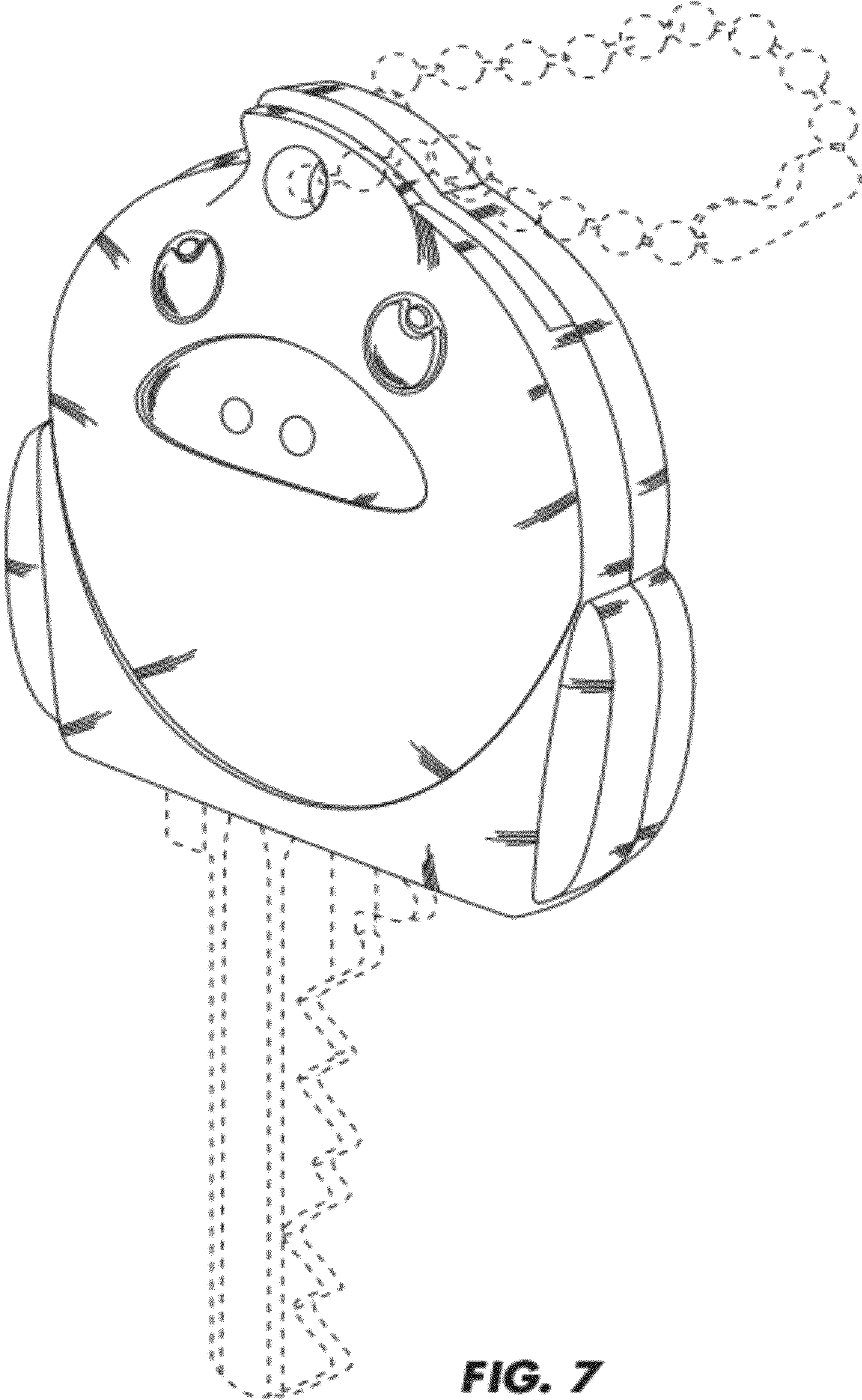
**FIG. 4**



**FIG. 5**



**FIG. 6**



**FIG. 7**