



US00D662309S

(12) **United States Design Patent**  
**Ard**

(10) **Patent No.:** **US D662,309 S**  
(45) **Date of Patent:** **\*\* Jun. 26, 2012**

(54) **SHOE UPPER AND PERIPHERY**  
(75) Inventor: **Aislin Ard**, Los Angeles, CA (US)  
(73) Assignee: **SKECHERS U.S.A., Inc. II**, Manhattan Beach, CA (US)  
(\*\*) Term: **14 Years**  
(21) Appl. No.: **29/411,053**  
(22) Filed: **Jan. 16, 2012**  
(51) **LOC (9) Cl.** ..... **02-99**  
(52) **U.S. Cl.** ..... **D2/971**  
(58) **Field of Classification Search** ..... D2/896,  
D2/902, 906-908, 923, 925, 943, 944, 946,  
D2/947, 951, 969, 971, 972-974, 977; 36/45-49,  
36/50.1, 77 M, 77 R, 83, 88, 113, 114, 126-131,  
36/25 R-25 A  
See application file for complete search history.

D570,590 S 6/2008 Teteriatnikov  
D571,084 S \* 6/2008 Comeau ..... D2/925  
D571,094 S \* 6/2008 Wolf ..... D2/971  
D571,548 S \* 6/2008 Seamans ..... D2/971  
D574,137 S \* 8/2008 St-Louis et al. .... D2/969  
D578,298 S 10/2008 Wolf  
D581,652 S 12/2008 Andersen et al.  
D587,883 S \* 3/2009 Beauger ..... D2/923  
D591,491 S 5/2009 Truelsen  
D593,295 S \* 6/2009 Belley et al. .... D2/969  
D593,297 S \* 6/2009 Belley et al. .... D2/969  
D593,307 S \* 6/2009 Belley et al. .... D2/969  
D595,041 S 6/2009 Matis  
D600,437 S 9/2009 Belley et al.  
D601,782 S \* 10/2009 Cromley ..... D2/906  
D609,445 S \* 2/2010 Zhu ..... D2/969  
D613,047 S 4/2010 Yosef  
D614,848 S \* 5/2010 Zhu ..... D2/971  
D644,015 S \* 8/2011 Raysse ..... D2/969  
D644,017 S \* 8/2011 Yi ..... D2/969  
D648,112 S \* 11/2011 Mermet ..... D2/972  
D650,976 S \* 12/2011 Gallas ..... D2/943

\* cited by examiner

*Primary Examiner* — Dominic Simone

(74) *Attorney, Agent, or Firm* — Marshall A. Lerner; Marvin H. Kleinberg; Kleinberg & Lerner, LLP

(56) **References Cited**

U.S. PATENT DOCUMENTS

D167,579 S \* 8/1952 MacKinnon ..... D2/971  
D240,773 S \* 8/1976 Fukuoka ..... D2/943  
D309,821 S 8/1990 Miller  
D342,369 S 12/1993 Lamson  
D390,343 S 2/1998 Chen  
D499,865 S \* 12/2004 Belley et al. .... D2/969  
D500,403 S \* 1/2005 Belley et al. .... D2/969  
D502,798 S \* 3/2005 Belley et al. .... D2/969  
D513,836 S \* 1/2006 Magro et al. .... D2/896  
D517,294 S \* 3/2006 Belley et al. .... D2/969  
D532,962 S \* 12/2006 Teteriatnikov ..... D2/971  
D538,022 S \* 3/2007 Belley et al. .... D2/969  
D538,520 S \* 3/2007 Belley et al. .... D2/969  
D539,021 S \* 3/2007 Belley et al. .... D2/969  
D544,681 S \* 6/2007 Clark ..... D2/969  
D547,536 S \* 7/2007 Hulbert ..... D2/969  
D547,935 S \* 8/2007 Clark ..... D2/969  
D559,520 S \* 1/2008 Belley et al. .... D2/969  
D560,057 S \* 1/2008 Belley et al. .... D2/969  
D563,651 S \* 3/2008 Matis et al. .... D2/969  
D564,745 S \* 3/2008 Andersen et al. .... D2/969  
D566,956 S \* 4/2008 Belley et al. .... D2/971  
D566,958 S \* 4/2008 Andersen et al. .... D2/971

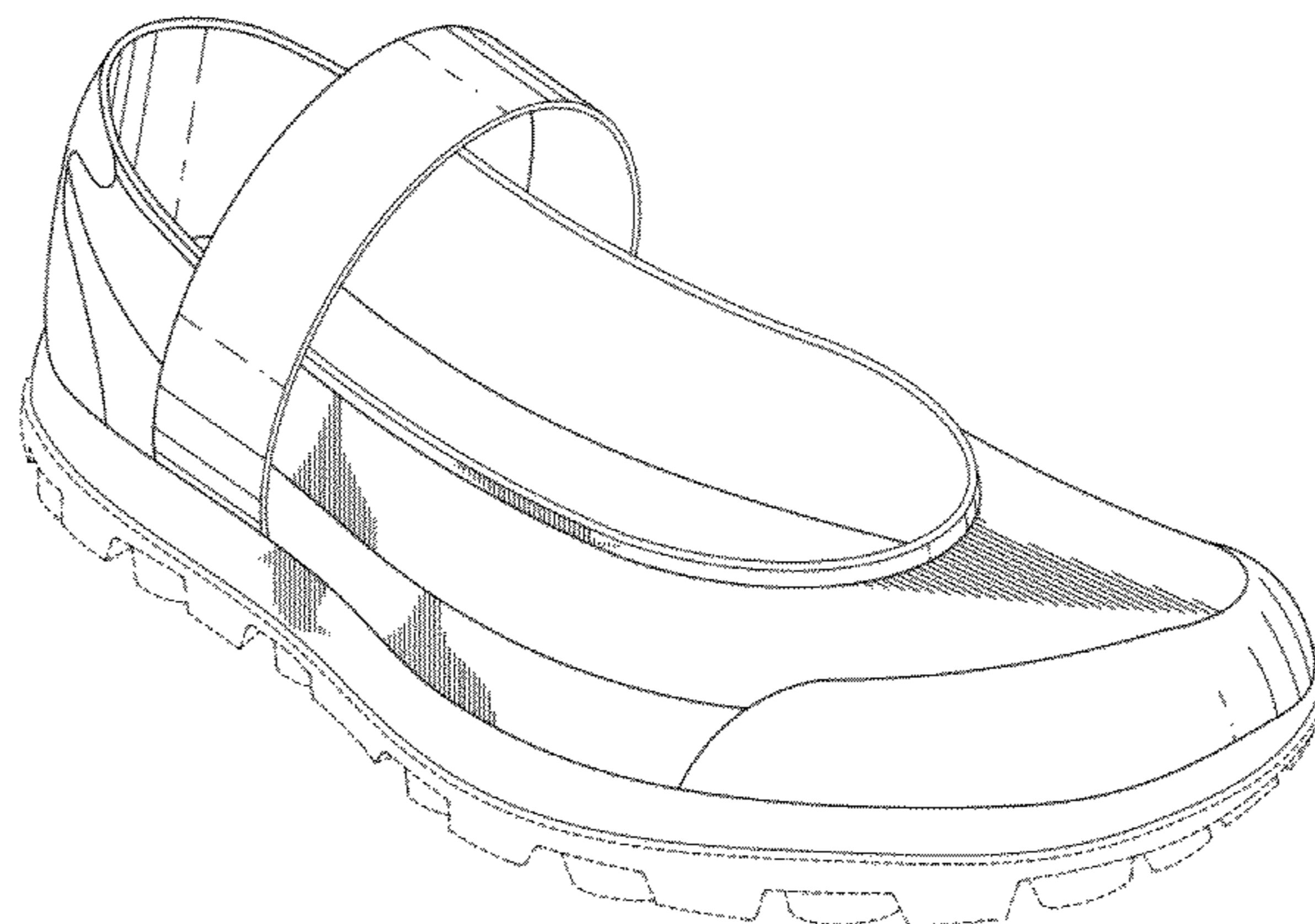
(57) **CLAIM**

The ornamental design for a shoe upper and periphery, as shown and described.

**DESCRIPTION**

FIG. 1 is a perspective view of a shoe upper and periphery in accordance with my new design.  
FIG. 2 is a left side view thereof;  
FIG. 3 is a right side view thereof;  
FIG. 4 is a top plan view thereof;  
FIG. 5 is a bottom plan view thereof;  
FIG. 6 is a rear elevation view thereof; and,  
FIG. 7 is a front elevation view thereof.  
Broken lines showing the remainder of the shoe in the figures are for illustrative purposes only and form no part of the claimed invention.

**1 Claim, 6 Drawing Sheets**



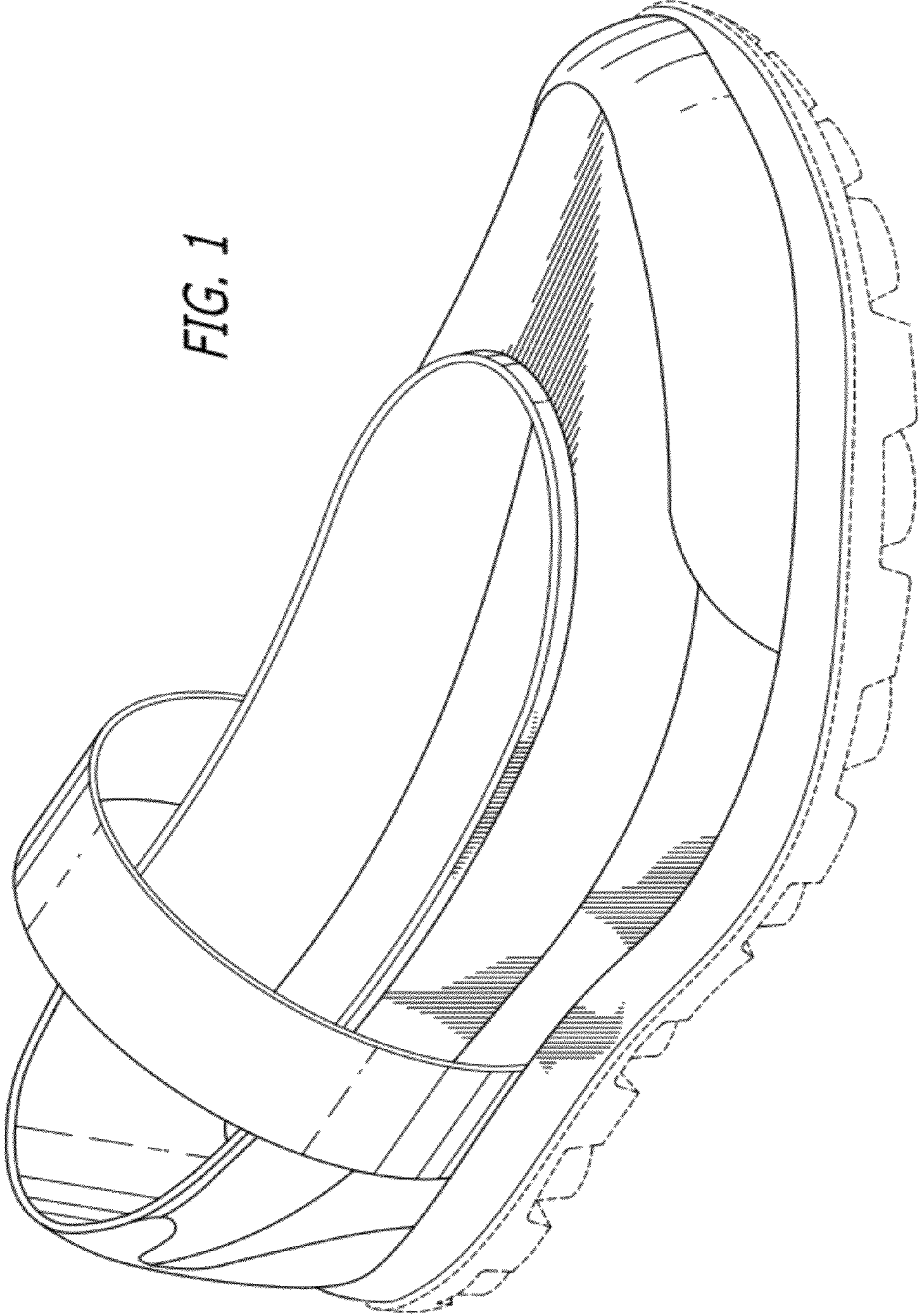


FIG. 1

FIG. 2

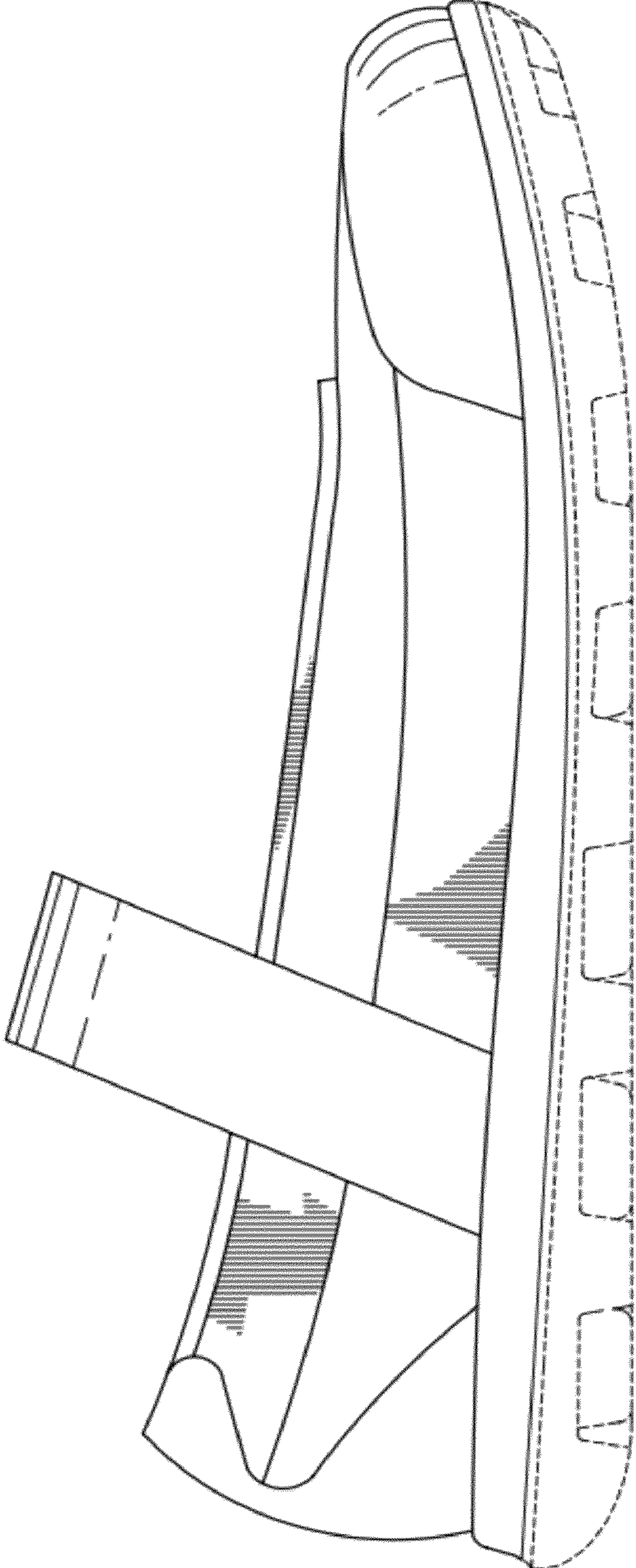
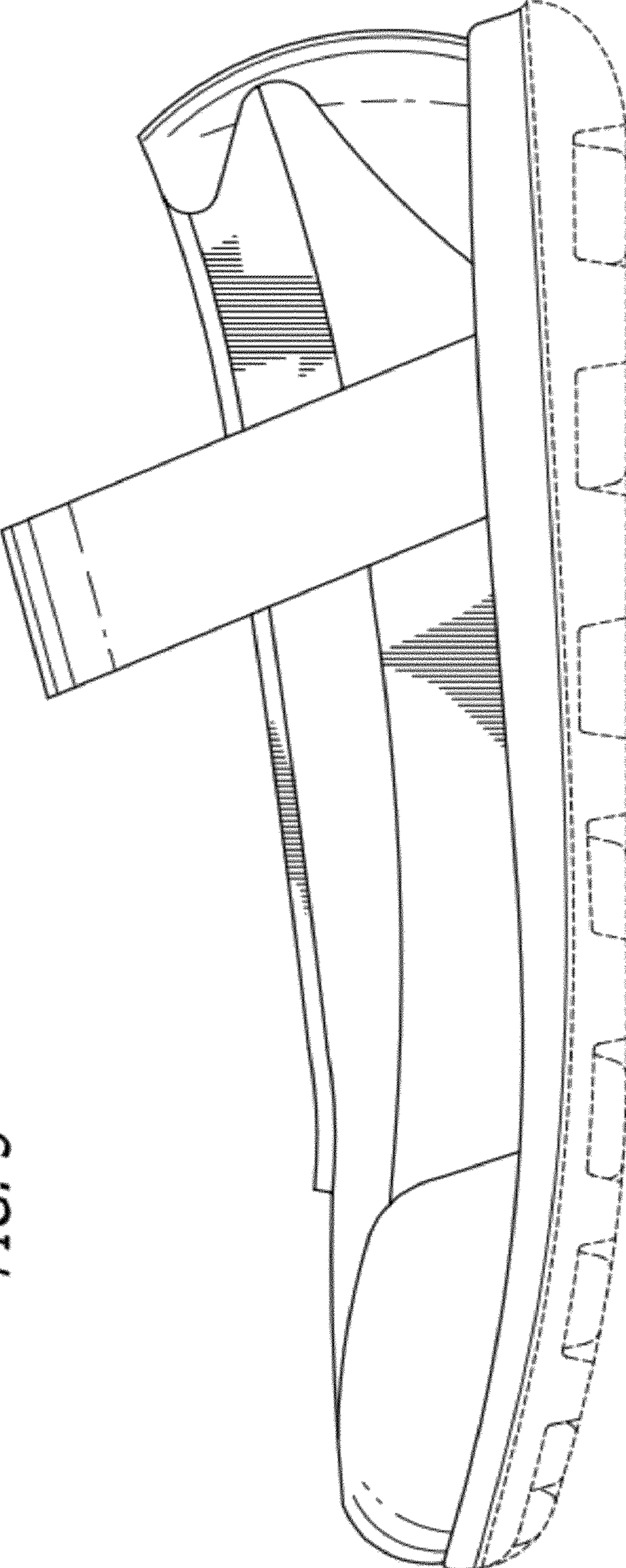


FIG. 3



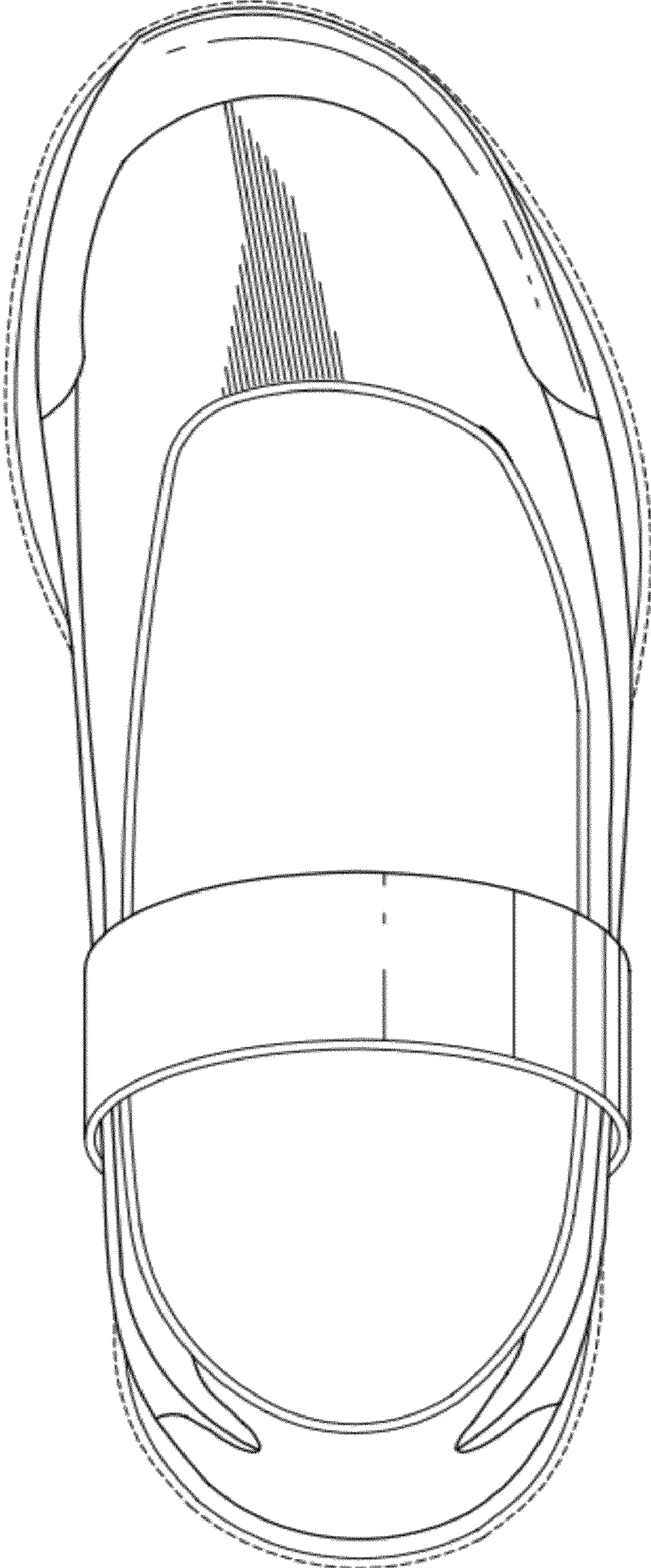


FIG. 4

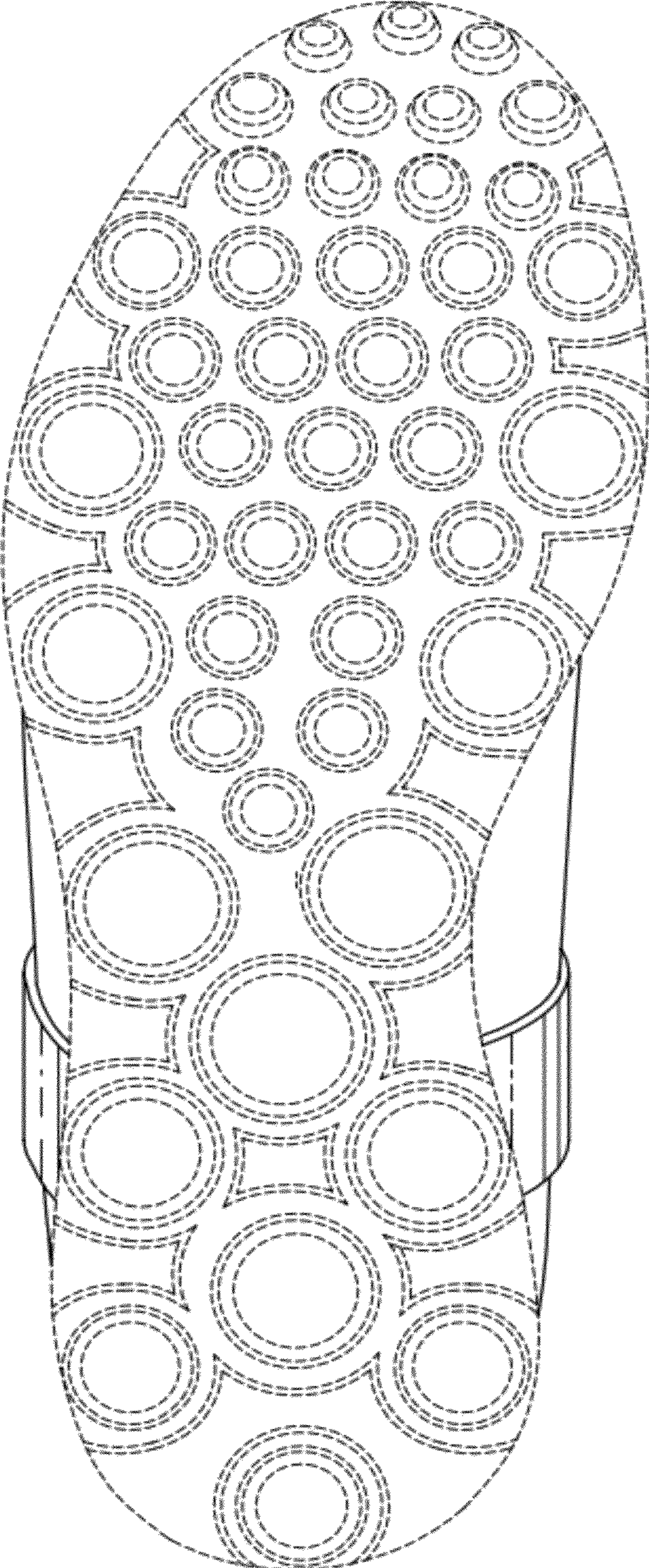


FIG. 5

FIG. 7

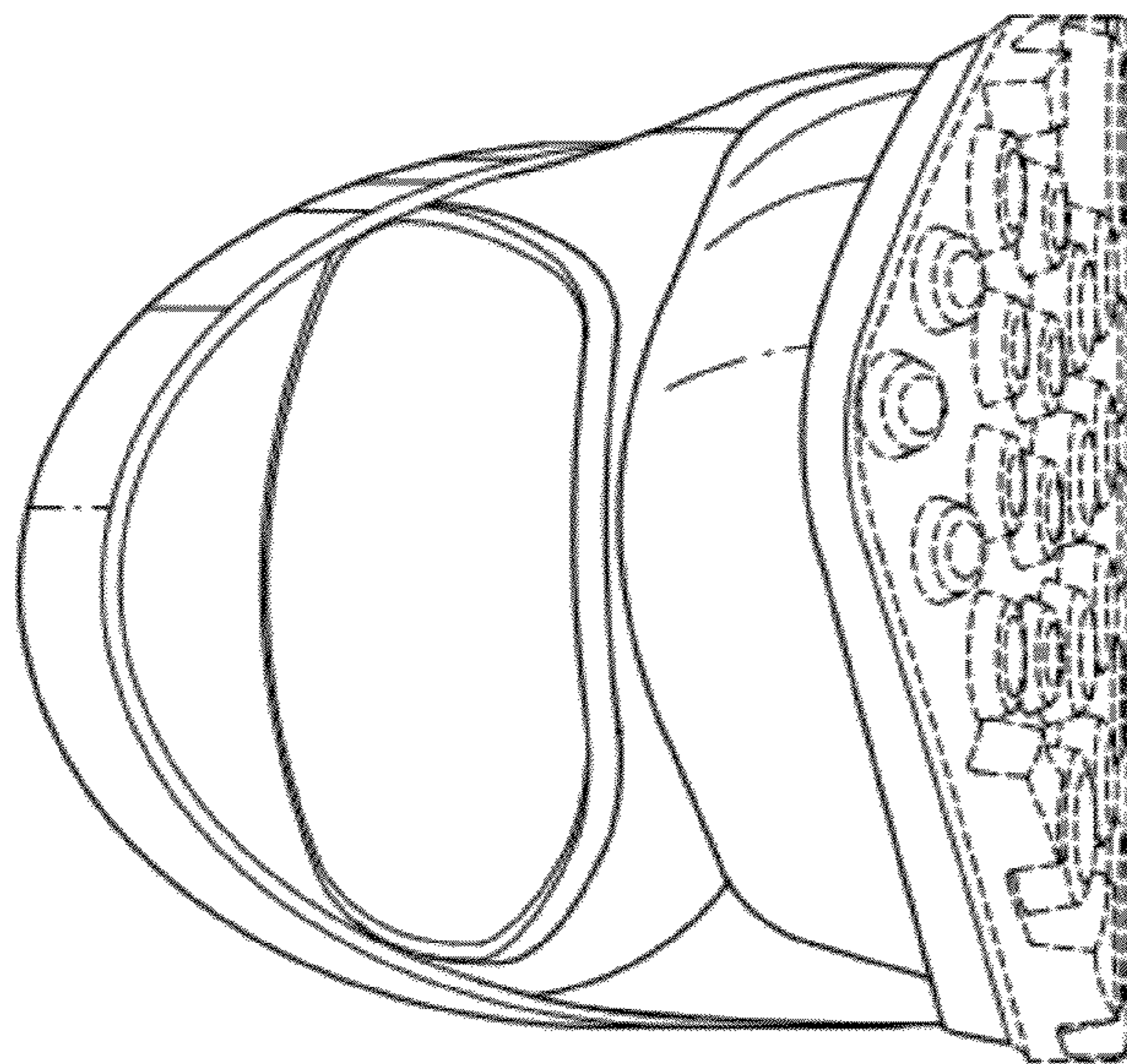


FIG. 6

