

US00D662296S

(12) **United States Design Patent**
Christopherson

(10) **Patent No.:** **US D662,296 S**
(45) **Date of Patent:** **** Jun. 26, 2012**

- (54) **SHOE BOTTOM**
- (75) Inventor: **Lafe Christopherson**, Hawthorne, CA (US)
- (73) Assignee: **Skechers U.S.A., Inc. II**, Manhattan Beach, CA (US)
- (**) Term: **14 Years**
- (21) Appl. No.: **29/411,004**
- (22) Filed: **Jan. 13, 2012**
- (51) **LOC (9) Cl.** **02-04**
- (52) **U.S. Cl.** **D2/960; D2/957; D2/951; D2/953**
- (58) **Field of Classification Search** D2/902, D2/906, 908, 916, 918, 925, 946-962, 977; 36/3 B, 22 R, 24.5, 25 R, 28, 32 R, 34 R, 36/59 C, 67 A, 103

D574,583 S *	8/2008	St-Louis et al.	D2/956
D584,887 S *	1/2009	Earle	D2/960
D588,791 S *	3/2009	Nelson	D2/957
D593,291 S *	6/2009	Chen	D2/953
D593,742 S *	6/2009	Issler	D2/960
D597,288 S	8/2009	McClaskie		
D602,237 S *	10/2009	Roundhouse	D2/960
D602,683 S *	10/2009	Roundhouse	D2/957
D605,385 S	12/2009	Andersen et al.		
D613,489 S	4/2010	Horton		
D616,188 S *	5/2010	Chan	D2/960
D626,320 S *	11/2010	Anderson	D2/957
D639,540 S *	6/2011	Raysse	D2/951
D640,047 S *	6/2011	Claassen	D2/961
D640,863 S *	7/2011	Raysse	D2/946
D642,775 S	8/2011	Raysse		
D643,195 S *	8/2011	Yi	D2/957
D643,197 S	8/2011	Teteriatnikov		
D643,602 S *	8/2011	Teteriatnikov	D2/946
D643,605 S	8/2011	Raysse		
D643,606 S *	8/2011	Raysse	D2/951

(Continued)

See application file for complete search history.

Primary Examiner — T. Chase Nelson

(56) **References Cited**

(74) *Attorney, Agent, or Firm* — Marshall A. Lerner, Esq.; Marvin H. Kleinberg, Esq.; Kleinberg & Lerner, LLP

U.S. PATENT DOCUMENTS

2,383,122 A *	8/1945	Ghez et al.	36/32 R
D273,246 S *	4/1984	Tonkel	D2/956
D301,936 S *	7/1989	Swett	D2/956
D305,278 S *	1/1990	Kiyosawa	D2/954
D387,890 S	12/1997	Faulconer et al.		
D388,597 S	1/1998	Gavigan		
D392,445 S	3/1998	Tresser		
D404,549 S *	1/1999	Greenberg	D2/956
D429,062 S *	8/2000	Santa	D2/954
6,108,943 A *	8/2000	Hudson et al.	36/102
D454,679 S *	3/2002	Del Biondi	D2/952
D473,042 S *	4/2003	Wilson	D2/960
D475,514 S *	6/2003	Burg et al.	D2/960
D509,346 S	9/2005	Recchi		
D514,288 S *	2/2006	Burg	D2/960
D520,721 S *	5/2006	White et al.	D2/957
D546,033 S	7/2007	Matis et al.		
D554,840 S *	11/2007	McClaskie	D2/960
D559,509 S *	1/2008	Hayes	D2/954
D565,283 S	4/2008	Smith et al.		
D570,081 S *	6/2008	Longuet	D2/960

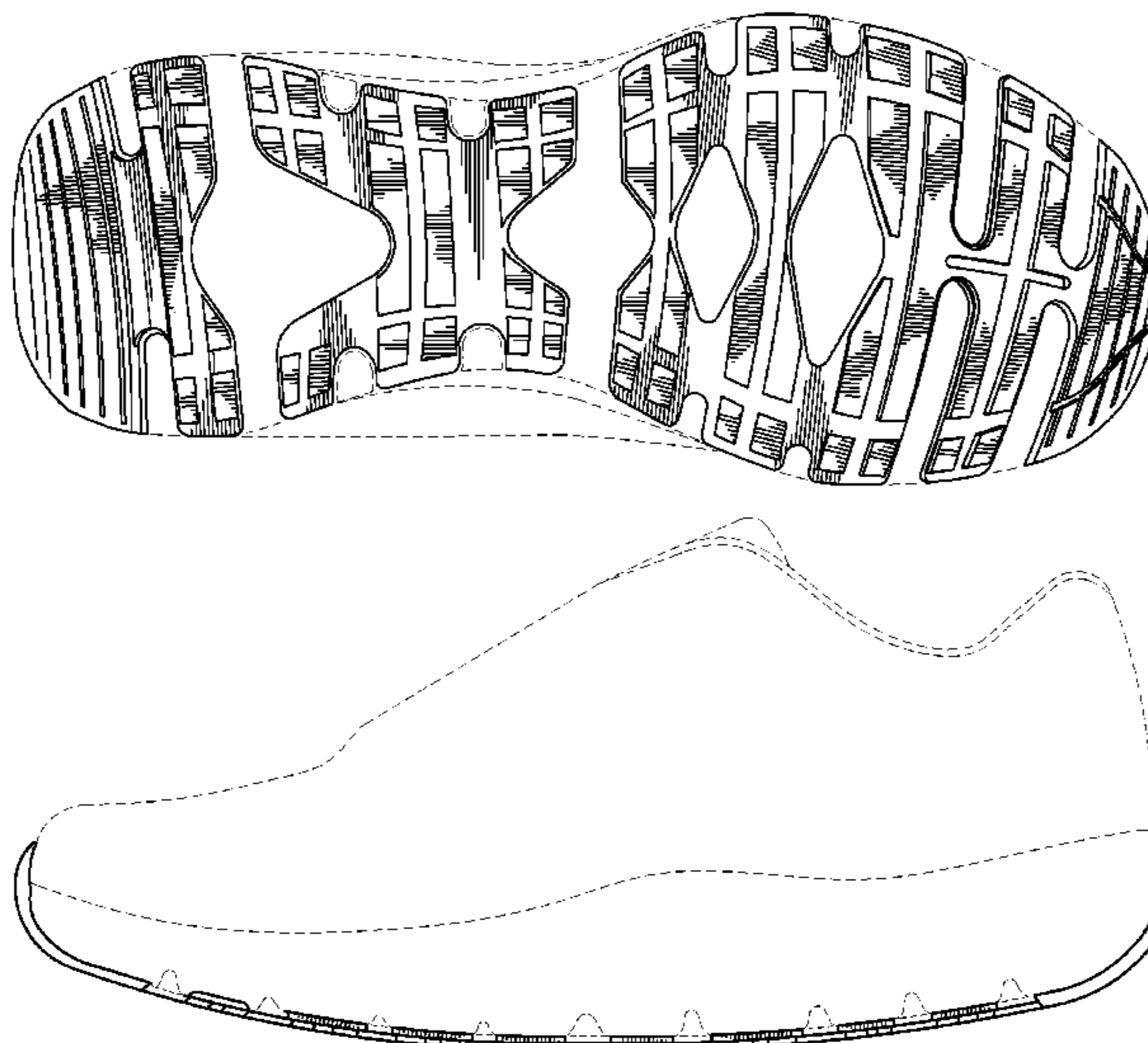
(57) **CLAIM**

The ornamental design for a shoe bottom, as shown and described.

DESCRIPTION

FIG. 1 is a perspective view of a shoe bottom in accordance with my new design.
 FIG. 2 is a bottom plan view thereof;
 FIG. 3 is a left side view thereof;
 FIG. 4 is a right side view thereof;
 FIG. 5 is a rear elevation view thereof;
 FIG. 6 is a front elevation view thereof; and,
 FIG. 7 is a top plan view thereof.
 Broken lines showing the remainder of the shoe in the figures are for illustrative purposes only and form no part of the claimed invention.

1 Claim, 6 Drawing Sheets



US D662,296 S

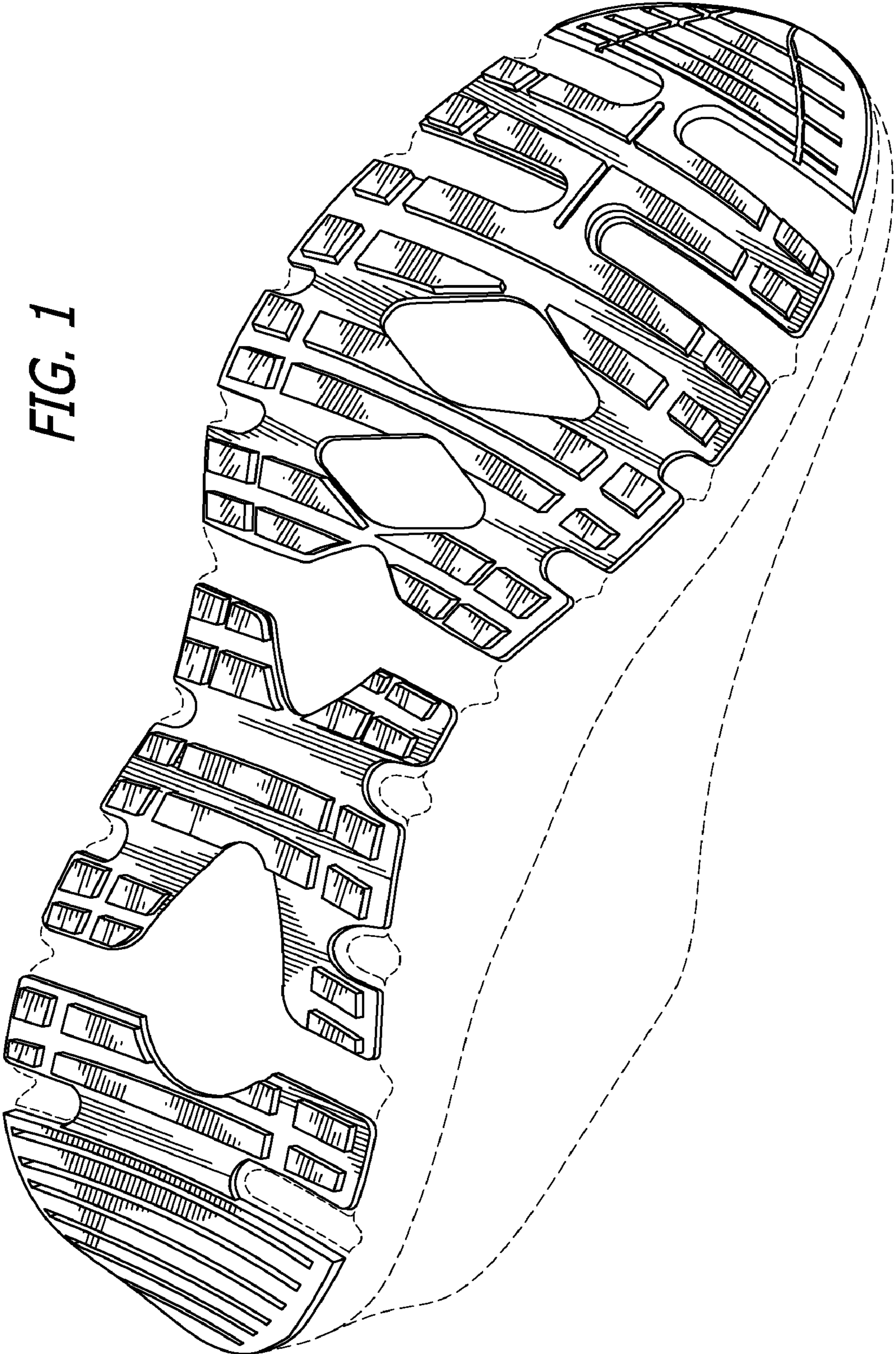
Page 2

U.S. PATENT DOCUMENTS

D644,418 S *	9/2011	Yi	D2/946	D652,201 S *	1/2012	Vestuti et al.	D2/946
D644,420 S *	9/2011	Christopherson	D2/946	2010/0180474 A1 *	7/2010	Clark et al.	36/3 B
D646,871 S *	10/2011	Christopherson	D2/951	2011/0016749 A1 *	1/2011	Callahan et al.	36/103
D648,516 S	11/2011	Yi		2011/0192054 A1 *	8/2011	Wojnar et al.	36/103
D649,753 S *	12/2011	Callahan et al.	D2/953	2011/0232130 A1 *	9/2011	Boudreau et al.	36/88
D649,754 S *	12/2011	Callahan et al.	D2/953				

* cited by examiner

FIG. 1



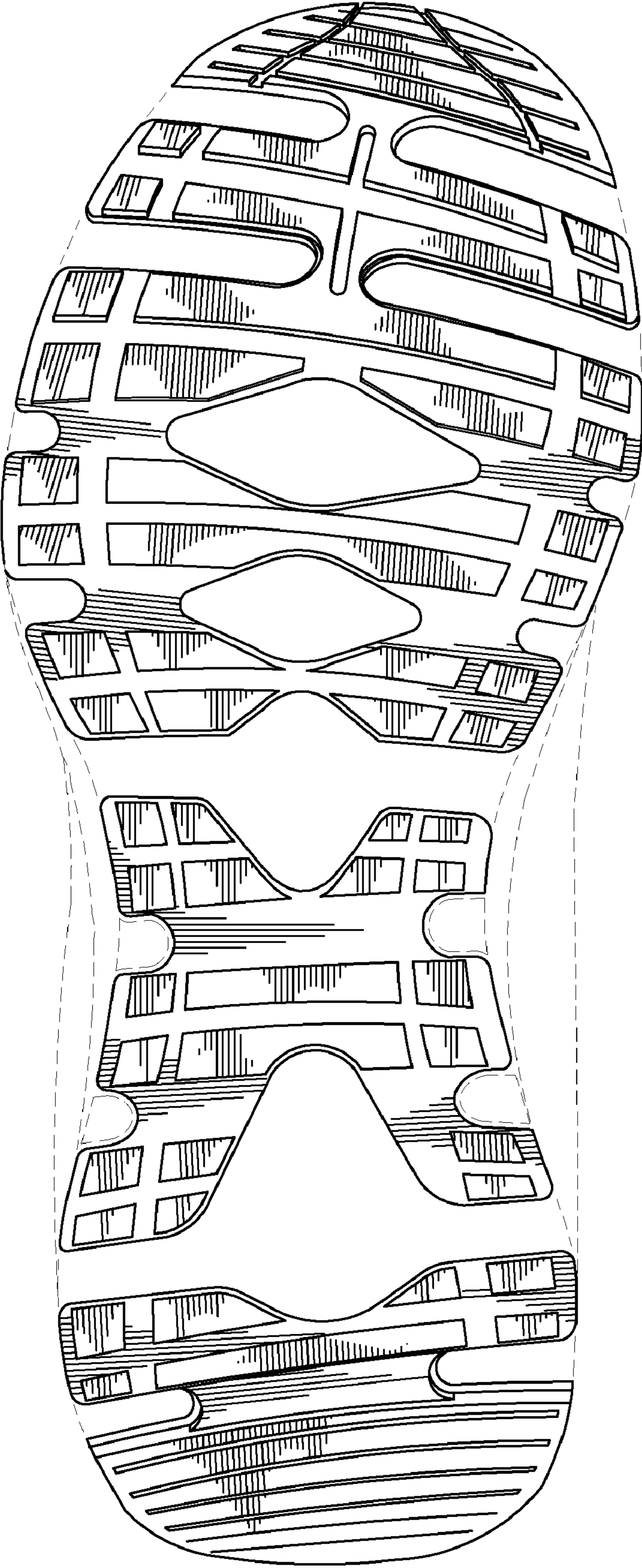


FIG. 2

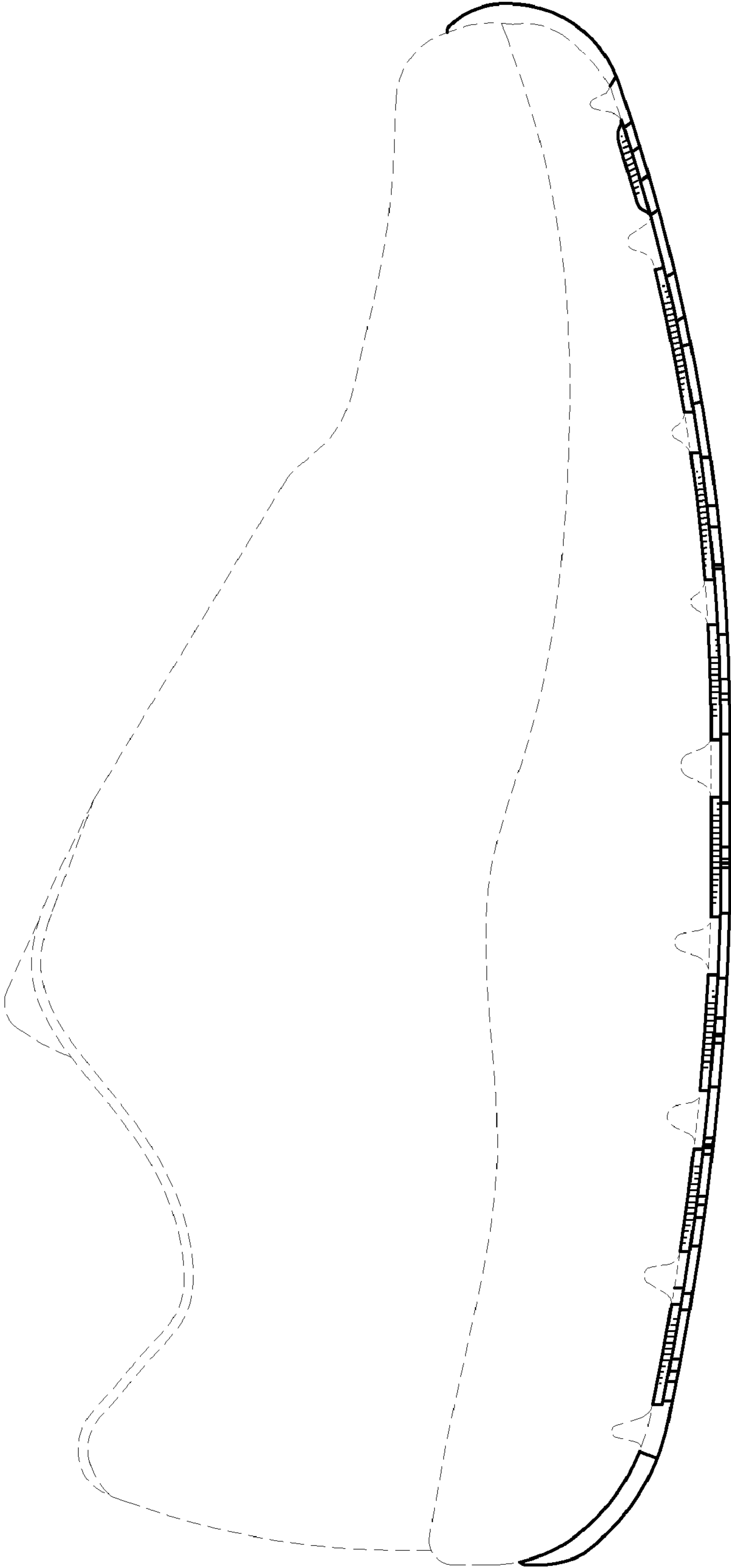


FIG. 3

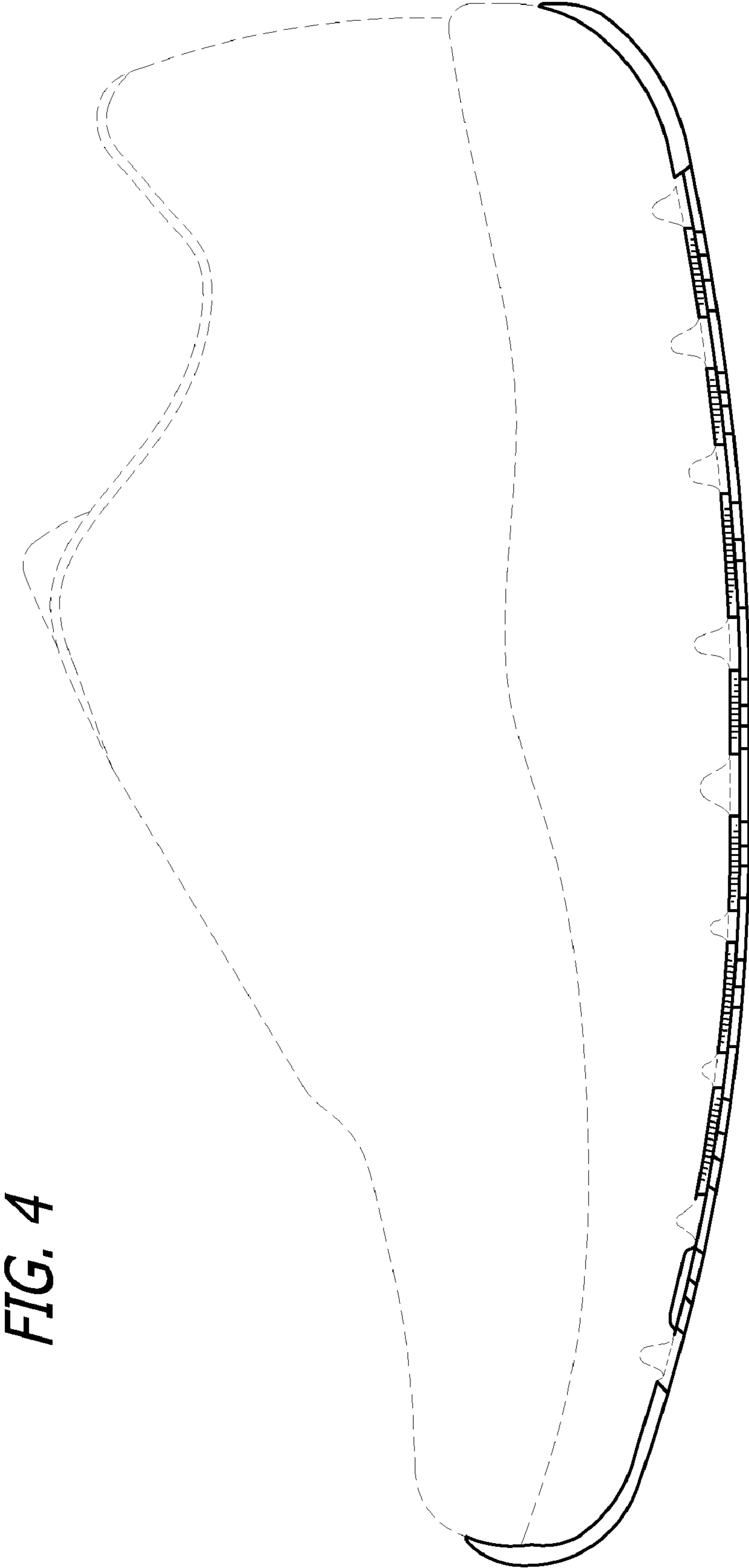


FIG. 4

FIG. 6

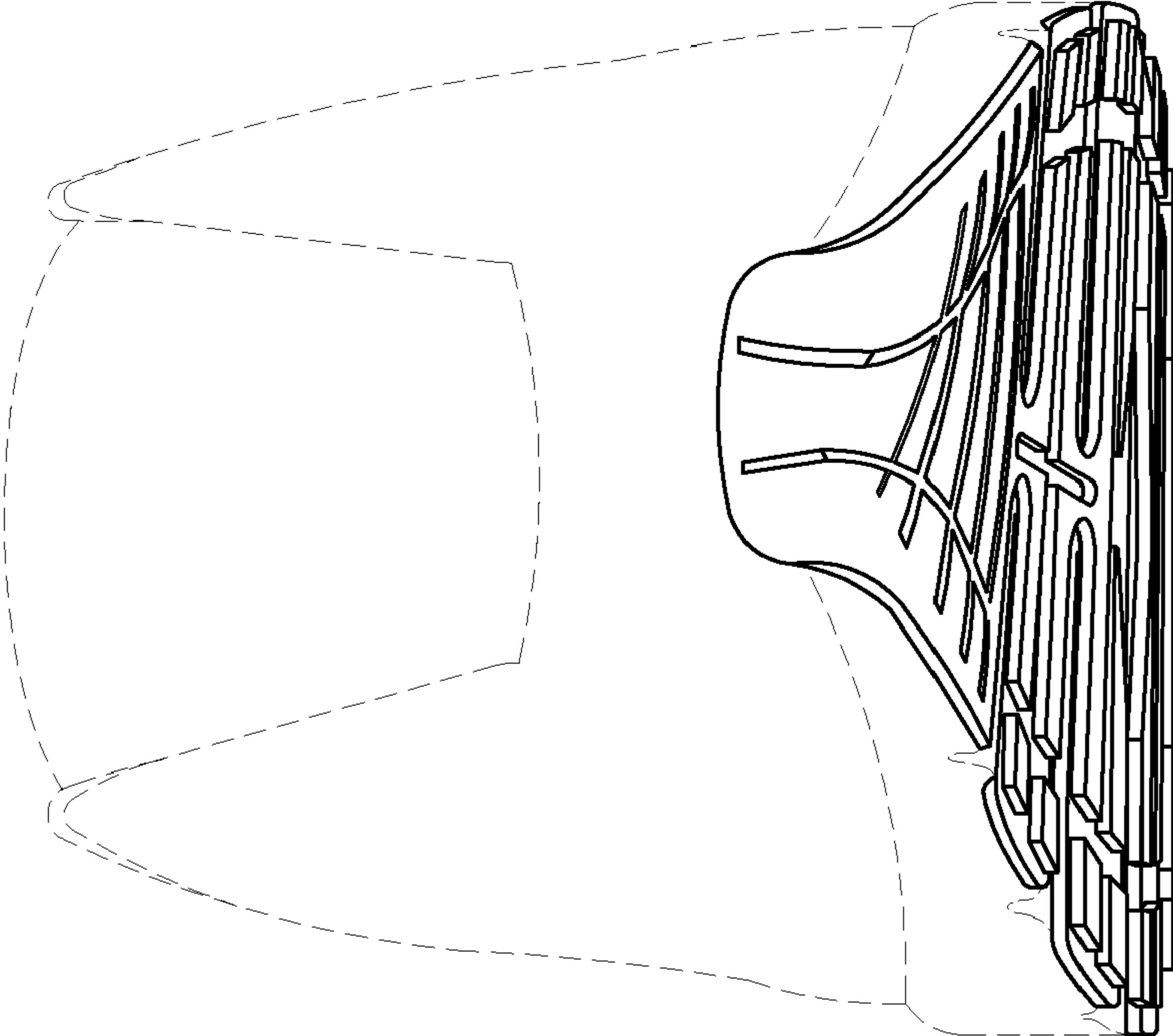
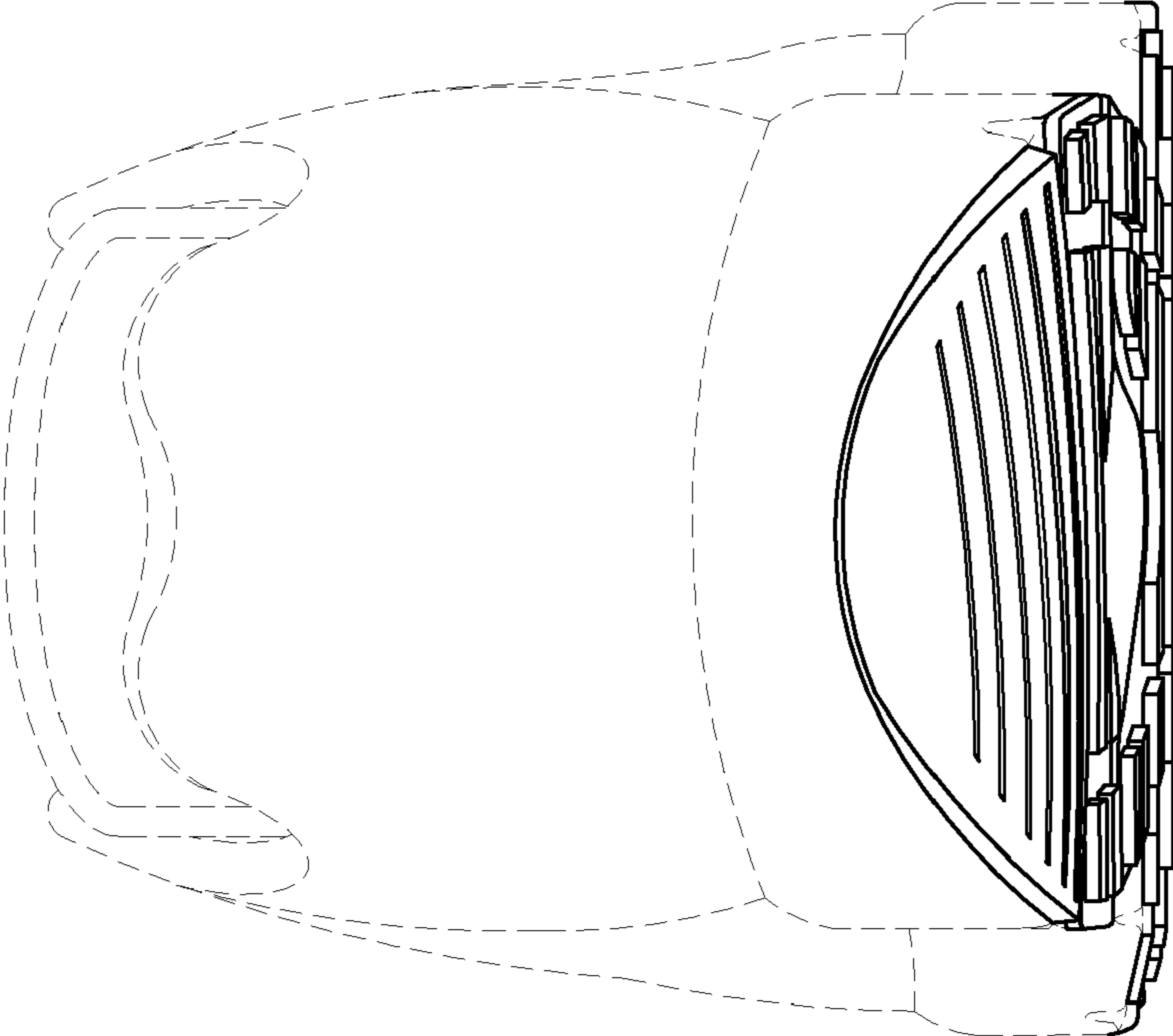


FIG. 5



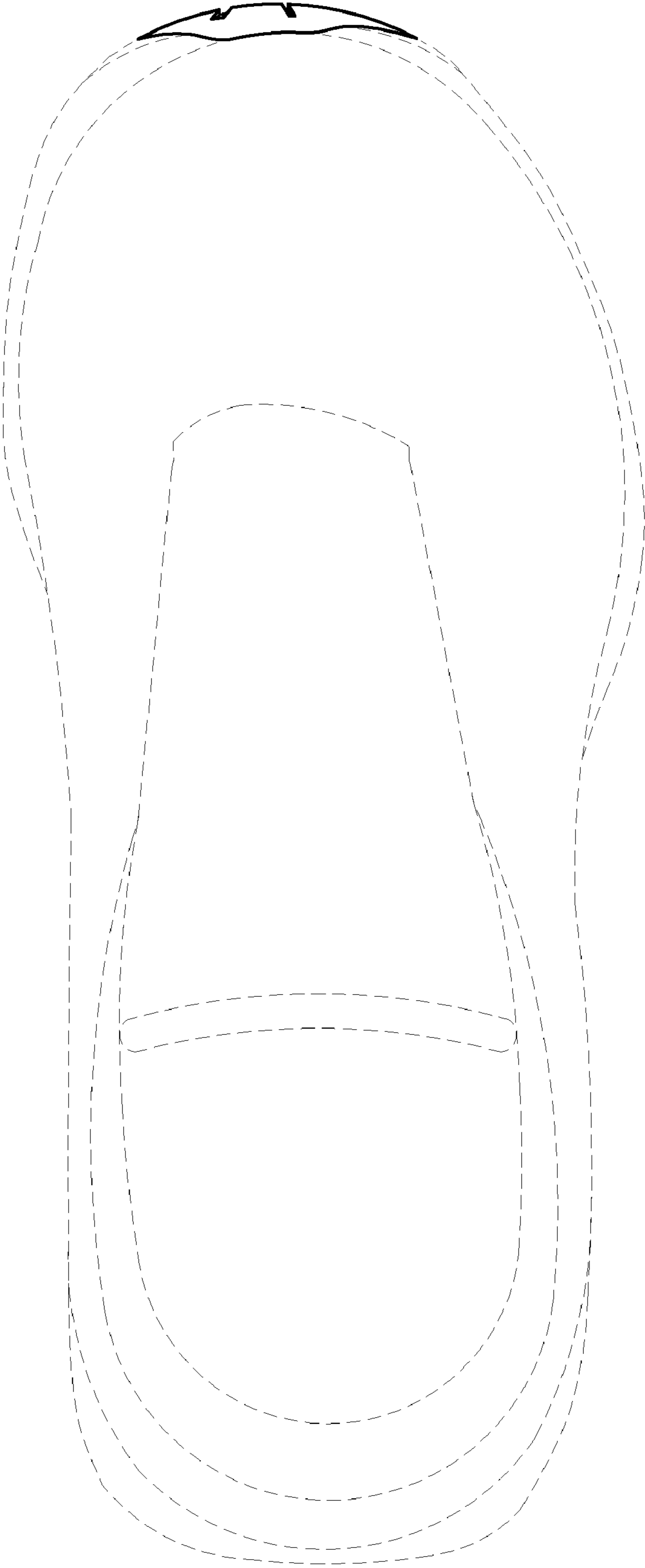


FIG. 7