



US00D662290S

(12) **United States Design Patent**  
**Morgan**

(10) **Patent No.:** **US D662,290 S**

(45) **Date of Patent:** **\*\* Jun. 26, 2012**

(54) **CAP**

(76) **Inventor:** **Seth James Morgan, Winnetka, CA (US)**

(\*\*) **Term:** **14 Years**

(21) **Appl. No.:** **29/398,827**

(22) **Filed:** **Aug. 4, 2011**

(51) **LOC (9) Cl.** ..... **02-03**

(52) **U.S. Cl.** ..... **D2/882**

(58) **Field of Classification Search** ..... D2/865,  
D2/866, 872, 875, 876, 877, 878, 879, 880,  
D2/881, 882, 883, 884, 885, 886, 887, 888,  
D2/891, 893; D29/102, 103, 104, 105, 106,  
D29/107; 2/171, 175.1, 175.2, 175.3, 175.4,  
2/175.5, 183, 184, 195.1, 195.2, 195.3, 195.4,  
2/200.1, 209.11, 209.12, 209.13; 40/329  
See application file for complete search history.

(56) **References Cited**

**U.S. PATENT DOCUMENTS**

D21,712 S *	7/1892	Brundage	.....	D2/872
D31,107 S *	6/1899	Davis	.....	D2/882
1,748,375 A *	2/1930	Wittcoff	.....	2/182.1
D85,193 S *	9/1931	McKinnon	.....	D2/886
D168,920 S *	2/1953	Wittcoff	.....	D29/104
D315,439 S *	3/1991	Lorentzen, Jr.	.....	D2/882
D317,223 S *	6/1991	Copeland	.....	D2/872
5,091,994 A *	3/1992	Delane et al.	.....	2/209.13
D384,488 S *	10/1997	Kaufman	.....	D2/866
D384,789 S *	10/1997	Crabb et al.	.....	D2/866
D441,518 S *	5/2001	Bean	.....	D2/866
6,237,155 B1 *	5/2001	Seegar	.....	2/175.1
6,243,877 B1 *	6/2001	Heyward, Jr.	.....	2/195.1
D503,846 S *	4/2005	Gallagher et al.	.....	D2/881
6,941,581 B1 *	9/2005	England et al.	.....	2/195.2

D523,612 S *	6/2006	Steger	.....	D2/882
D612,134 S *	3/2010	Hoffman	.....	D2/872
D619,789 S *	7/2010	Barany	.....	D2/882
D633,282 S *	3/2011	Chekallah	.....	D2/882
D641,139 S *	7/2011	Shearer	.....	D2/866
2003/0093851 A1 *	5/2003	Maya	.....	2/195.1
2005/0086724 A1 *	4/2005	Marsh et al.	.....	2/195.1
2005/0251894 A1 *	11/2005	Marsh et al.	.....	2/195.3
2006/0107440 A1 *	5/2006	Keffer	.....	2/175.1

**OTHER PUBLICATIONS**

U.S. Appl. No. 77/575,006, filed Sep. 20, 2008, for unpunctuated workmark, "Doubleheader Cap." Downloaded from Trademark Registry on Feb. 12, 2012.\*

2 offset-overlapping visors as part of baseball-style cap, [on-line]; [uploaded to Internet as early as Sep. 12, 2011]; [downloaded from Internet on Feb. 12, 2012]; URL: <<http://www.quirky.com/ideations/92451>>. (4 pages).\*

\* cited by examiner

*Primary Examiner* — Karen E Eldridge Powers

(74) *Attorney, Agent, or Firm* — QuickPatents, Inc.; Kevin Prince

(57) **CLAIM**

I claim the ornamental design for a cap, as shown and described.

**DESCRIPTION**

FIG. 1 is a perspective view of a cap, showing my new design; FIG. 2 is a top plan view thereof; FIG. 3 is a bottom plan view thereof; FIG. 4 is a front elevational view thereof; FIG. 5 is a rear elevational view thereof; FIG. 6 is a left-side elevational view thereof; and, FIG. 7 is a right-side elevational view thereof.

**1 Claim, 3 Drawing Sheets**

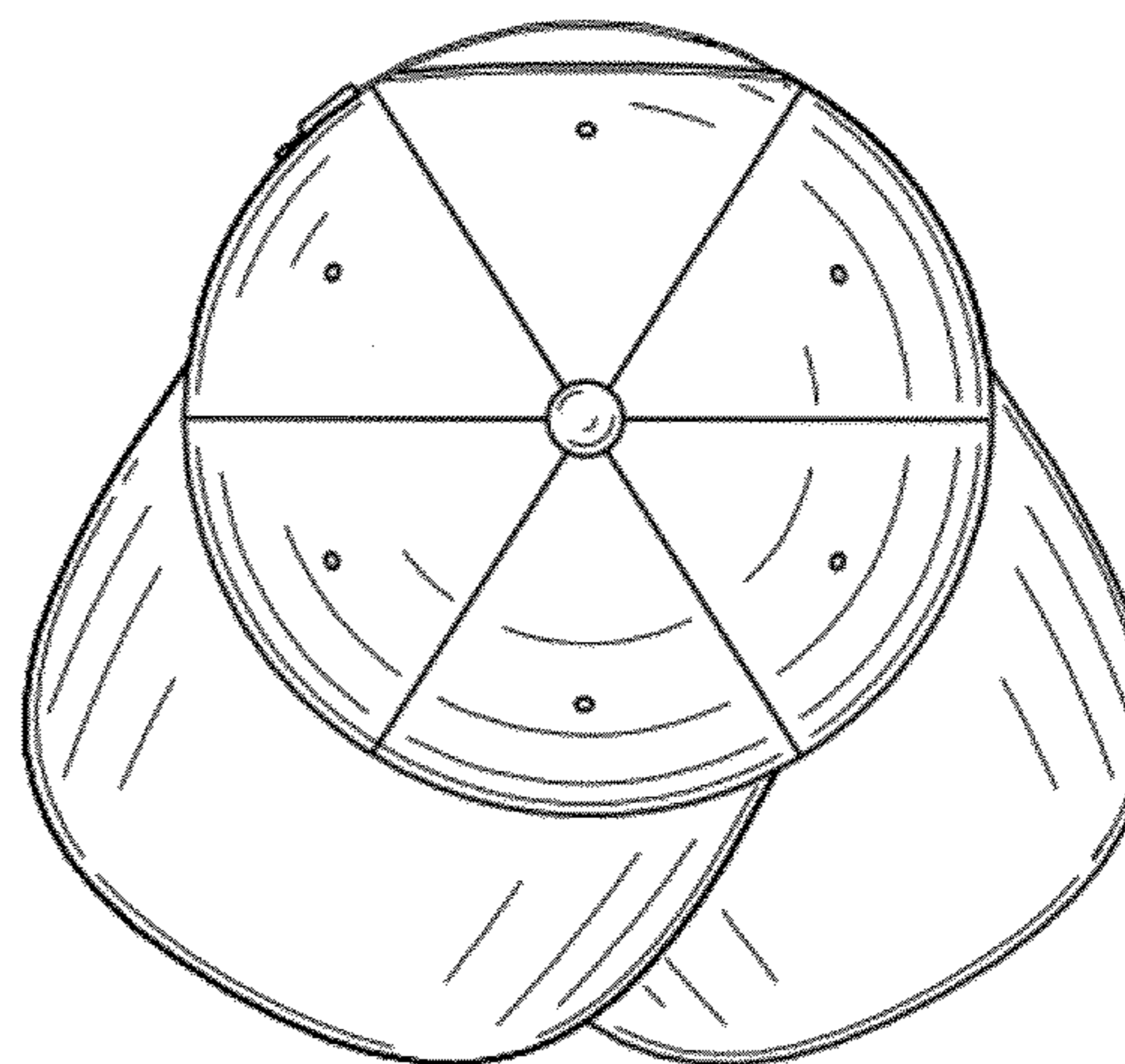
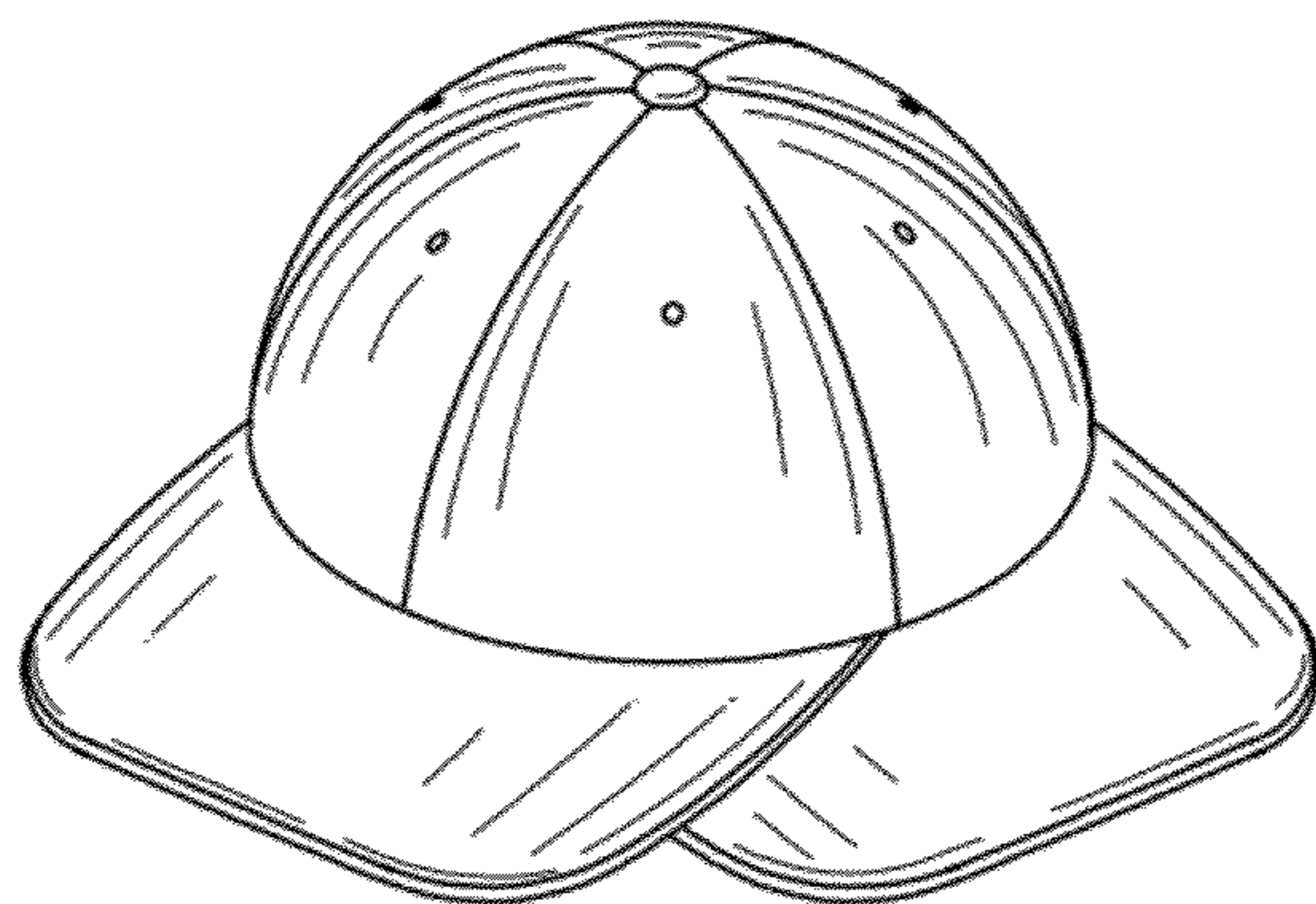


FIG. 1

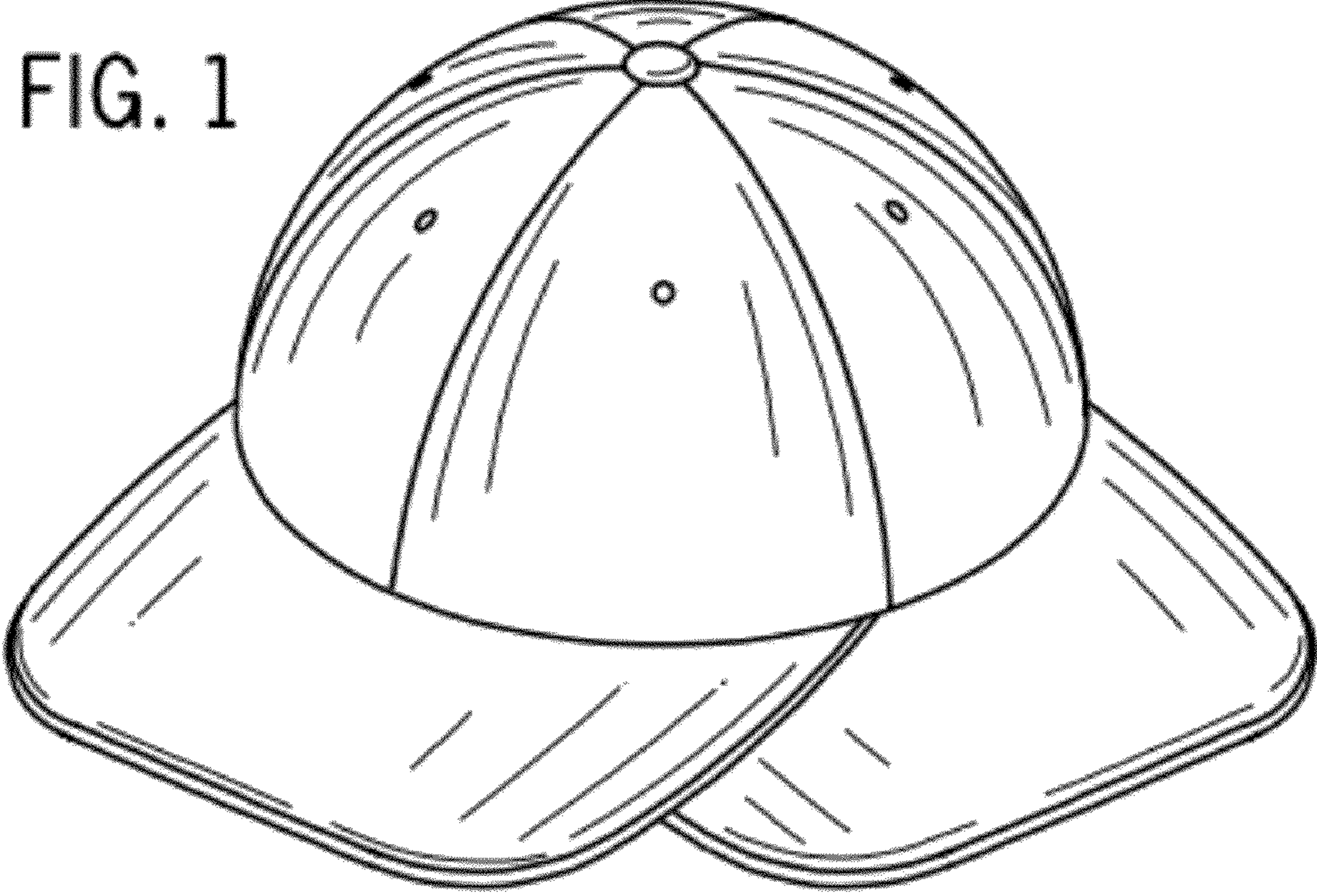


FIG. 2

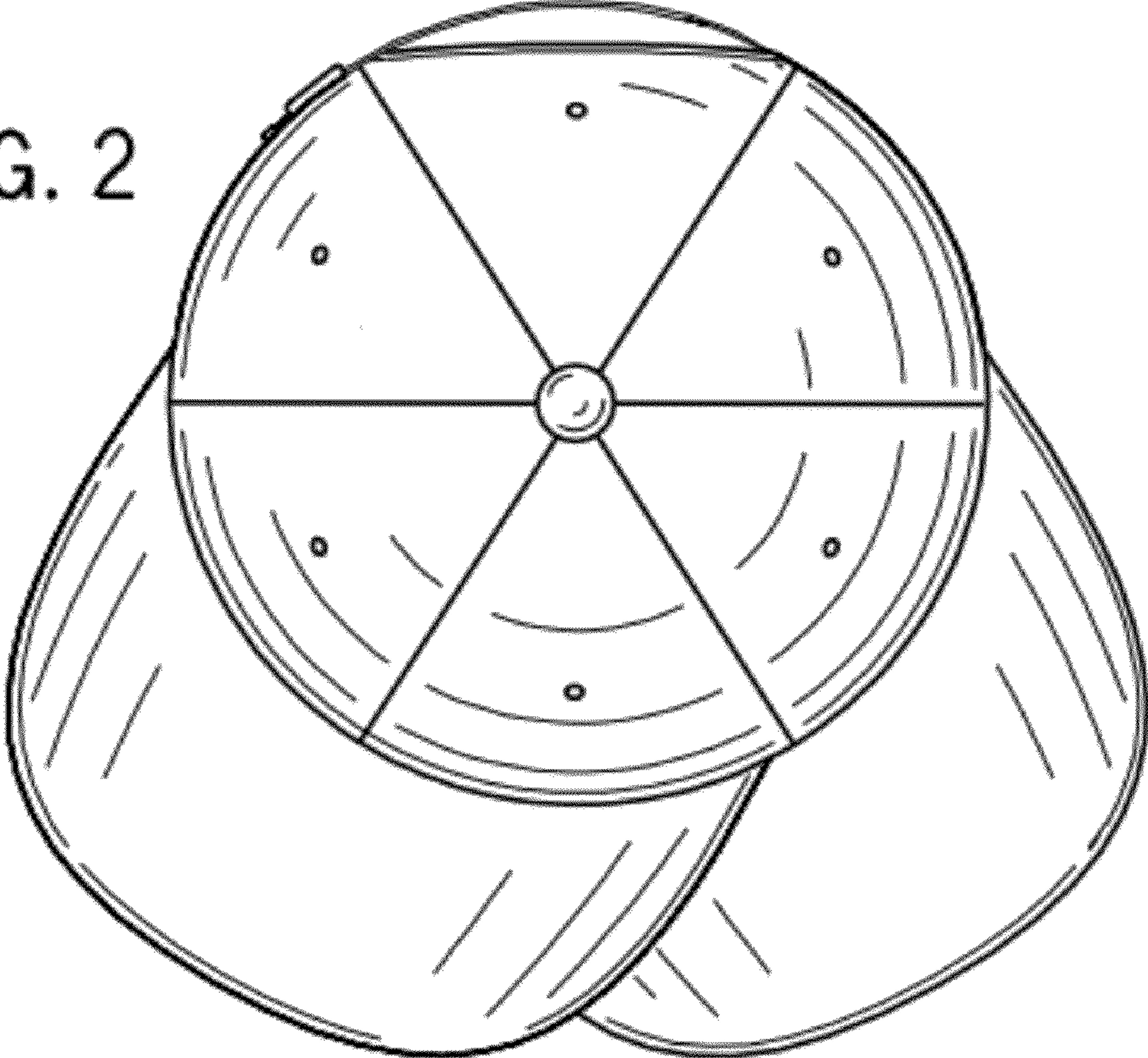


FIG. 3

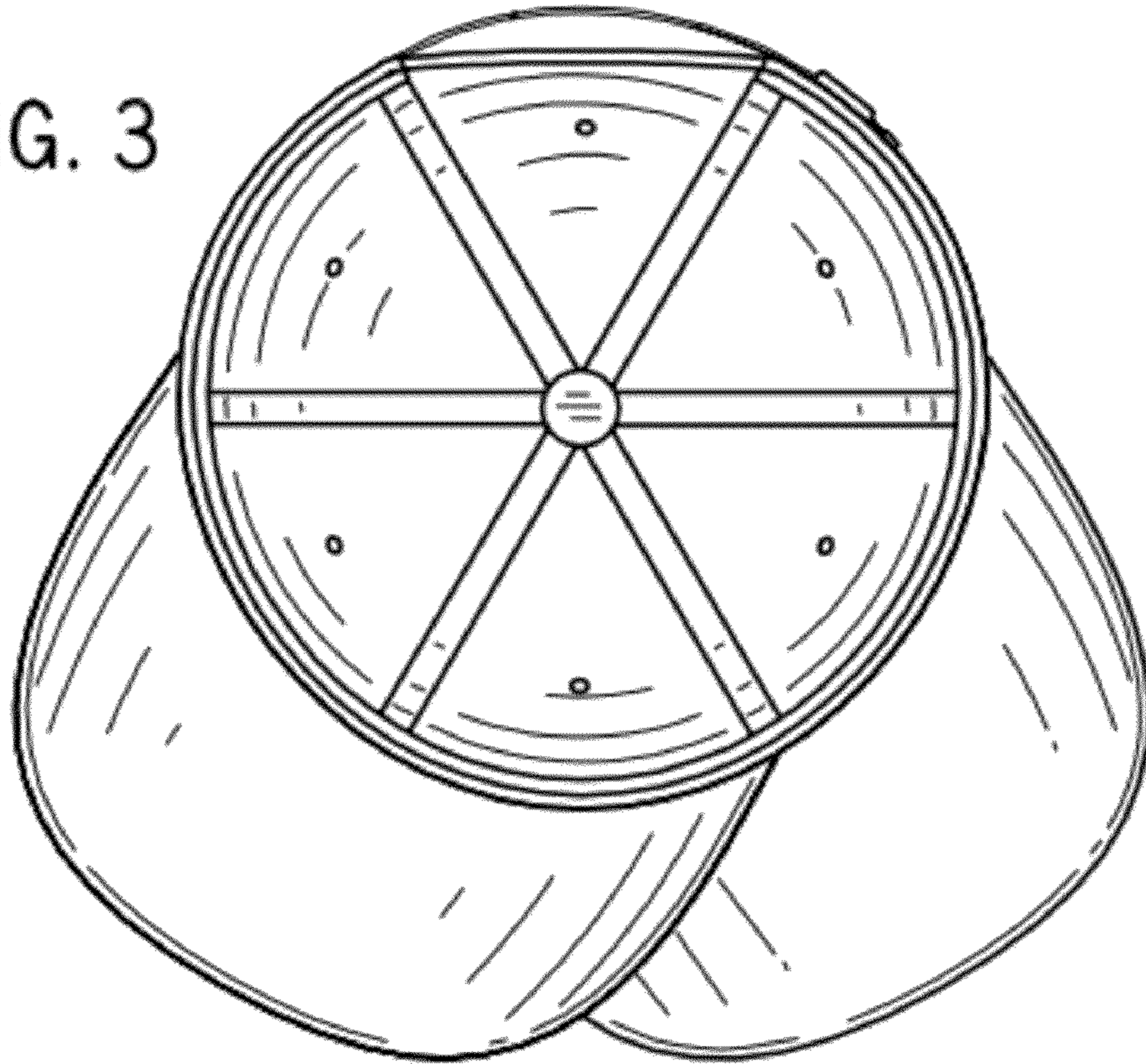


FIG. 4

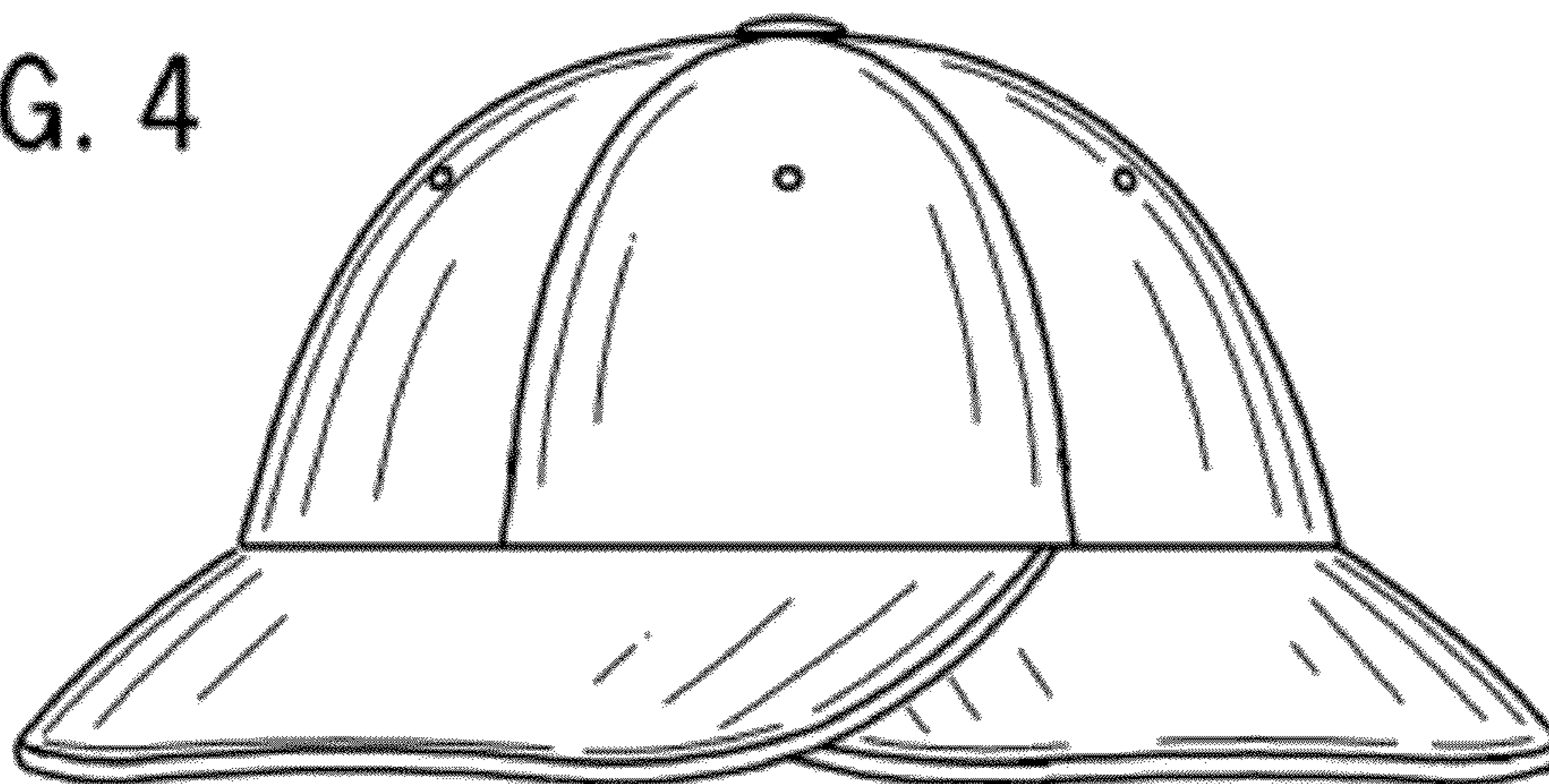


FIG. 5

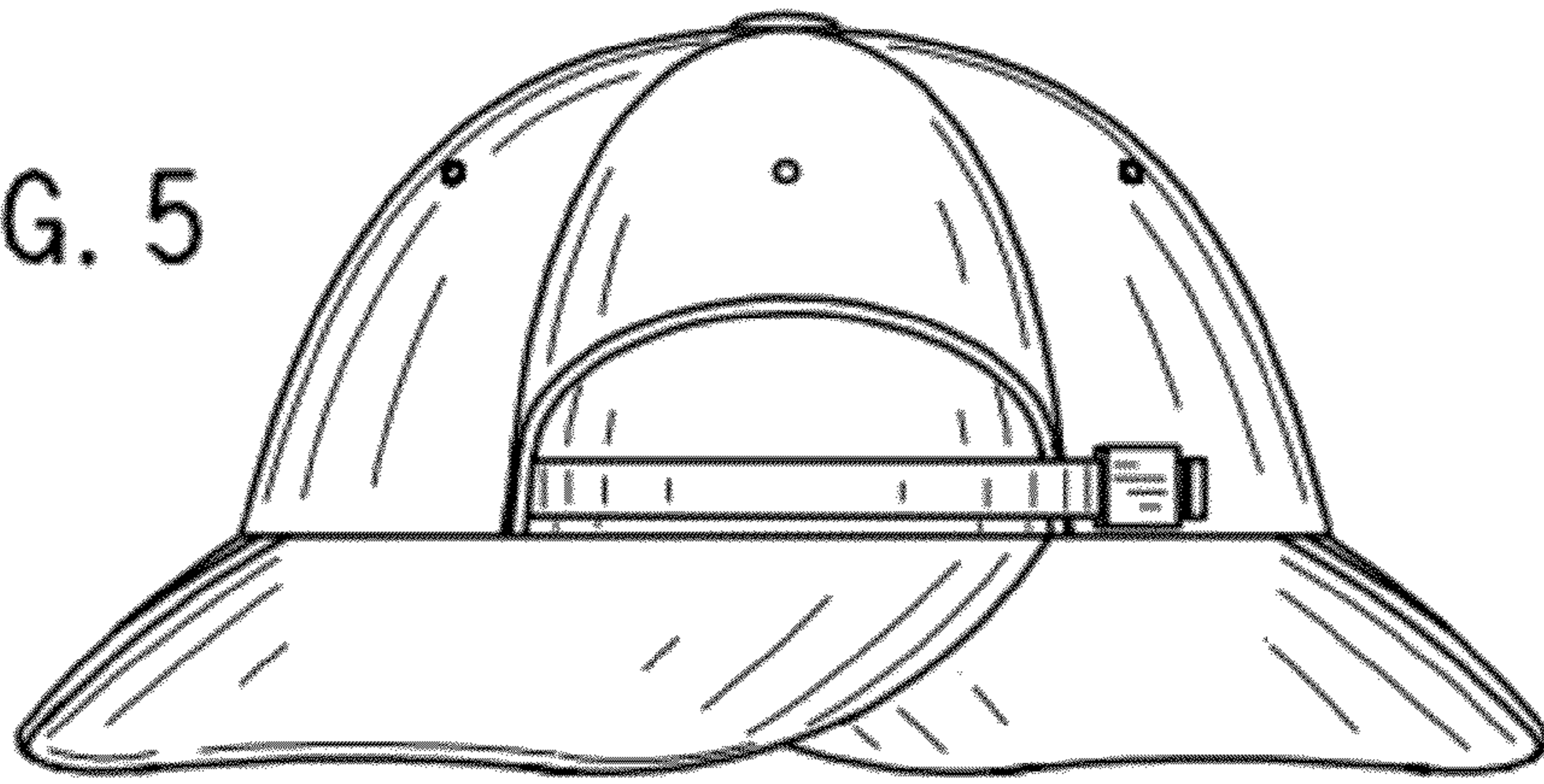


FIG. 6

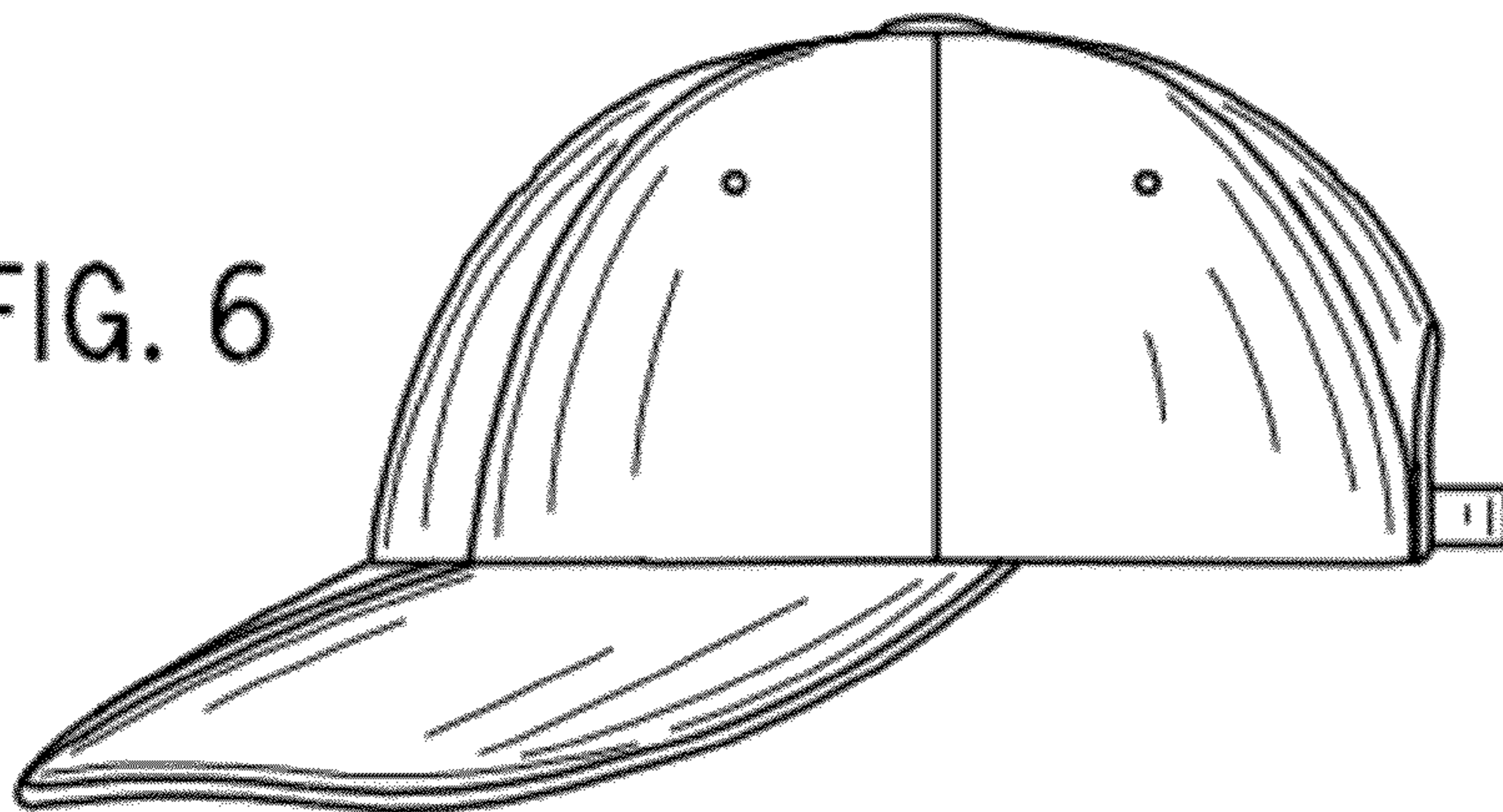


FIG. 7

