



US00D662274S

(12) **United States Design Patent**
Riconda et al.

(10) **Patent No.:** **US D662,274 S**

(45) **Date of Patent:** **** Jun. 19, 2012**

(54) **ELECTRIC HOIST**

(76) Inventors: **Thomas J. Riconda**, Brewster, NY
(US); **Manzoor Ahmed**, Astoria, NY
(US)

(**) Term: **14 Years**

(21) Appl. No.: **29/379,959**

(22) Filed: **Nov. 29, 2010**

(51) **LOC (9) Cl.** **12-05**

(52) **U.S. Cl.** **D34/33**

(58) **Field of Classification Search** D34/28,
D34/33; 254/362, 356, 372, 380, 901, 382,
254/374, 316; D8/14, 21, 28, 54; 414/426,
414/427, 428, 430

See application file for complete search history.

(56) **References Cited**

U.S. PATENT DOCUMENTS

4,434,973 A	3/1984	Desplats	
D307,965 S	5/1990	Eley et al.	
5,002,259 A	3/1991	Manning et al.	
D411,364 S	6/1999	Sasaki et al.	
D459,048 S	6/2002	Leemans	
D491,333 S	6/2004	Blasek	
D540,003 S	4/2007	Hagihara et al.	
D550,720 S *	9/2007	Geisler et al.	D34/33
D550,923 S *	9/2007	Huang	D34/33
D550,924 S *	9/2007	Huang	D34/33
D555,874 S *	11/2007	Elliott et al.	D34/33
D556,420 S	11/2007	Trihey et al.	
D571,973 S *	6/2008	Burns et al.	D34/33
D573,775 S *	7/2008	Burns et al.	D34/33
D586,073 S	2/2009	Tsao	
D586,973 S	2/2009	Elsen et al.	
D591,923 S	5/2009	Freitas et al.	
D595,921 S	7/2009	Walstrom et al.	
D596,369 S	7/2009	Walstrom et al.	
D597,105 S *	7/2009	Geisler et al.	D15/9
D599,524 S *	9/2009	Averill et al.	D34/33

D636,143 S *	4/2011	Nagase et al.	D34/33
D636,144 S *	4/2011	Nagase et al.	D34/33
D640,442 S *	6/2011	Borntrager et al.	D34/33

* cited by examiner

Primary Examiner — Cynthia Ramirez

(74) *Attorney, Agent, or Firm* — Carter, DeLuca, Farrell & Schmidt, LLP

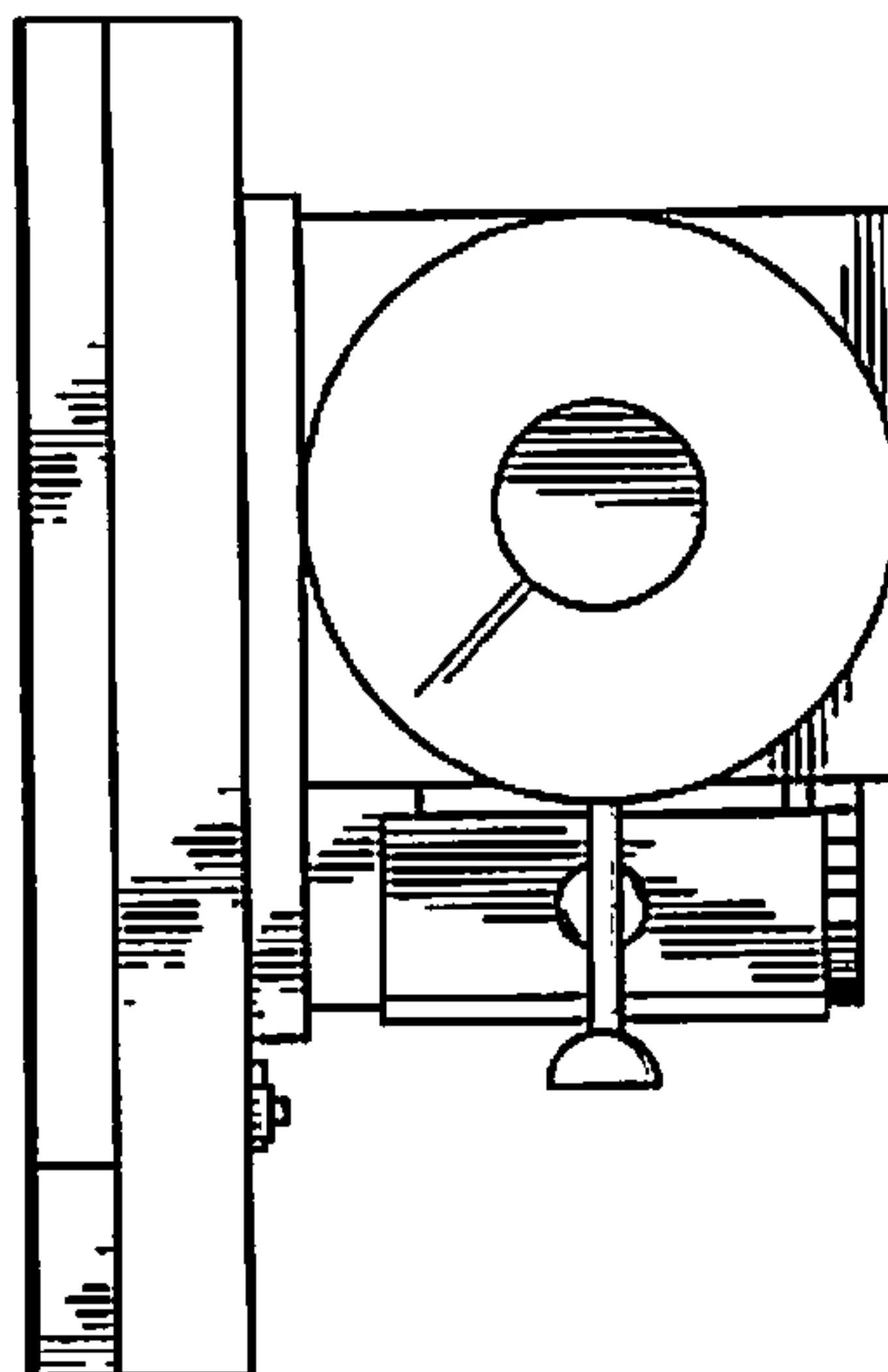
(57) **CLAIM**

The ornamental design for an electric hoist, as shown and described.

DESCRIPTION

FIG. 1 is a top view of an electric hoist in accordance with a first embodiment;
 FIG. 2 is a right side view of an electric hoist in accordance with a first embodiment;
 FIG. 3 is a left side view of an electric hoist in accordance with a first embodiment;
 FIG. 4 is a bottom view of an electric hoist in accordance with a first embodiment;
 FIG. 5 is a back view of an electric hoist in accordance with a first embodiment;
 FIG. 6 is a front view of an electric hoist in accordance with a first embodiment;
 FIG. 7 is a top view of an electric hoist in accordance with a second embodiment;
 FIG. 8 is a right side view of an electric hoist in accordance with a second embodiment;
 FIG. 9 is a left side view of an electric hoist in accordance with a second embodiment;
 FIG. 10 is a bottom view of an electric hoist in accordance with a second embodiment;
 FIG. 11 is a back view of an electric hoist in accordance with a second embodiment;
 FIG. 12 is a front view of an electric hoist in accordance with a second embodiment; and,
 FIG. 13 is a perspective view of FIG. 1.

1 Claim, 9 Drawing Sheets



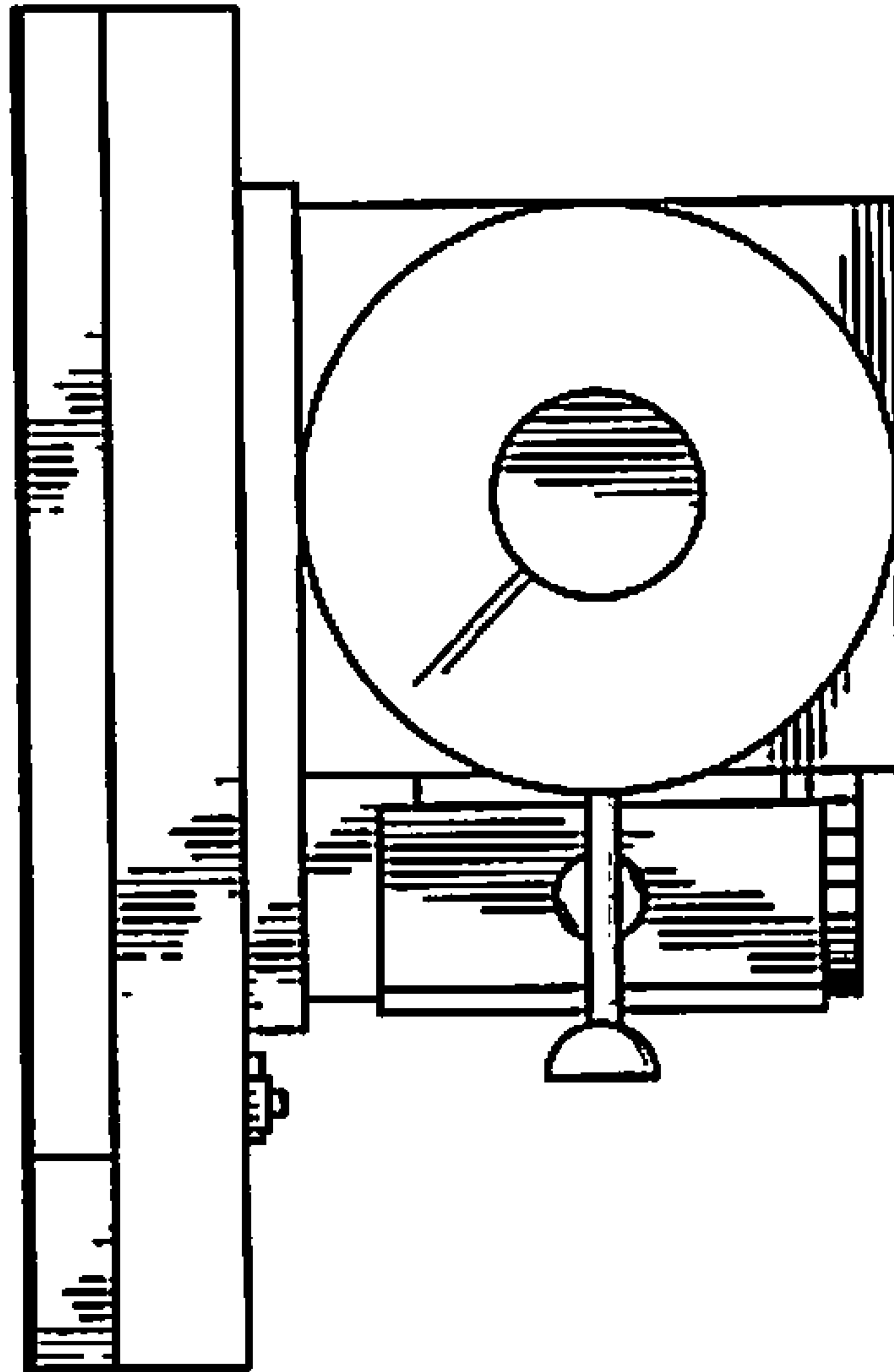


FIG. 1

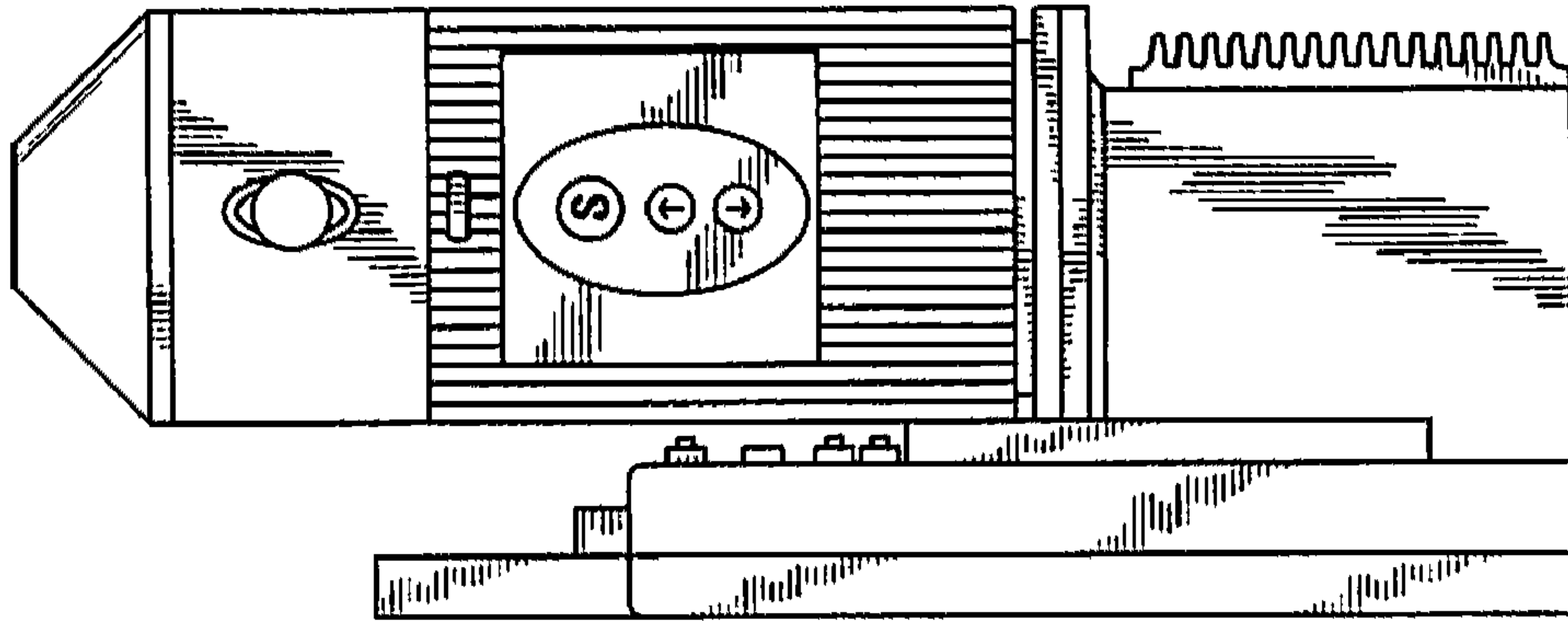


FIG. 3

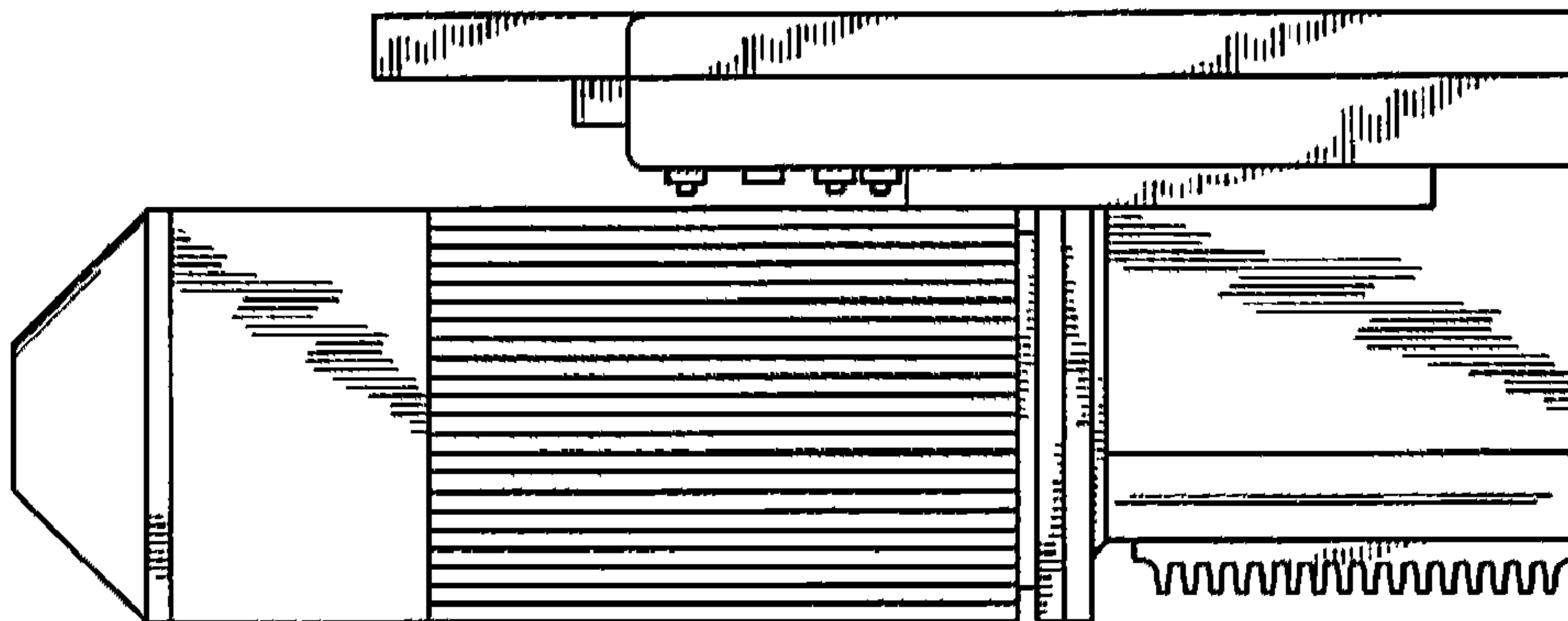


FIG. 2

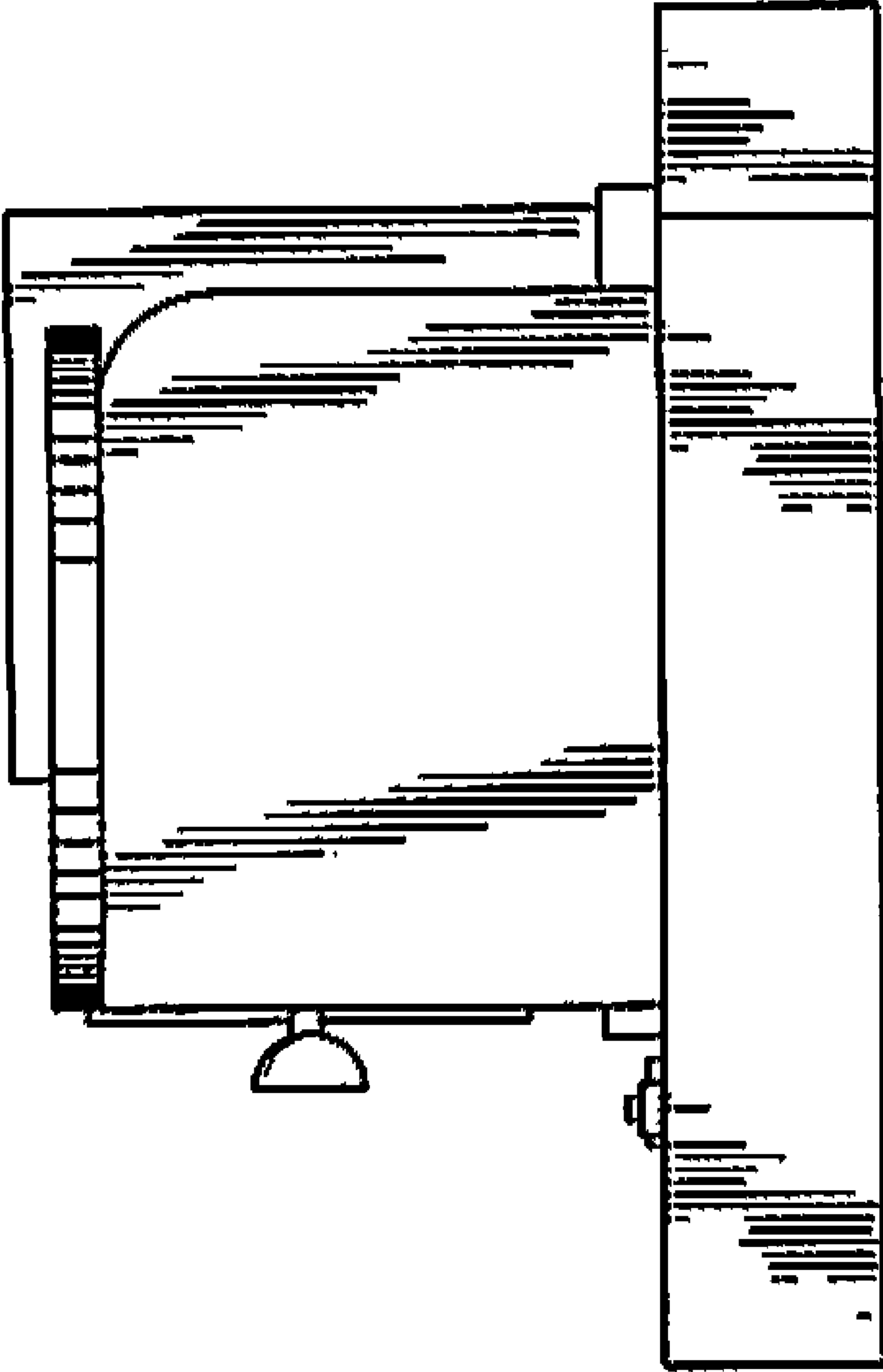


FIG. 4

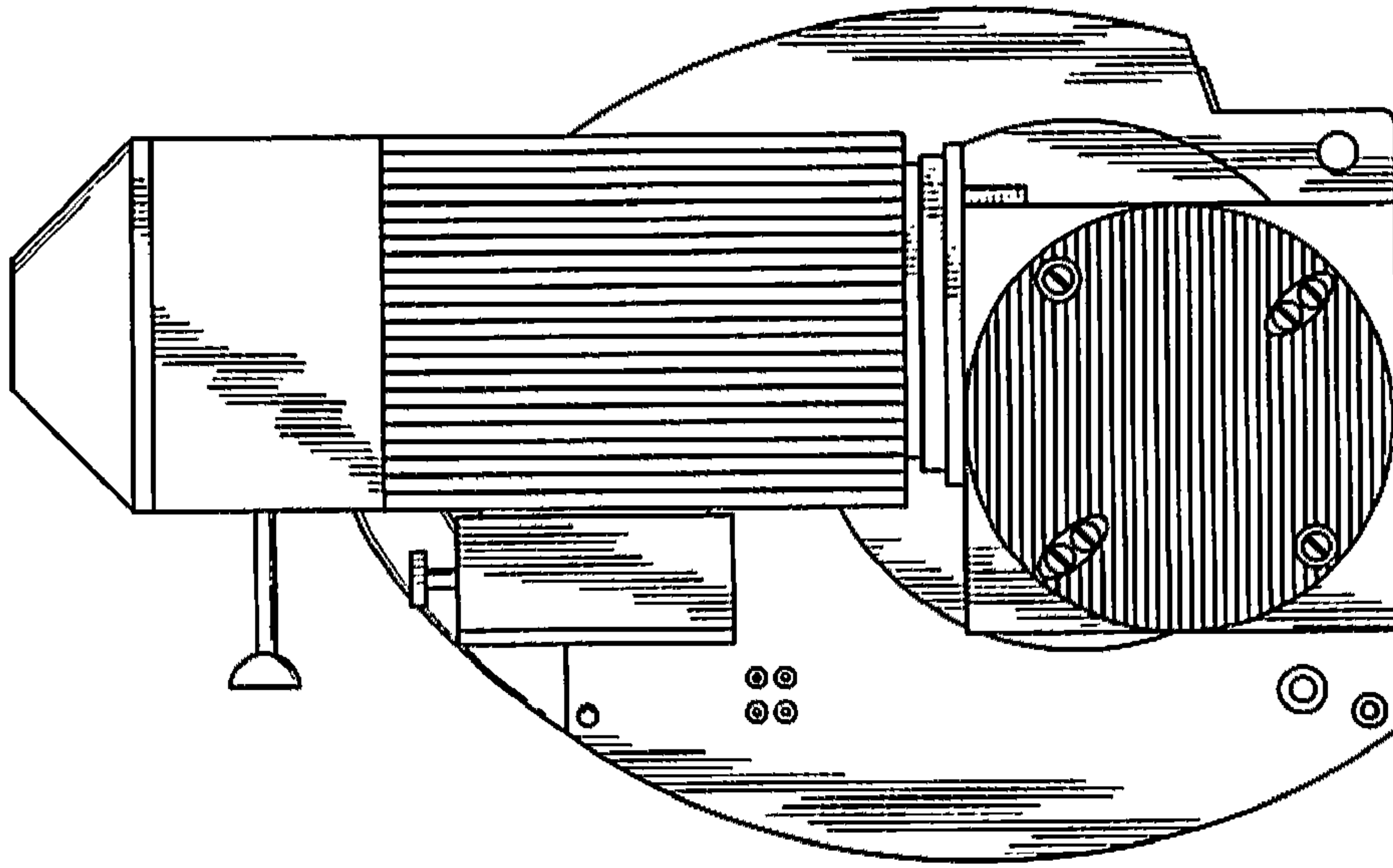


FIG. 6

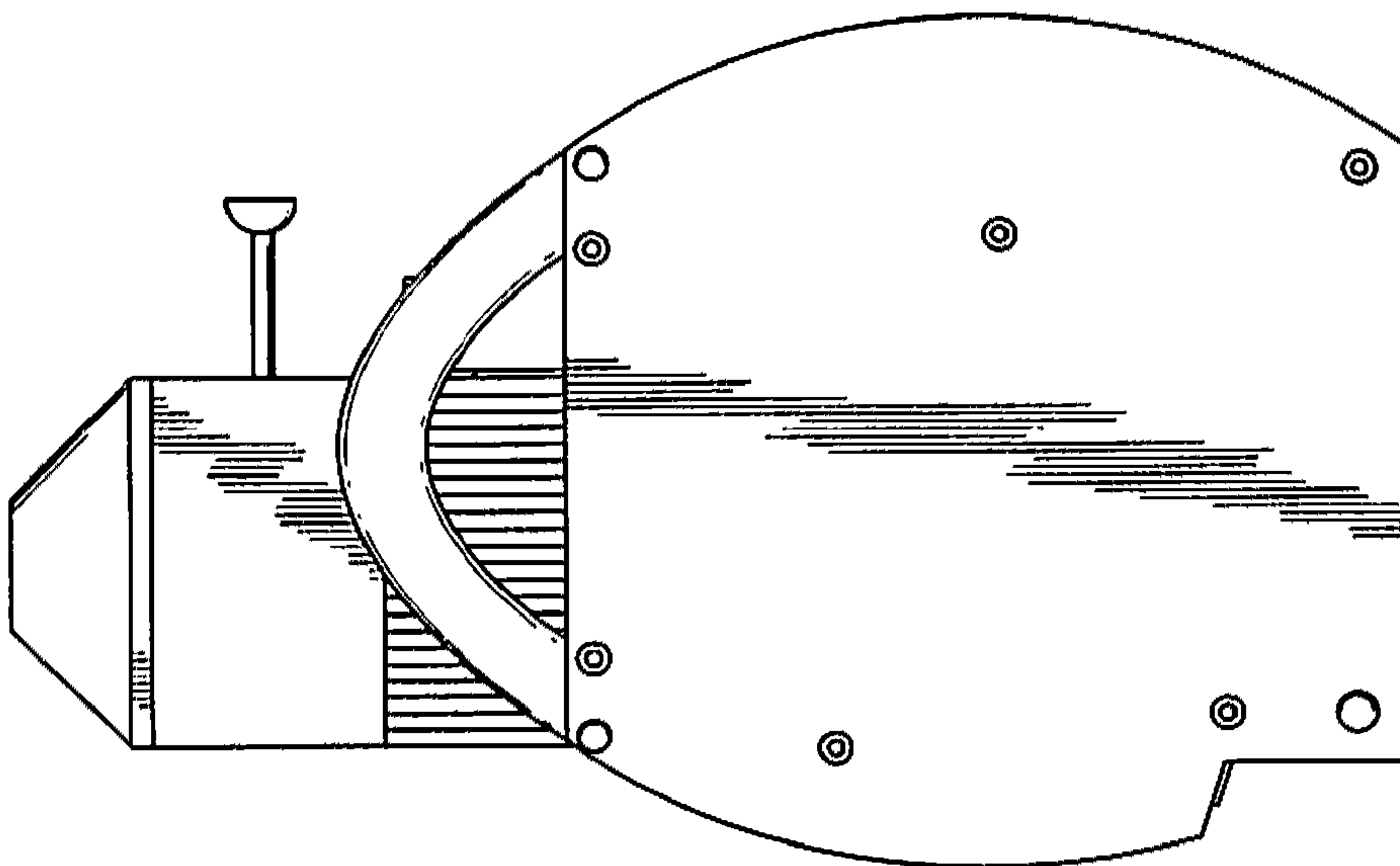


FIG. 5

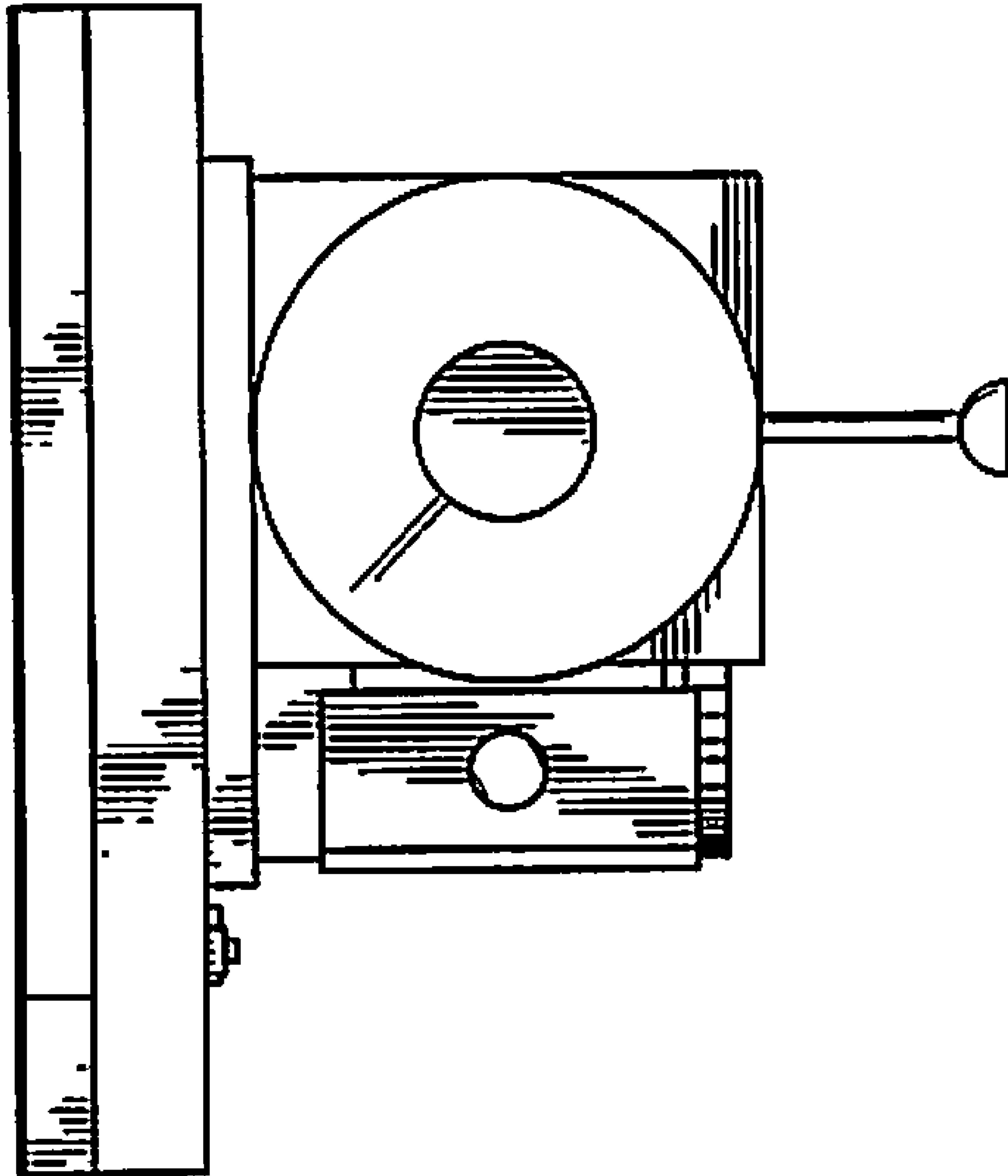


FIG. 7

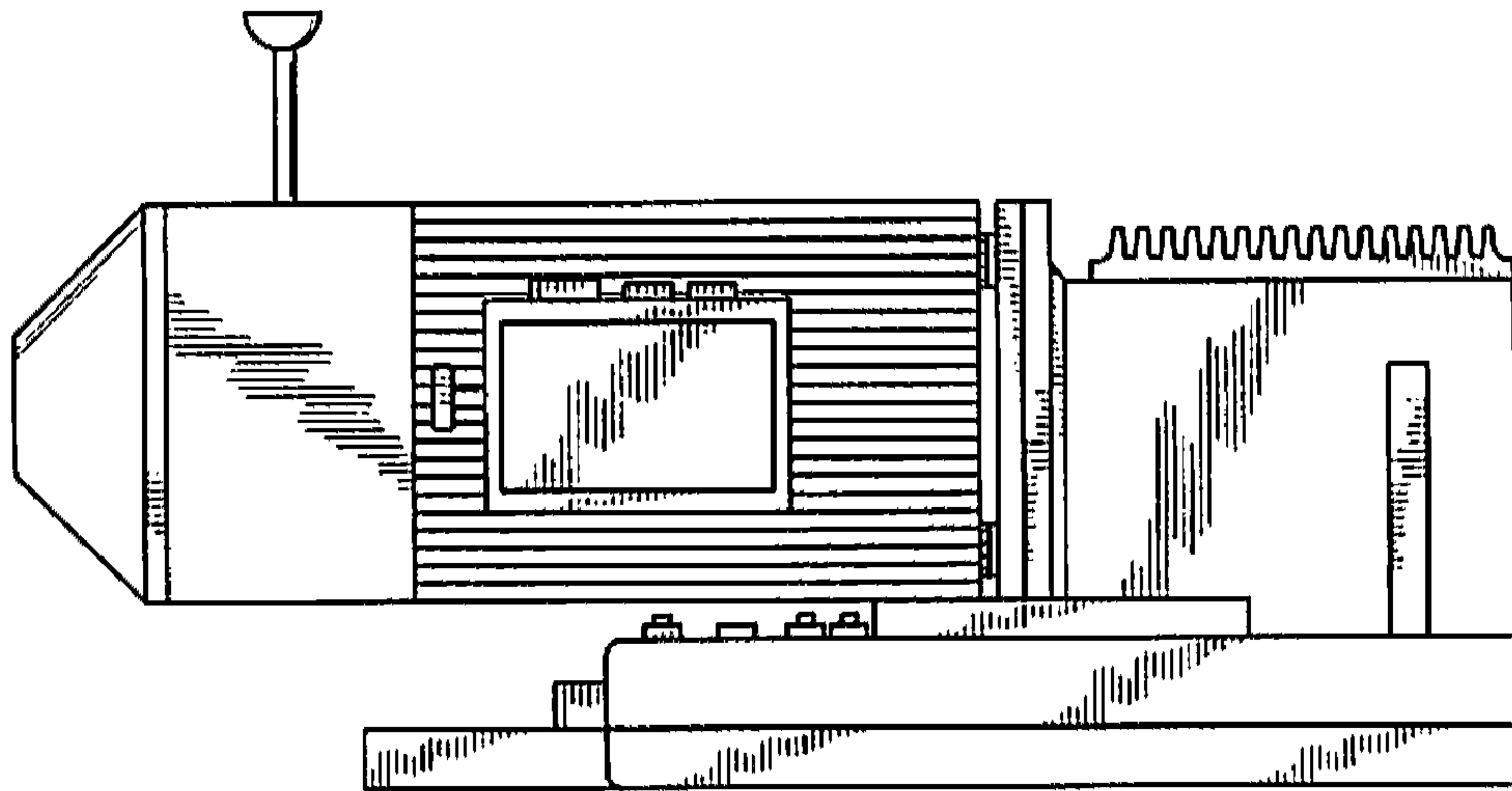


FIG. 9

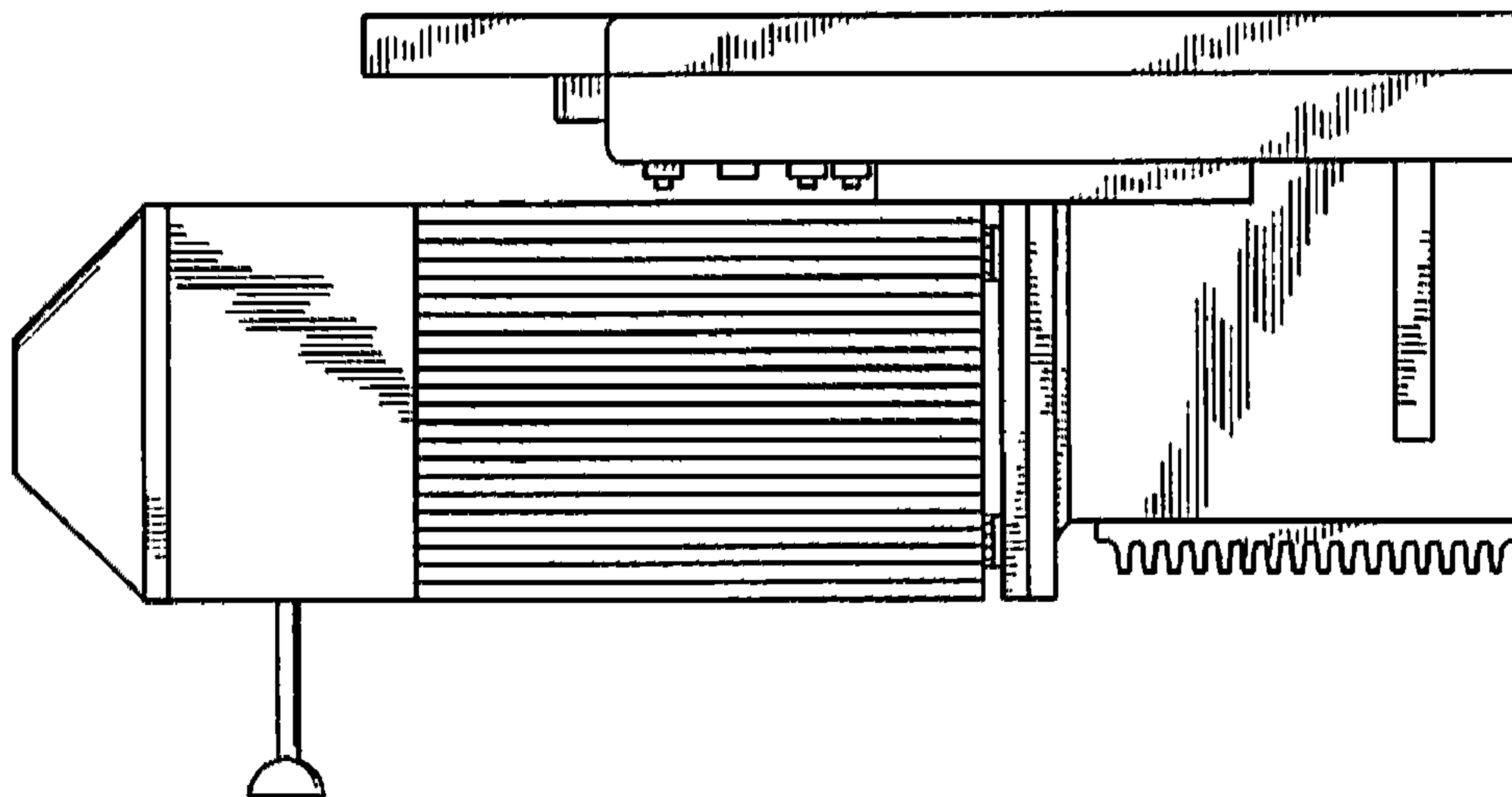


FIG. 8

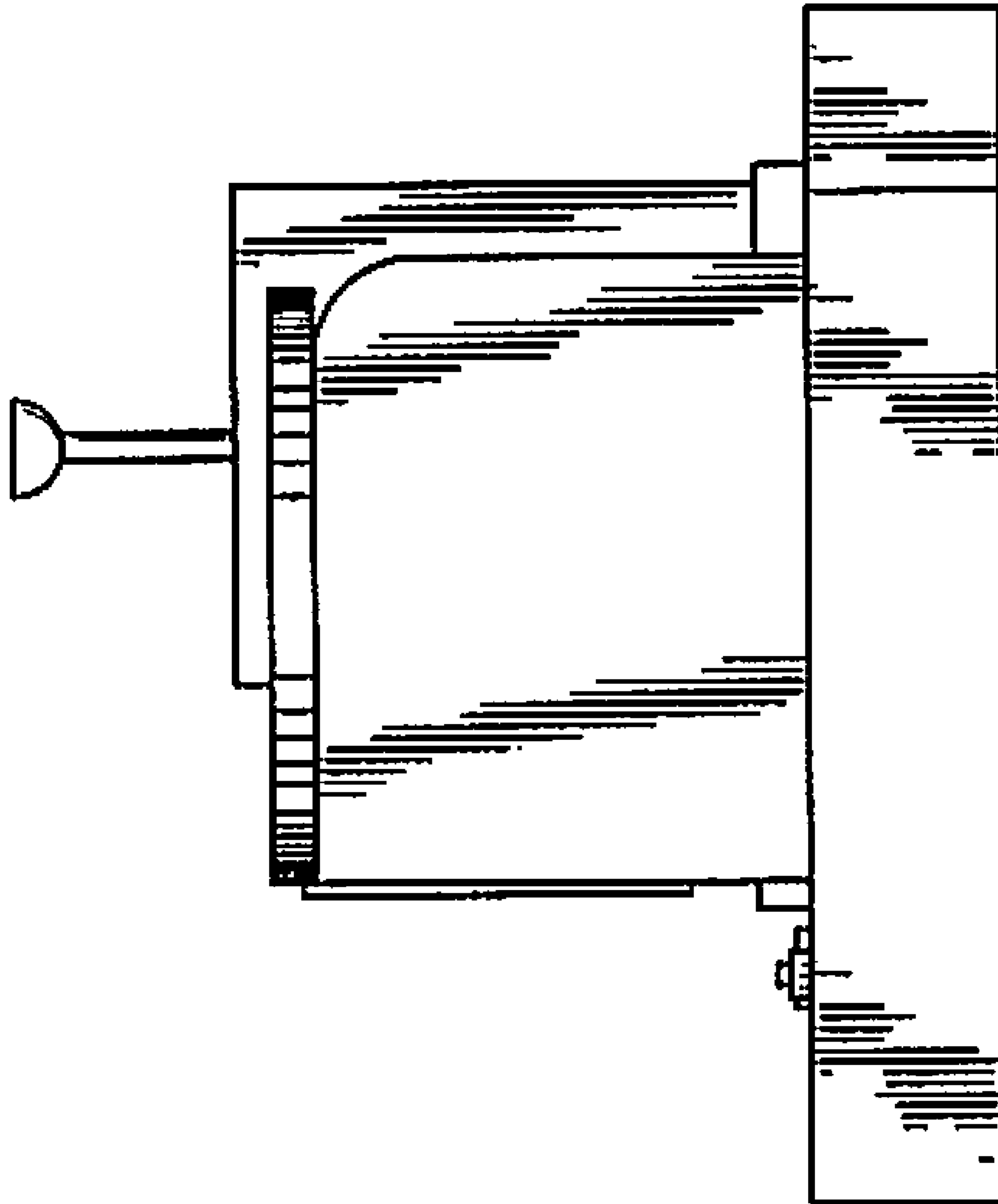


FIG. 10

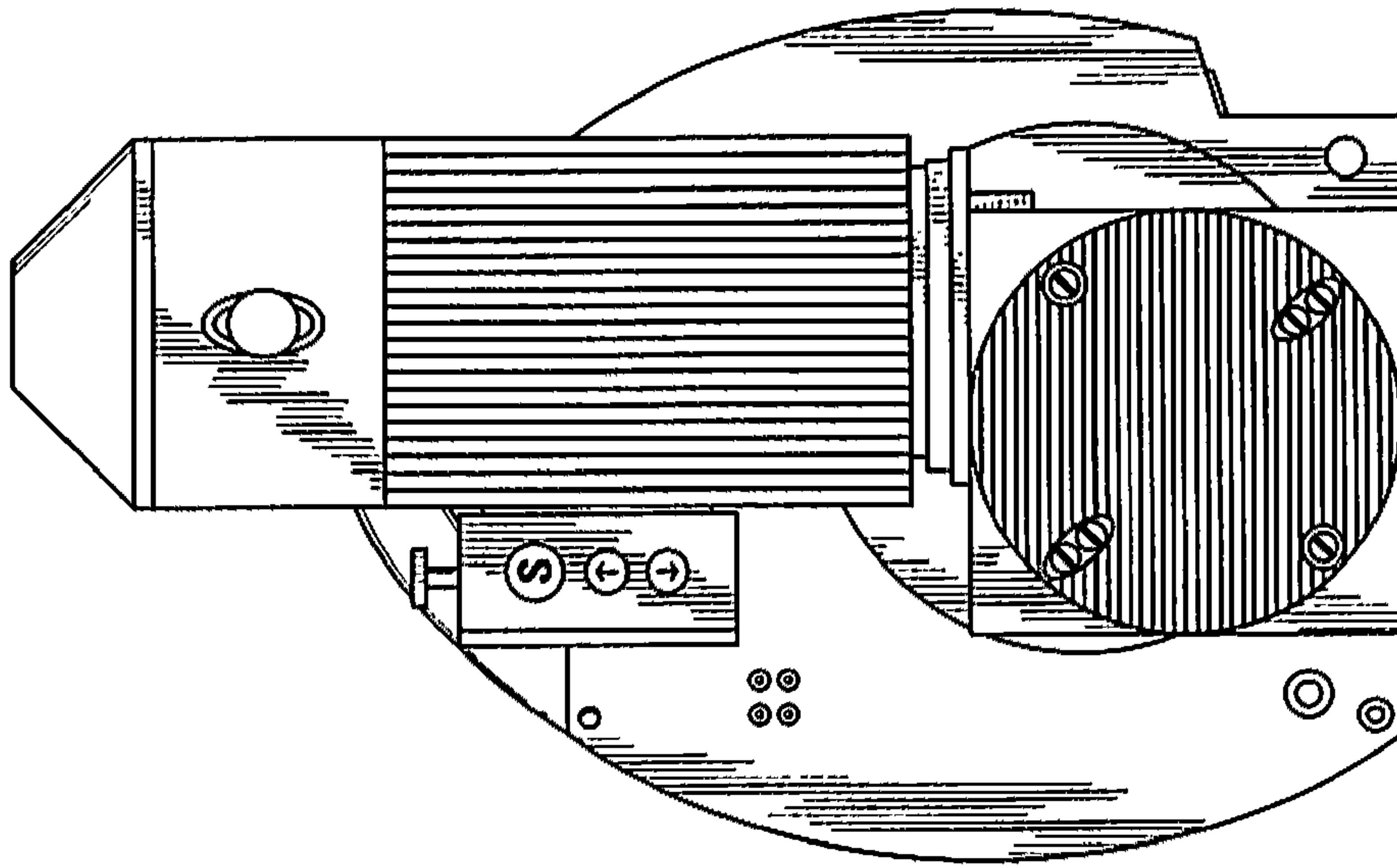


FIG. 12

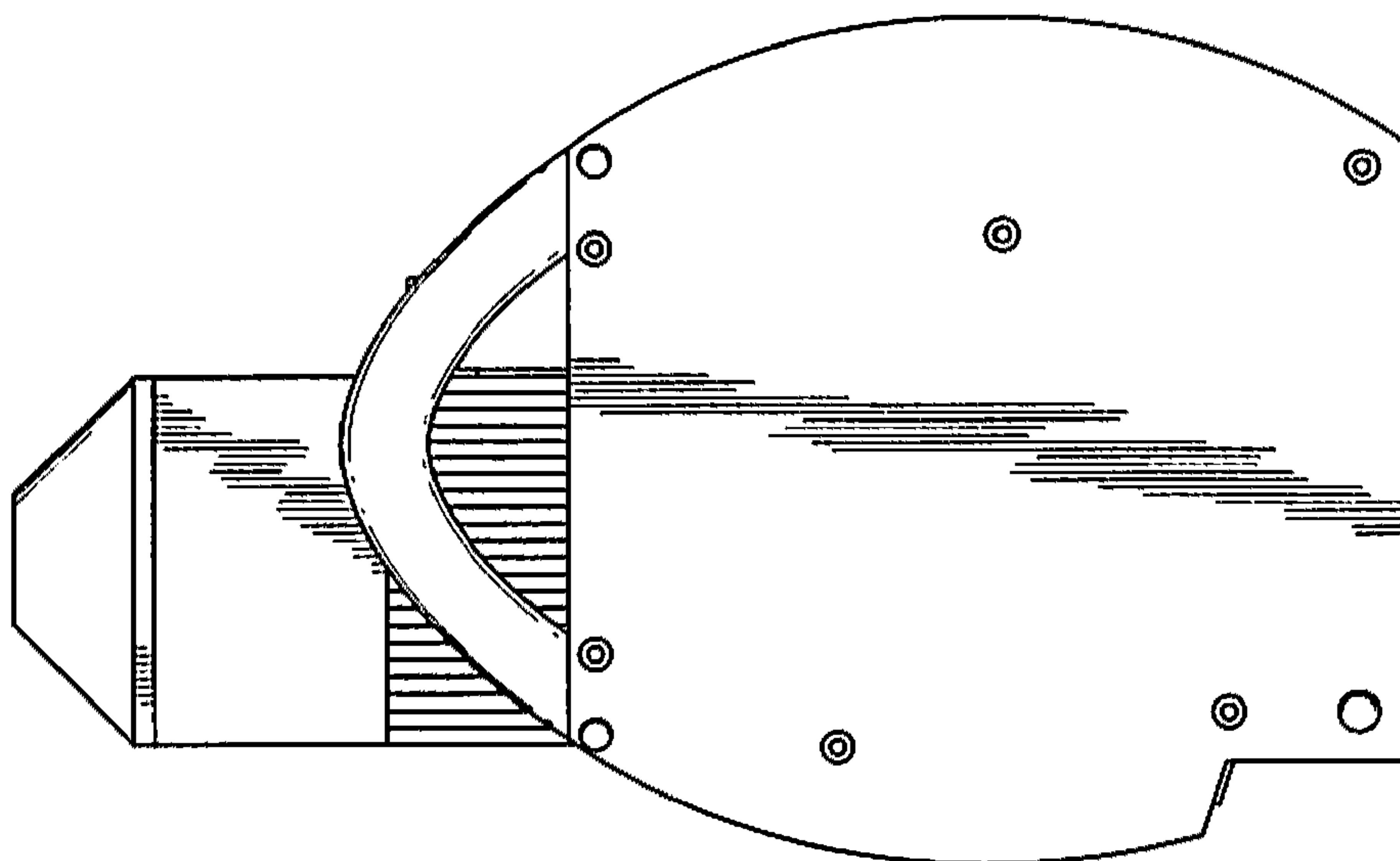


FIG. 11

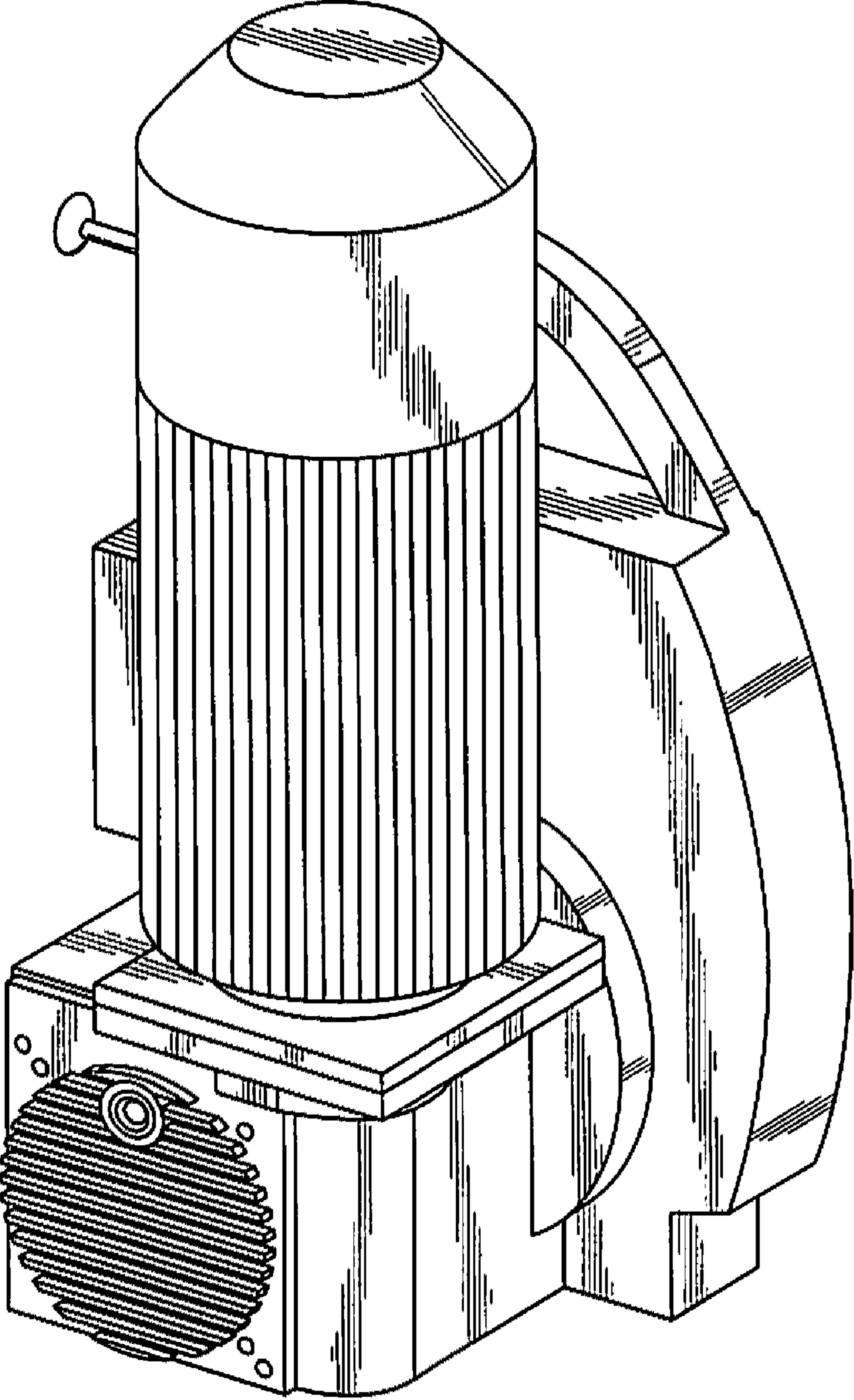


FIG. 13