



US00D662273S

(12) **United States Design Patent**
Bayley

(10) **Patent No.:** **US D662,273 S**

(45) **Date of Patent:** **** Jun. 19, 2012**

(54) **DRY-DOCK ASSEMBLY**

(75) Inventor: **Richard P. Bayley**, Maidenhead (GB)

(73) Assignee: **Sealift2 International, Ltd.**,
Maidenhead, Berkshire

(**) Term: **14 Years**

(21) Appl. No.: **29/380,683**

(22) Filed: **Dec. 9, 2010**

(51) **LOC (9) Cl.** **12-05**

(52) **U.S. Cl.** **D34/28**

(58) **Field of Classification Search** D34/28,
D34/31, 35, 32; 254/8 R, 88, 11, 84, 93 H,
254/89 R; 114/45, 44, 48, 51
See application file for complete search history.

(56) **References Cited**

U.S. PATENT DOCUMENTS

D345,843	S	*	4/1994	Collins	D34/31
D348,134	S	*	6/1994	McCanse et al.	D34/31
D364,978	S	*	12/1995	Smith	D6/431
D398,729	S	*	9/1998	Hovst0 et al.	D34/29
D416,120	S	*	11/1999	Campolito	D34/28
D430,378	S	*	8/2000	Worsoe	D34/38
6,102,369	A	*	8/2000	Monger	254/8 R
D462,822	S	*	9/2002	Carson	D34/31
D485,657	S	*	1/2004	Lewis et al.	D34/28
6,923,133	B1	*	8/2005	Ross et al.	114/45
D527,509	S	*	8/2006	Johns	D34/31
7,325,503	B1	*	2/2008	Vaughn	114/45
D618,423	S	*	6/2010	Gawrich	D34/31
D642,353	S	*	7/2011	Li	D34/28
2003/0217681	A1	*	11/2003	Funk	114/267
2005/0235893	A1	*	10/2005	Hey et al.	114/44
2009/0101054	A1	*	4/2009	Perez	114/45

* cited by examiner

Primary Examiner — Cynthia Ramirez

(74) *Attorney, Agent, or Firm* — Webb IP Law Group; Jason P. Webb; Danny Y. H. Cheng

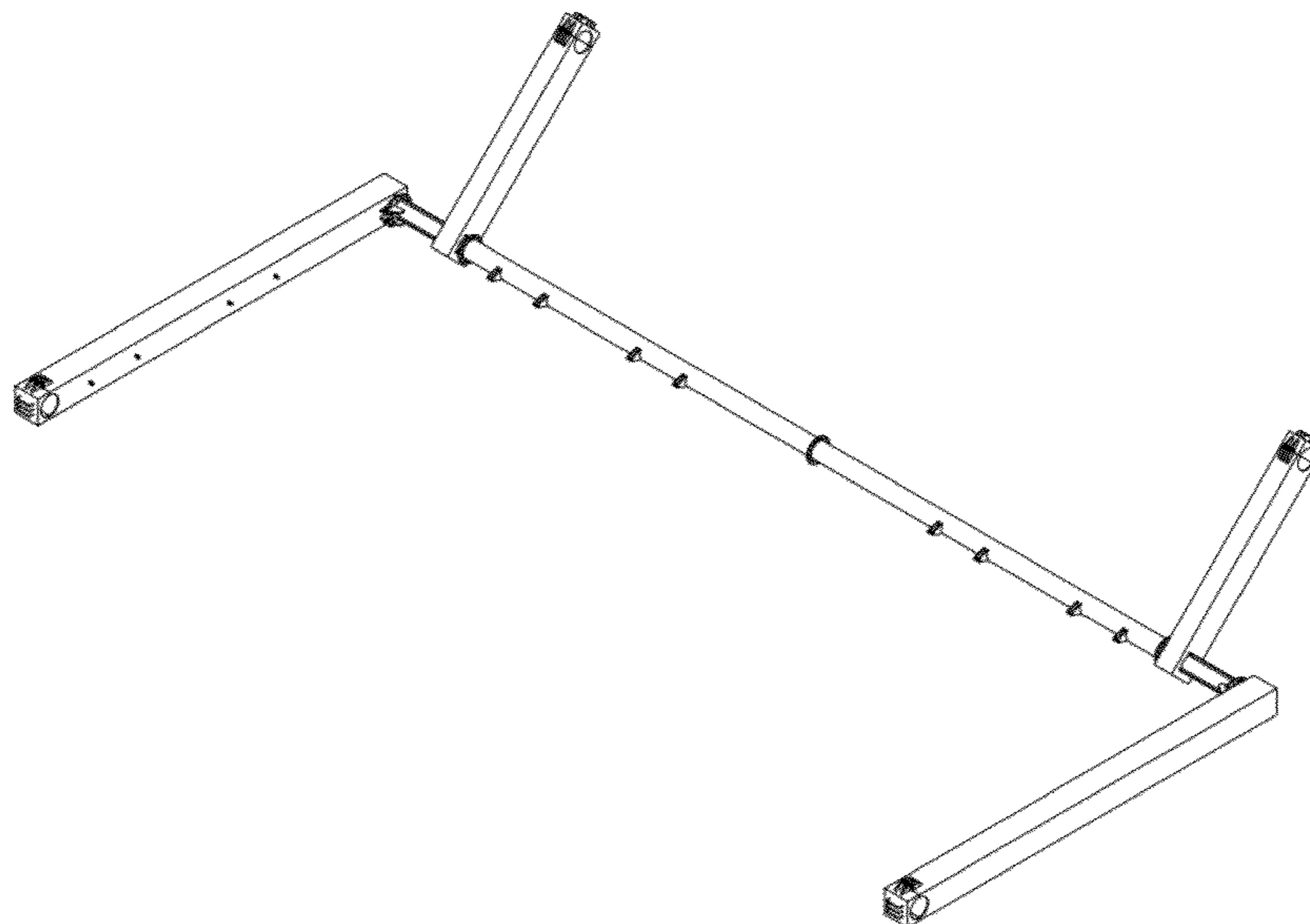
(57) **CLAIM**

The ornamental design for a dry-dock assembly, as shown and described.

DESCRIPTION

FIG. 1 is a perspective view of a lifting arm of a dry-dock assembly, showing my new design;
 FIG. 2 is a front plan view of a lifting arm of a dry-dock assembly;
 FIG. 3 is a perspective view of a lifting arm of a dry-dock assembly in a collapsed configuration;
 FIG. 4 is a front plan view of a lifting arm of a dry-dock assembly in a collapsed configuration;
 FIG. 5 is a rear view of a clamp section of a dry-dock assembly;
 FIG. 6 is a top plan view of a clamp section of a dry-dock assembly;
 FIG. 7 is a side elevational view of a clamp section of a dry-dock assembly;
 FIG. 8 is a top plan view of a section of a lifting arm of a dry-dock assembly;
 FIG. 9 is a side elevational view of a section of a lifting arm of a dry-dock assembly;
 FIG. 10 is an end view of a section of a lifting arm of a dry-dock assembly;
 FIG. 11 is a top plan view of a section of a lifting arm of a dry-dock assembly;
 FIG. 12 is a side elevational view of a section of a lifting arm of a dry-dock assembly; and,
 FIG. 13 is an end view of a section of a lifting arm of a dry-dock assembly.
 The elements of the dry-dock assembly are shown separately in FIGS. 5 through 13 for convenience of illustration.

1 Claim, 7 Drawing Sheets



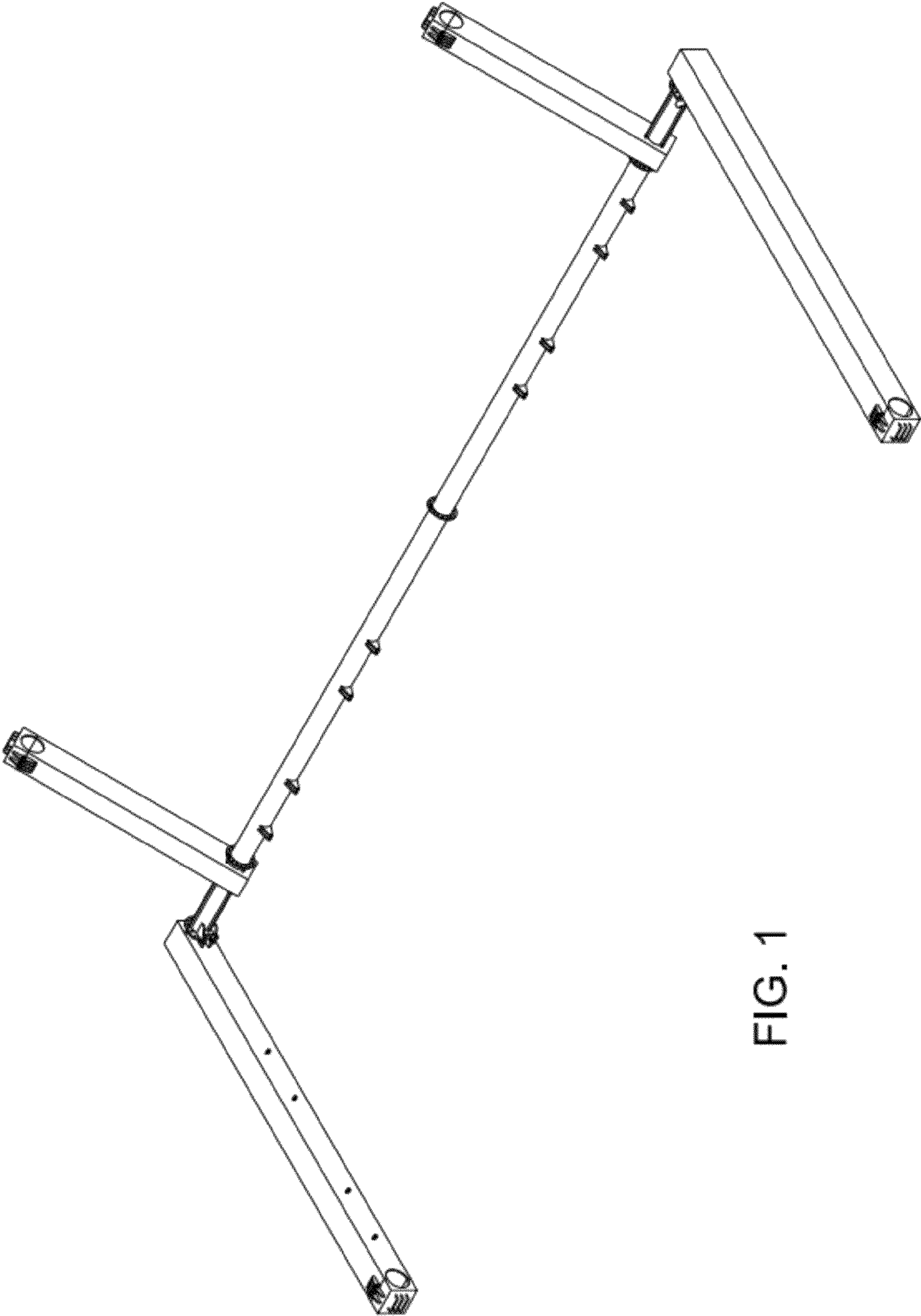


FIG. 1

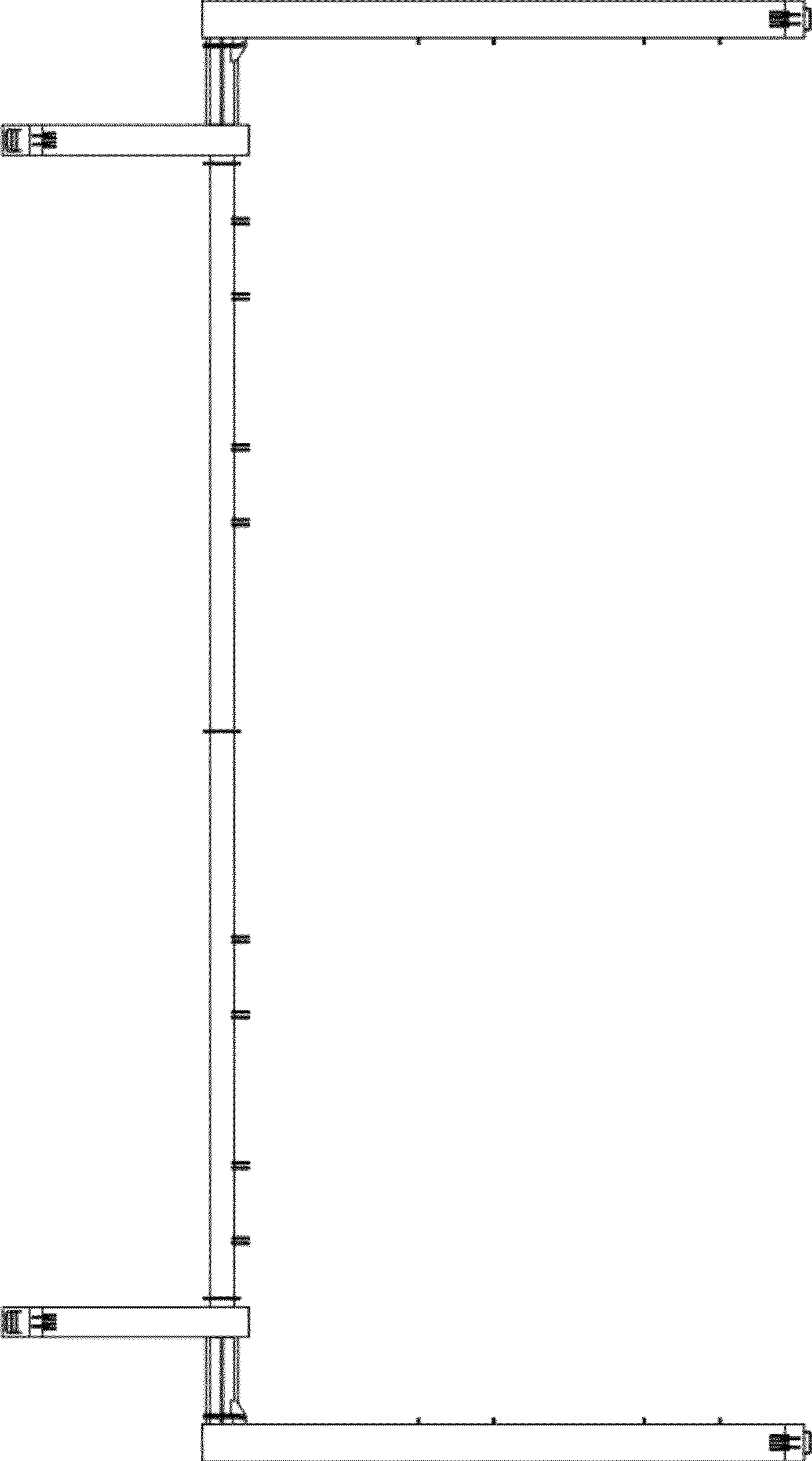


FIG. 2

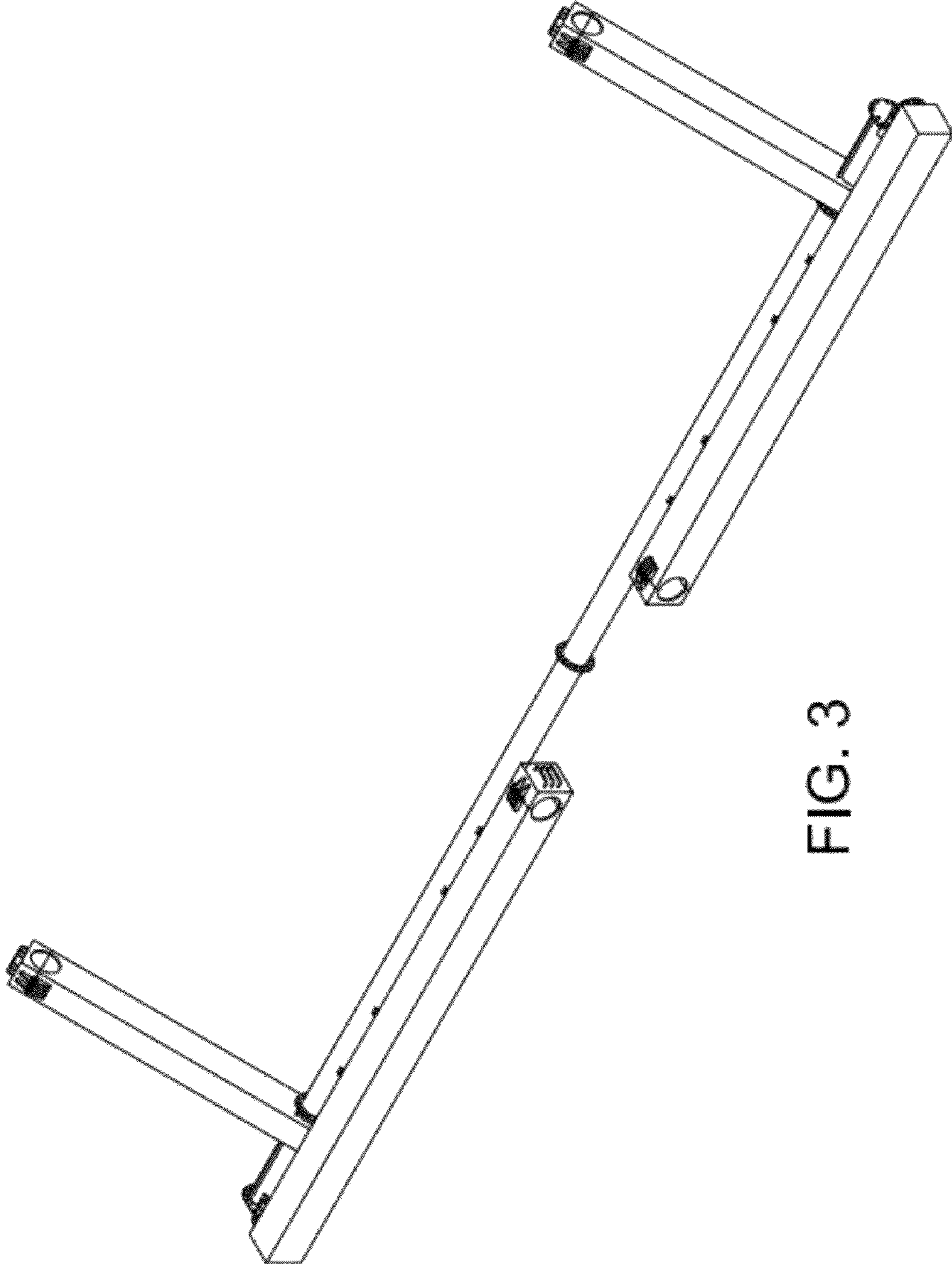


FIG. 3

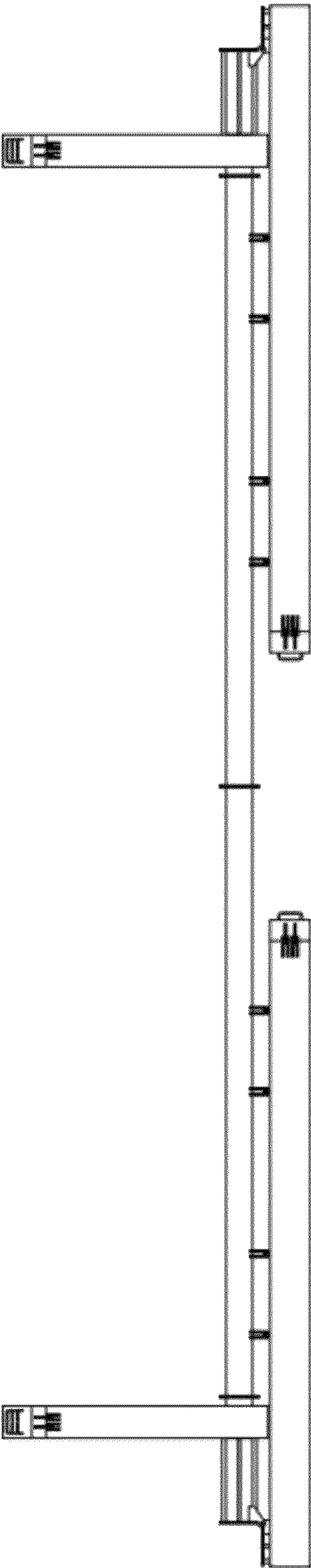


FIG. 4

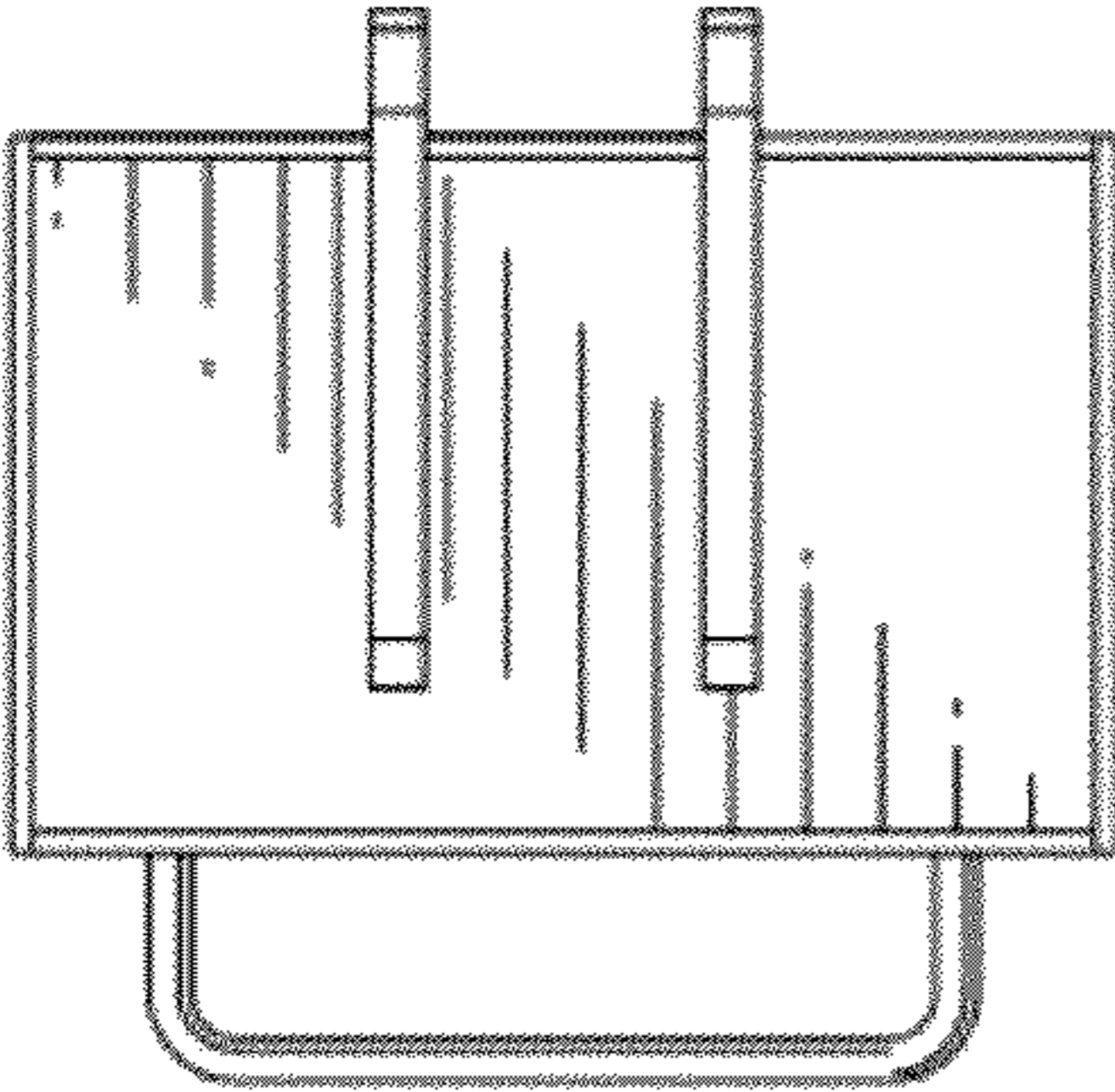


FIG. 6

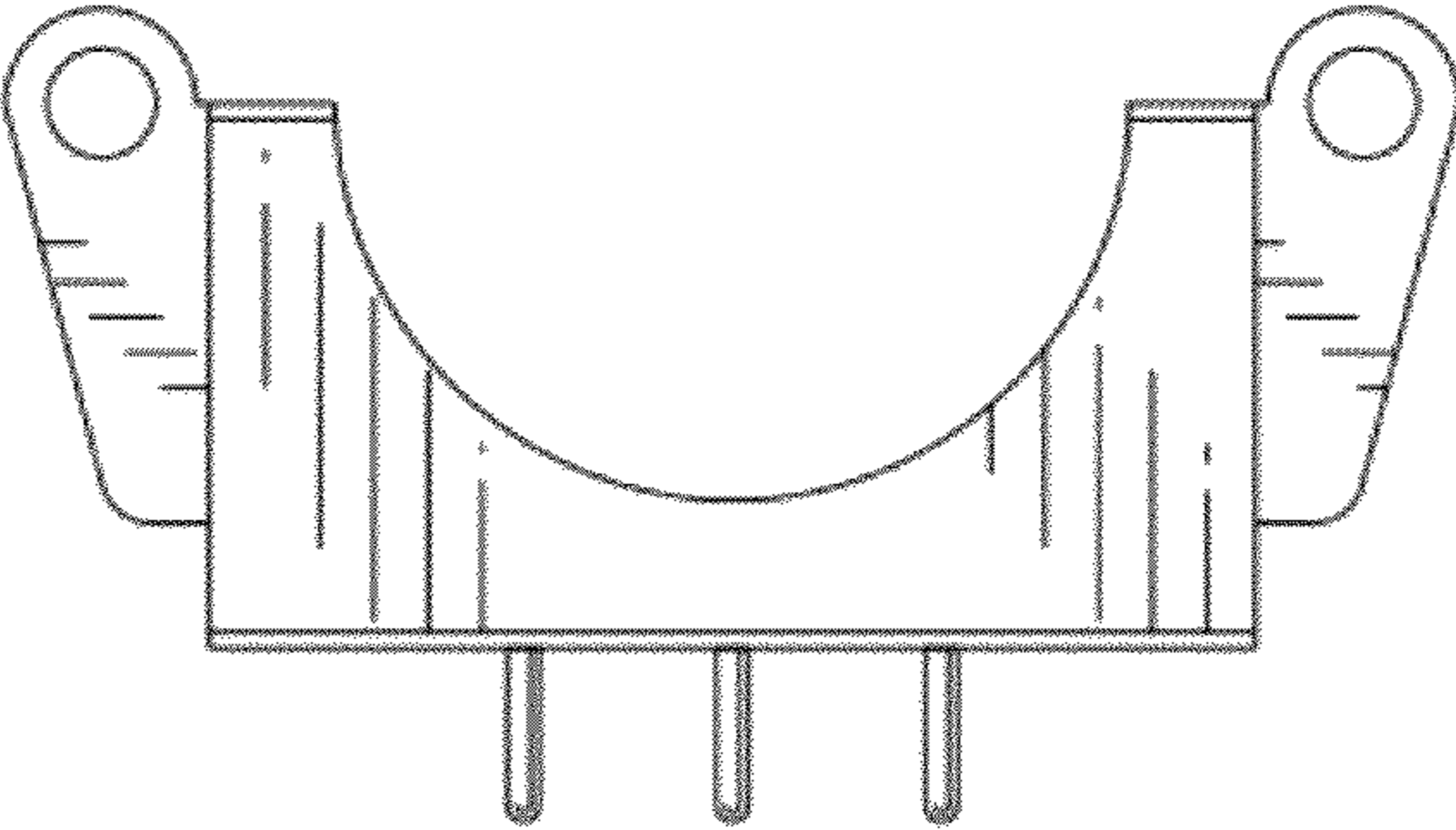


FIG. 7

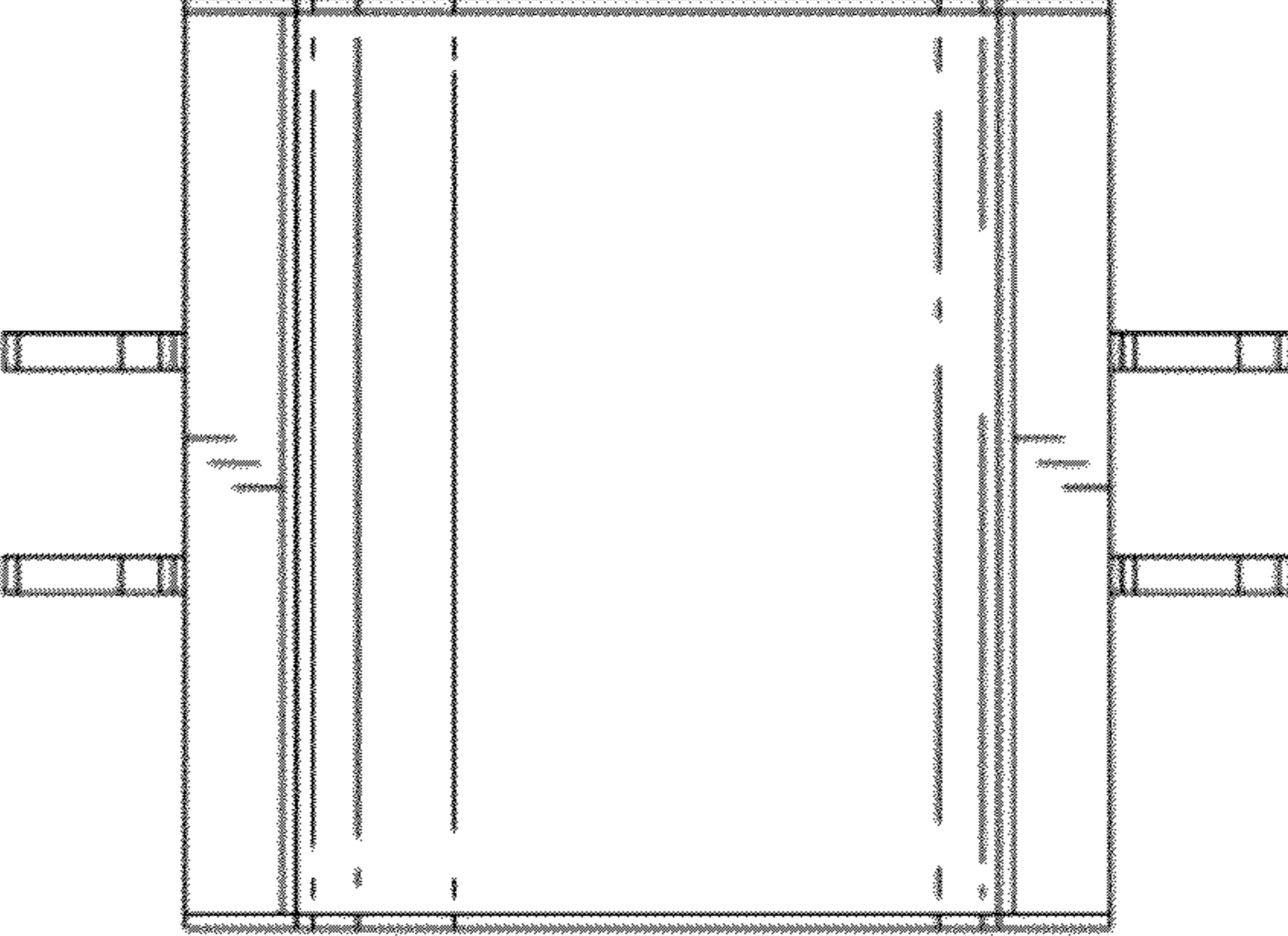


FIG. 5

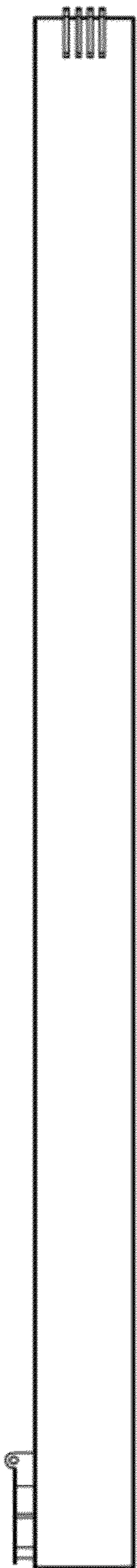


FIG. 8

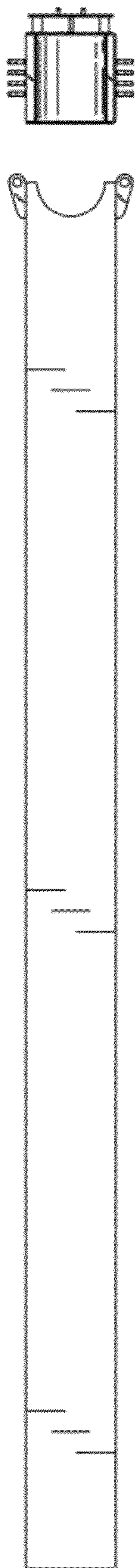


FIG. 9

FIG. 10

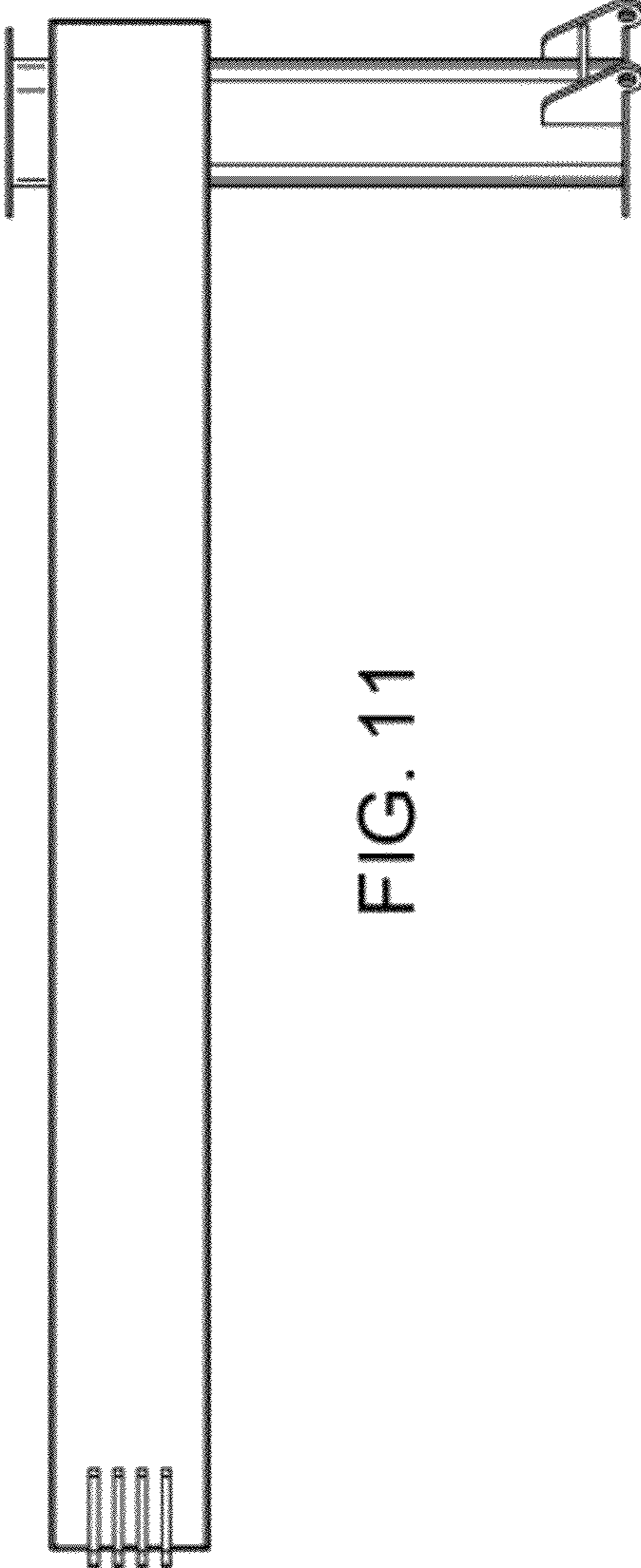


FIG. 11

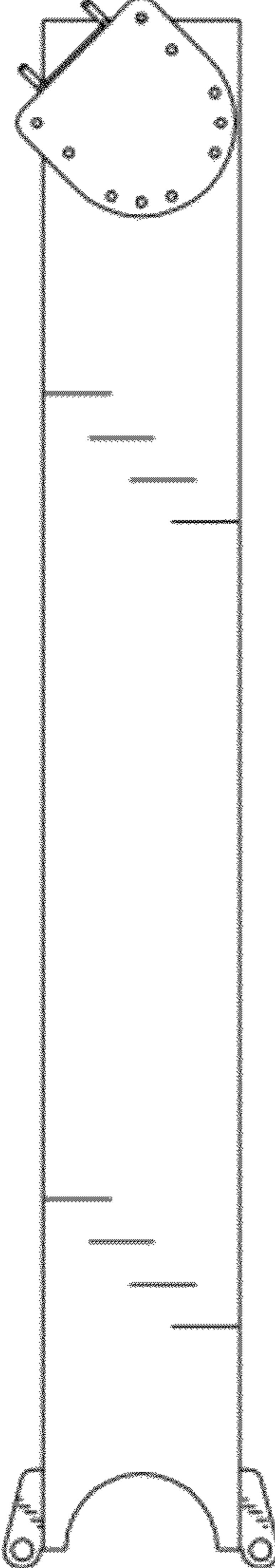


FIG. 12

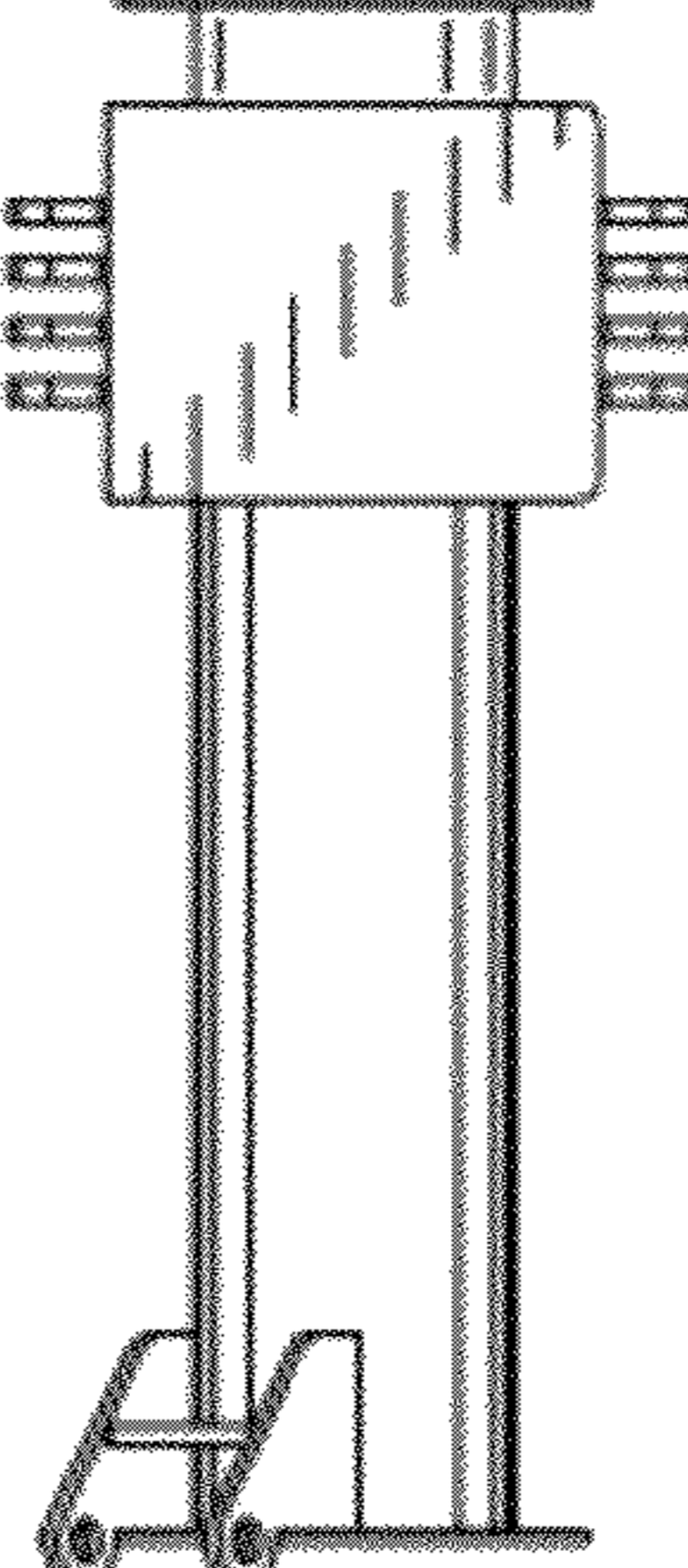


FIG. 13