

US00D662272S

(12) **United States Design Patent**
Conrad et al.

(10) **Patent No.:** **US D662,272 S**
(45) **Date of Patent:** **** Jun. 19, 2012**

(54) **VACUUM CLEANER**

(75) Inventors: **Wayne Ernest Conrad**, Hampton (CA);
Nina Conrad, Hampton (CA); **Matthew**
McClanaghan, Oshawa (CA)

(73) Assignee: **G.B.D Corp.**, Nassau (BS)

(**) Term: **14 Years**

(21) Appl. No.: **29/380,645**

(22) Filed: **Dec. 9, 2010**

(51) **LOC (9) Cl.** **15-05**

(52) **U.S. Cl.** **D32/31**

(58) **Field of Classification Search** D32/22,
D32/31, 34; 55/337, 429, 459.1, DIG. 2,
55/DIG. 3; 15/386, 320, 350, 353, 361, 347,
15/410-411, 327.1, 329, 383, 398, 366, 182-183,
15/179, 344, 374, 392, 339, 402, 415.1, 419,
15/310, 246.2, 4.52; 119/628

See application file for complete search history.

(56) **References Cited**

U.S. PATENT DOCUMENTS

D462,813	S	*	9/2002	Nakano et al.	D32/22
D510,465	S	*	10/2005	Takahashi et al.	D32/22
D521,699	S	*	5/2006	Greene et al.	D32/22
7,152,273	B2	*	12/2006	Courtney	15/320
RE39,473	E	*	1/2007	Salo et al.	15/353
D535,070	S	*	1/2007	Shin	D32/22
D537,584	S	*	2/2007	Greene et al.	D32/22
D553,313	S	*	10/2007	Parr et al.	D32/22

D575,014	S	*	8/2008	Luo	D32/22
D608,064	S	*	1/2010	Conrad et al.	D32/22
D608,962	S	*	1/2010	Reese et al.	D32/22
D609,418	S	*	2/2010	Santiago et al.	D32/31
D611,210	S	*	3/2010	Conrad et al.	D32/31
7,836,546	B2	*	11/2010	Yoo et al.	15/352
D632,036	S	*	2/2011	McNeil et al.	D32/31
D632,037	S	*	2/2011	Carr et al.	D32/31
2005/0223519	A1	*	10/2005	Greene et al.	15/353
2008/0178420	A1		7/2008	Conrad		
2011/0023262	A1	*	2/2011	Conrad		

* cited by examiner

Primary Examiner — Ruth McInroy

(74) *Attorney, Agent, or Firm* — Bereskin & Parr
LLP/S.E.N.C.R.L., s.r.l.; Philip C. Mendes da Costa

(57) **CLAIM**

We claim the ornamental design for a vacuum cleaner, as shown and described.

DESCRIPTION

FIG. 1 is a front and right side perspective view of a vacuum cleaner showing our new design;
FIG. 2 is a right side elevation view thereof;
FIG. 3 is a rear elevation view thereof;
FIG. 4 is a left side elevation view thereof;
FIG. 5 is a front elevation view thereof;
FIG. 6 is a top plan view thereof; and,
FIG. 7 is a bottom plan view thereof.

The details shown in broken lines form no part of the claimed design. The pipe shown broken away is understood to represent indeterminate length.

1 Claim, 6 Drawing Sheets

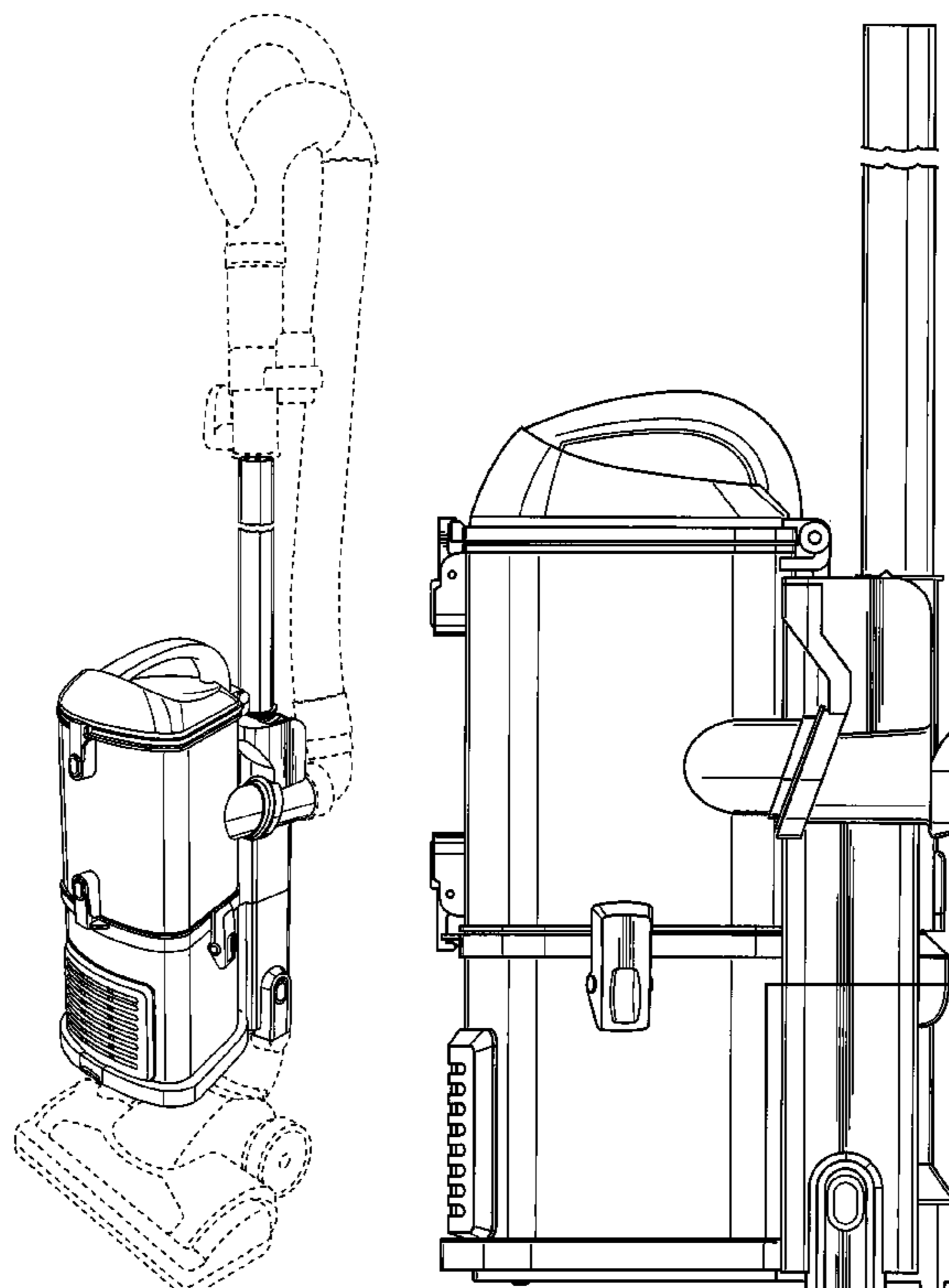
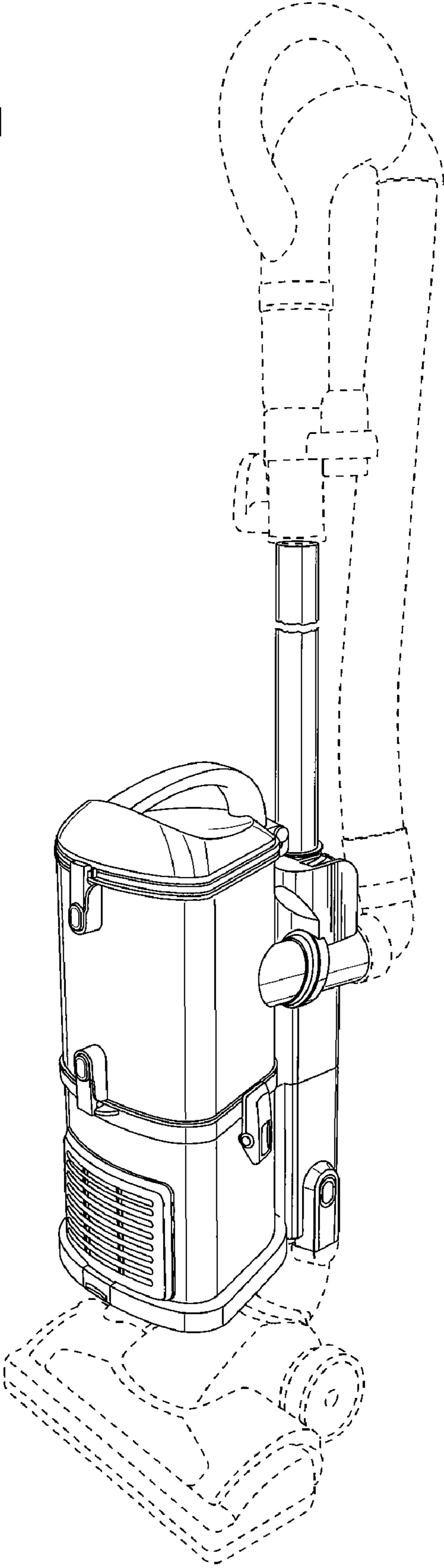


Fig. 1



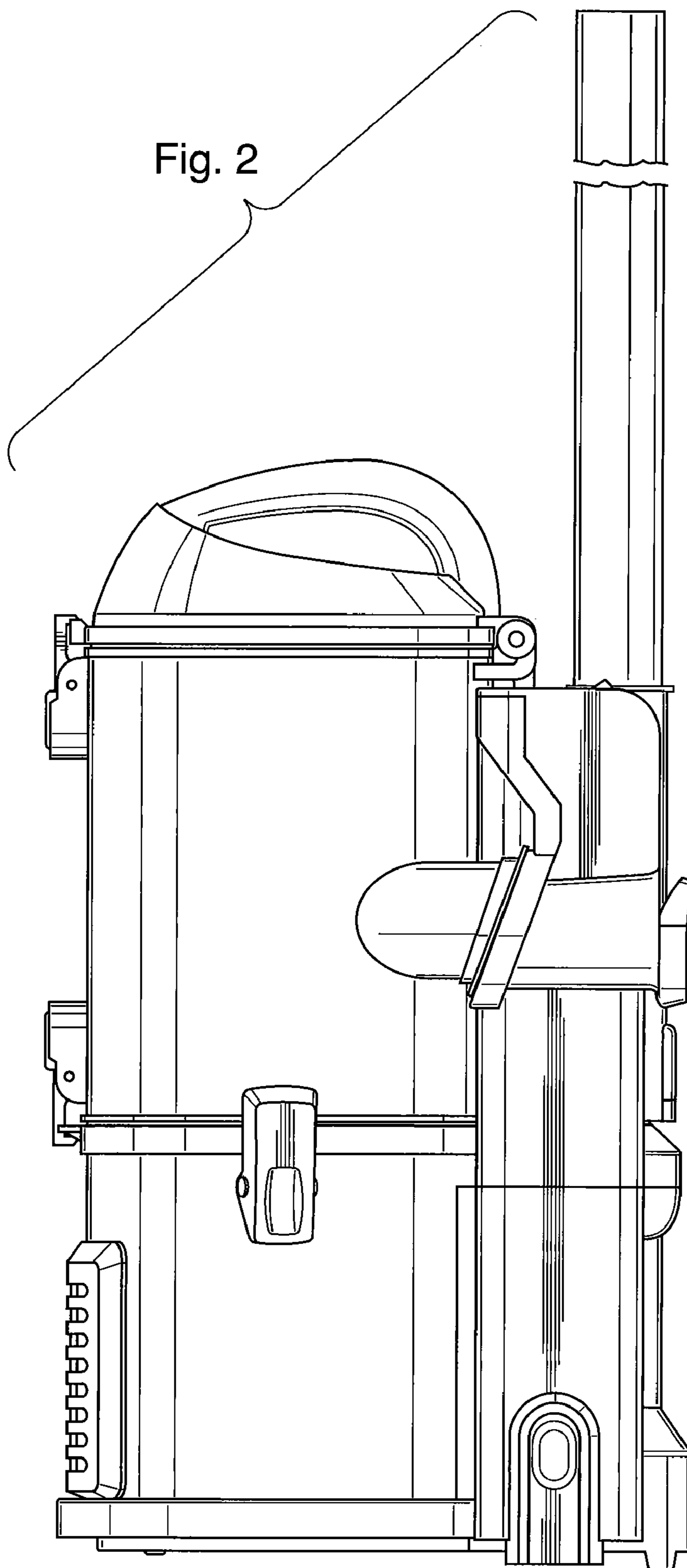
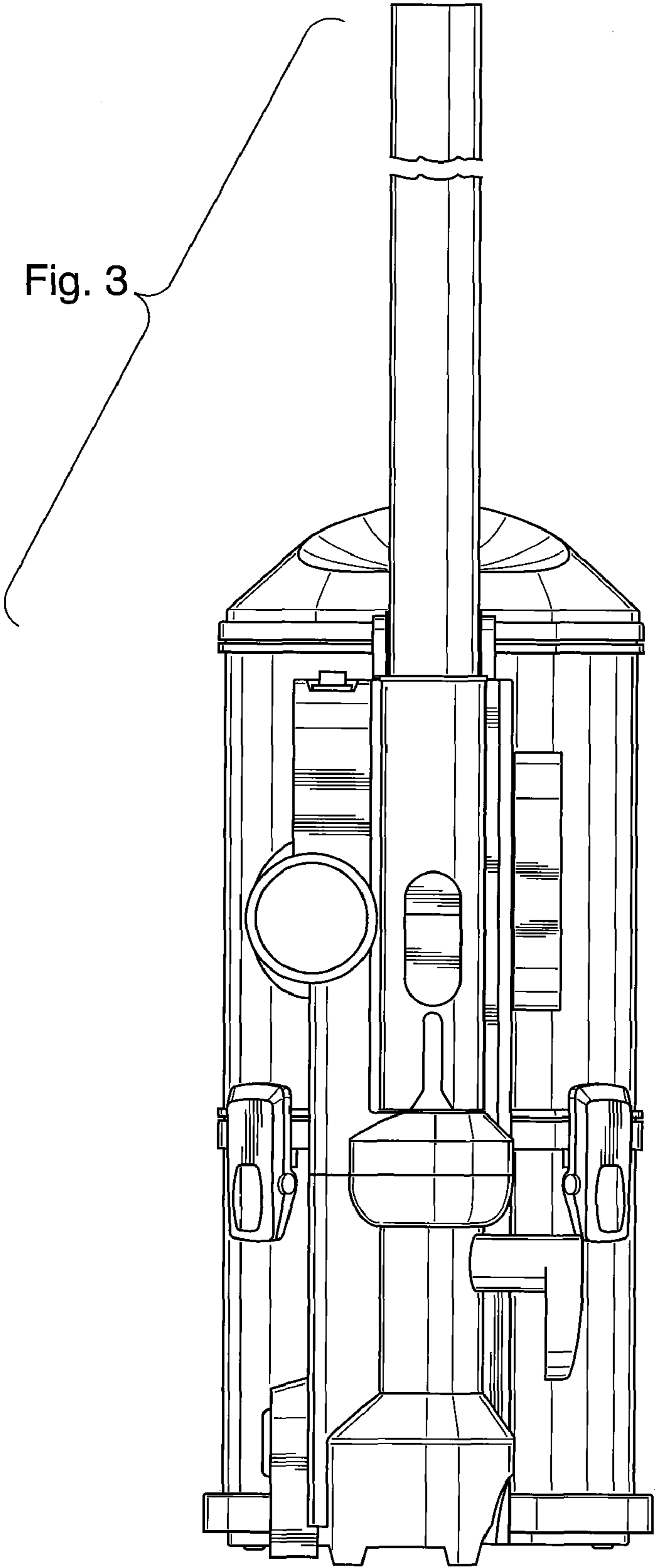


Fig. 3



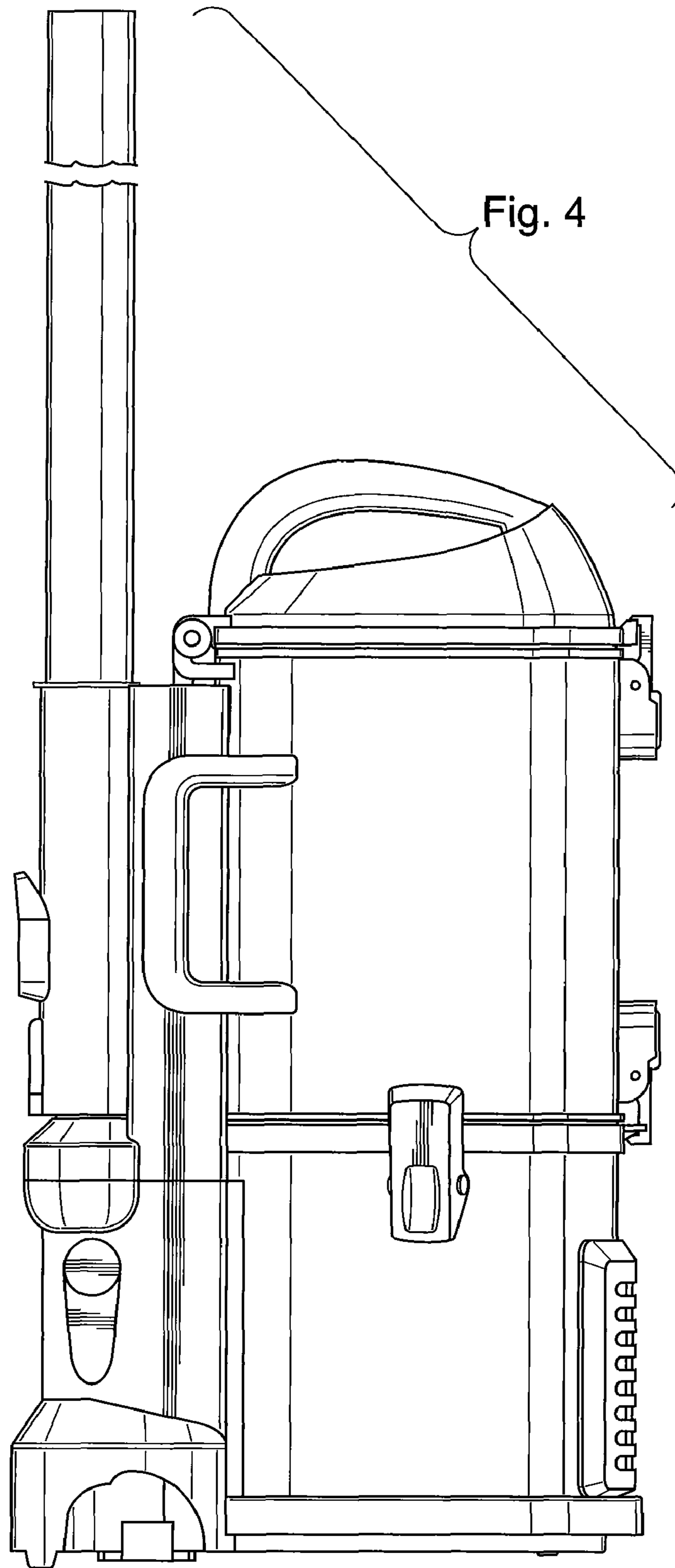


Fig. 5

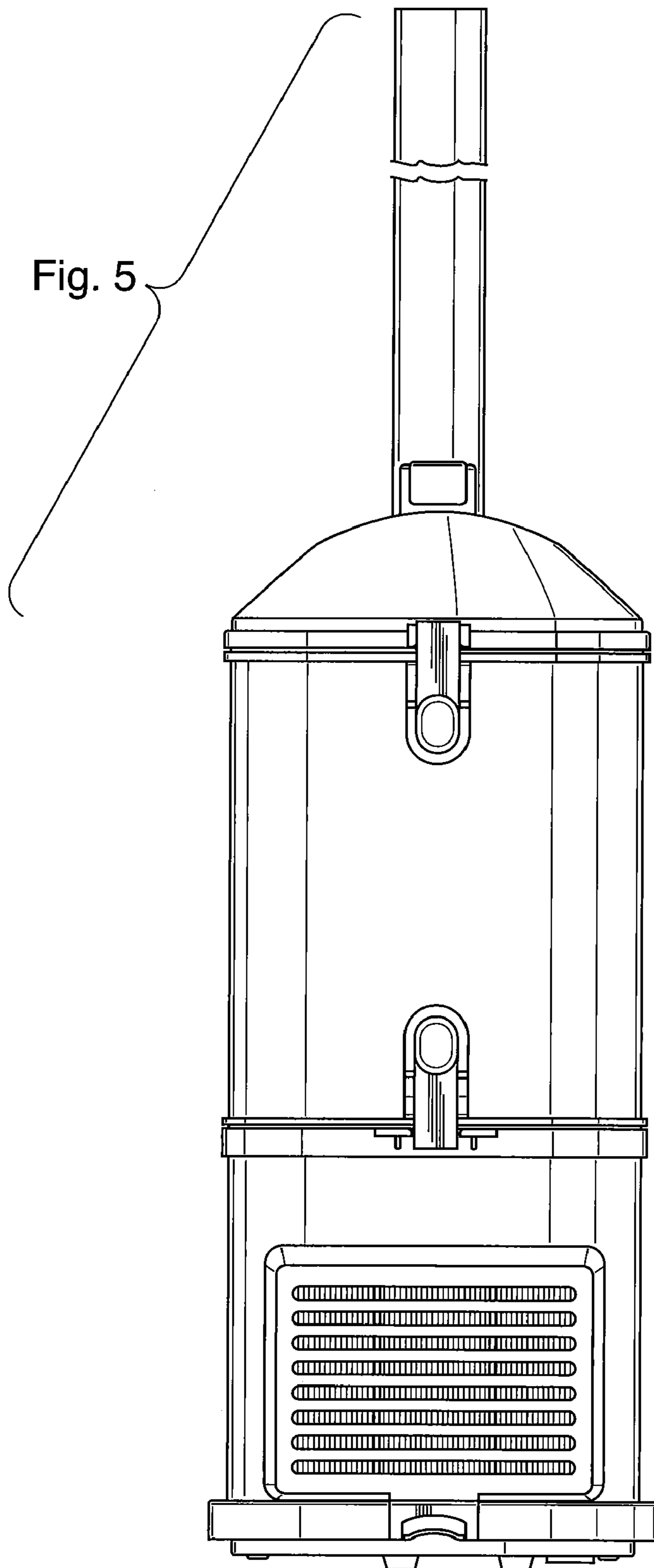


Fig. 6

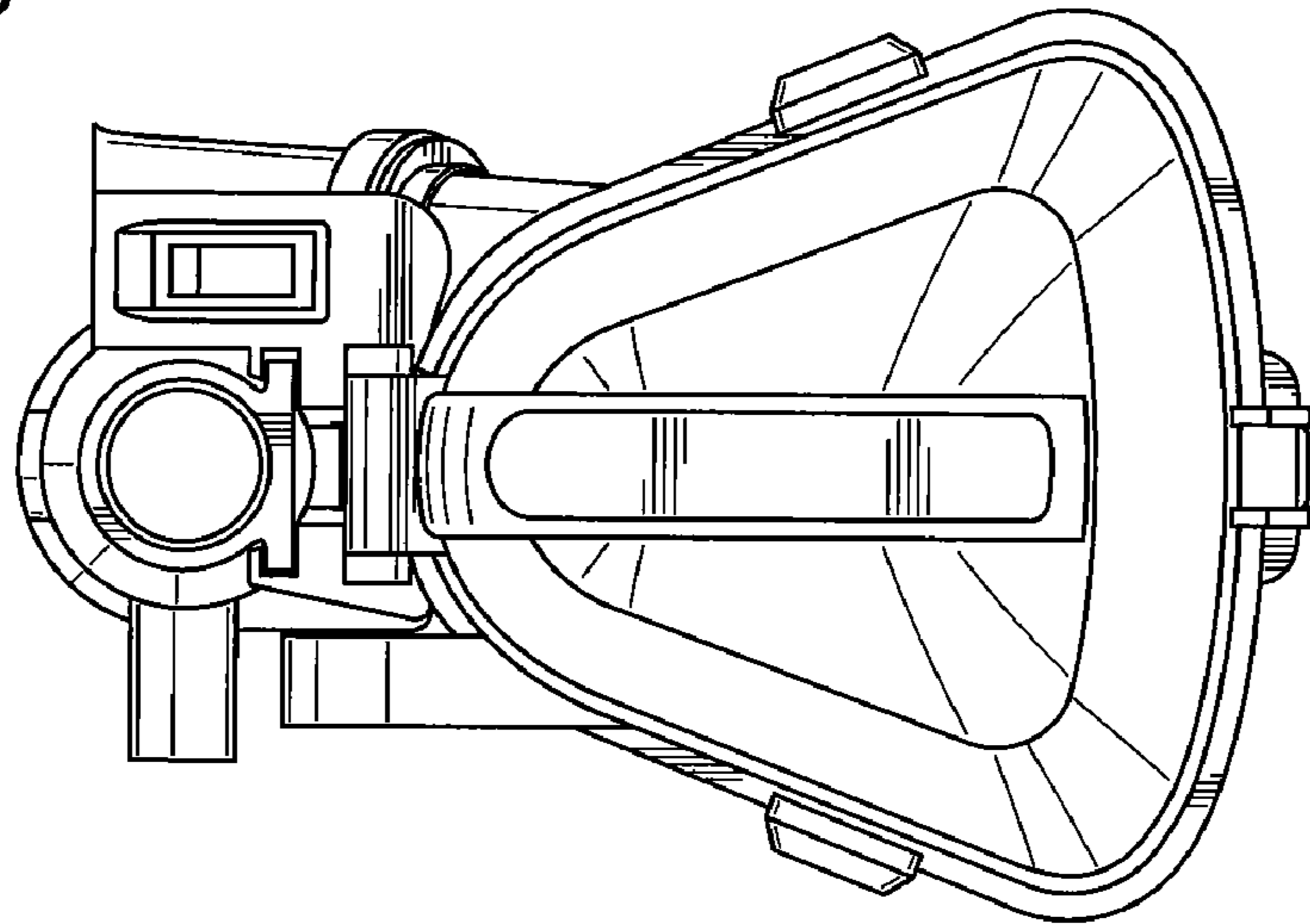


Fig. 7

