



US00D662271S

(12) **United States Design Patent**  
**Conrad et al.**

(10) **Patent No.:** **US D662,271 S**  
(45) **Date of Patent:** **\*\* Jun. 19, 2012**

(54) **VACUUM CLEANER**

(75) Inventors: **Wayne Ernest Conrad**, Hampton (CA);  
**Nina Conrad**, Hampton (CA); **Matthew**  
**McClanaghan**, Oshawa (CA)

(73) Assignee: **G.B.D. Corp.**, Nassau (BM)

(\*\*) Term: **14 Years**

(21) Appl. No.: **29/380,644**

(22) Filed: **Dec. 9, 2010**

(51) **LOC (9) Cl.** ..... **15-05**

(52) **U.S. Cl.** ..... **D32/31**

(58) **Field of Classification Search** ..... D32/22,  
D32/31, 34; 55/337, 429, 459.1, DIG. 2,  
55/DIG. 3; 15/386, 320, 350, 353, 361, 347,  
15/410-411, 327.1, 329, 383, 398, 366, 182-183,  
15/179, 344, 374, 392, 339, 402, 415.1, 419,  
15/310, 4.52; 119/628

See application file for complete search history.

(56) **References Cited**

**U.S. PATENT DOCUMENTS**

D462,813	S	*	9/2002	Nakano et al.	.....	D32/22
D510,465	S	*	10/2005	Takahashi et al.	.....	D32/22
D521,699	S	*	5/2006	Greene et al.	.....	D32/22
7,152,273	B2	*	12/2006	Courtney	.....	15/320
RE39,473	E	*	1/2007	Salo et al.	.....	15/353
D535,070	S	*	1/2007	Shin	.....	D32/22
D537,584	S	*	2/2007	Greene et al.	.....	D32/22

D553,313	S	*	10/2007	Parr et al.	.....	D32/22
D575,014	S	*	8/2008	Luo	.....	D32/22
D608,064	S	*	1/2010	Conrad et al.	.....	D32/22
D608,962	S	*	1/2010	Reese et al.	.....	D32/22
D609,418	S	*	2/2010	Santiago et al.	.....	D32/31
D611,210	S	*	3/2010	Conrad et al.	.....	D32/31
7,836,546	B2	*	11/2010	Yoo et al.	.....	15/352
D632,036	S	*	2/2011	McNeil et al.	.....	D32/31
D632,037	S	*	2/2011	Carr et al.	.....	D32/31
2005/0223519	A1	*	10/2005	Greene et al.	.....	15/353
2008/0178420	A1		7/2008	Conrad		
2011/0023262	A1	*	2/2011	Conrad et al.		

\* cited by examiner

*Primary Examiner* — Ruth McInroy

(74) *Attorney, Agent, or Firm* — Bereskin & Parr  
LLP/S.E.N.C.R.L., s.r.l.; Philip C. Mendes da Costa

(57) **CLAIM**

We claim the ornamental design for a vacuum cleaner, as shown and described.

**DESCRIPTION**

FIG. 1 is a front and right side perspective view of a vacuum cleaner showing our new design;

FIG. 2 is a front elevation view thereof;

FIG. 3 is a left side elevation view thereof;

FIG. 4 is a rear elevation view thereof;

FIG. 5 is a right side elevation view thereof;

FIG. 6 is a top plan view thereof; and,

FIG. 7 is a bottom plan view thereof.

The details shown in broken lines form no part of the claimed design.

**1 Claim, 6 Drawing Sheets**

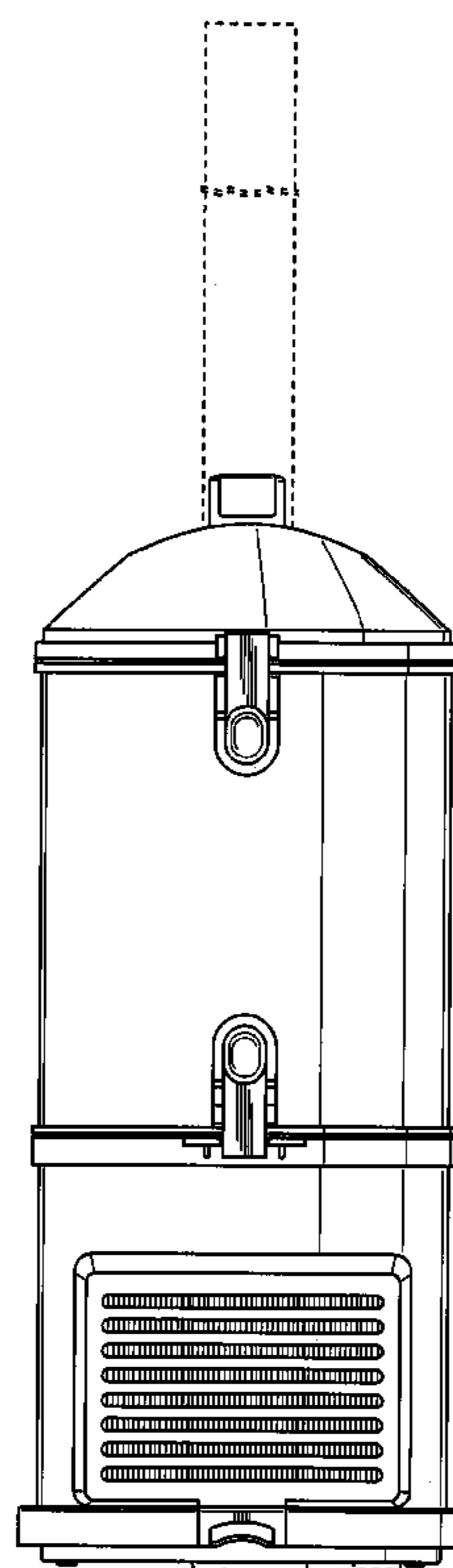
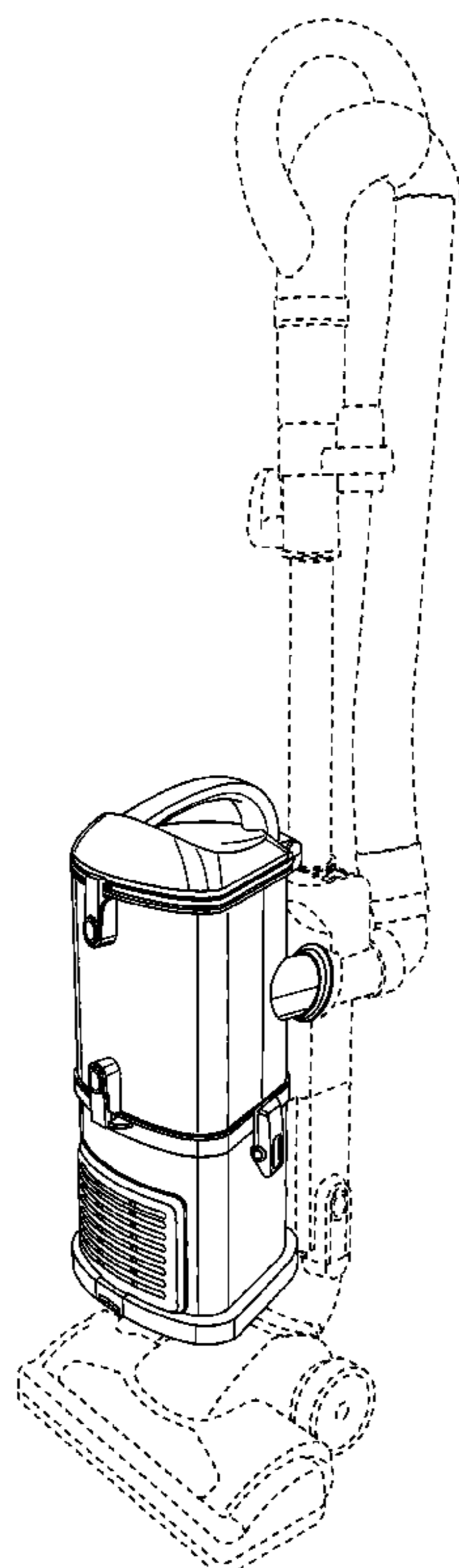


Fig. 1

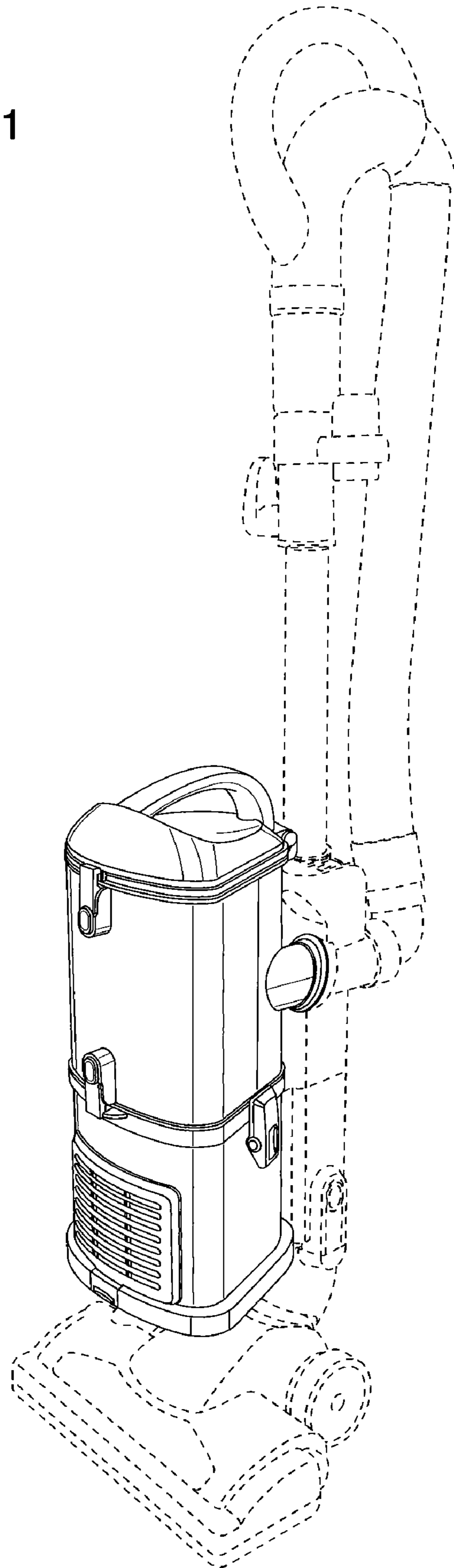


Fig. 2

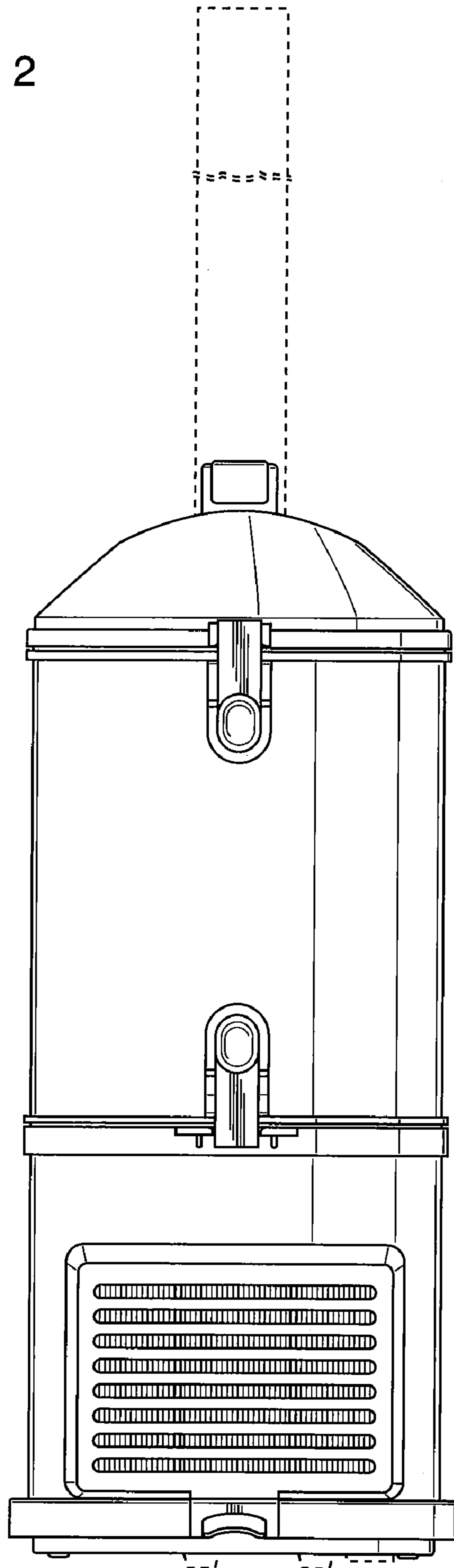


Fig. 3

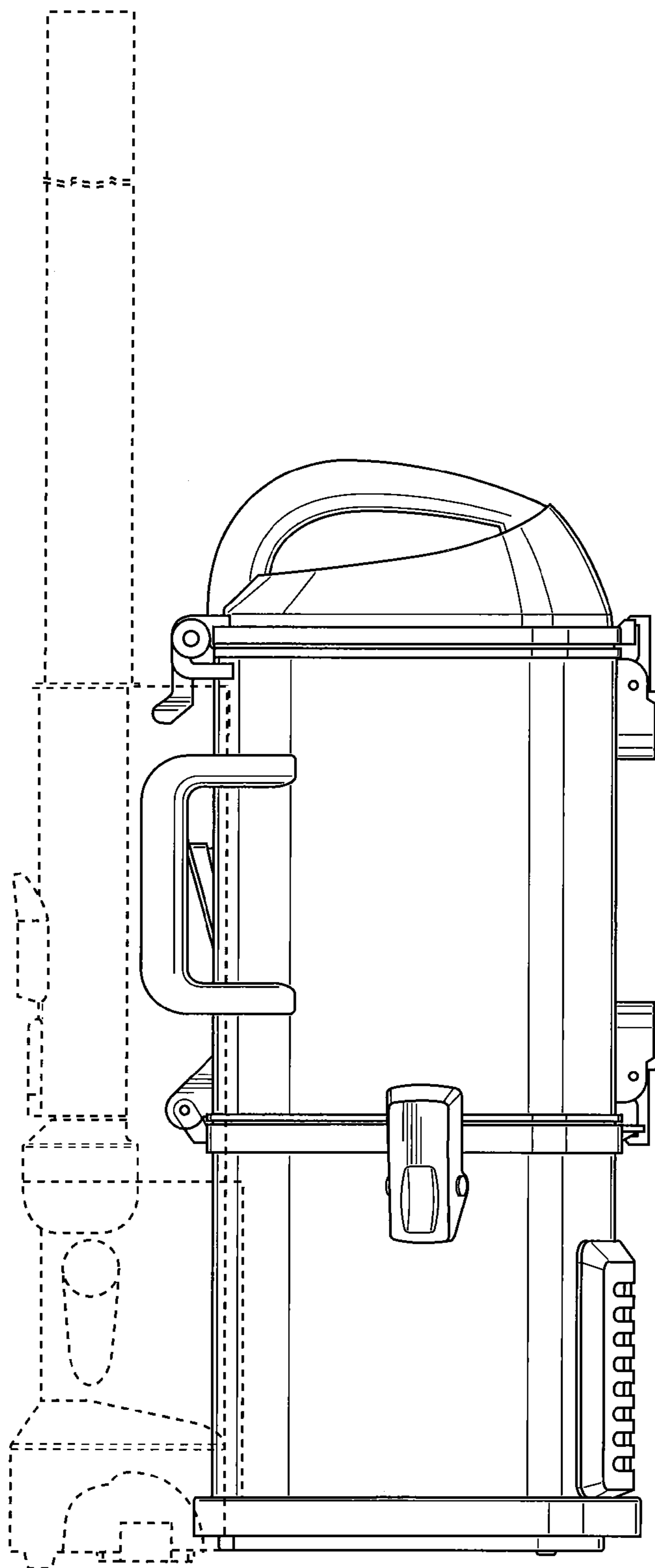


Fig. 4

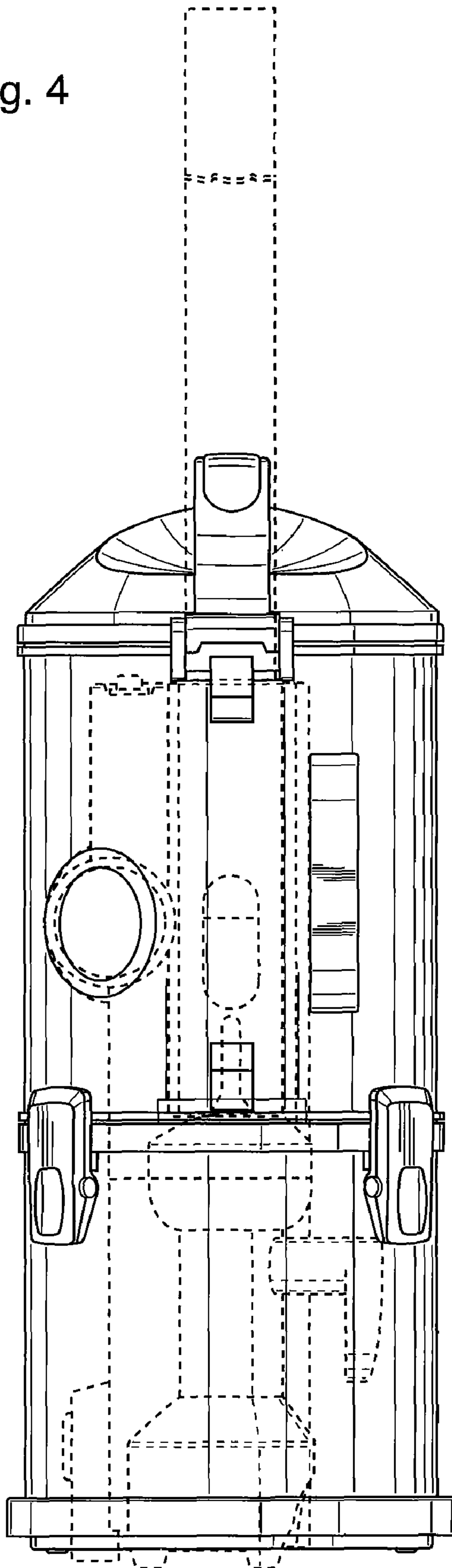


Fig. 5

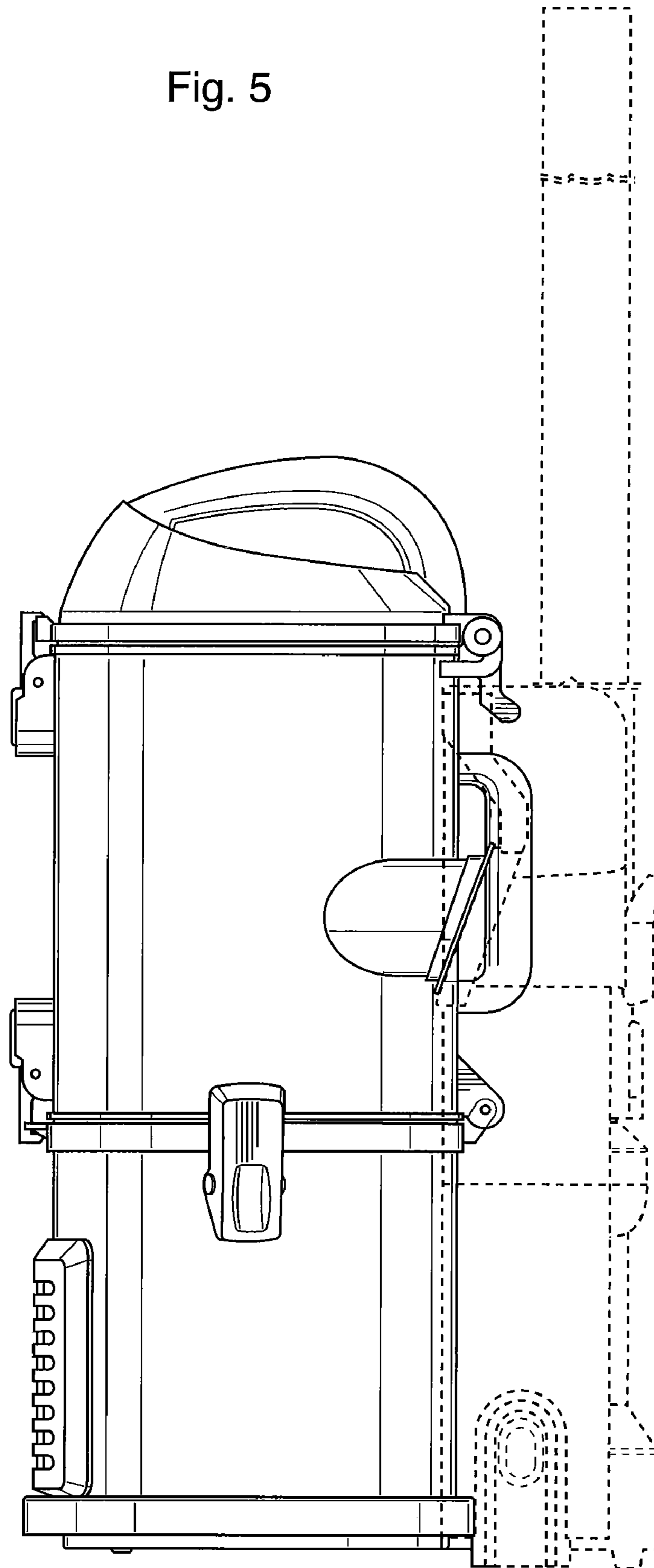


Fig. 6

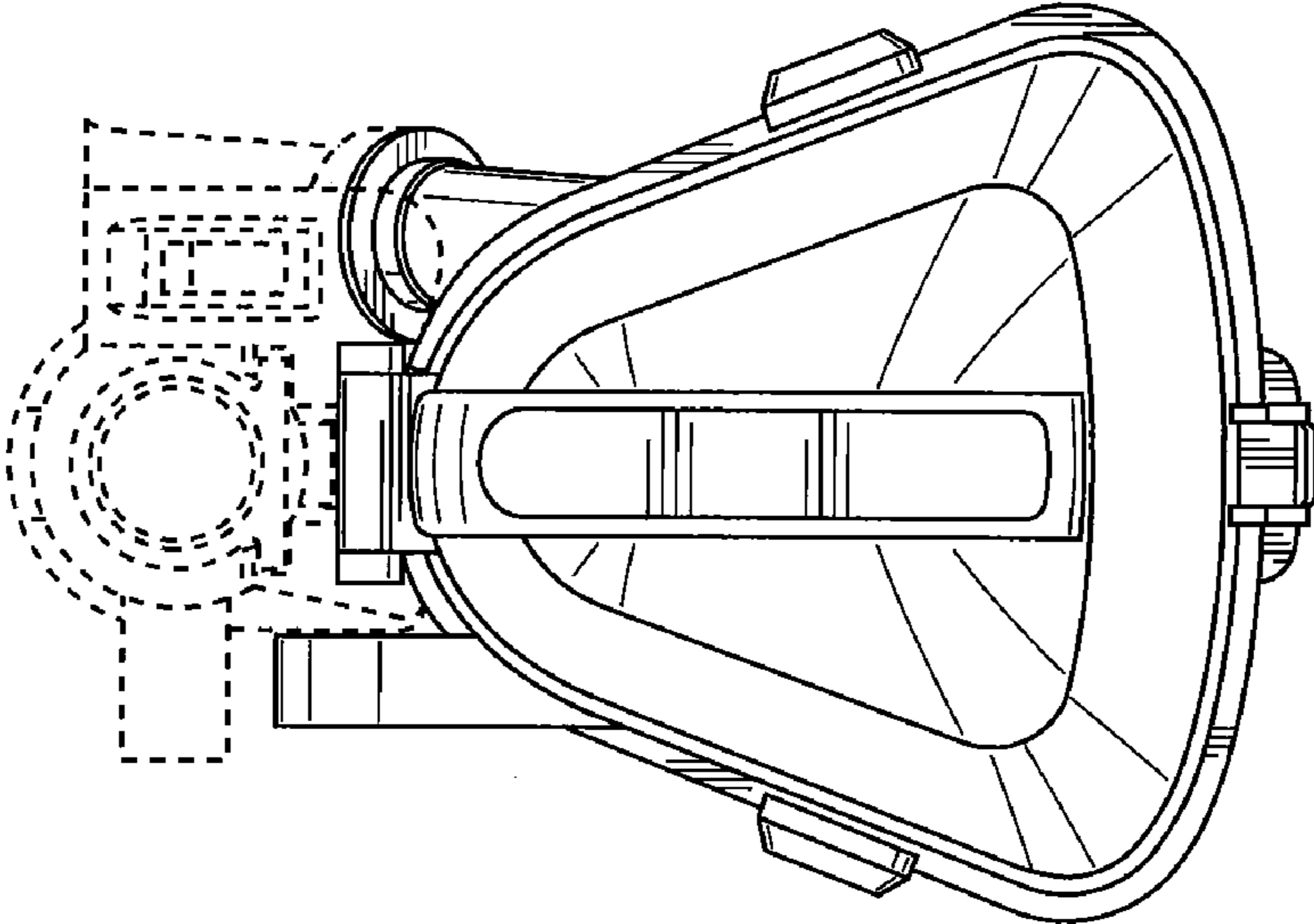


Fig. 7

