

US00D662268S

(12) **United States Design Patent**
Pearcey

(10) **Patent No.:** **US D662,268 S**
(45) **Date of Patent:** **** Jun. 19, 2012**

(54) **TELESCOPIC ANIMAL URINE COLLECTOR**

(76) Inventor: **Don W. Pearcey**, Hamilton (CA)

(**) Term: **14 Years**

(21) Appl. No.: **29/387,797**

(22) Filed: **Mar. 18, 2011**

(51) **LOC (9) Cl.** **30-99**

(52) **U.S. Cl.** **D30/162**

(58) **Field of Classification Search** D30/161,
D30/162, 199; D24/108, 121, 122, 124;
220/908, 908.1, 908.2; 294/1.3, 1.4, 1.5,
294/49, 55; 119/867, 868, 869, 161, 163,
119/165, 166, 171, 174

See application file for complete search history.

(56) **References Cited**

U.S. PATENT DOCUMENTS

3,777,708	A *	12/1973	Vogt	294/1.5
3,804,448	A *	4/1974	Schmieler	294/1.4
3,868,135	A *	2/1975	Magliaro	294/1.5
3,872,831	A *	3/1975	Cassidy	294/1.5
3,937,509	A *	2/1976	Hufnagel	294/1.4
3,977,422	A *	8/1976	Cabaluna	294/1.4
4,103,953	A *	8/1978	Lachance	294/1.4
4,143,899	A *	3/1979	Wetherall et al.	294/50.9
D262,686	S *	1/1982	Anderson	D30/162
D263,512	S *	3/1982	Kawada	D30/162
4,349,224	A *	9/1982	Shiozaki	294/1.4
4,641,873	A *	2/1987	Nurnberger	294/1.4
D304,248	S *	10/1989	Elrod	D30/162
D316,315	S *	4/1991	Elrod	D30/162
D333,888	S *	3/1993	Visser	D30/162
D406,415	S *	3/1999	Martin	D30/162
D409,804	S *	5/1999	Nunes	D30/162
5,899,510	A *	5/1999	Hayes et al.	294/1.4
5,915,769	A *	6/1999	Kidd	294/1.4
6,123,046	A	9/2000	Gemeniano	

6,164,710	A *	12/2000	Shibuya	294/1.5
D461,027	S *	7/2002	Gardner	D30/162
6,702,349	B2 *	3/2004	Clements	294/1.5
7,090,268	B2 *	8/2006	Borman	294/1.5
7,188,878	B1 *	3/2007	Kraus	294/1.4
7,410,432	B2	8/2008	Dehen	
7,631,910	B2 *	12/2009	Shalhoub	294/1.5
D613,915	S *	4/2010	Plotkin	D30/162
D616,618	S	5/2010	Pearcey	
D618,402	S *	6/2010	Larman	D30/162
7,762,596	B1 *	7/2010	Gaydos et al.	294/1.5
7,866,717	B2 *	1/2011	Martinez	294/1.3
D634,490	S *	3/2011	Weber et al.	D30/162
2008/0127402	A1	6/2008	Seskin et al.	
2009/0090309	A1	4/2009	Scott	

* cited by examiner

Primary Examiner — Elizabeth J Oswecki

(57) **CLAIM**

The ornamental design for a telescopic animal urine collector, as shown and described.

DESCRIPTION

FIG. 1 is a right elevation view of a telescopic animal urine collector showing my new design; FIG. 2 is a cross sectional view taken along lines 2-2 of FIG. 3 shown in a used condition thereof; FIG. 3 is a front elevation view thereof; FIG. 4 is a rear elevation view thereof; FIG. 5 is a top plan view thereof; FIG. 6 is a bottom plan view thereof; and, FIG. 7 is an isometric view thereof. In the drawings, the broken lines in FIG. 2 depict portions of the design that form no part of the claim. FIG. 2 is shown broken away at the top of the pole to show indeterminate length.

1 Claim, 3 Drawing Sheets

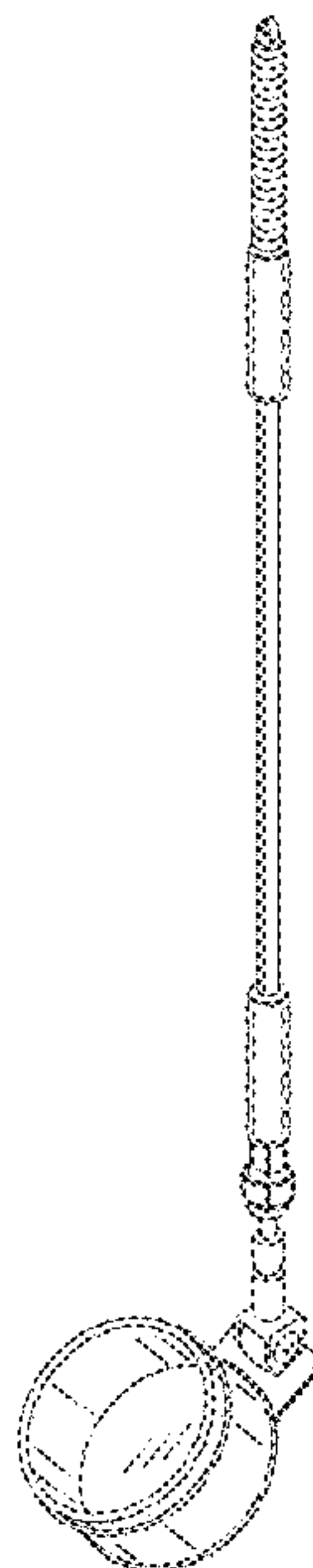


FIG. 1

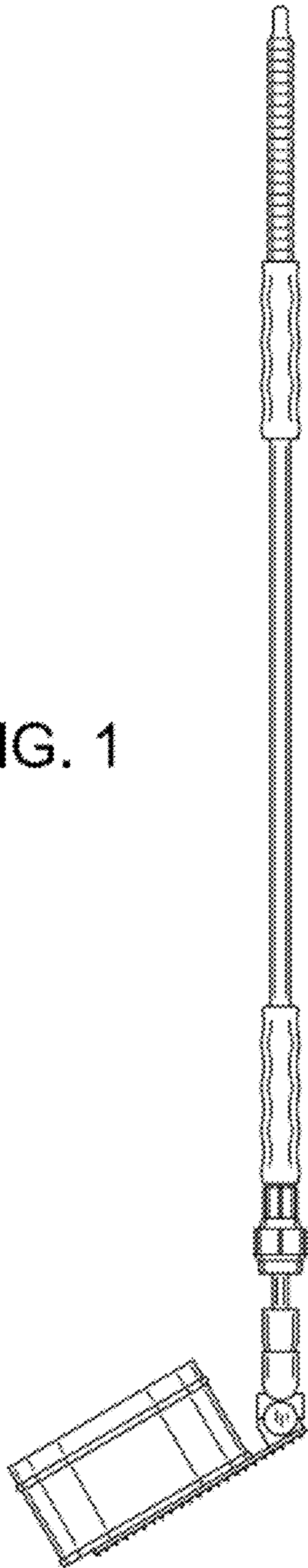
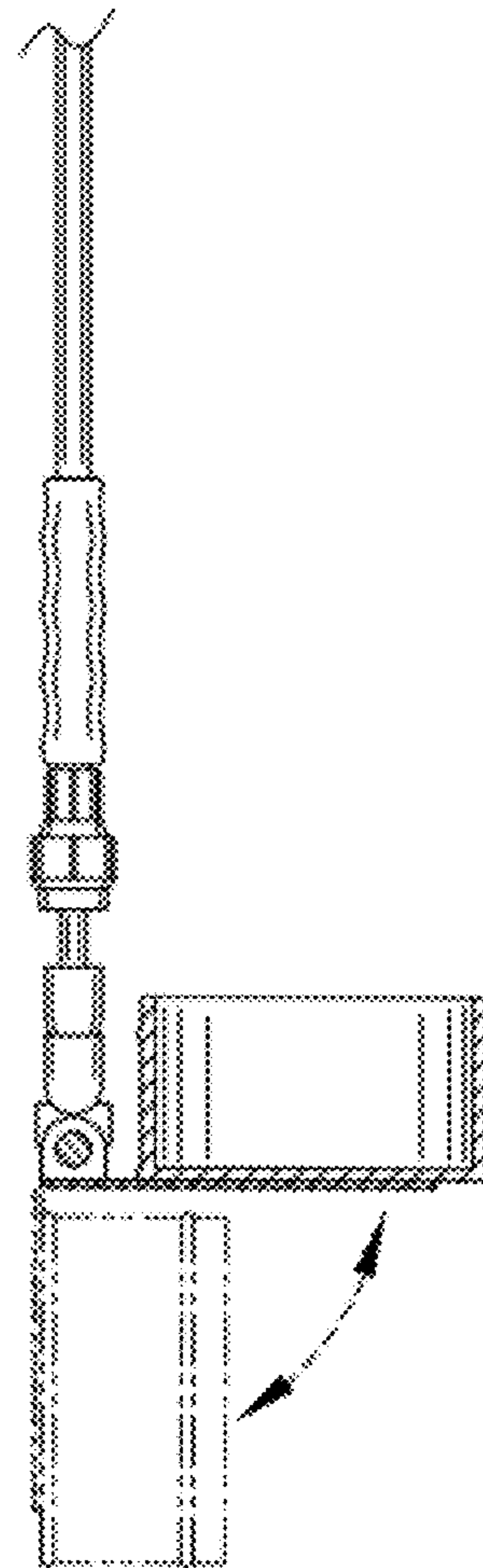


FIG. 2



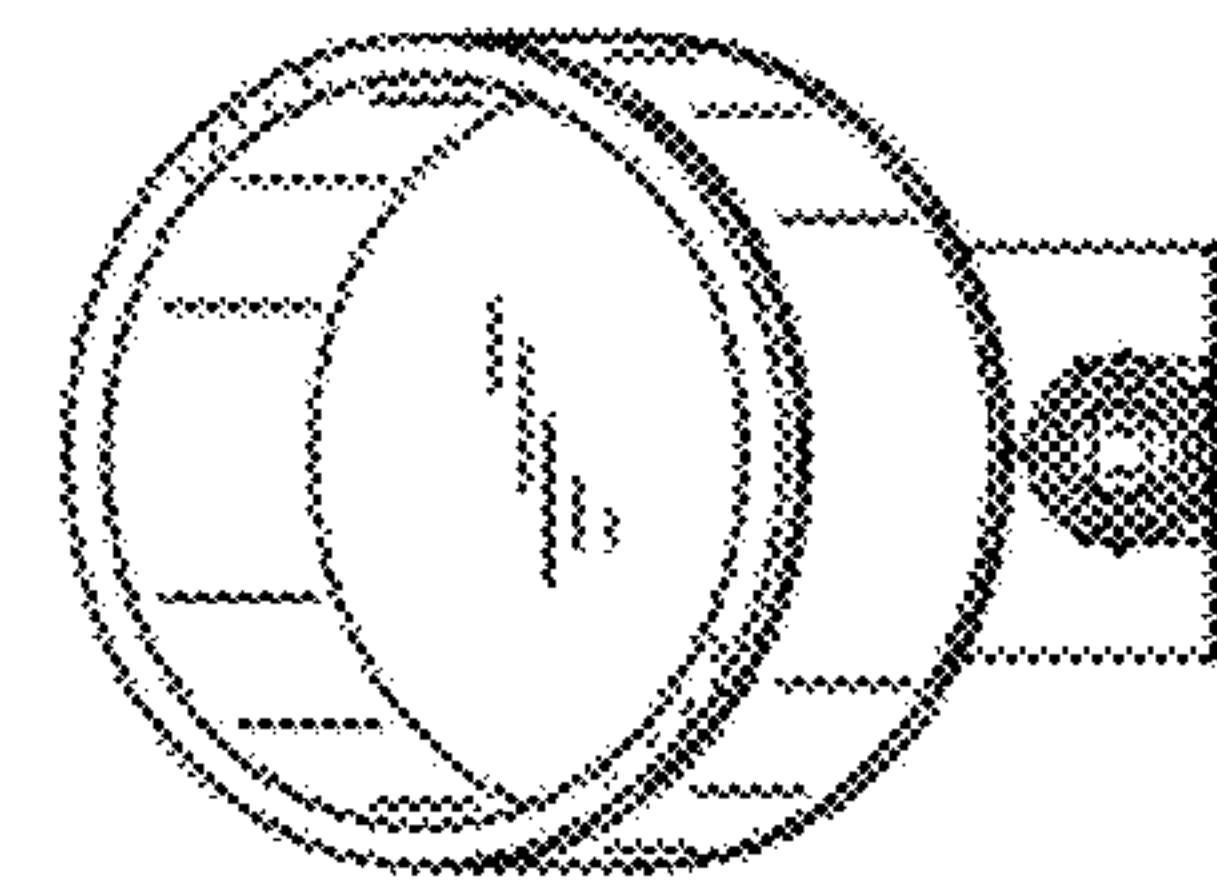


FIG. 5

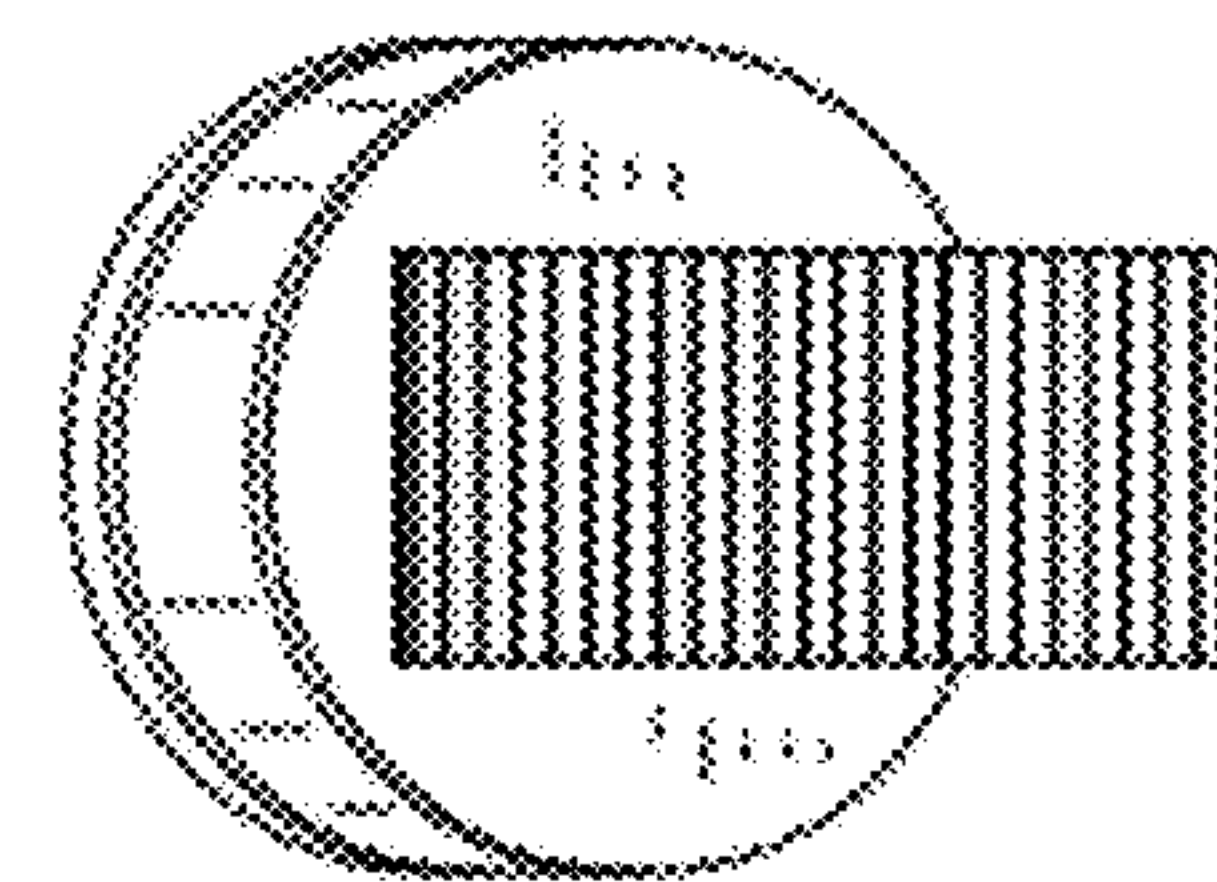


FIG. 6

FIG. 7

