

US00D662267S

(12) **United States Design Patent**
Morin

(10) **Patent No.:** **US D662,267 S**
(45) **Date of Patent:** **** Jun. 19, 2012**

- (54) **COLLAR WITH INTEGRAL TETHER**
- (76) Inventor: **Stephan P. Morin**, Sanford, FL (US)
- (**) Term: **14 Years**
- (21) Appl. No.: **29/381,910**
- (22) Filed: **Dec. 26, 2010**
- (51) **LOC (9) Cl.** **30-04**
- (52) **U.S. Cl.** **D30/152; D30/153**
- (58) **Field of Classification Search** D30/151-154;
119/792-798, 758, 760, 769, 770, 712, 784,
119/802, 856, 857, 863, 865, 858; 54/71;
30/39; 242/397, 615.3, 382, 384.7, 396.1,
242/385, 385.2, 385.4, 381.5, 381.6; D26/38;
254/134.3 FT; D8/358, 359; 473/576
See application file for complete search history.

- D324,437 S * 3/1992 Davis D30/152
- D335,263 S * 5/1993 Willis D11/3
- D337,866 S * 7/1993 Wiens D30/153
- 5,329,885 A 7/1994 Sporn
- 5,456,213 A 10/1995 Beauchamp
- D366,555 S * 1/1996 Daniels D29/101.5
- 5,711,255 A 1/1998 Rudolph
- 5,733,231 A * 3/1998 Corn et al. 482/120
- 5,749,504 A * 5/1998 Bieker 224/221
- 5,791,297 A * 8/1998 Mudge 119/865
- 5,816,198 A 10/1998 Peterson
- D402,578 S * 12/1998 Morishima et al. D11/3
- 6,095,936 A * 8/2000 Kirkpatrick et al. 473/450
- 6,099,447 A * 8/2000 Ramsaroop 482/127
- D430,957 S * 9/2000 Boucugnani et al. D29/100
- 6,149,559 A * 11/2000 Mackey 482/124
- 6,205,956 B1 * 3/2001 Dickie et al. 119/792
- D443,117 S * 5/2001 Rubin D30/153
- D443,530 S * 6/2001 Mann D10/31
- 6,283,065 B1 * 9/2001 Shorrock et al. 119/863
- 6,382,481 B1 * 5/2002 McIlmoil 224/162
- 6,481,382 B2 * 11/2002 Cohn 119/794
- 6,490,999 B1 * 12/2002 Boys 119/792
- 6,513,460 B2 * 2/2003 Fountoulakis 119/770

(56) **References Cited**

U.S. PATENT DOCUMENTS

- 245,979 A * 8/1881 Sloat 40/303
- 870,784 A * 11/1907 Huff 119/794
- 2,799,245 A * 7/1957 Ruggiero et al. 119/794
- 2,833,250 A * 5/1958 Beebe 119/794
- 2,840,878 A * 7/1958 Olson 24/615
- 2,889,807 A * 6/1959 Beebe 119/794
- 3,250,253 A * 5/1966 Galin 119/794
- 3,477,410 A * 11/1969 Lettieri 119/794
- 3,547,323 A * 12/1970 Sledge, Jr. et al. 224/162
- 3,776,198 A * 12/1973 Gehrke 119/794
- D248,057 S * 5/1978 Heimler et al. D3/229
- 4,088,276 A * 5/1978 Littleton 242/396.5
- 4,202,510 A * 5/1980 Stanish 242/384.7
- 4,208,986 A * 6/1980 Costanzo 119/860
- 4,328,766 A 5/1982 Deibert
- 4,328,767 A * 5/1982 Peterson 119/794
- D275,263 S * 8/1984 Cutler D8/358
- 4,480,716 A * 11/1984 Soubry et al. 182/233
- 4,606,484 A * 8/1986 Winter et al. 224/218
- 4,621,589 A * 11/1986 Thinnes 119/770
- 4,713,497 A * 12/1987 Smith 191/12.2 R
- 4,964,370 A * 10/1990 Peterson 119/794
- 4,977,860 A * 12/1990 Harwell 119/794

(Continued)

Primary Examiner — Susan Moon Lee

(74) *Attorney, Agent, or Firm* — Monty Simmons; Simmons Patents

(57) **CLAIM**

The ornamental design for a collar with integral tether, as shown and described.

DESCRIPTION

FIG. 1 is a top left perspective view of a collar with integral tether;

FIG. 2 is a left elevation view thereof;

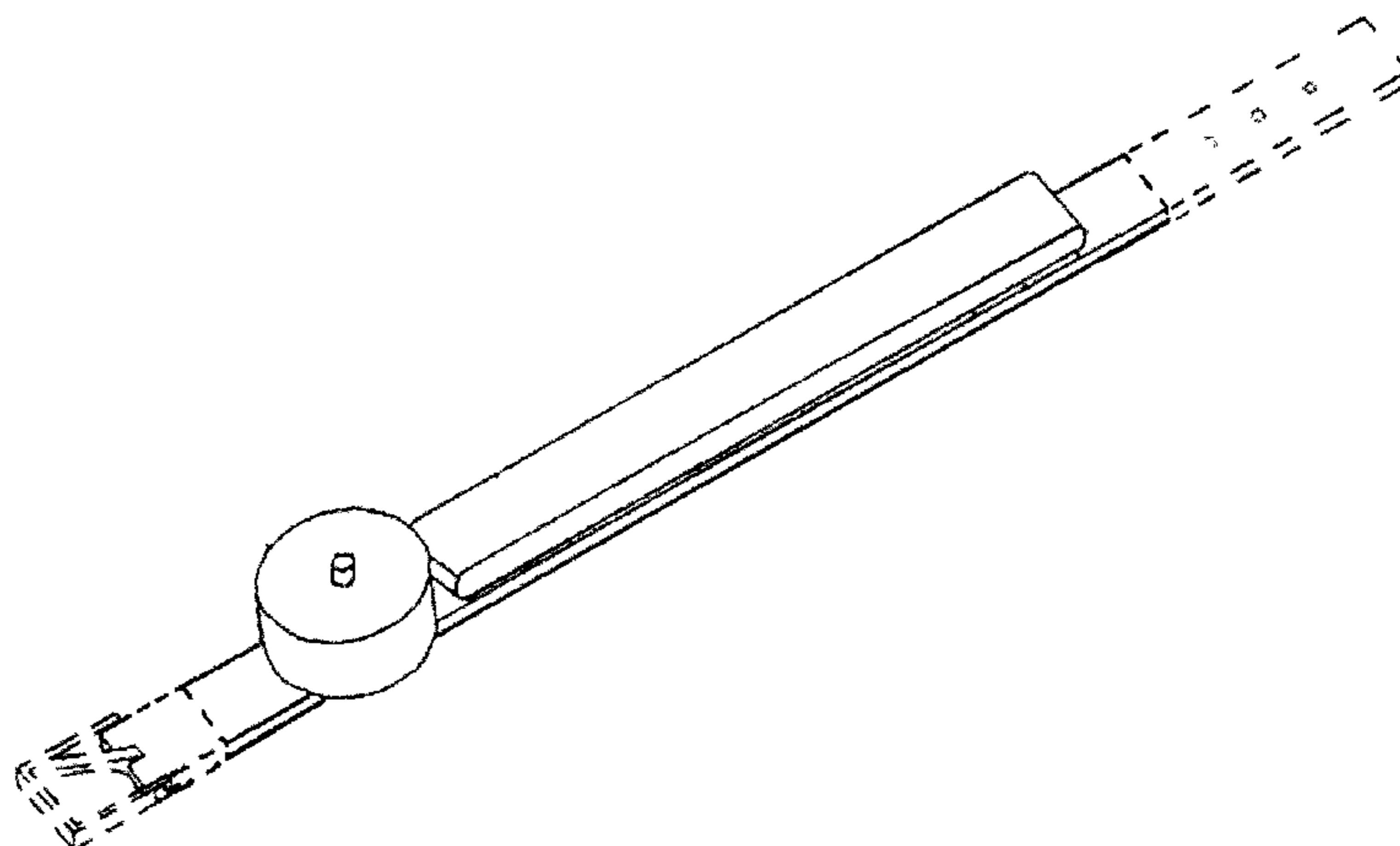
FIG. 3 is a right elevation view thereof;

FIG. 4 is a top view thereof; and,

FIG. 5 is a bottom view thereof.

The broken line elements in the drawings are not claimed.

1 Claim, 3 Drawing Sheets



US D662,267 S

Page 2

U.S. PATENT DOCUMENTS

6,581,547	B1 *	6/2003	Austin	119/794	7,774,969	B1 *	8/2010	Silverman	40/661
6,866,128	B2 *	3/2005	Moore et al.	191/12.4	D640,840	S *	6/2011	Reed	D30/152
6,892,678	B2 *	5/2005	Cheng	119/859	8,001,933	B2 *	8/2011	Robley et al.	119/792
6,912,975	B1 *	7/2005	Balan	119/794	D653,408	S *	1/2012	Sajid	D30/152
6,929,209	B2 *	8/2005	Baumgarten	242/377	2002/0096128	A1 *	7/2002	Cohn	119/793
7,017,527	B2 *	3/2006	Price	119/794	2003/0106501	A1 *	6/2003	Austin	119/794
D523,188	S *	6/2006	Lord	D30/152	2004/0154556	A1 *	8/2004	Masterson et al.	119/794
D525,538	S *	7/2006	Oas	D10/40	2005/0072819	A1 *	4/2005	Maldonado et al.	224/162
D530,046	S *	10/2006	Lord	D30/152	2005/0211189	A1 *	9/2005	Price	119/794
7,150,247	B2	12/2006	Eulette et al.		2005/0258203	A1 *	11/2005	Weaver	224/162
7,174,857	B2	2/2007	Lord		2006/0236955	A1 *	10/2006	Lord	119/794
7,281,495	B2	10/2007	Wagner		2006/0288960	A1 *	12/2006	Harrison	119/794
7,357,284	B2 *	4/2008	Jauvin	224/660	2007/0039560	A1 *	2/2007	Smith	119/794
7,402,147	B1 *	7/2008	Allen	602/20	2007/0278265	A1 *	12/2007	Contente	224/162
7,461,615	B2 *	12/2008	Albright	119/794	2008/0072844	A1 *	3/2008	Konigsberg	119/770
7,610,880	B2 *	11/2009	Lord	119/794	2008/0313862	A1 *	12/2008	Brekke-Hutchings	24/3.13
D607,617	S *	1/2010	Golenz et al.	D30/152	2009/0038670	A1 *	2/2009	Shu	136/244
7,755,483	B2 *	7/2010	Schmidt	340/568.1					

* cited by examiner

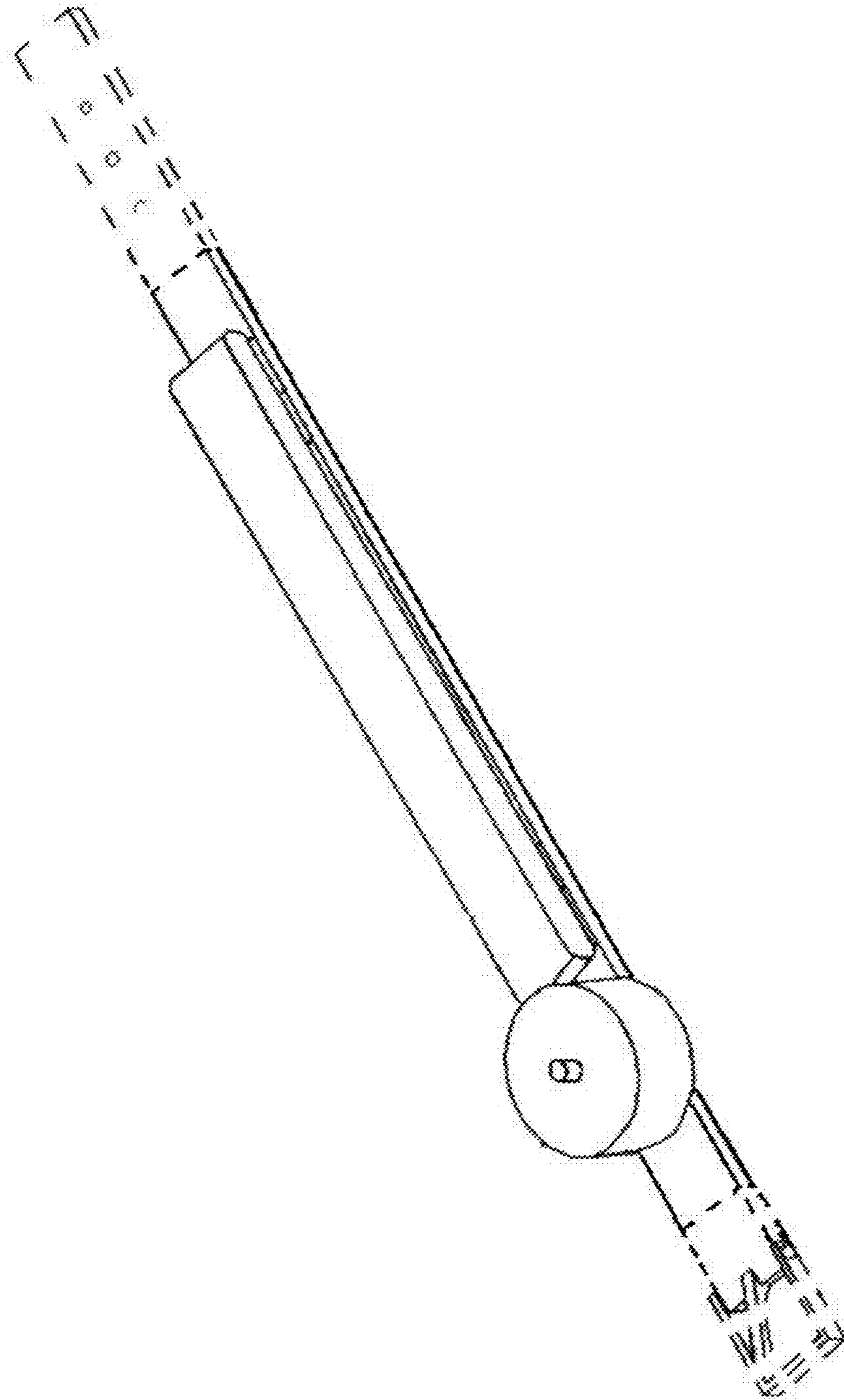


Fig. 1



Fig. 2

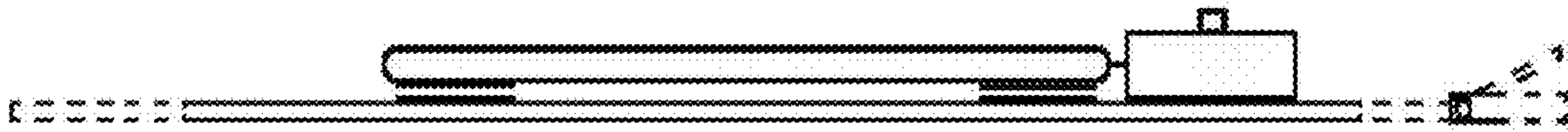


Fig. 3

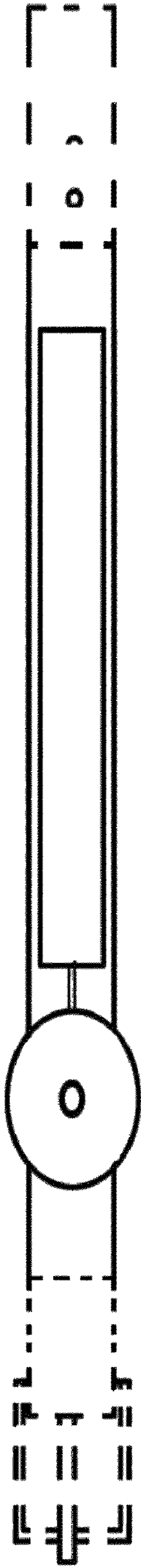


Fig. 4

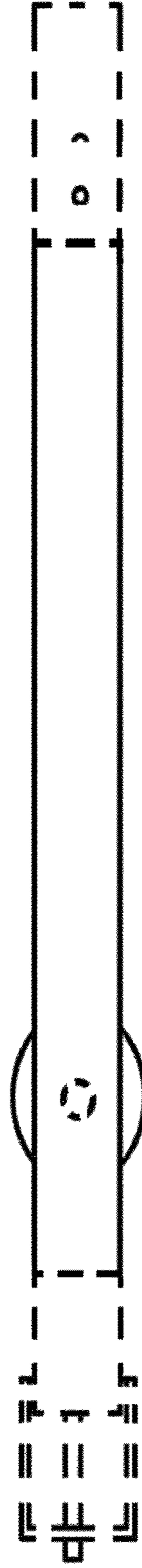


Fig. 5