



US00D662264S

(12) **United States Design Patent**  
**Chau et al.**

(10) **Patent No.:** **US D662,264 S**  
(45) **Date of Patent:** **\*\* Jun. 19, 2012**

(54) **PET CARRIER**

(75) Inventors: **Nam Wai Chau**, Kennedy Town (CN);  
**Ka Kin Ho**, Tsuen Wan (CN); **Owen A. Slater**, Plano, TX (US); **Michael A. Foster**, Flower Mound, TX (US)

(73) Assignee: **Dallas Manufacturing Co., Inc.**, Dallas, TX (US)

(\*\*) Term: **14 Years**

(21) Appl. No.: **29/372,607**

(22) Filed: **Dec. 13, 2010**

(51) **LOC (9) Cl.** ..... **30-02**

(52) **U.S. Cl.** ..... **D30/109**

(58) **Field of Classification Search** ..... D30/108-120,  
D30/161, 199; 119/28.5, 161-170, 496-499,  
119/502, 512-513, 712, 452-456, 459, 461,  
119/472, 474-485, 489, 473, 500, 501; D3/213-217,  
D3/273, 276, 289, 301, 303

See application file for complete search history.

(56) **References Cited**

**U.S. PATENT DOCUMENTS**

1,633,991 A 6/1927 Lifton  
(Continued)

**OTHER PUBLICATIONS**

Pet carrier image at Internet website <http://www.sovaleather.com/V56113frntbig.jpg>, printed Dec. 1, 2009 (1 pg.).

(Continued)

*Primary Examiner* — T. Chase Nelson

*Assistant Examiner* — Ania Aman

(74) *Attorney, Agent, or Firm* — Sheppard, Mullin, Richter & Hampton LLP

(57) **CLAIM**

We claim the ornamental design for a pet carrier, as shown and described.

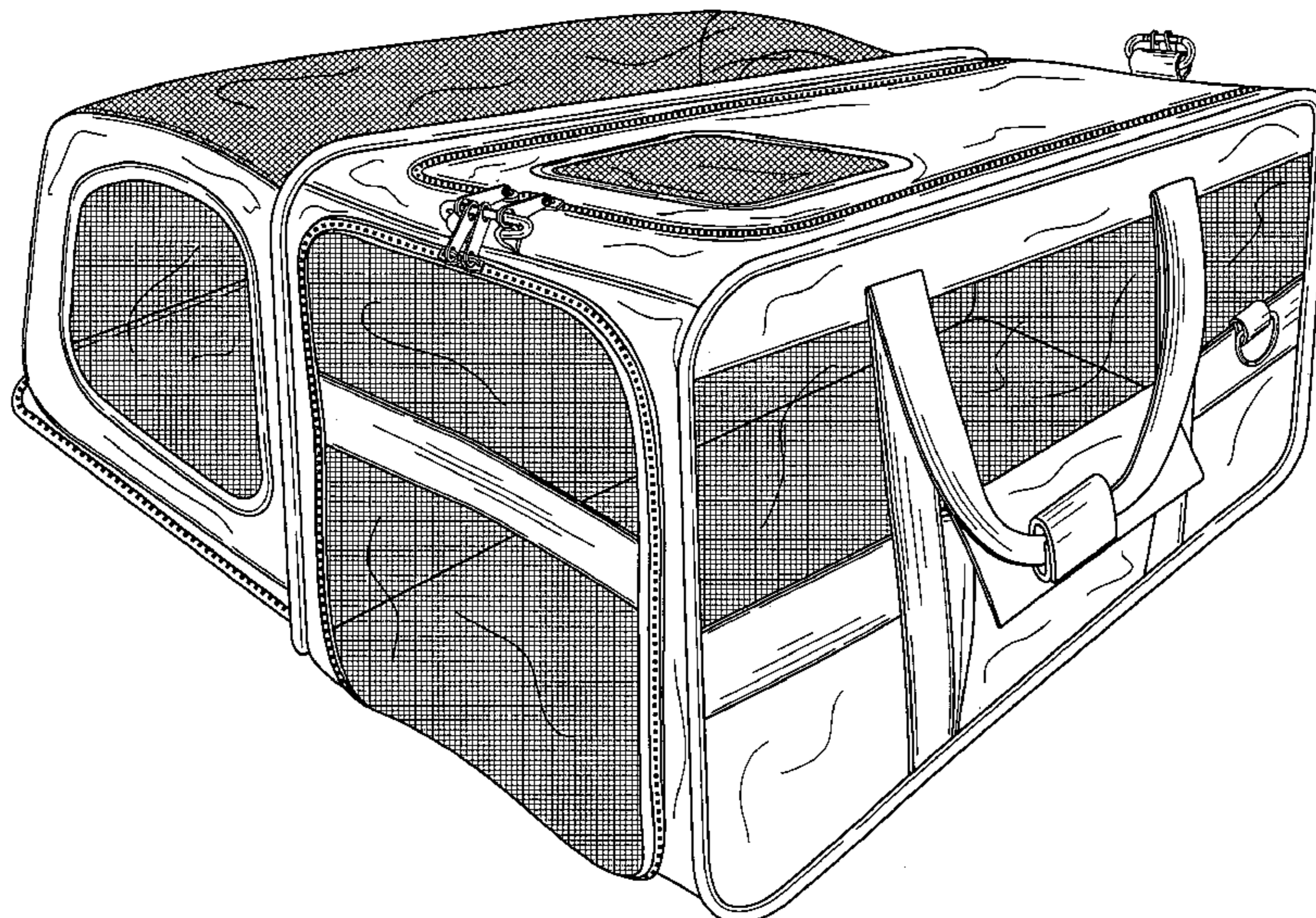
**DESCRIPTION**

FIG. 1 is a perspective view of the pet carrier showing the new design, with the expandable side panel in the open position; FIG. 2 is a right elevational view of the pet carrier depicted in FIG. 1; FIG. 3 is a left elevational view of the pet carrier depicted in FIG. 1; FIG. 4 is a rear side elevational view of the pet carrier depicted in FIG. 1; FIG. 5 is a front side elevational view of the pet carrier depicted in FIG. 1; FIG. 6 is a top plan view of the pet carrier depicted in FIG. 1; and FIG. 7 is a bottom plan view of the pet carrier depicted in FIG. 1.

FIG. 8 is a perspective view of the pet carrier showing the new design, with the expandable side panel in the closed position; FIG. 9 is a right elevational view of the pet carrier depicted in FIG. 8; FIG. 10 is a left elevational view of the pet carrier depicted in FIG. 8; FIG. 11 is a rear side elevational view of the pet carrier depicted in FIG. 8; FIG. 12 is a front side elevational view of the pet carrier depicted in FIG. 8; FIG. 13 is a top plan view of the pet carrier depicted in FIG. 8; and, FIG. 14 is a bottom plan view of the pet carrier depicted in FIG. 8.

The broken lines depicting the zippers are part of the claimed design. The remaining broken lines are for illustrative purposes only and form no part of the claimed design.

**1 Claim, 13 Drawing Sheets**



# US D662,264 S

## U.S. PATENT DOCUMENTS

2,792,844	A	5/1957	Clark	
RE25,826	E *	8/1965	Ward	190/108
3,903,944	A	9/1975	Montgomery et al.	
4,830,154	A	5/1989	Gerch et al.	
5,497,919	A	3/1996	Klinger	
5,927,581	A	7/1999	Reddy et al.	
5,931,120	A	8/1999	Burns et al.	
6,015,072	A	1/2000	Young	
6,021,740	A	2/2000	Martz	
D424,248	S	5/2000	Sommers	
6,076,485	A	6/2000	Peeples et al.	
6,082,305	A	7/2000	Burns et al.	
6,095,090	A	8/2000	Burns et al.	
6,155,206	A *	12/2000	Godshaw	119/453
6,216,637	B1	4/2001	Burns et al.	
6,286,461	B1	9/2001	Martz	
6,286,462	B1	9/2001	Burns	
6,308,661	B2	10/2001	Burns et al.	
D451,647	S	12/2001	Chrisco et al.	
6,394,036	B2	5/2002	Burns et al.	
6,516,751	B2	2/2003	Burns et al.	
6,520,391	B2	2/2003	Yen	
6,523,499	B1	2/2003	Chrisco et al.	
6,701,871	B1	3/2004	Johnson	
6,715,446	B2	4/2004	Chou	
6,715,651	B2	4/2004	Le Gal	
6,899,057	B1	5/2005	Chrisco et al.	
D524,995	S	7/2006	Dudas	
7,210,426	B2	5/2007	Yeung	
7,232,018	B1	6/2007	Salander	
D558,406	S	12/2007	King	
D571,053	S	6/2008	Donnelly	
D571,054	S	6/2008	Donnelly	
D575,461	S	8/2008	Cannon et al.	
D583,108	S	12/2008	Richardson	
7,510,104	B2	3/2009	Taylor	
7,568,450	B2	8/2009	Chen	
7,617,917	B2	11/2009	Hai et al.	
7,665,421	B2	2/2010	Martz	
2002/0139314	A1 *	10/2002	Burns et al.	119/497

2003/0127060	A1 *	7/2003	Yeung	119/497
2007/0193528	A1	8/2007	Scaife	
2007/0215425	A1	9/2007	Slater	
2007/0251465	A1	11/2007	Shafer et al.	
2008/0149673	A1	6/2008	Slater	
2008/0216760	A1	9/2008	Cannon et al.	
2008/0245312	A1	10/2008	Leung et al.	
2008/0245313	A1	10/2008	Jakubowski et al.	
2009/0000563	A1	1/2009	Mirsky	
2009/0101075	A1	4/2009	Matlack	
2009/0205578	A1	8/2009	Alves	
2009/0255770	A1	10/2009	Slater	

## OTHER PUBLICATIONS

Various Pop-Up Kennels at Internet website [http://petmate.com/Products/Pop-Up-Kennel\\_21390.aspx](http://petmate.com/Products/Pop-Up-Kennel_21390.aspx), printed Mar. 16, 2010 (2 pgs.).

Soft sided Kennel at Internet website [http://petmate.com/Products/Soft-Sided-Kennel\\_21314.aspx](http://petmate.com/Products/Soft-Sided-Kennel_21314.aspx), printed Mar. 16, 2010 (1 pg.).

Sherpa On-Wheels Pet Carrier—Medium at Internet website [http://www.target.com/gp/detail.html/601-3910369-2868139?\\_encoding=UTF8&frombrowse=1&asin=B0002DIS6I](http://www.target.com/gp/detail.html/601-3910369-2868139?_encoding=UTF8&frombrowse=1&asin=B0002DIS6I), printed Dec. 1, 2009 (1 pg.).

Kelle Carrier at Internet website <http://www.muttropolis.com/products2.cfm/id/4014/name/Kelle-Carrier>, printed Dec. 1, 2009 (1 pg.).

Sherpa Sport Wheels Pet Carrier at Internet website <http://www.csnstores.com/asp/superbrowse.asp?clid=998&caid=&sku=IH1171&refid=GF49-IH1171>, printed Dec. 1, 2009 (1 pg.).

Pet Airline Soft Car Seat Carrier by Pet Gear at Internet website <http://www.petairlinecarrier.com/inventory/soft-car-seat-carrier-12-inches-terra-cotta.htm>, printed Dec. 2, 2009 (1 pg.).

Various pet carriers at Internet website <http://www.swtrading.net/PolkaDots.html>, printed Dec. 1, 2009 (1 pg.).

Various pet carriers at Internet website <http://www.petramp-store.com/c/resources>, printouted Dec. 1, 2009 (1 pg.).

Various pet carriers at Internet website <http://images.google.com>, printed Dec. 1, 2009 (2 pgs.).

\* cited by examiner

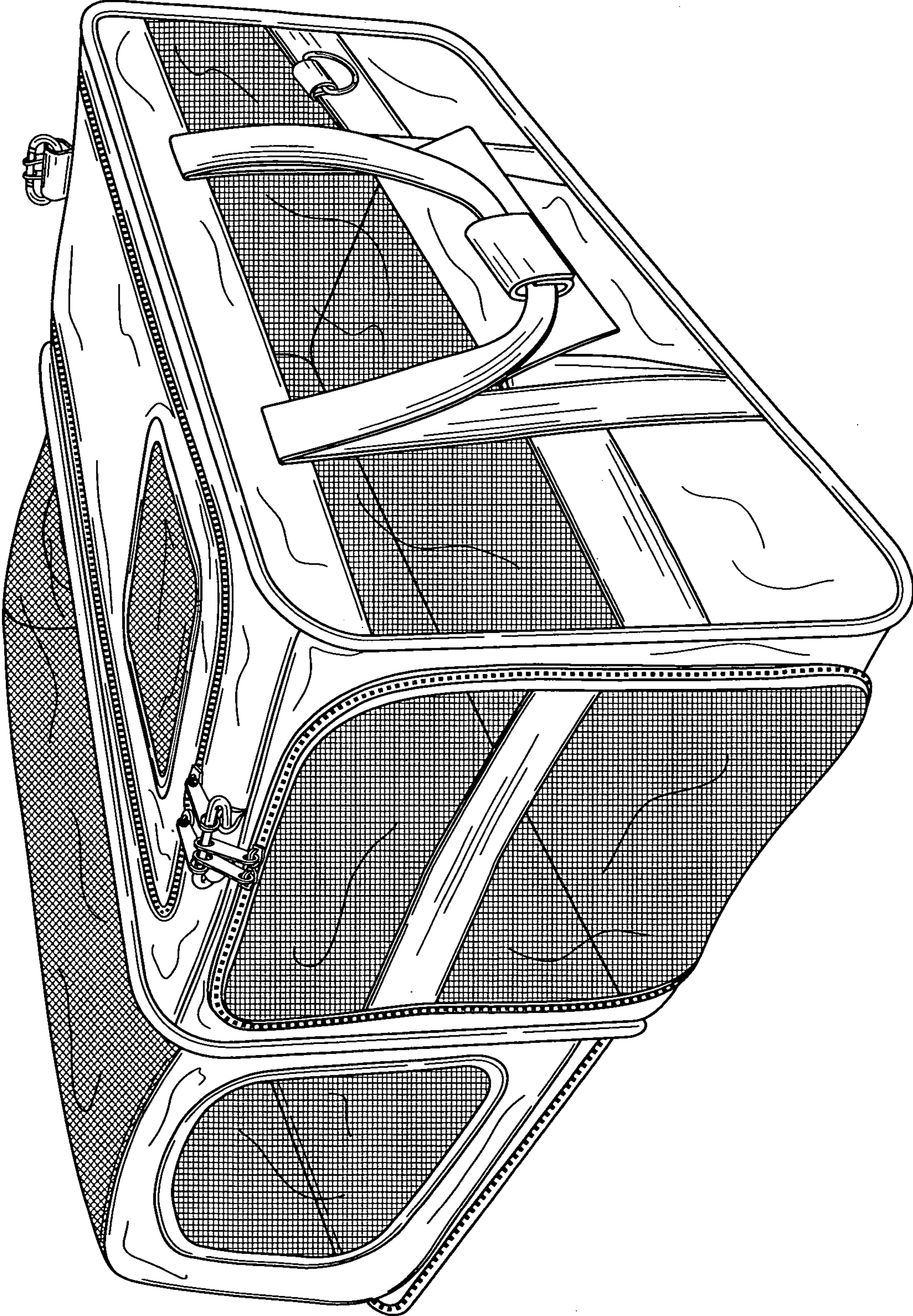


FIG. 1

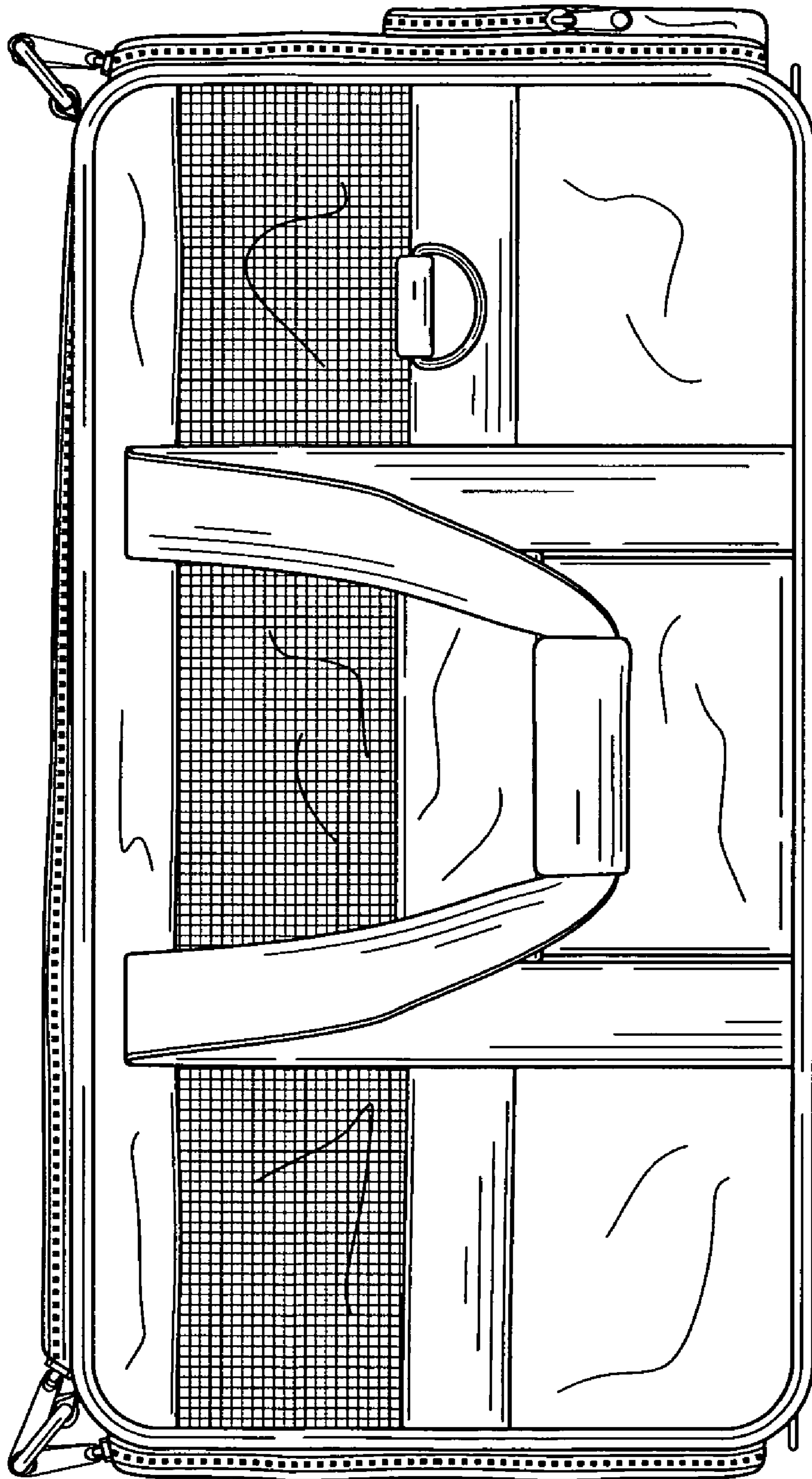


FIG. 2

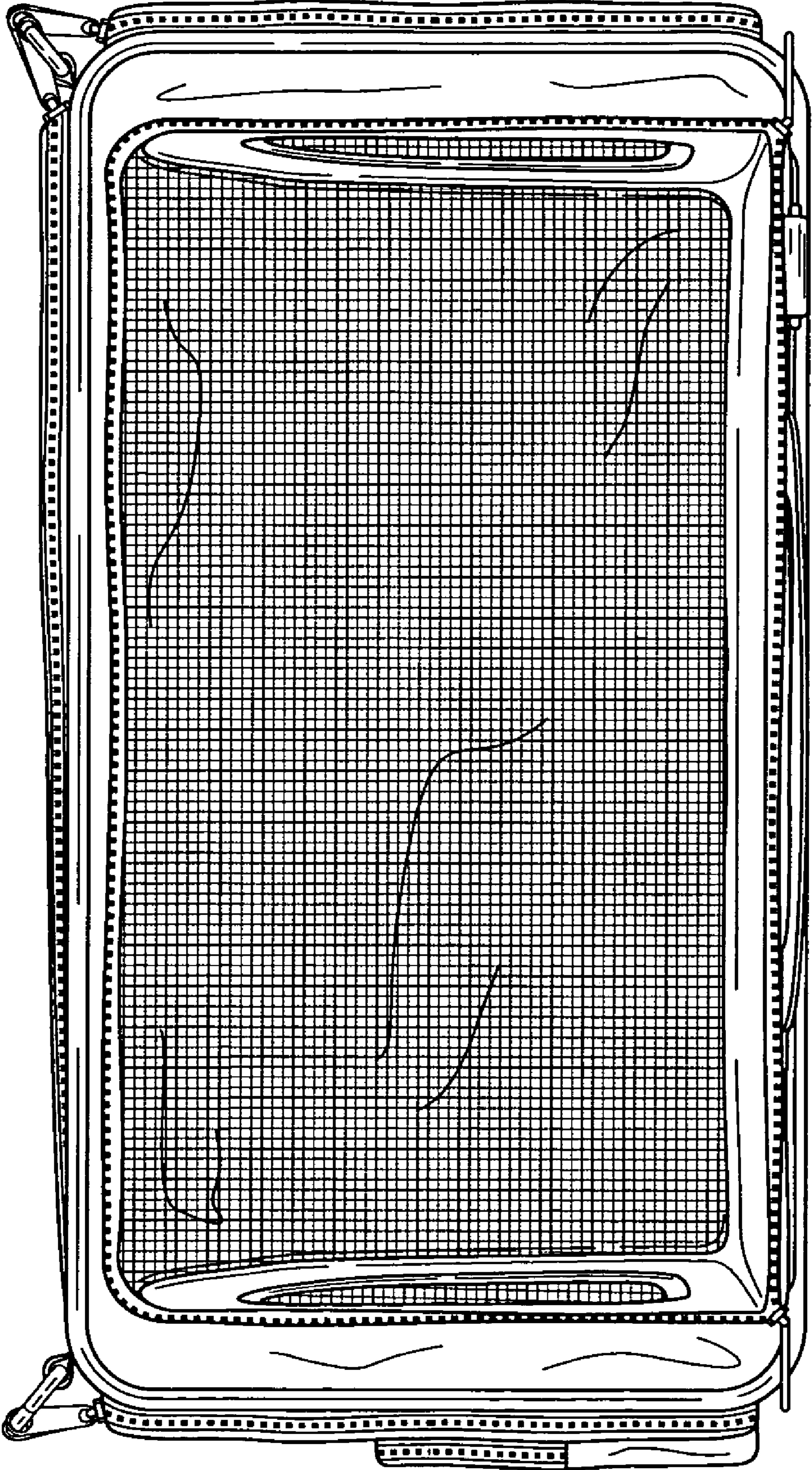


FIG. 3

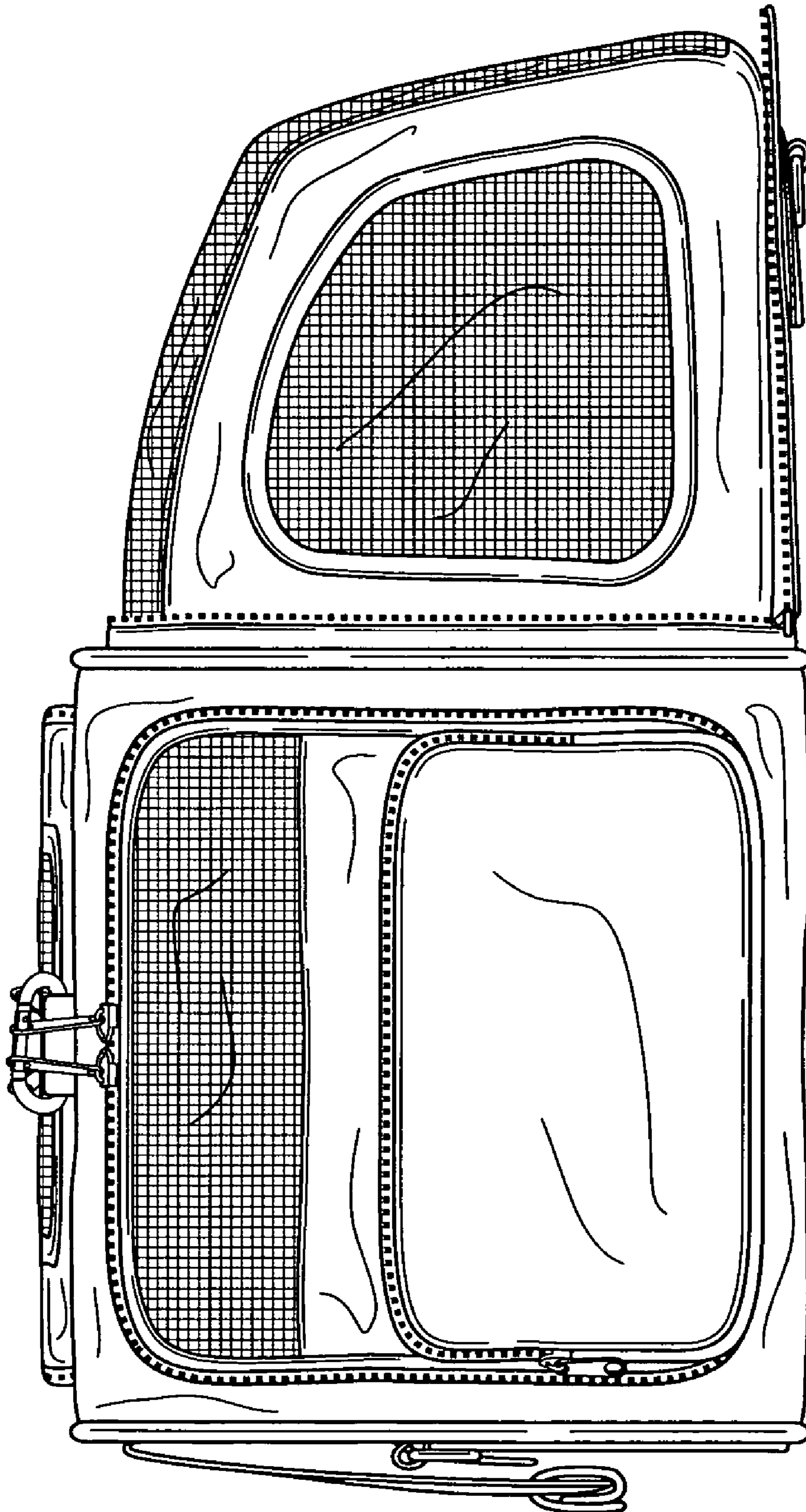


FIG. 4

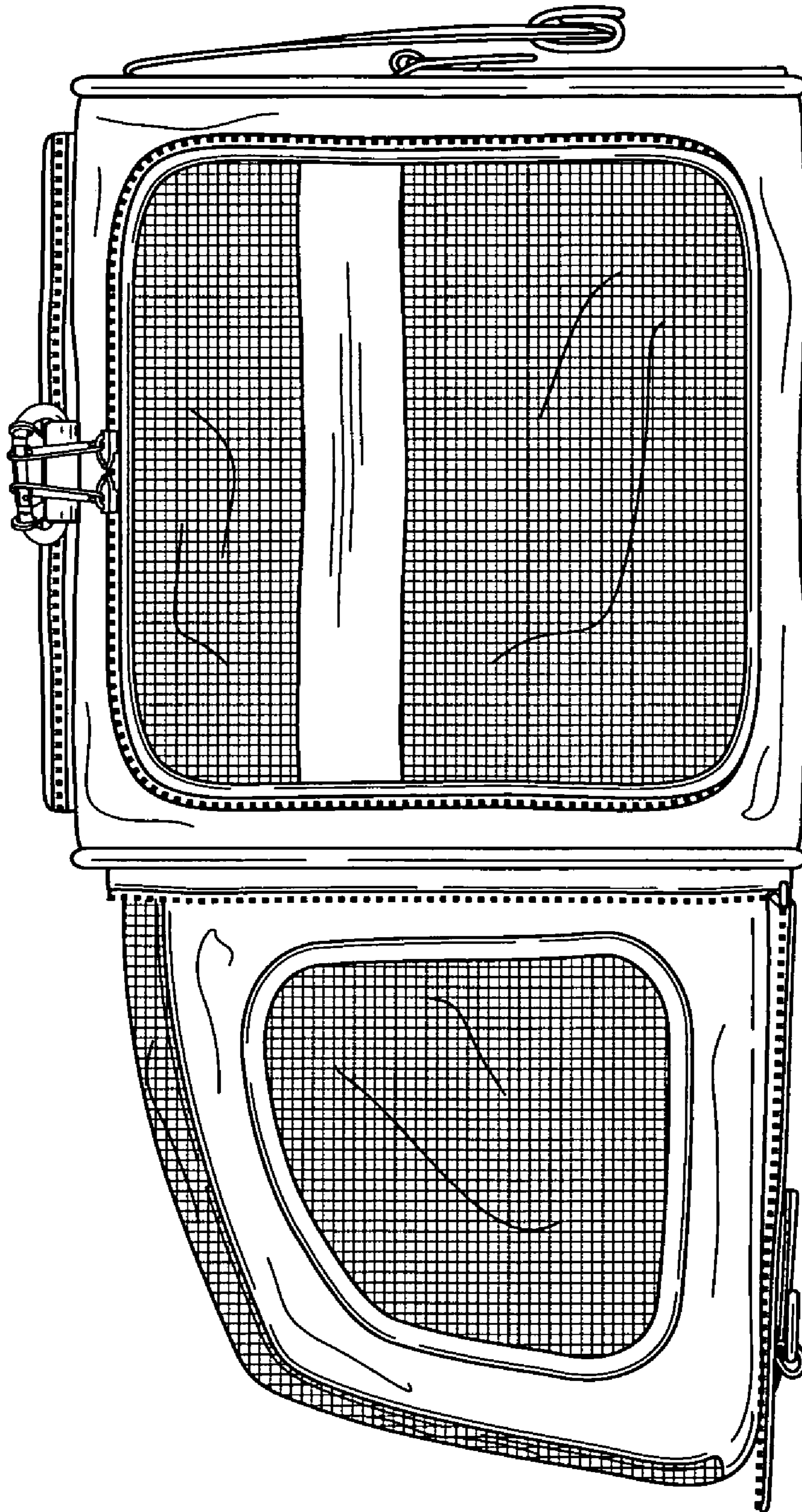


FIG. 5

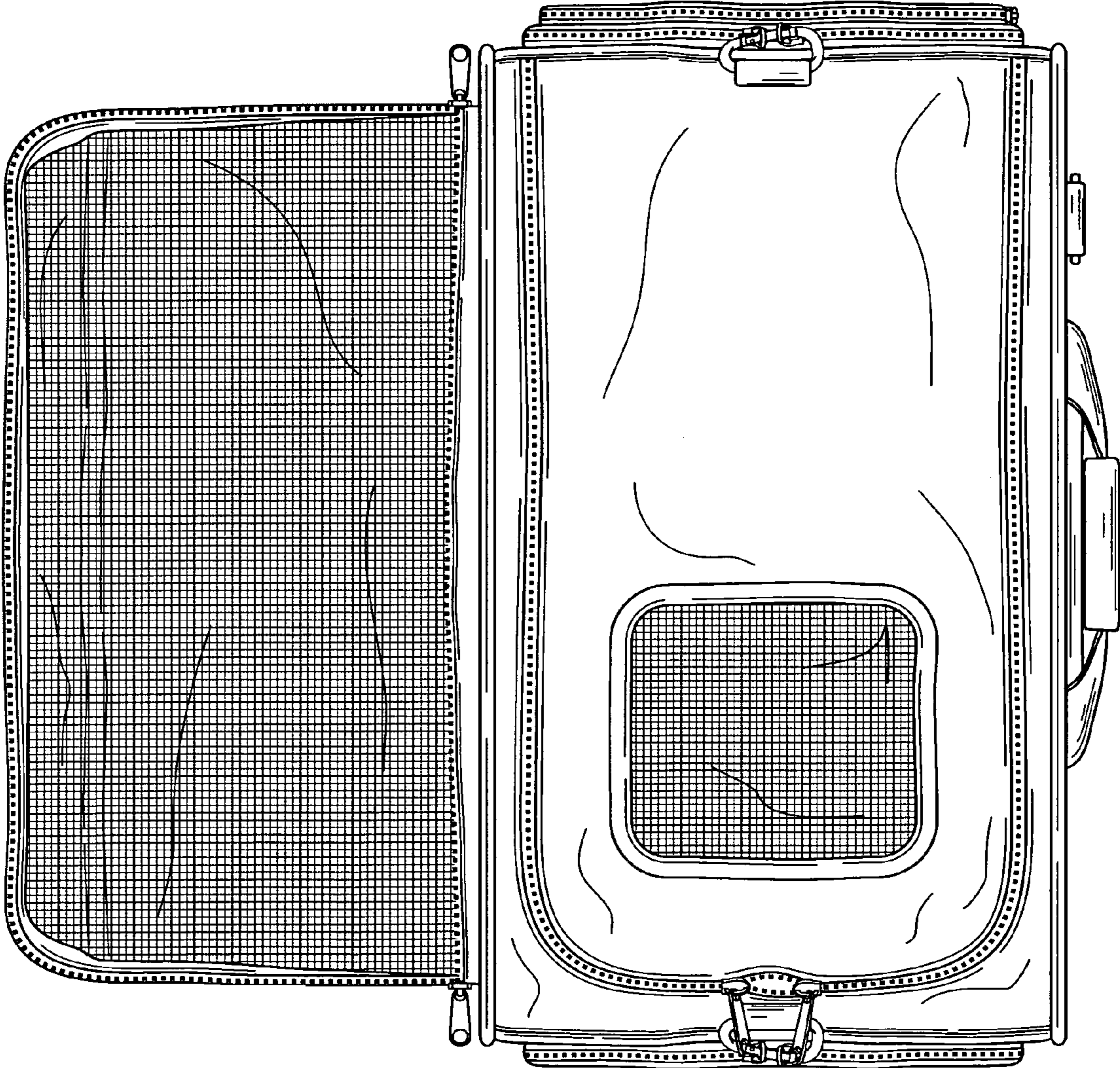


FIG. 6



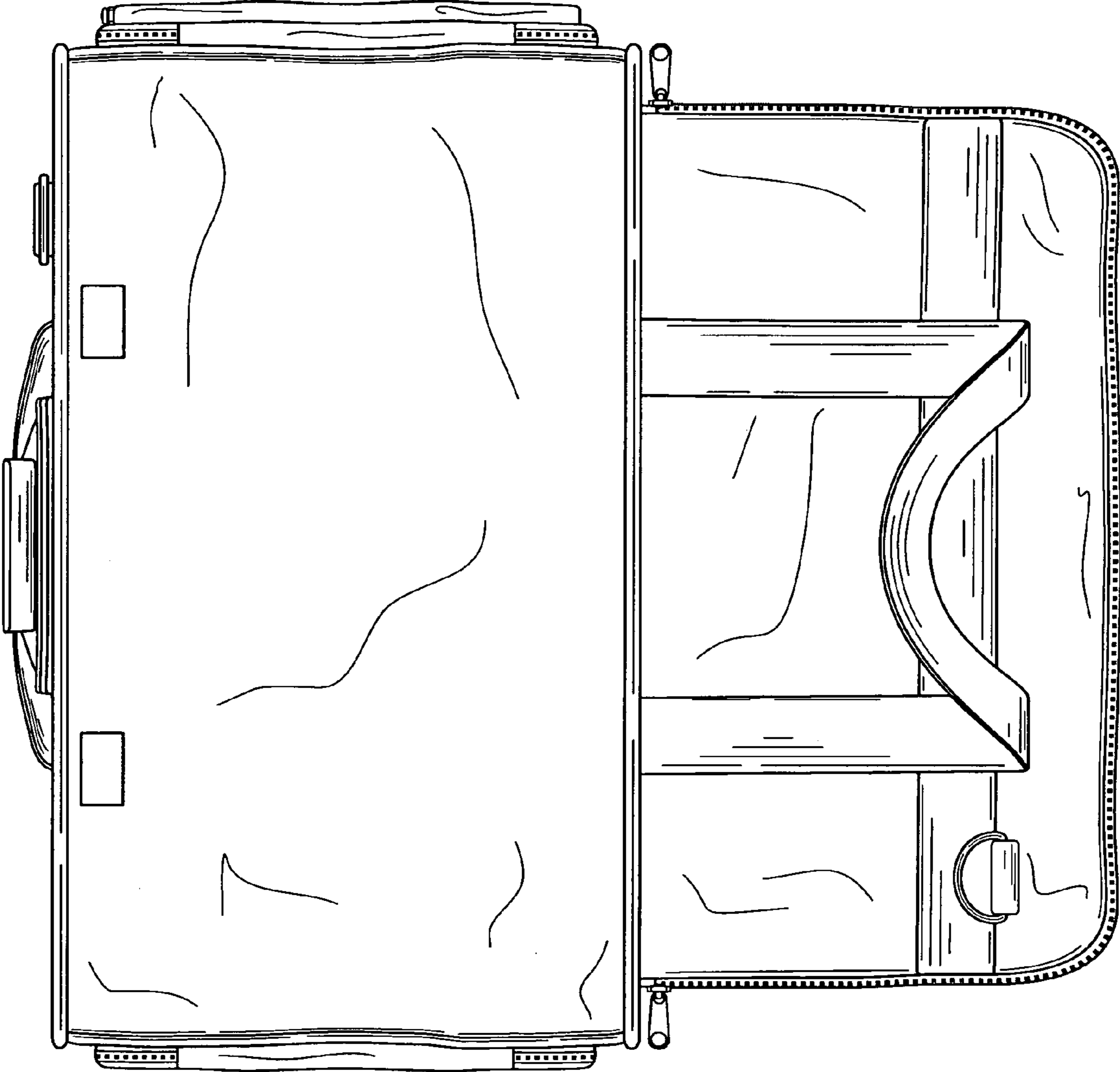


FIG. 7

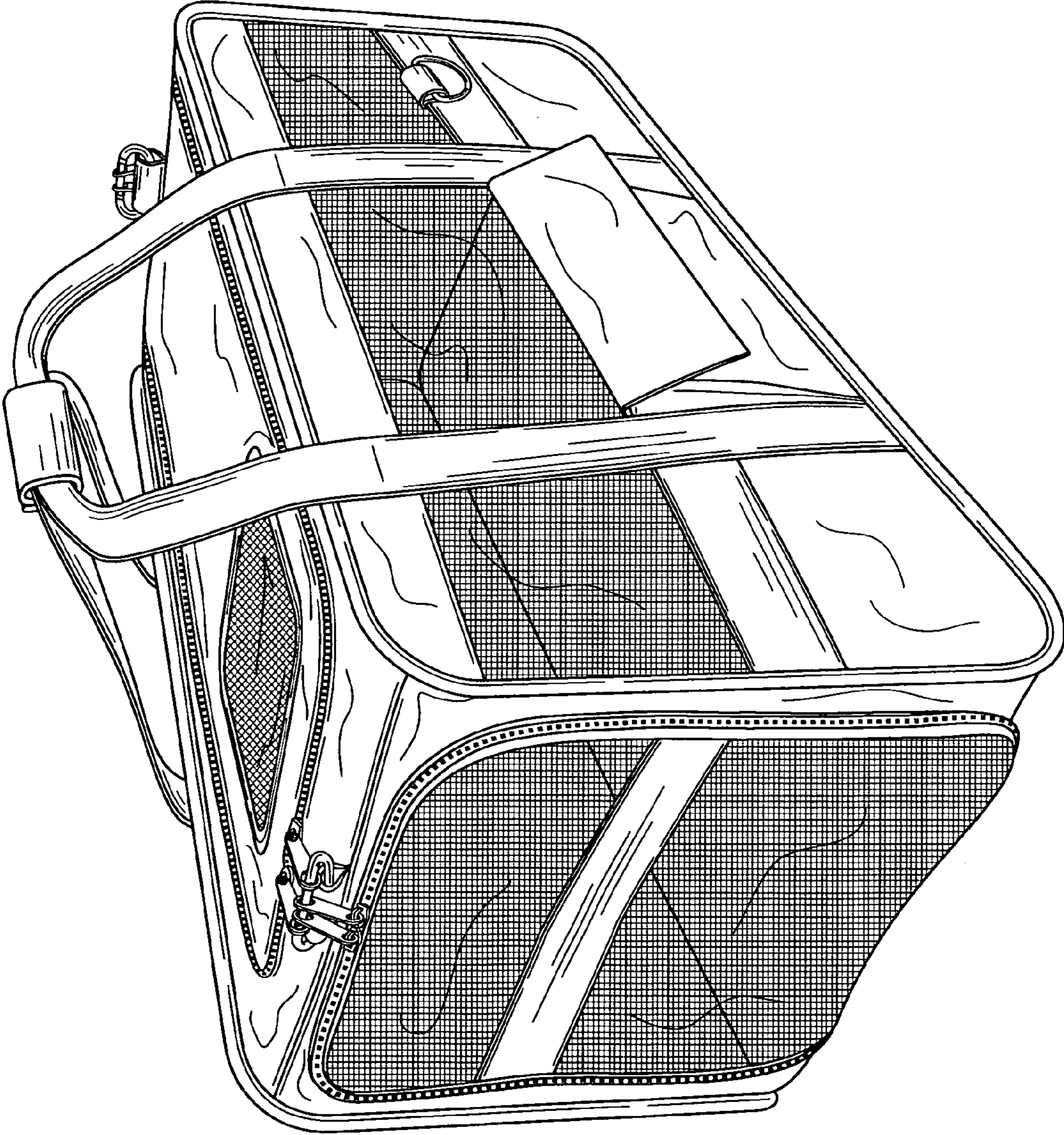


FIG. 8

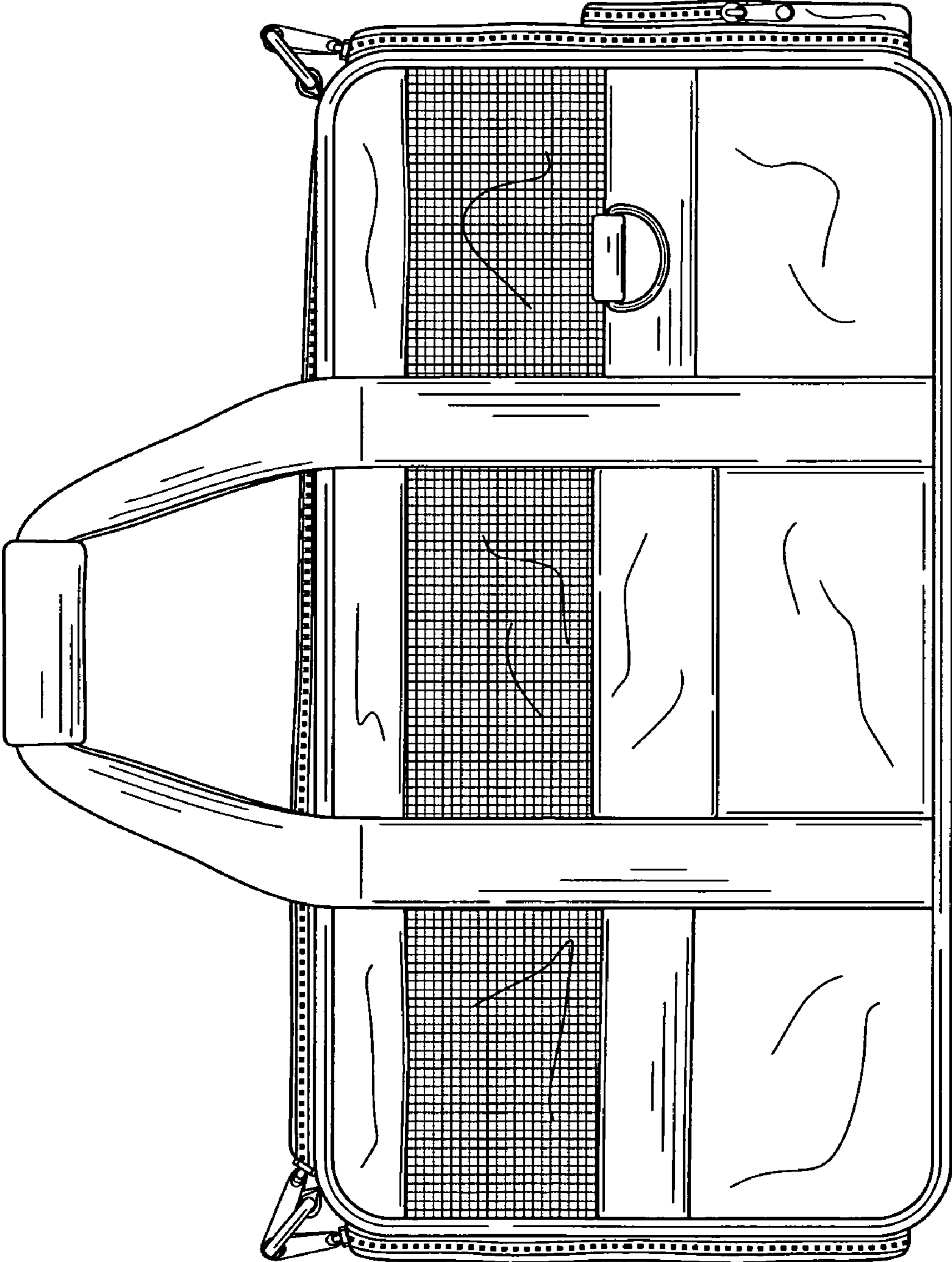


FIG. 9

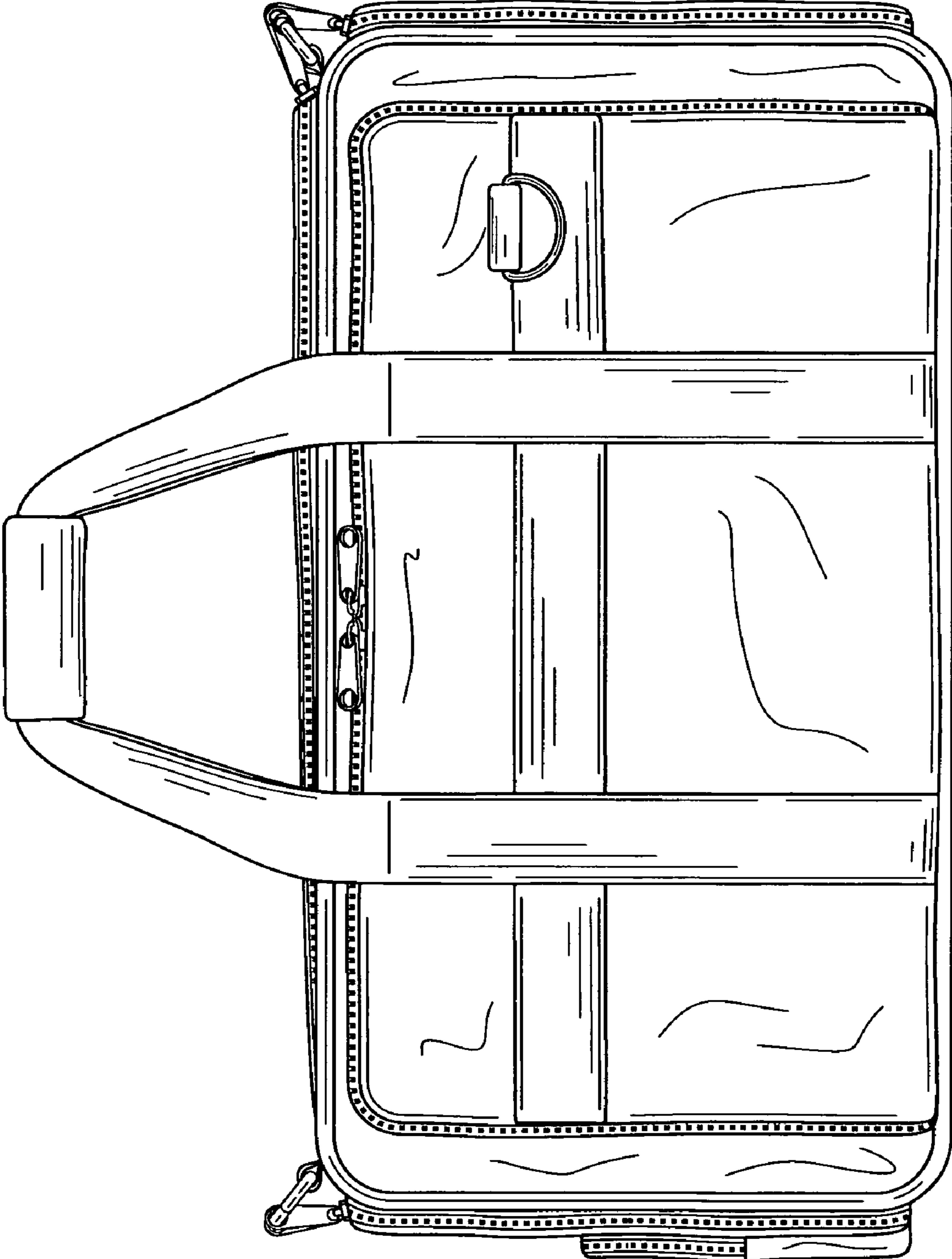


FIG. 10

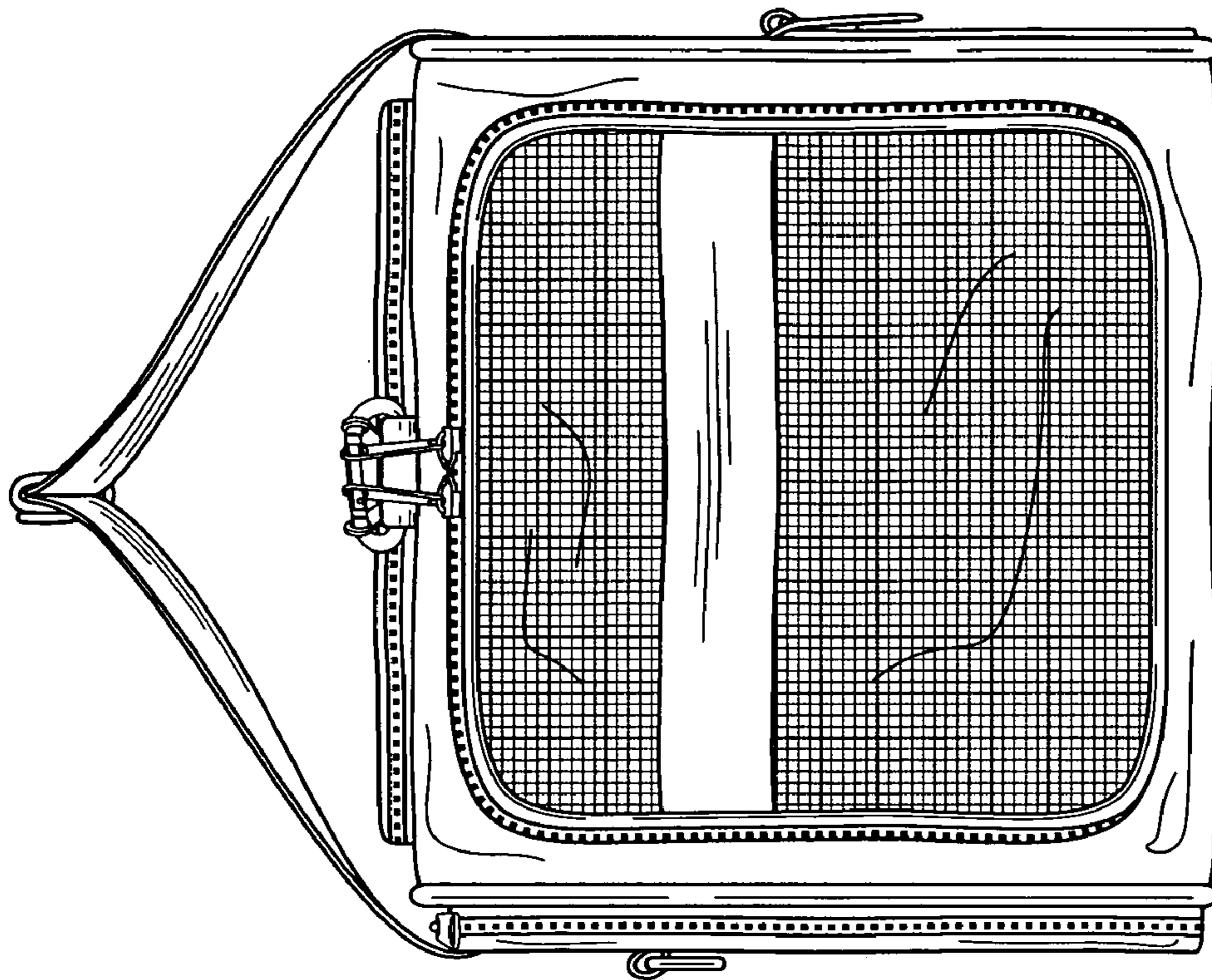


FIG. 11

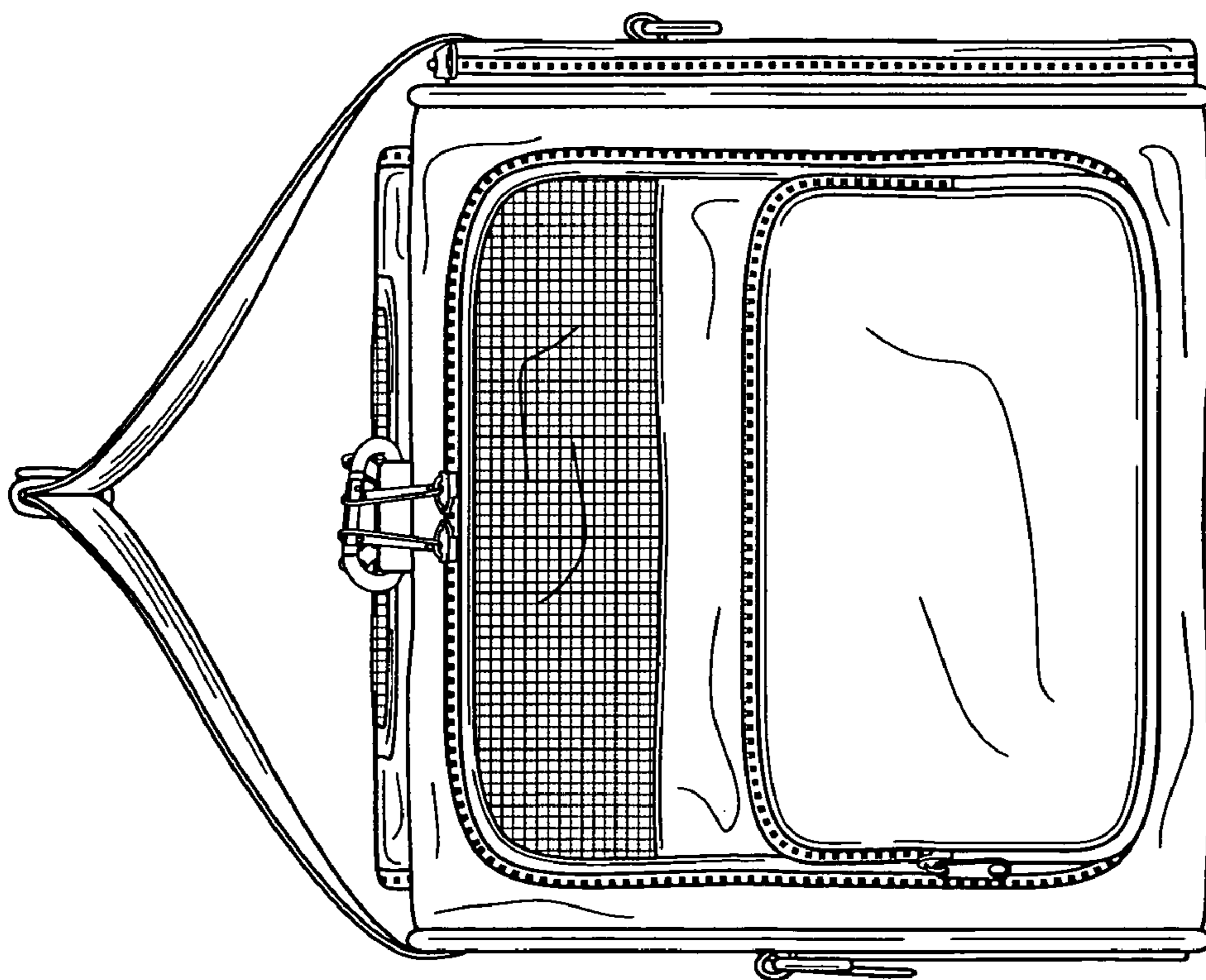


FIG. 12

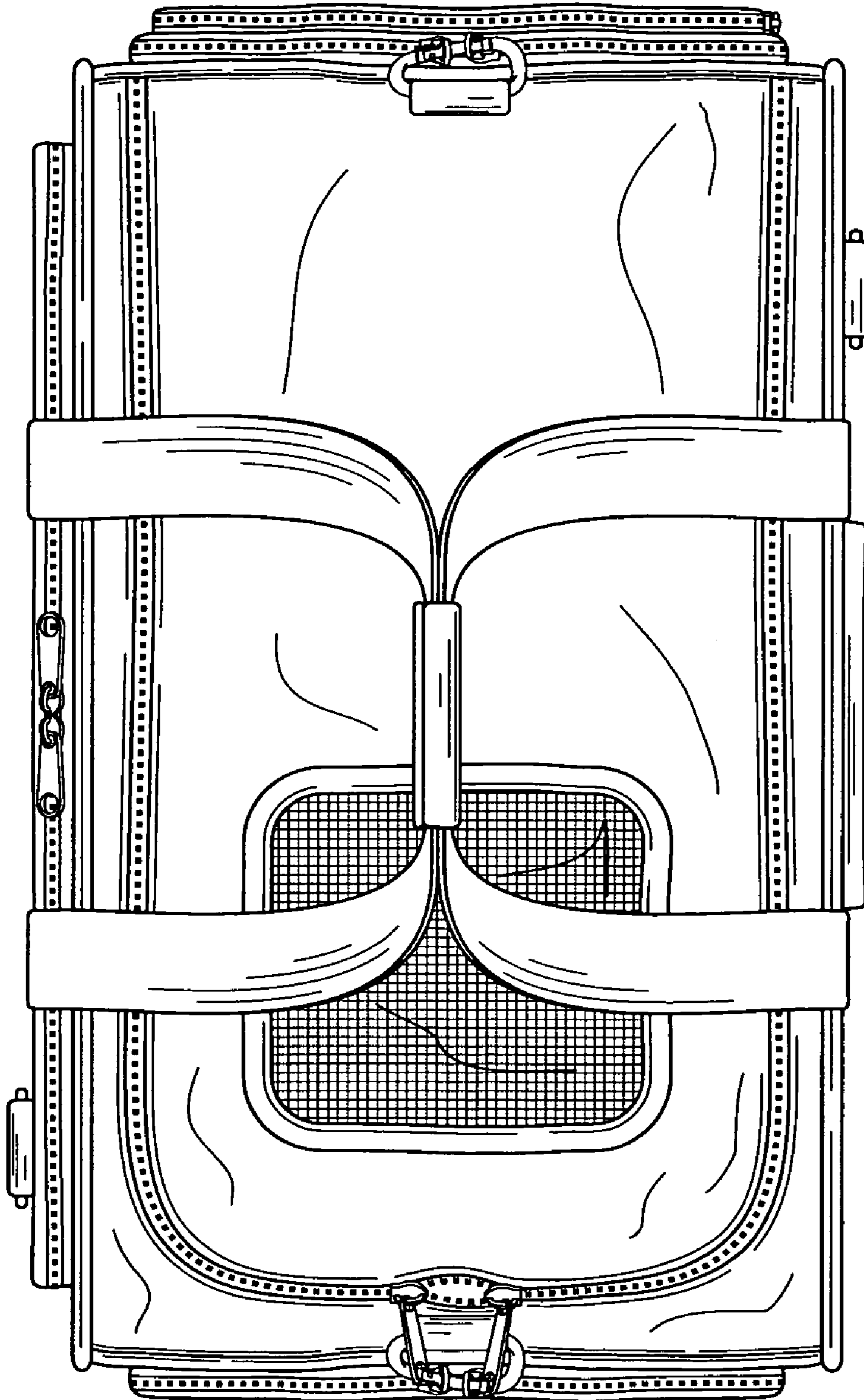


FIG. 13

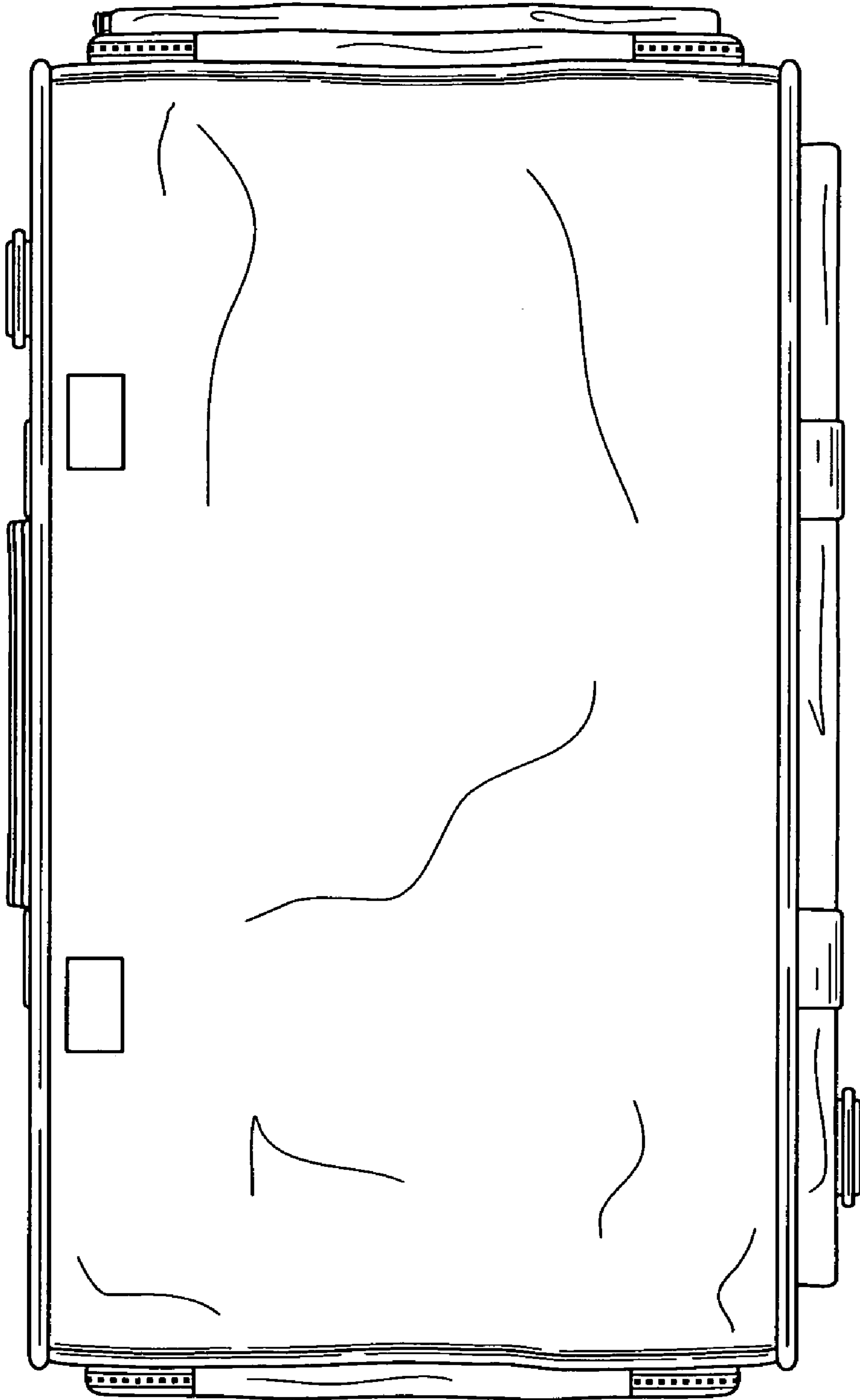


FIG. 14