



US00D662255S

(12) **United States Design Patent**
Kluś

(10) **Patent No.:** **US D662,255 S**
(45) **Date of Patent:** **** Jun. 19, 2012**

(54) **EXTERNAL HOUSING FOR LED-BASED
LINEAR LIGHTING APPARATUS**

(76) **Inventor:** **Sylwester Kluś, Kamionka (PL)**

(**) **Term:** **14 Years**

(21) **Appl. No.:** **29/405,663**

(22) **Filed:** **Nov. 4, 2011**

(51) **LOC (9) Cl.** **26-99**

(52) **U.S. Cl.** **D26/138**

(58) **Field of Classification Search** D26/113,
D26/71, 72, 73, 74, 75, 76, 78, 122, 121,
D26/120, 119, 118, 1, 80, 86, 87, 88, 89,
D26/90, 35, 36, 85, 62, 61, 63, 64, 65, 66,
D26/67, 68, 28, 31, 24, 25, 26, 60, 103, 104,
D26/105, 106, 109, 110, 93, 138, 140, 141,
D26/142, 143, 144, 145, 152, 153, 154, 155,
D26/41, 42, 51, 52, 50, 37, 128, 123, 124,
D26/125, 129, 131, 134, 135, 136, 2, 3; D13/179,
D13/180; D8/354, 382, 373, 377; 362/373,
362/294.02, 218, 510, 516, 410, 183, 396,
362/130, 190, 249.01, 249.09, 249.1, 249.11,
362/285, 413, 287, 220, 418, 419, 92, 249.08,
362/205, 184, 260, 399, 398, 397, 258, 374,
362/375, 216, 558, 561, 354, 249.06, 249.05,
362/132, 133, 249.03, 223, 241, 345, 327,
362/217.05, 247, 224, 297; 52/455; D25/124,
D25/125, 60, 119; 349/113, 61, 59, 60, 62,
349/64, 65, 67, 66; 248/558, 339, 557; 438/15;
345/102; D12/406; D10/114.1, 111; D11/145,
D11/144, 125, 121; 428/11; 257/96, 97,
257/98, 99

See application file for complete search history.

(56) **References Cited**

U.S. PATENT DOCUMENTS

D294,867 S * 3/1988 Meshulam D25/119
4,896,168 A * 1/1990 Newman et al. 347/245

4,945,675 A * 8/1990 Kendrick 47/33
5,040,347 A * 8/1991 Valvis 52/204.591
5,499,170 A * 3/1996 Gagne 362/84
5,724,909 A * 3/1998 Pitman et al. 116/202
6,074,074 A * 6/2000 Marcus 362/240
D445,211 S * 7/2001 Baker D26/76
6,276,634 B1 * 8/2001 Bodle 244/118.5
D450,234 S * 11/2001 Bosgoed D8/377
6,361,186 B1 * 3/2002 Slayden 362/241
6,523,986 B1 * 2/2003 Hoffmann 362/576
6,561,690 B2 * 5/2003 Balestrieri et al. 362/555
6,659,623 B2 * 12/2003 Friend 362/249.06
D489,830 S * 5/2004 Barnett D25/119
6,929,382 B2 * 8/2005 Kuisma 362/219
7,144,139 B2 * 12/2006 Kramer et al. 362/368
7,244,058 B2 * 7/2007 DiPenti et al. 362/547
7,331,689 B2 * 2/2008 Chen 362/240
7,347,606 B1 * 3/2008 Patten 362/565
D578,705 S * 10/2008 Aberg et al. D26/138
D621,090 S * 8/2010 Kluś D26/138
D623,342 S * 9/2010 Kluś D26/138
D623,343 S * 9/2010 Kluś D26/138
D625,463 S * 10/2010 Kluś D26/138
7,815,341 B2 * 10/2010 Steedly et al. 362/294

(Continued)

Primary Examiner — Kevin Rudzinski

(74) *Attorney, Agent, or Firm* — Mark Terry

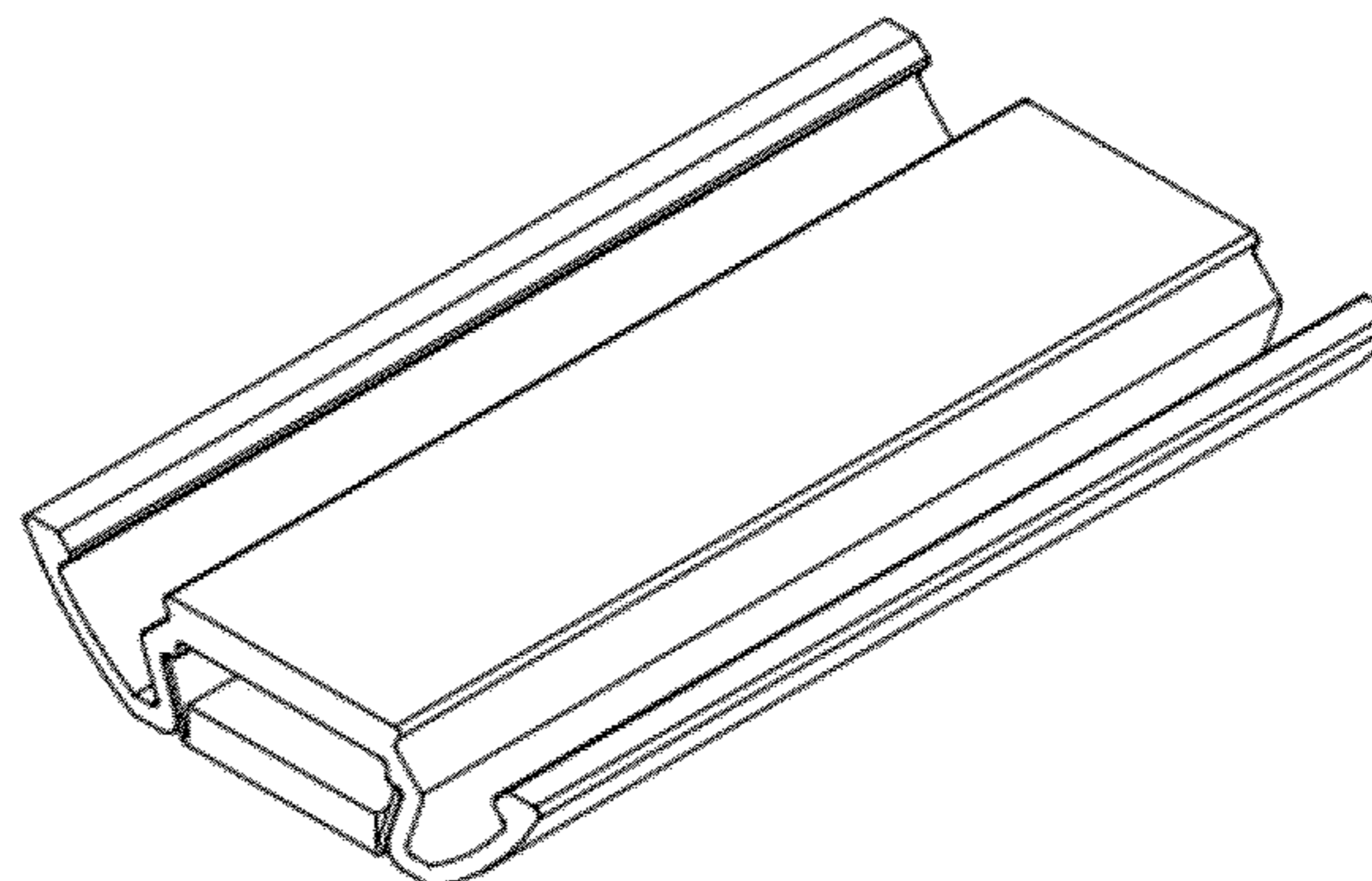
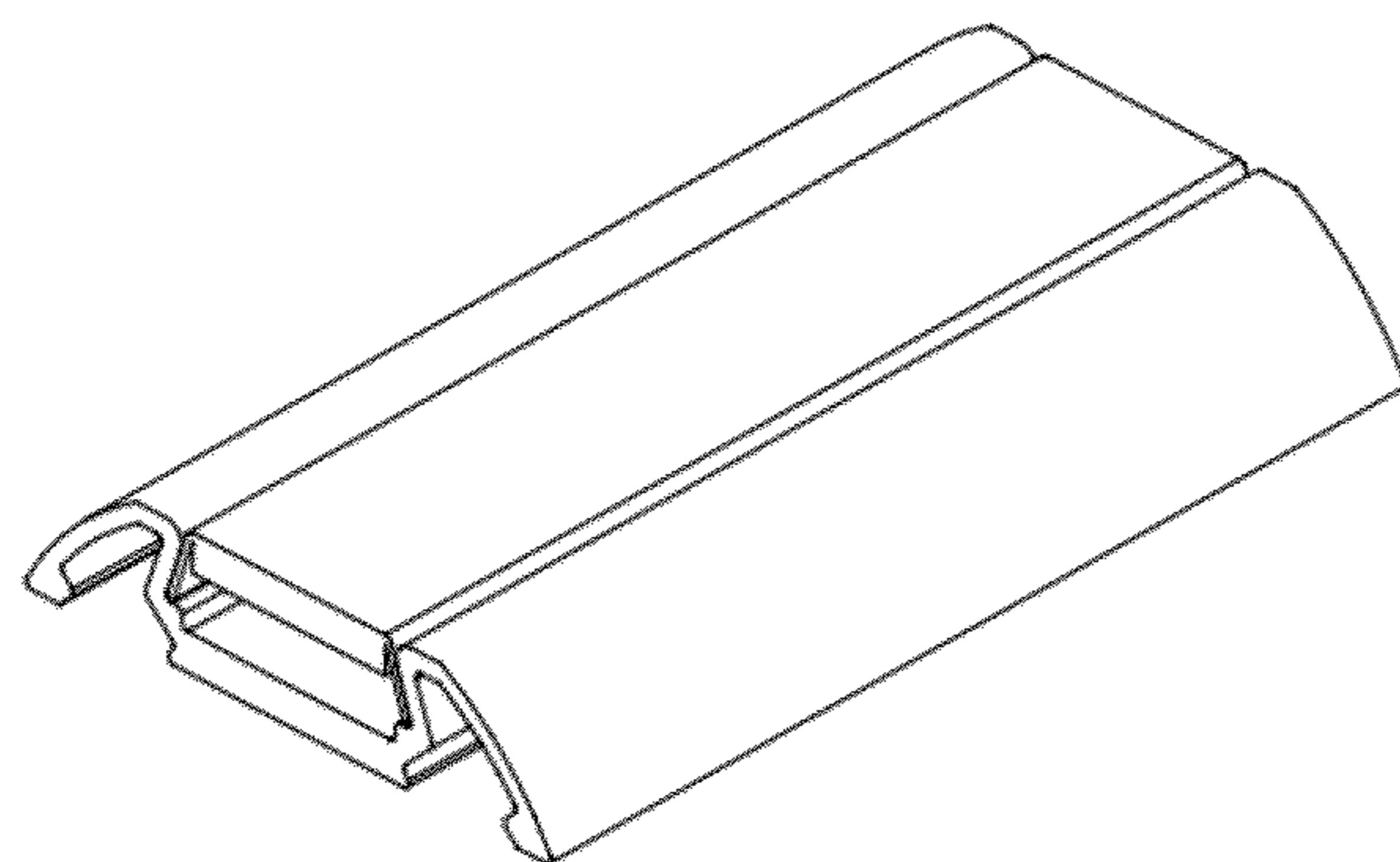
(57) **CLAIM**

The ornamental design for an external housing of an LED-based linear lighting apparatus, as shown and described.

DESCRIPTION

FIG. 1 is a top perspective view of the external housing of an LED-based linear lighting apparatus showing the new design; FIG. 2 is a bottom perspective view thereof; FIG. 3 is a front view thereof; FIG. 4 is a side view thereof; FIG. 5 is a bottom view thereof; and, FIG. 6 is a top view thereof.

1 Claim, 3 Drawing Sheets



US D662,255 S

Page 2

U.S. PATENT DOCUMENTS

7,926,985 B2 *	4/2011	Teng et al.	362/373	D649,686 S *	11/2011	Trzesniowski	D26/138
7,936,561 B1 *	5/2011	Lin	361/679.54	2009/0219713 A1 *	9/2009	Siemiet et al.	362/218

* cited by examiner

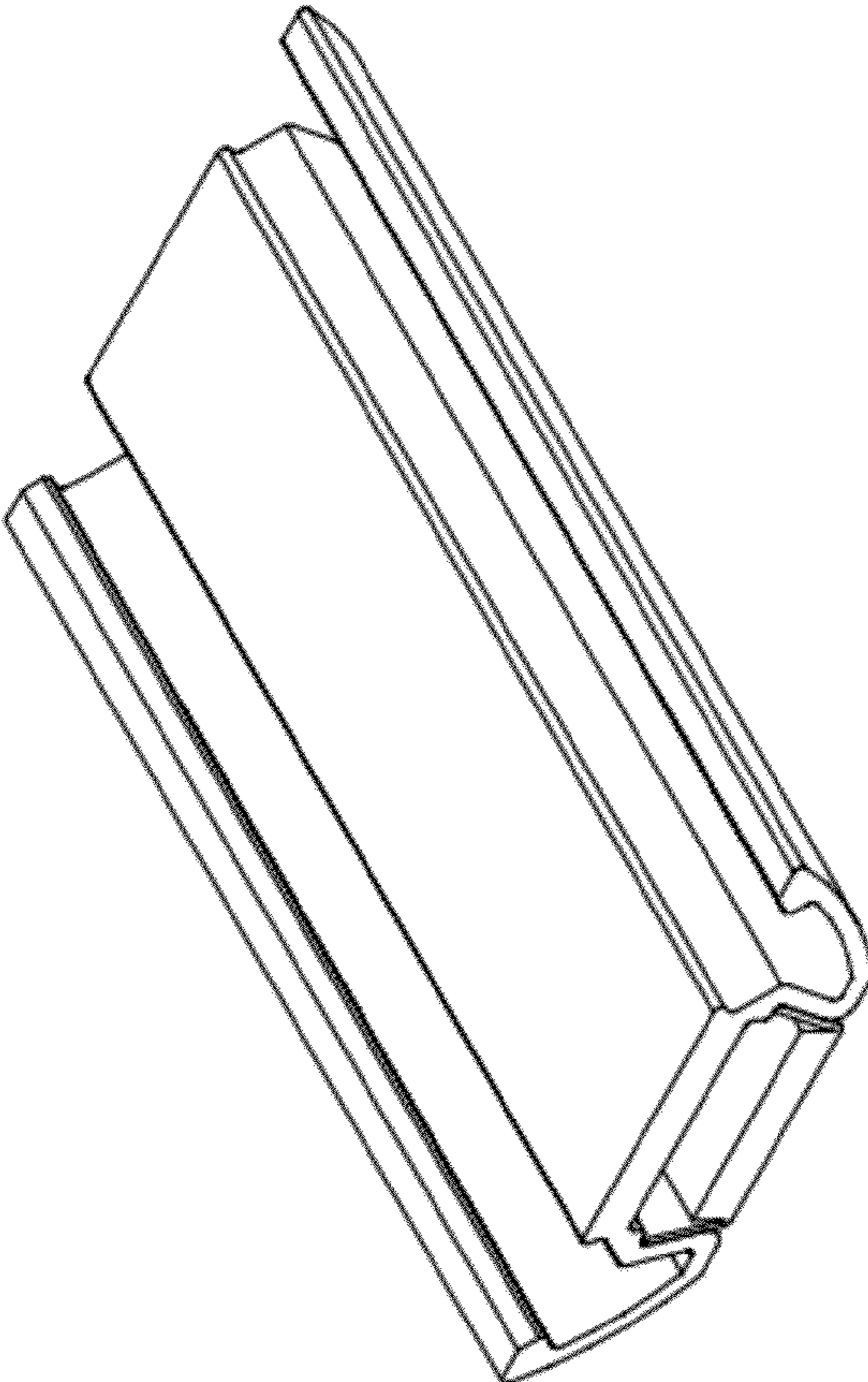


FIG. 1

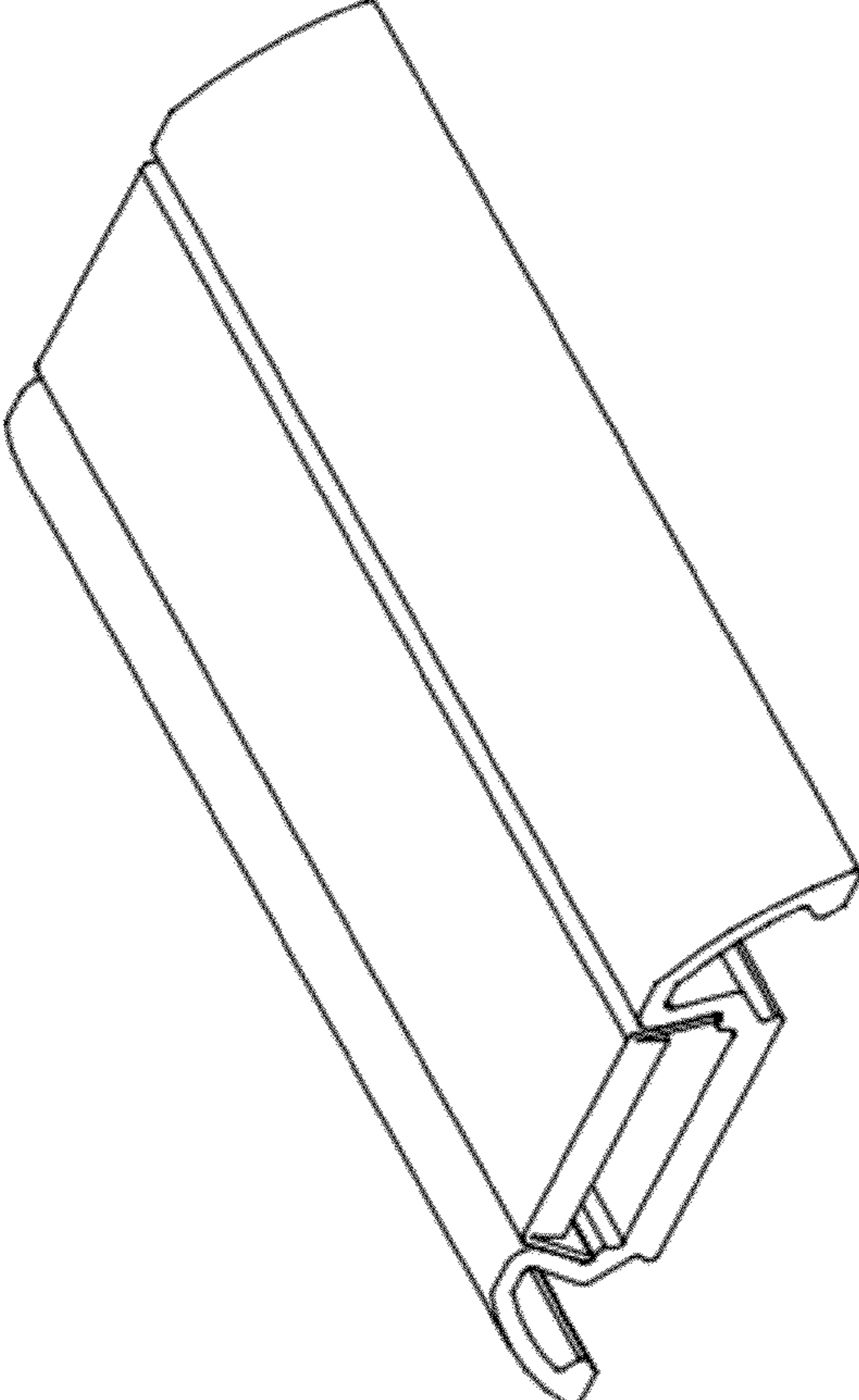


FIG. 2

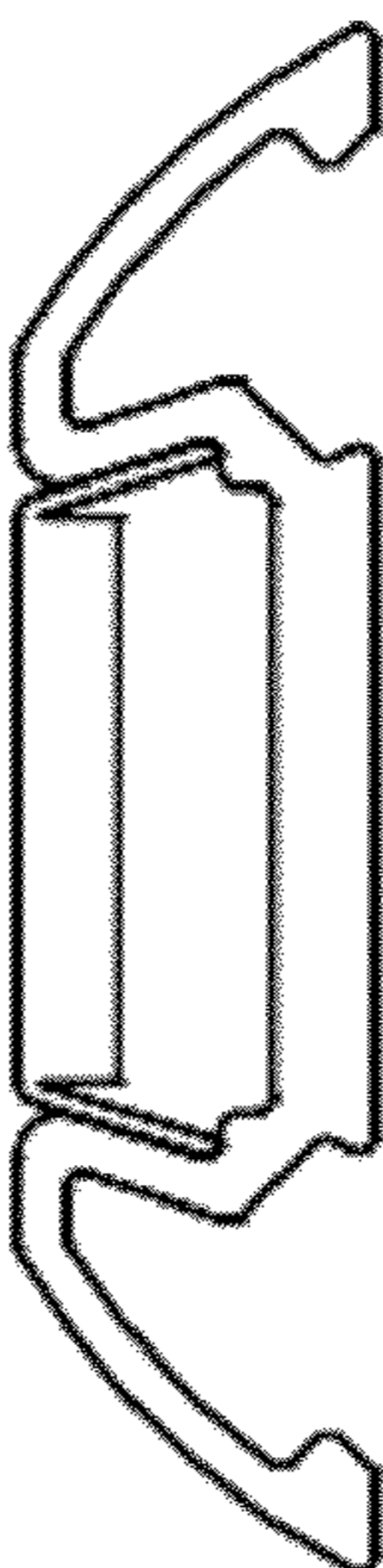


FIG. 3

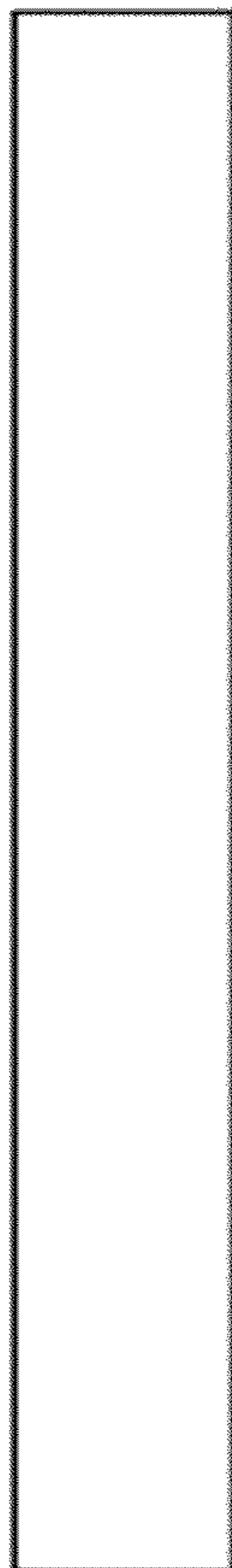


FIG. 4

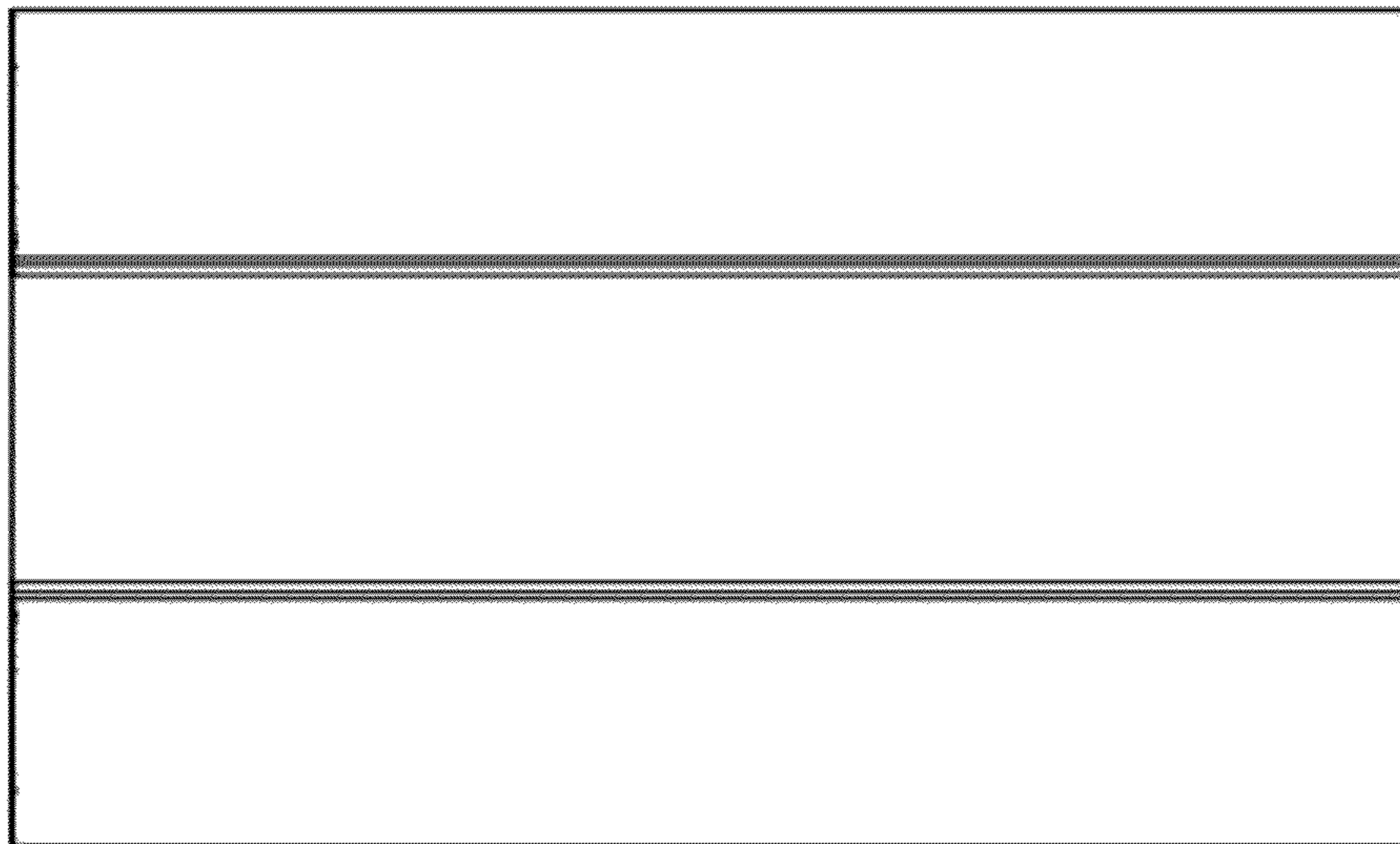


FIG. 6

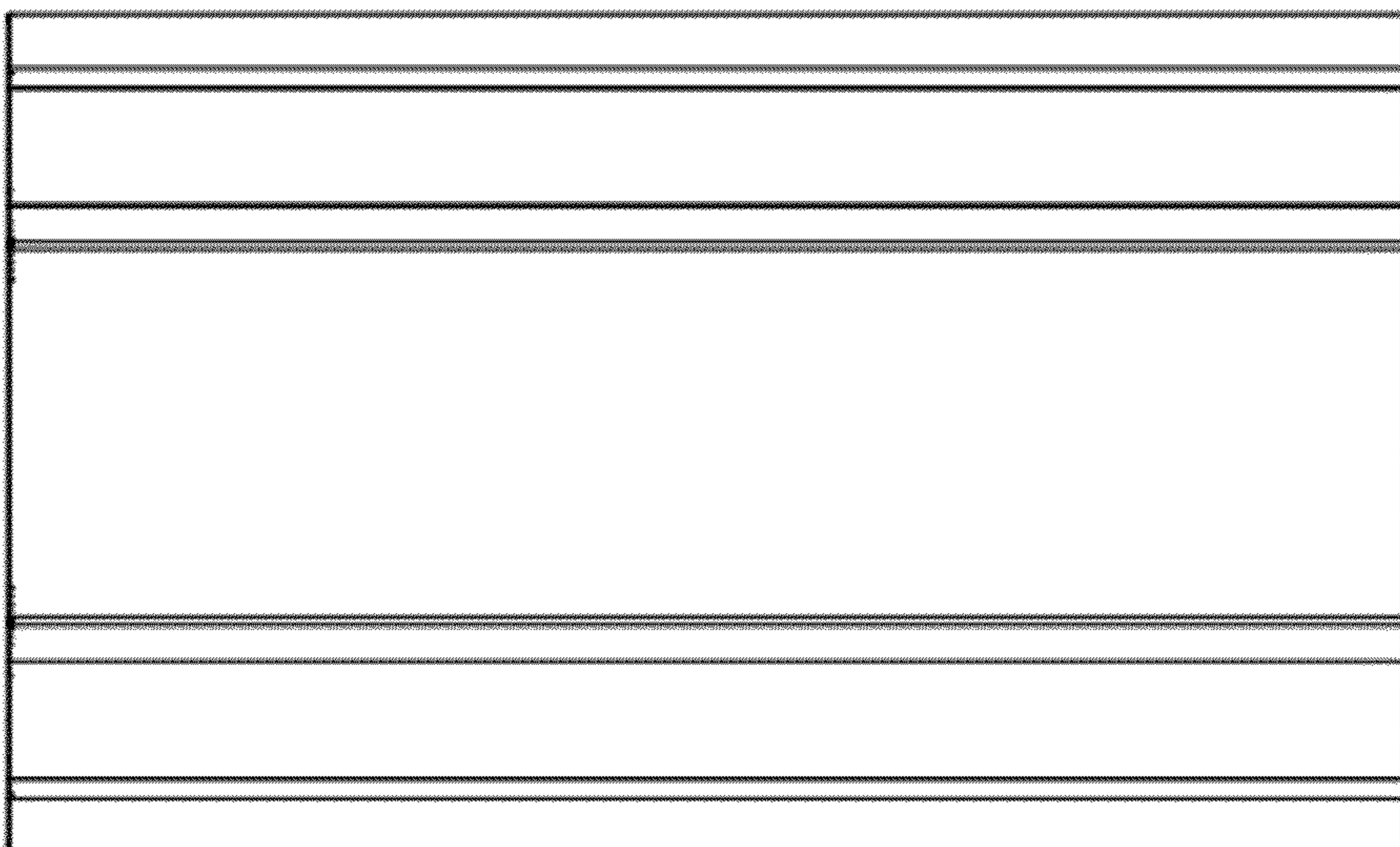


FIG. 5