



US00D662254S

(12) **United States Design Patent**
Lin et al.

(10) **Patent No.:** **US D662,254 S**
(45) **Date of Patent:** **** Jun. 19, 2012**

(54) **LIGHT EMITTING DEVICE**

FOREIGN PATENT DOCUMENTS

(75) Inventors: **Chung-Jen Lin**, Taipei (TW);
Hsian-Lung Tan, Zhongli (TW)

JP D1143793 6/2002
JP D1294634 2/2007

(73) Assignee: **Neobulb Technologies, Inc.** (BN)

OTHER PUBLICATIONS

(**) Term: **14 Years**

Office Action in related Taiwan patent application.
Cens.com, Sep. 2008, ISSN1682-7945.

(21) Appl. No.: **29/392,660**

* cited by examiner

(22) Filed: **May 25, 2011**

Primary Examiner — Clare E Heflin

(51) **LOC (9) Cl.** **26-03**

(74) *Attorney, Agent, or Firm* — Thomas, Kayden,
Horstemeyer & Risley, LLP.

(52) **U.S. Cl.** **D26/92**

(58) **Field of Classification Search** D26/61,
D26/63, 65, 67-71, 92; 362/249.01-249.06,
362/294, 373, 431

(57) **CLAIM**

The ornamental design for a light emitting device, as shown
and described.

See application file for complete search history.

(56) **References Cited**

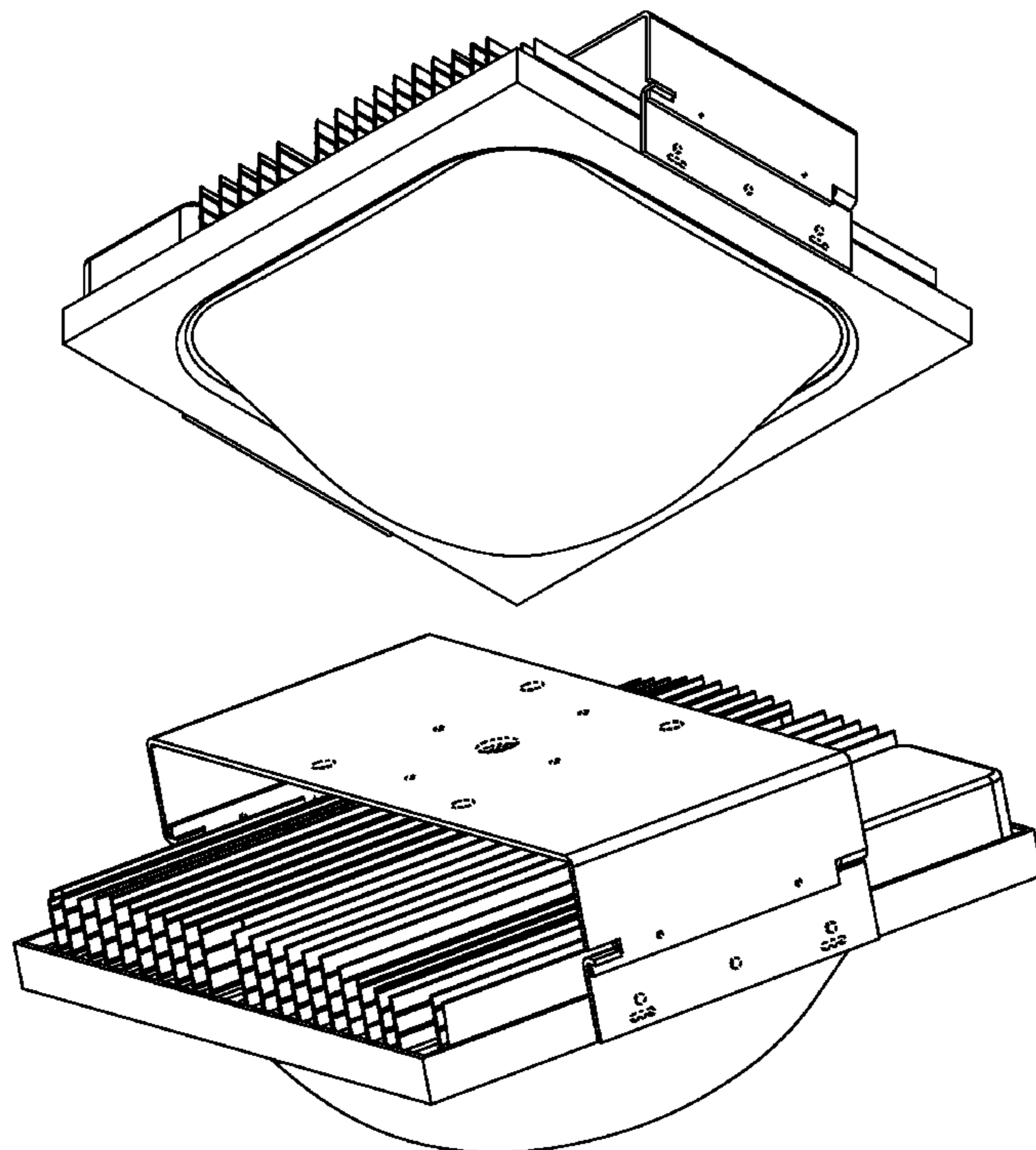
DESCRIPTION

U.S. PATENT DOCUMENTS

D191,062	S	*	8/1961	Gross	D26/71
D194,991	S	*	4/1963	Hisky	D26/71
D239,861	S	*	5/1976	Van Steenhoven	D26/71
D264,135	S	*	4/1982	Zwillich et al.	D26/71
D385,643	S	*	10/1997	Brohard et al.	D26/71
D572,384	S		7/2008	Park		
7,393,124	B1	*	7/2008	Williams	362/431
7,637,642	B2	*	12/2009	Kinnune et al.	362/368
7,762,690	B2	*	7/2010	Li et al.	362/294
7,771,090	B2	*	8/2010	Chang et al.	362/294
7,922,372	B2	*	4/2011	Li	362/373
D641,908	S	*	7/2011	McKee	D26/71
D644,370	S	*	8/2011	Lickiss	D26/85
D645,594	S	*	9/2011	Grawe	D26/63

FIG. 1 is a perspective view of a light emitting device showing
our design;
FIG. 2 is another perspective view thereof;
FIG. 3 is a front view thereof;
FIG. 4 is a rear view thereof;
FIG. 5 is a left view thereof;
FIG. 6 is a right view thereof;
FIG. 7 is a top view thereof; and,
FIG. 8 is a bottom view thereof.
The broken lines illustrate portions of the light emitting
device that form no part of the claimed design.

1 Claim, 8 Drawing Sheets



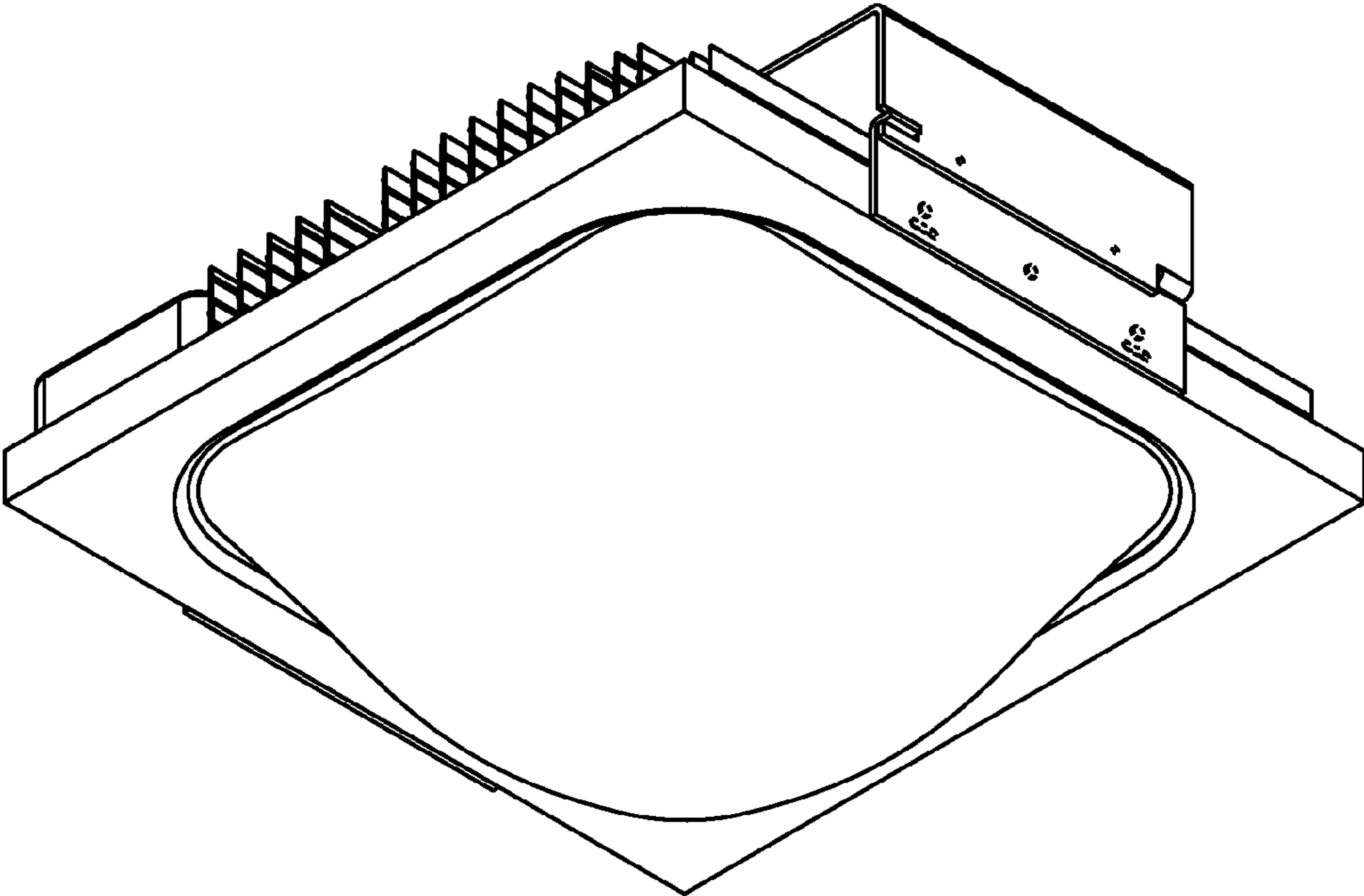


FIG. 1

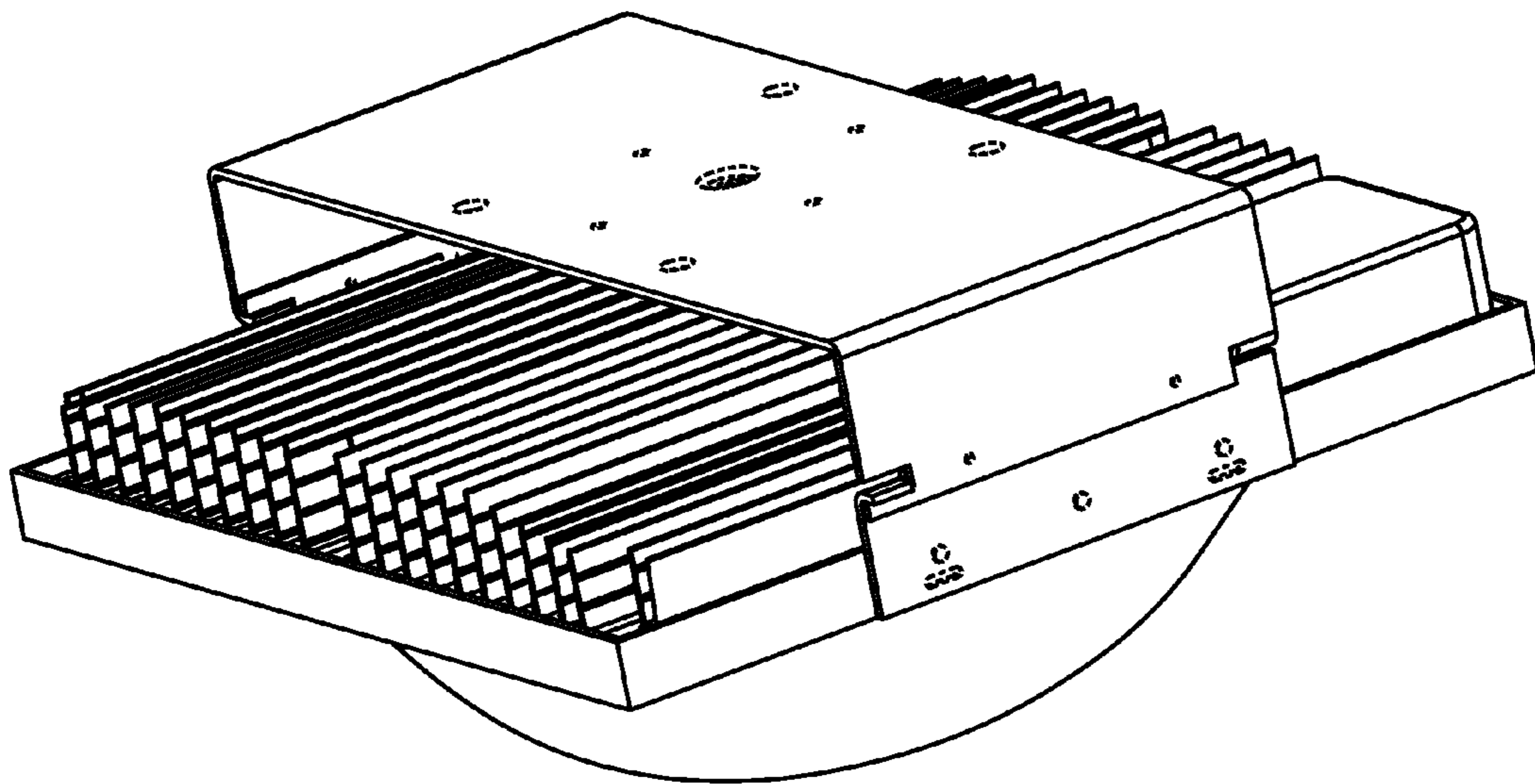


FIG.2

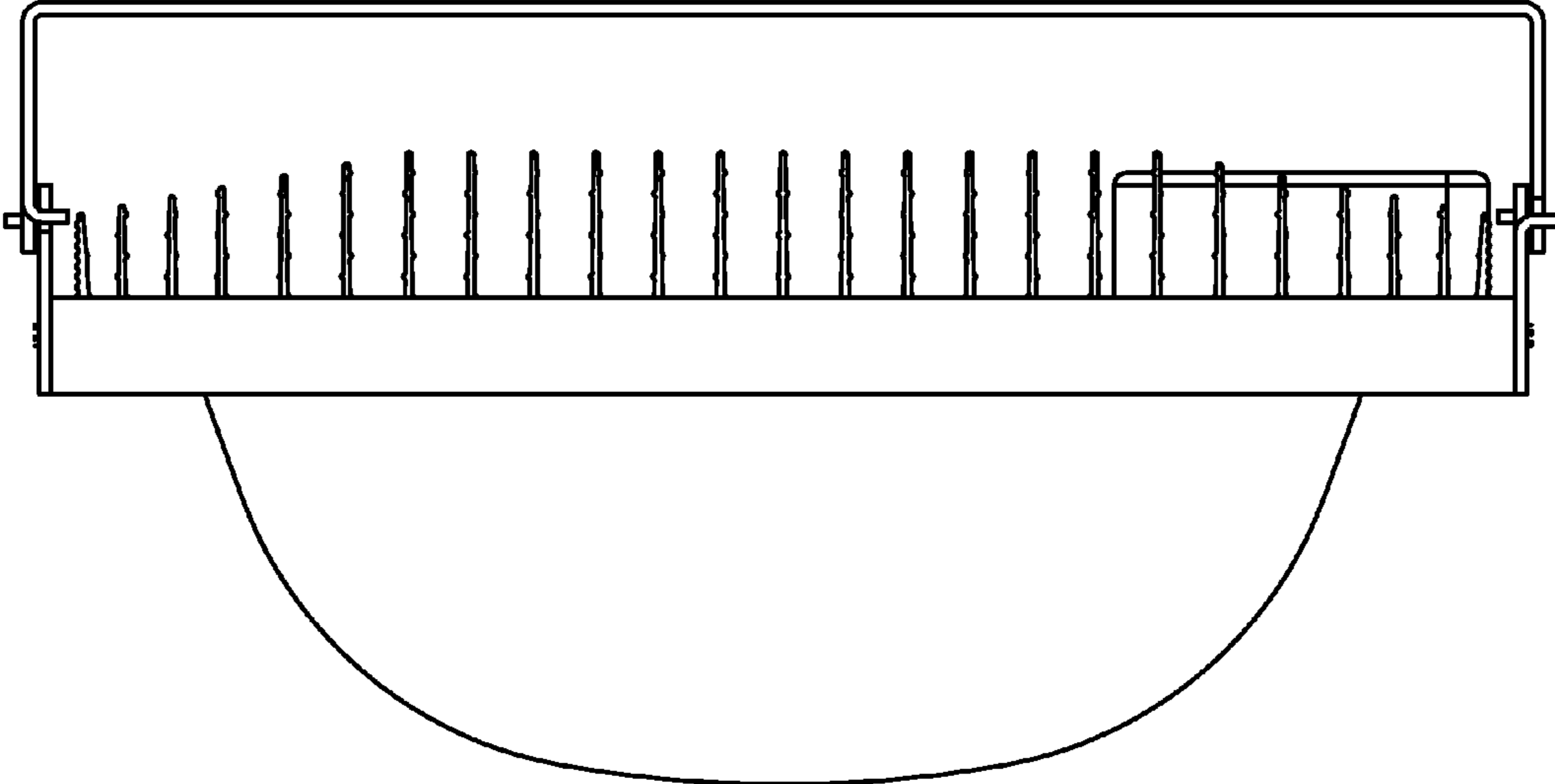


FIG.3

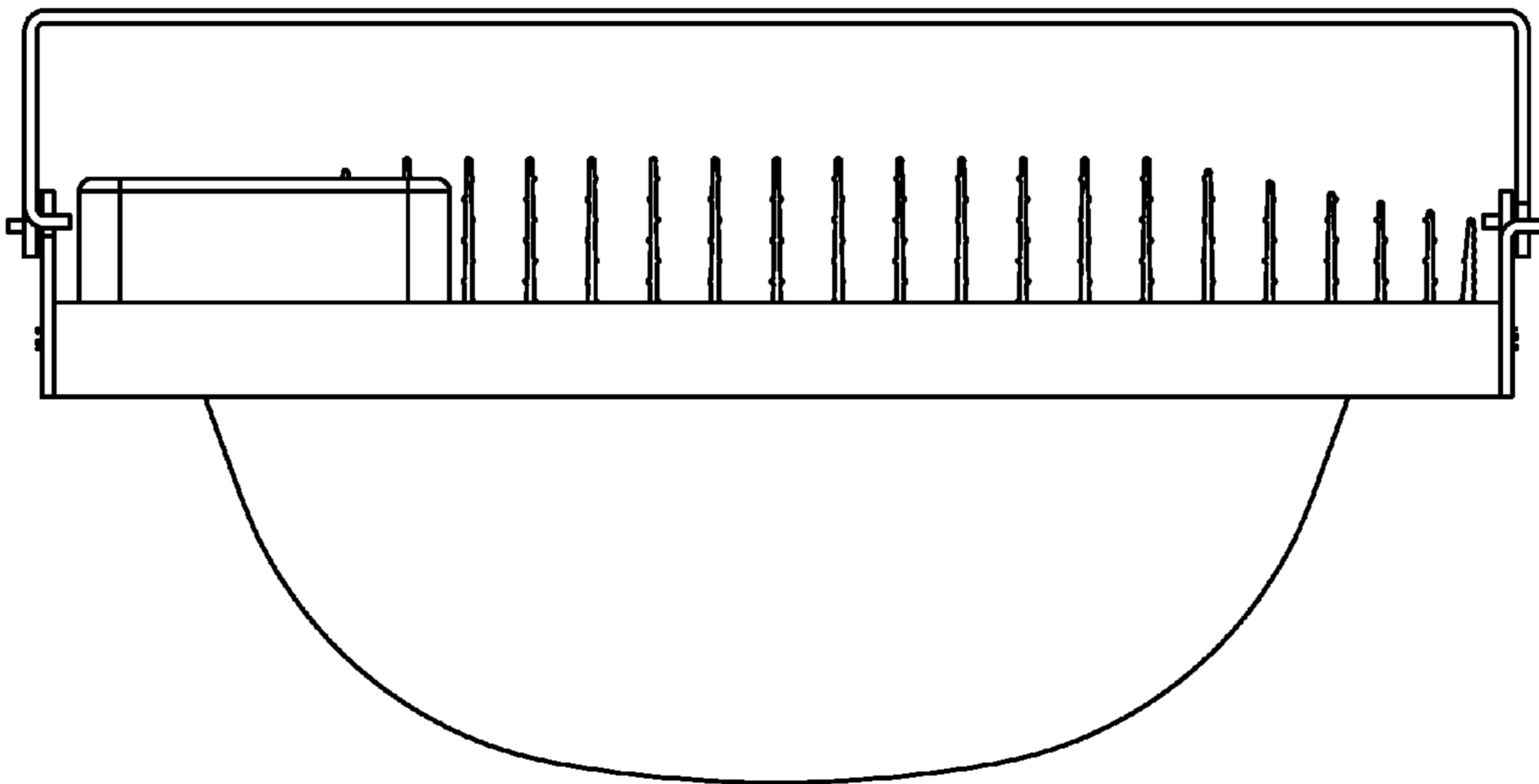


FIG.4

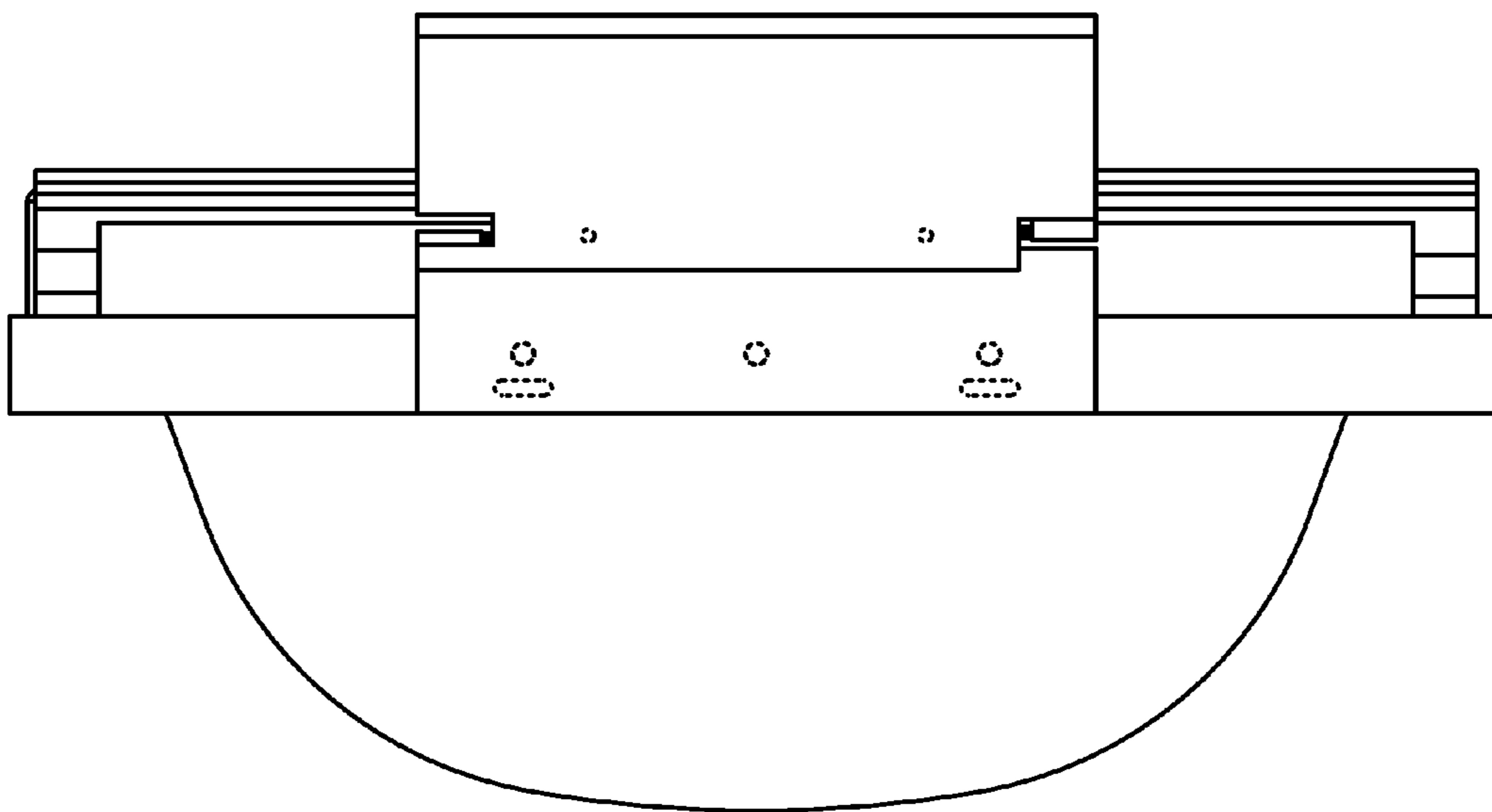


Fig.5

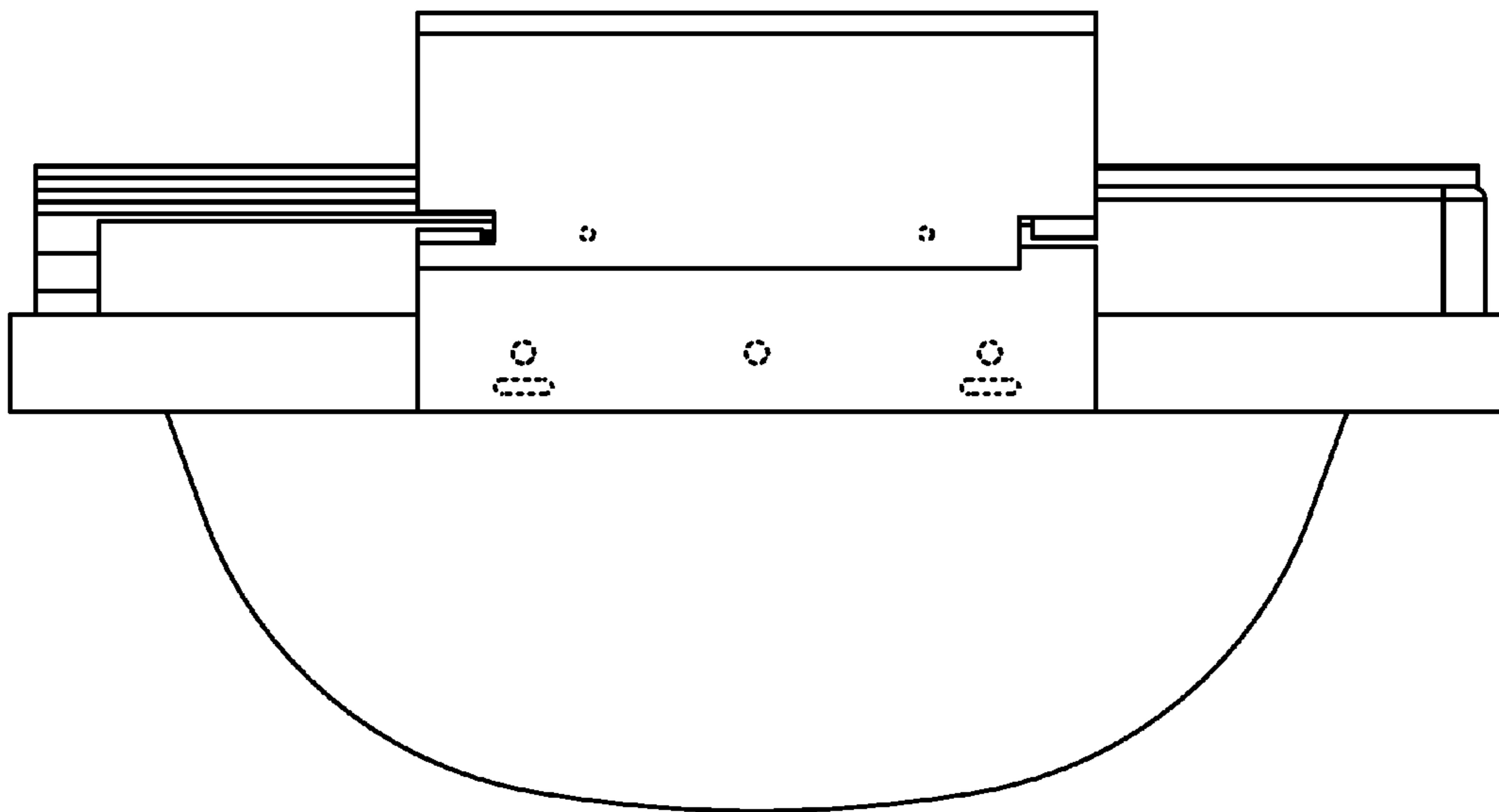


Fig.6

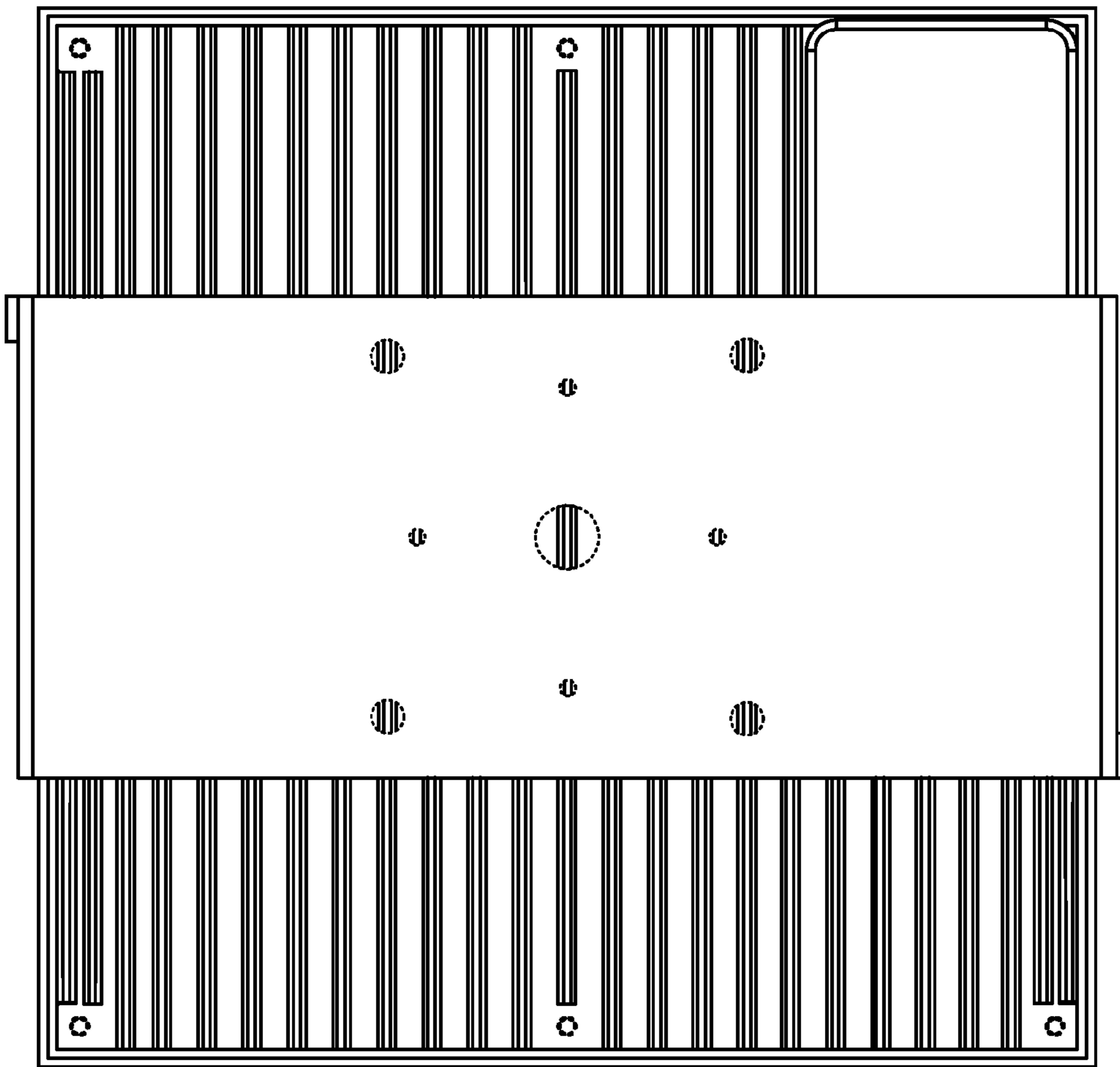


Fig. 7

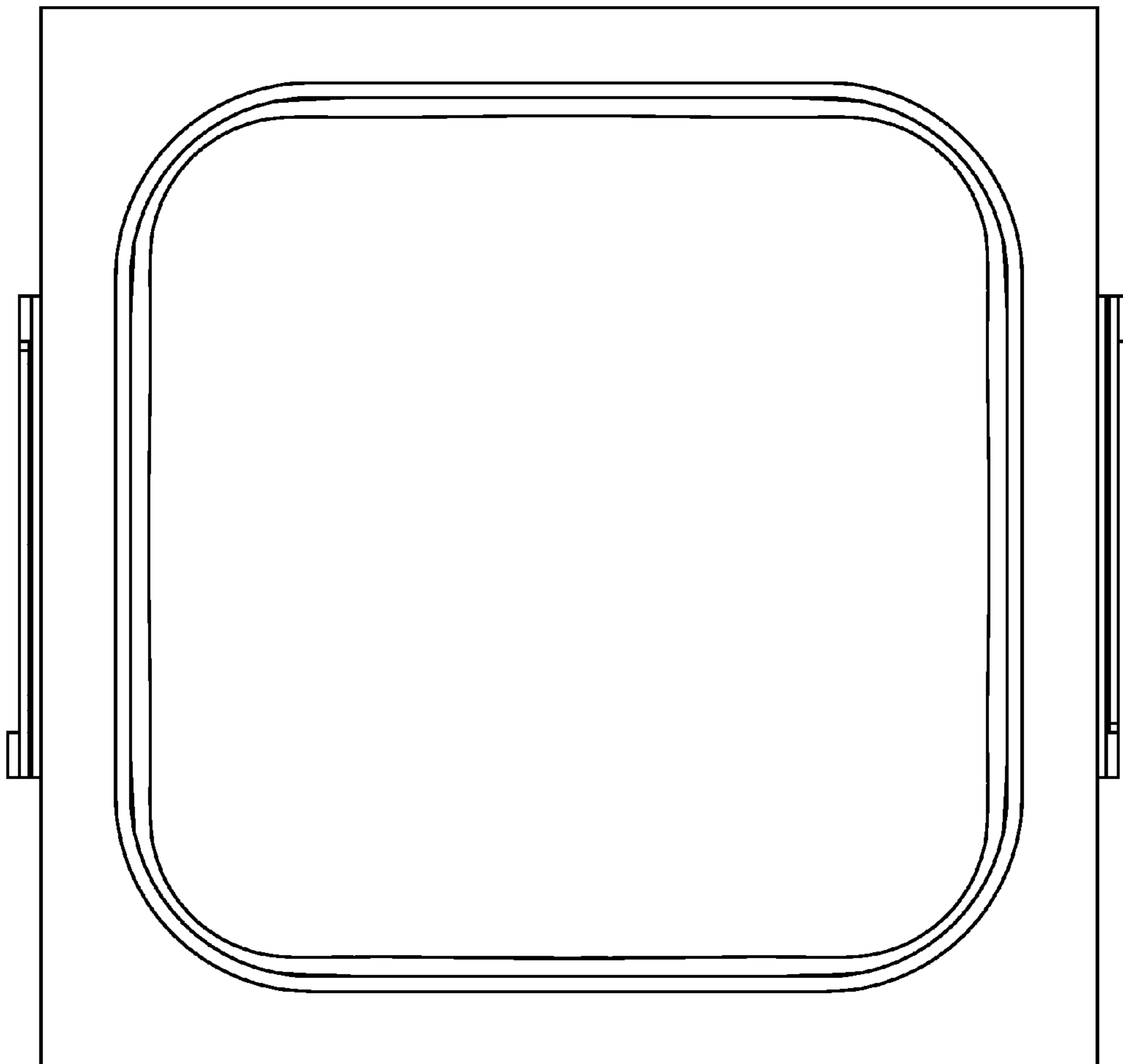


Fig.8