

US00D662249S

(12) **United States Design Patent**
Wauters

(10) **Patent No.:** **US D662,249 S**
(45) **Date of Patent:** **** Jun. 19, 2012**

(54) **LUMINAIRE**

(75) Inventor: **Tom Wauters**, Mortsel (BE)

(73) Assignee: **Koninklijke Philips Electronics N.V.**,
Eindhoven (NL)

(**) Term: **14 Years**

(21) Appl. No.: **29/392,068**

(22) Filed: **May 17, 2011**

(30) **Foreign Application Priority Data**

Nov. 18, 2010 (EM) 001783192-0001

(51) **LOC (9) Cl.** **26-03**

(52) **U.S. Cl.** **D26/85**

(58) **Field of Classification Search** D26/72,
D26/85-92; 362/147, 432
See application file for complete search history.

(56) **References Cited**

U.S. PATENT DOCUMENTS

3,798,438 A * 3/1974 Menichetti 362/282
D231,680 S * 5/1974 Keller D26/68

D231,942 S * 6/1974 Cincotta et al. D26/75
D239,860 S * 5/1976 Scarpa D26/68
D255,106 S * 5/1980 Bodenrader et al. D26/85
D346,459 S * 4/1994 King D26/84
D397,486 S * 8/1998 Engle et al. D26/87
D565,234 S * 3/2008 Pfund et al. D26/87
D604,005 S * 11/2009 Chan D26/87
D626,679 S * 11/2010 Verelst D26/85
D639,994 S * 6/2011 Wauters D26/83
D643,962 S * 8/2011 Verelst D26/83
D646,423 S * 10/2011 Chiu D26/85

* cited by examiner

Primary Examiner — Clare E Heflin

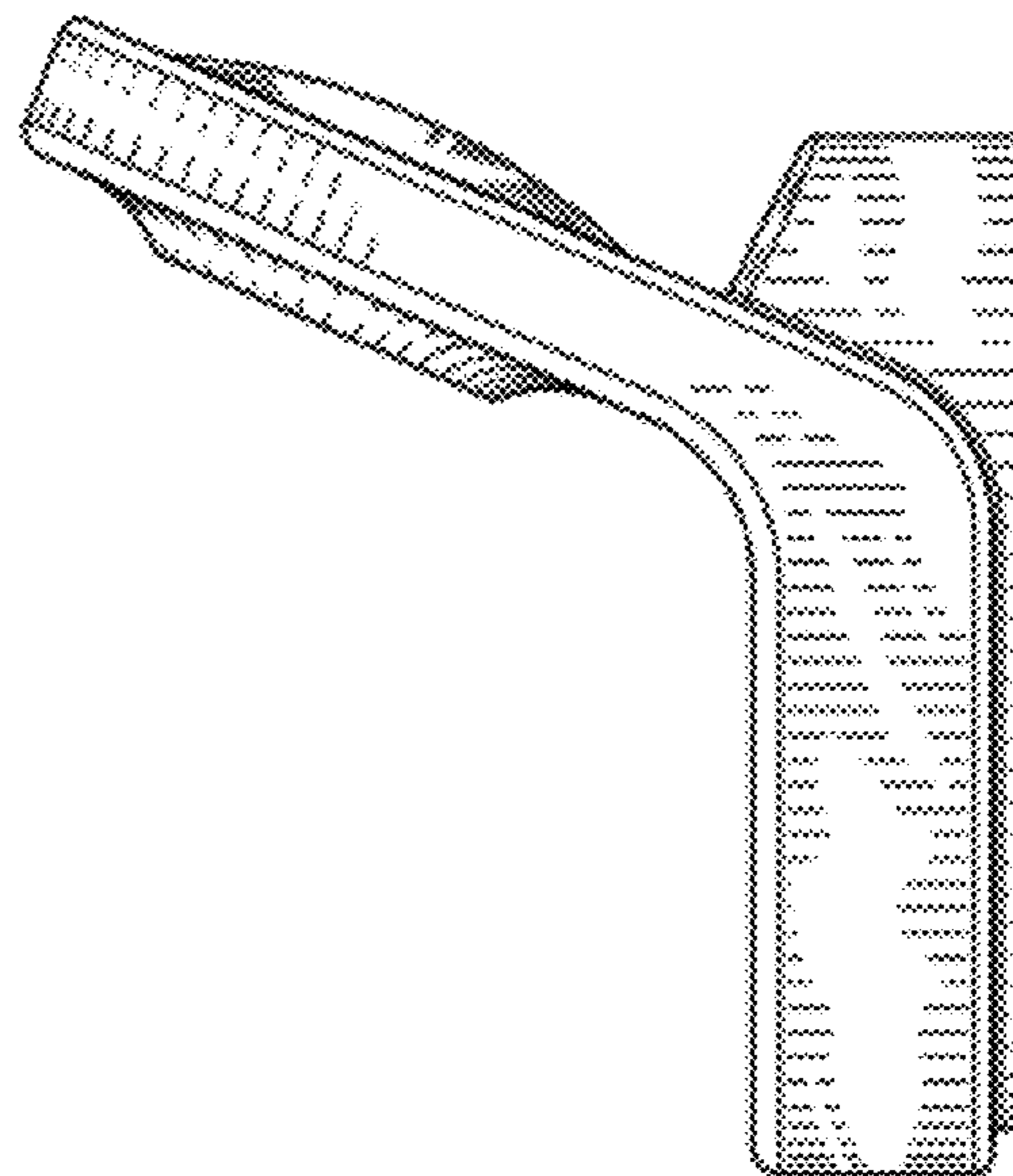
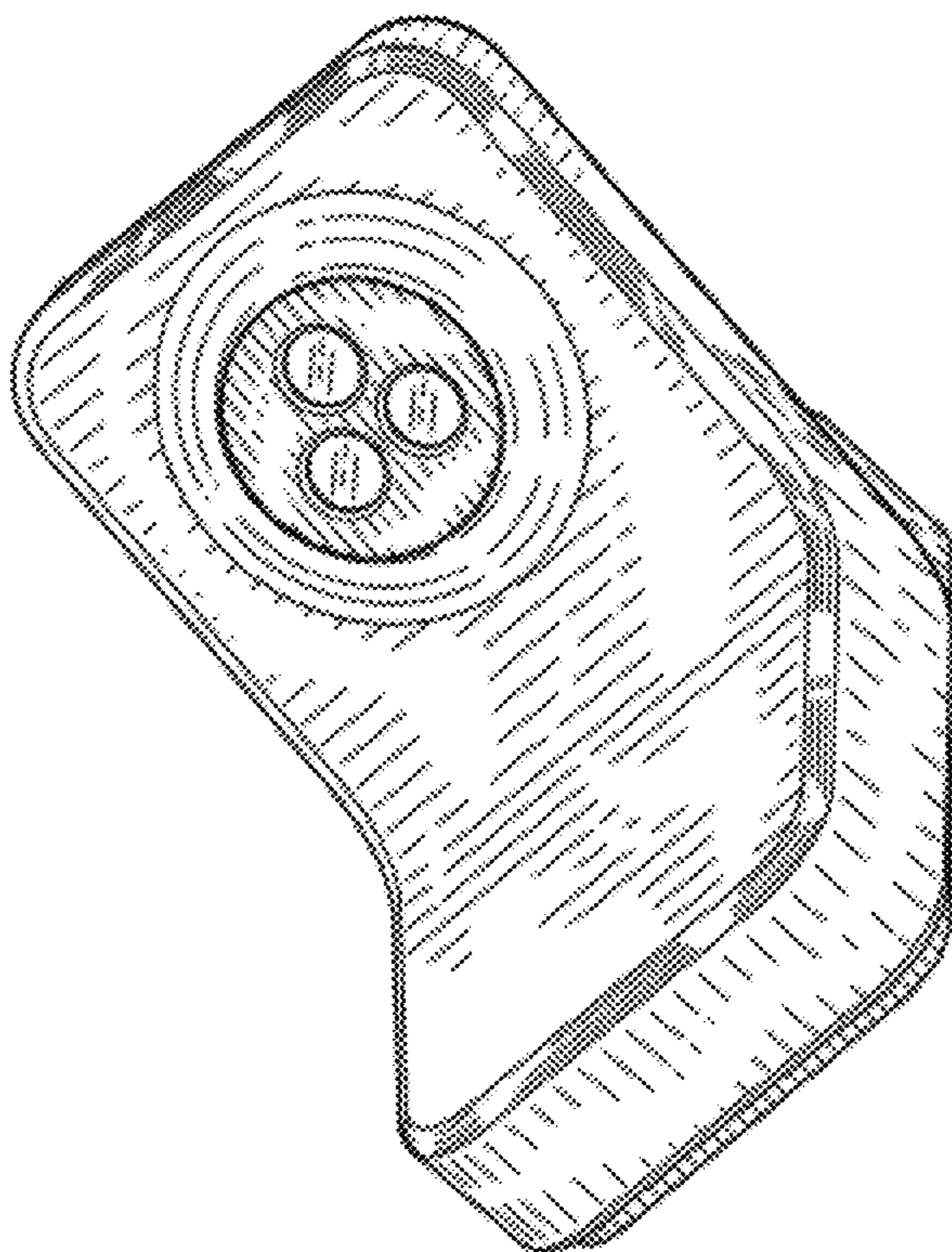
(57) **CLAIM**

The ornamental design for a luminaire, as shown.

DESCRIPTION

FIG. 1 is a perspective view showing my design;
FIG. 2 is a front elevational view thereof;
FIG. 3 is a rear elevational view thereof;
FIG. 4 is a right side elevational view thereof;
FIG. 5 is a left side elevational view thereof;
FIG. 6 is a top plan view thereof; and,
FIG. 7 is a bottom plan view thereof.

1 Claim, 4 Drawing Sheets



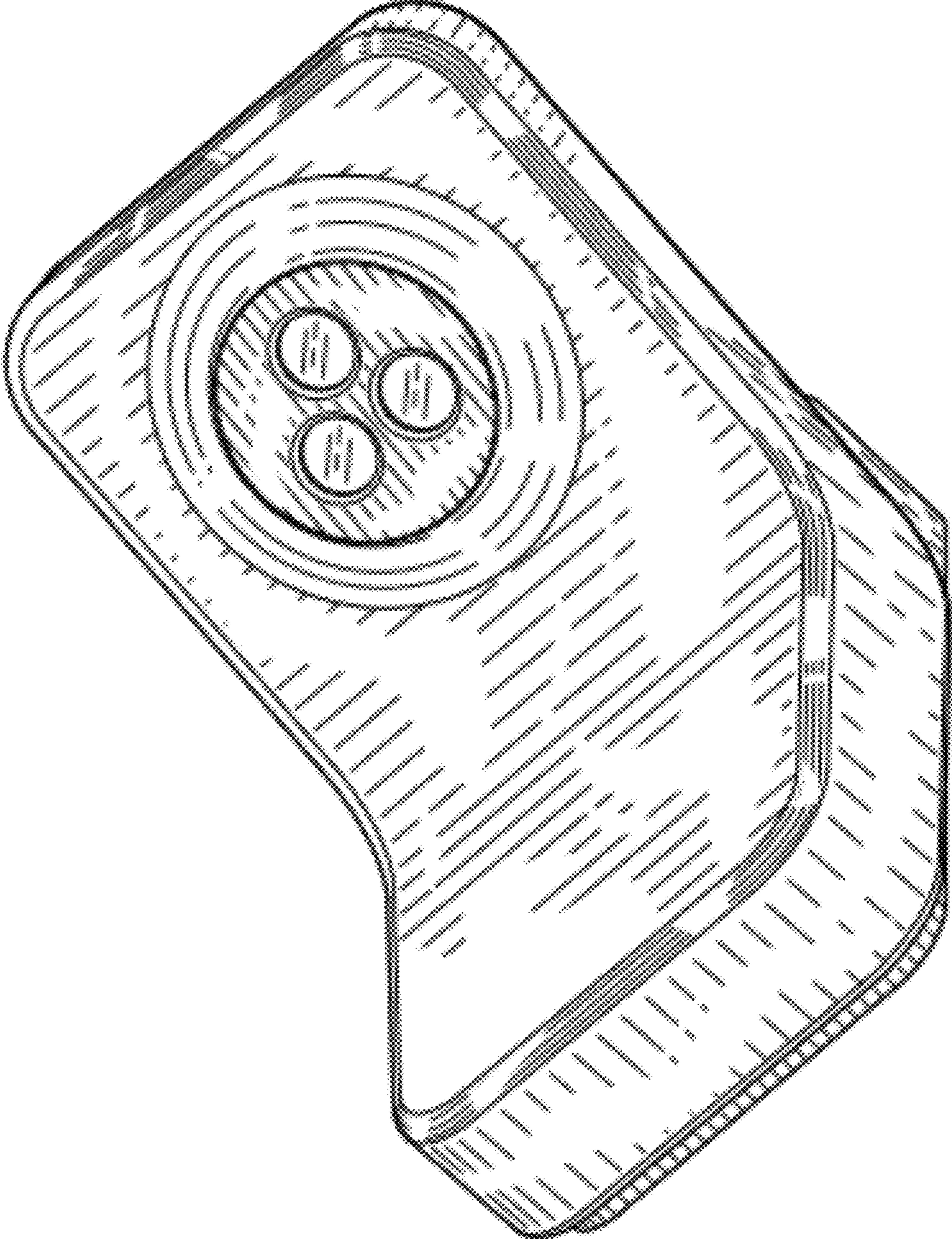


FIG. 1

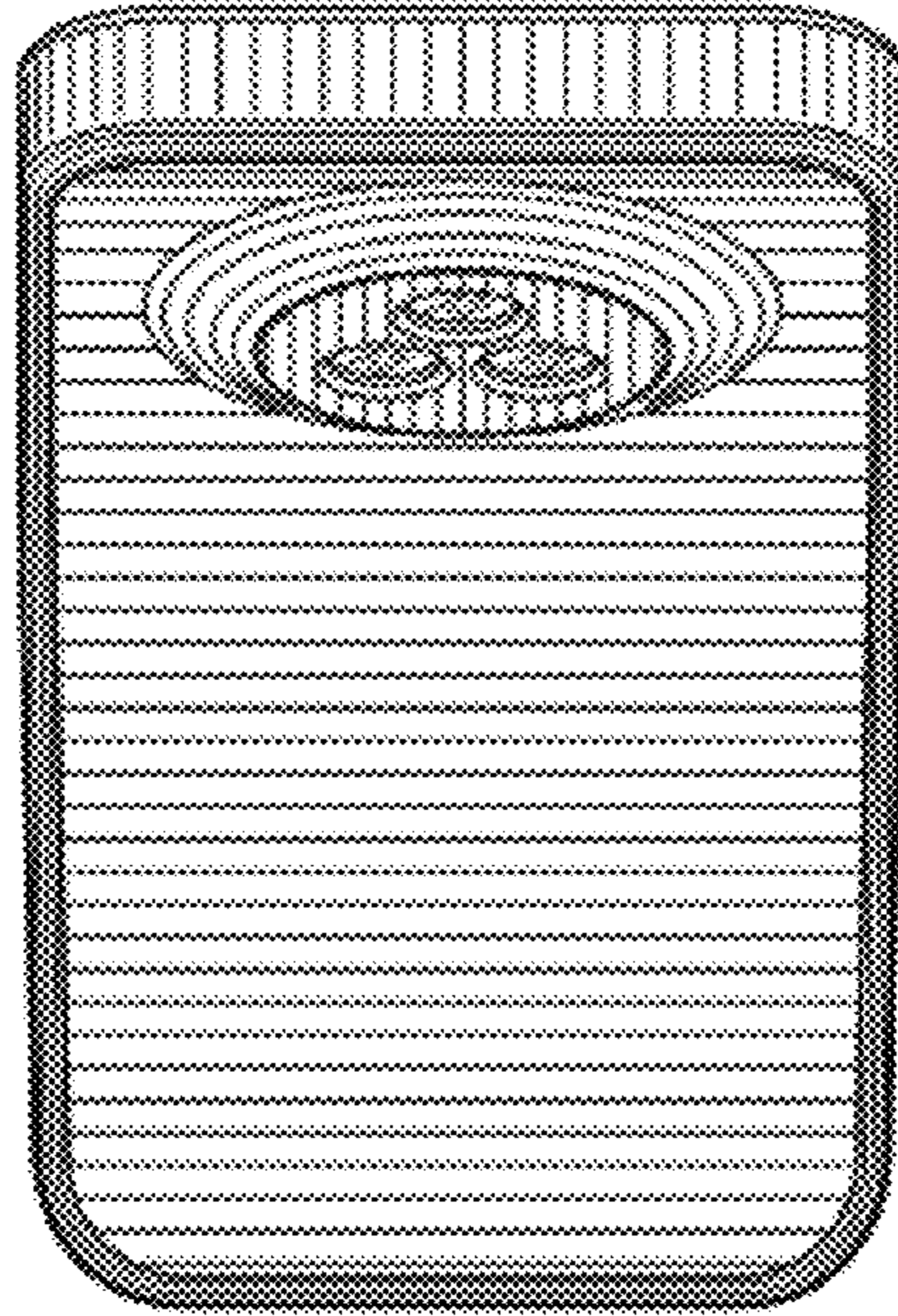


FIG. 2

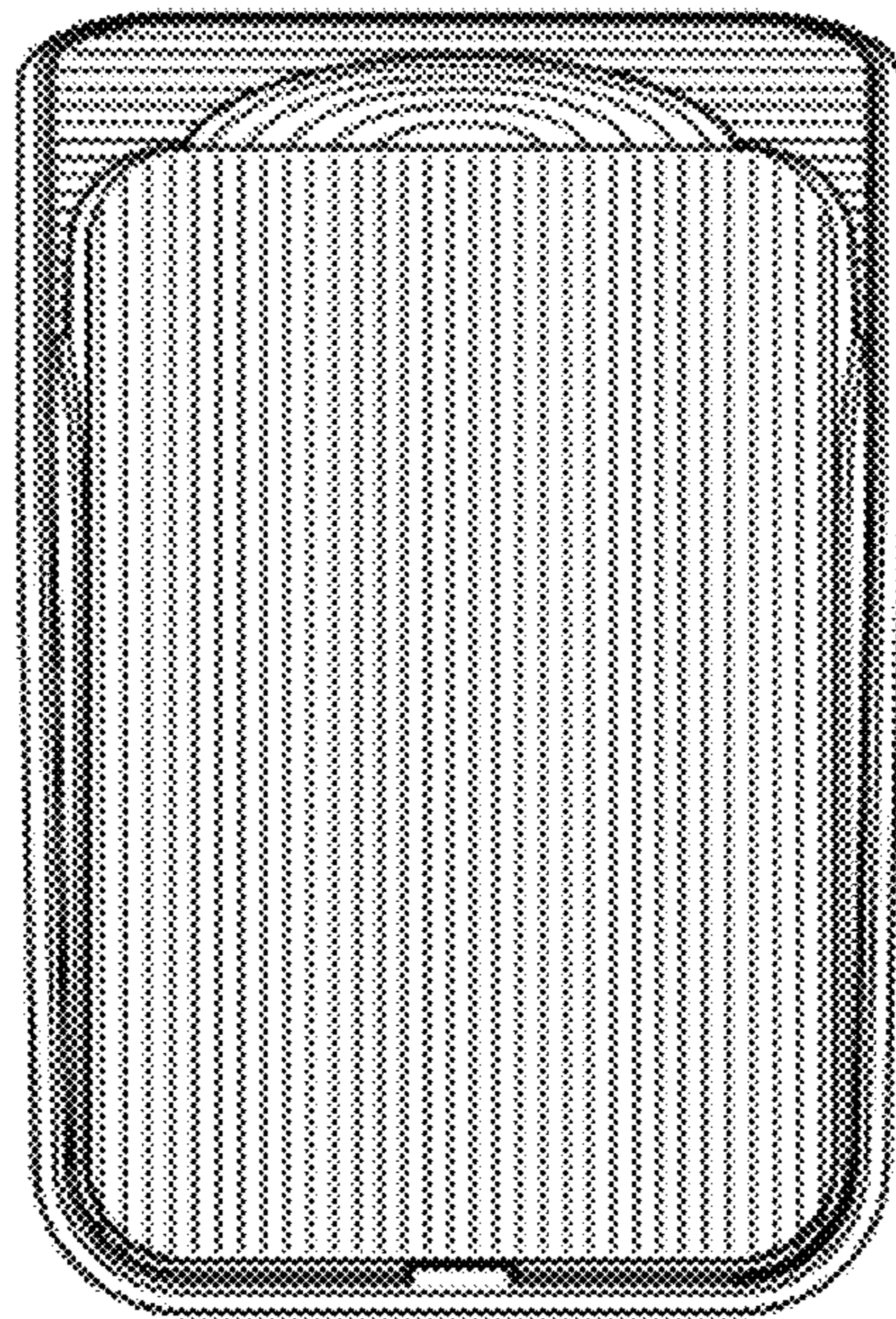


FIG. 3

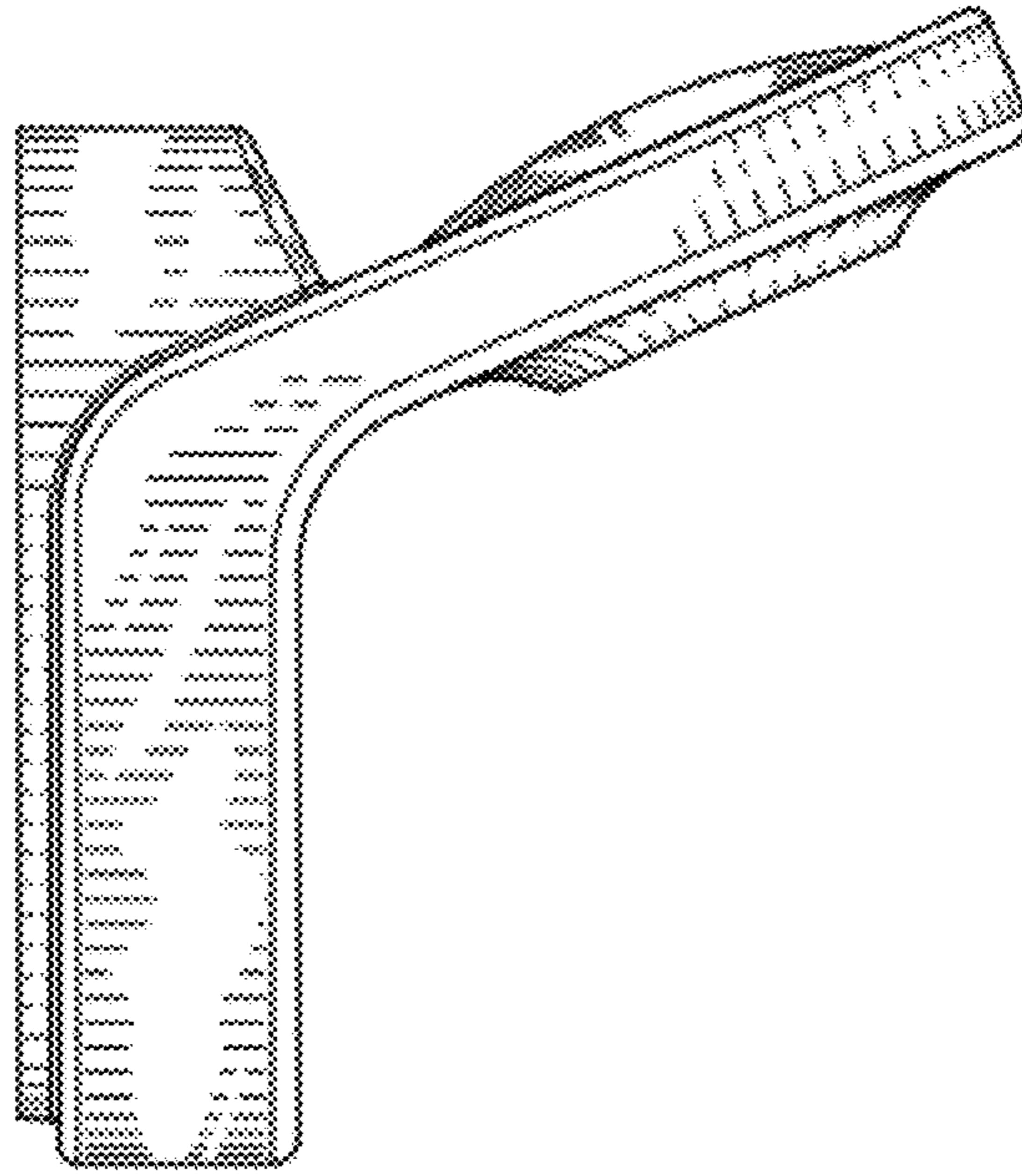


FIG. 4

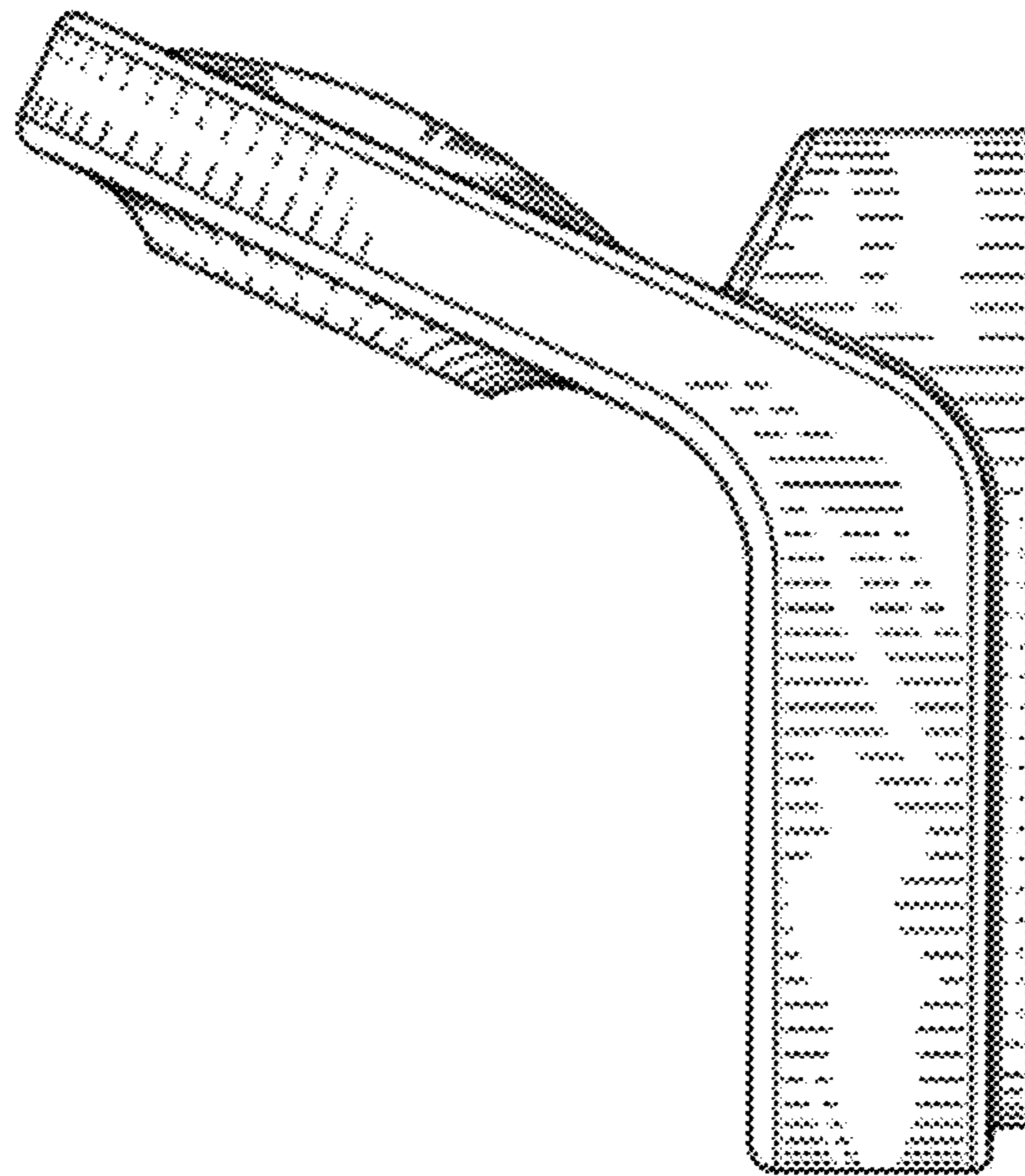


FIG. 5

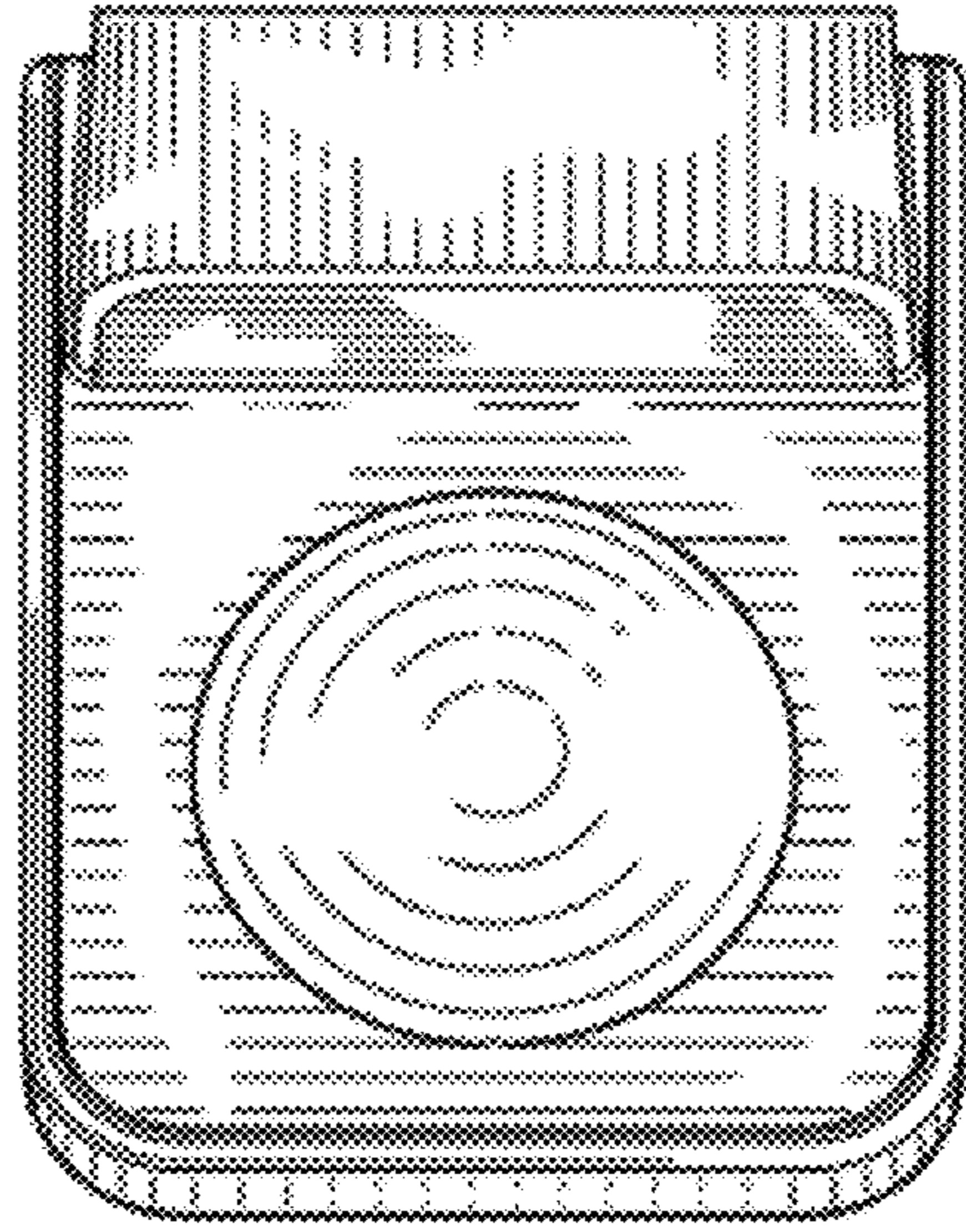


FIG. 6

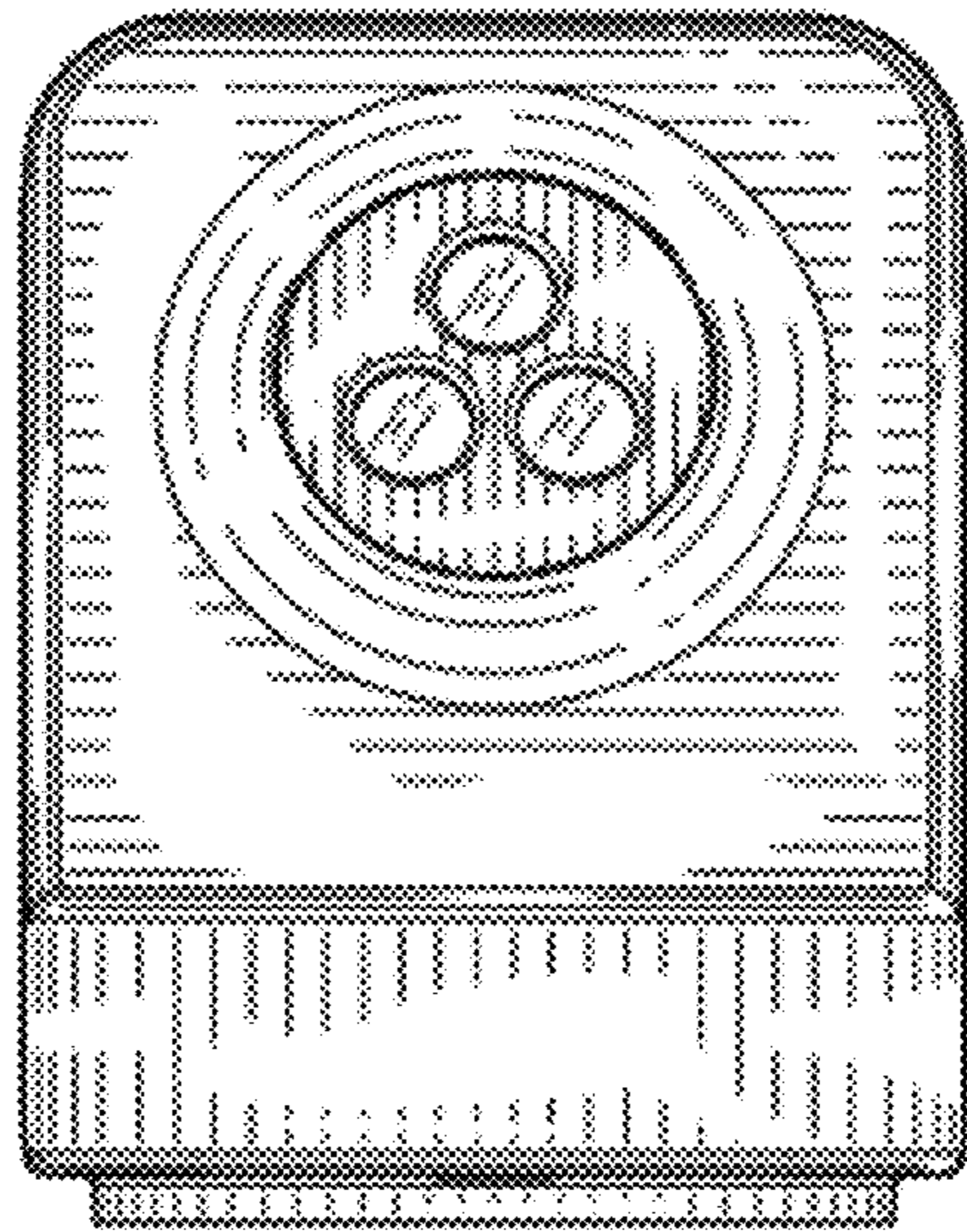


FIG. 7