

US00D662248S

(12) **United States Design Patent**  
**Wauters**

(10) **Patent No.:** **US D662,248 S**  
(45) **Date of Patent:** **\*\* Jun. 19, 2012**

(54) **LUMINAIRE**

(75) **Inventor:** **Tom Wauters**, Mortsel (BE)

(73) **Assignee:** **Koninklijke Philips Electronics N.V.**,  
Eindhoven (NL)

(\*\*) **Term:** **14 Years**

(21) **Appl. No.:** **29/392,074**

(22) **Filed:** **May 17, 2011**

(30) **Foreign Application Priority Data**

Nov. 18, 2010 (EM) ..... 001783192-0004

(51) **LOC (9) Cl.** ..... **26-03**

(52) **U.S. Cl.** ..... **D26/83**

(58) **Field of Classification Search** ..... D26/61,  
D26/63, 76, 80, 81, 83-89; 362/147, 404-408,  
362/488, 490, 515

See application file for complete search history.

(56) **References Cited**

**U.S. PATENT DOCUMENTS**

D67,635 S \* 6/1925 Walton ..... D26/83  
D78,612 S \* 5/1929 Bohl ..... D26/83

D92,659 S \* 7/1934 Kaynor ..... D26/83  
D104,367 S \* 5/1937 Cowan ..... D26/83  
D346,459 S \* 4/1994 King ..... D26/84  
D359,374 S \* 6/1995 Weinstock ..... D26/80  
D397,486 S \* 8/1998 Engle et al. .... D26/87  
6,283,621 B1 \* 9/2001 Macri ..... 362/488  
D639,484 S \* 6/2011 Wauters ..... D26/83  
D644,372 S \* 8/2011 Verelst ..... D26/87  
D646,416 S \* 10/2011 Wauters ..... D26/63  
D646,819 S \* 10/2011 Heyrman ..... D26/63

\* cited by examiner

*Primary Examiner* — Clare E Heflin

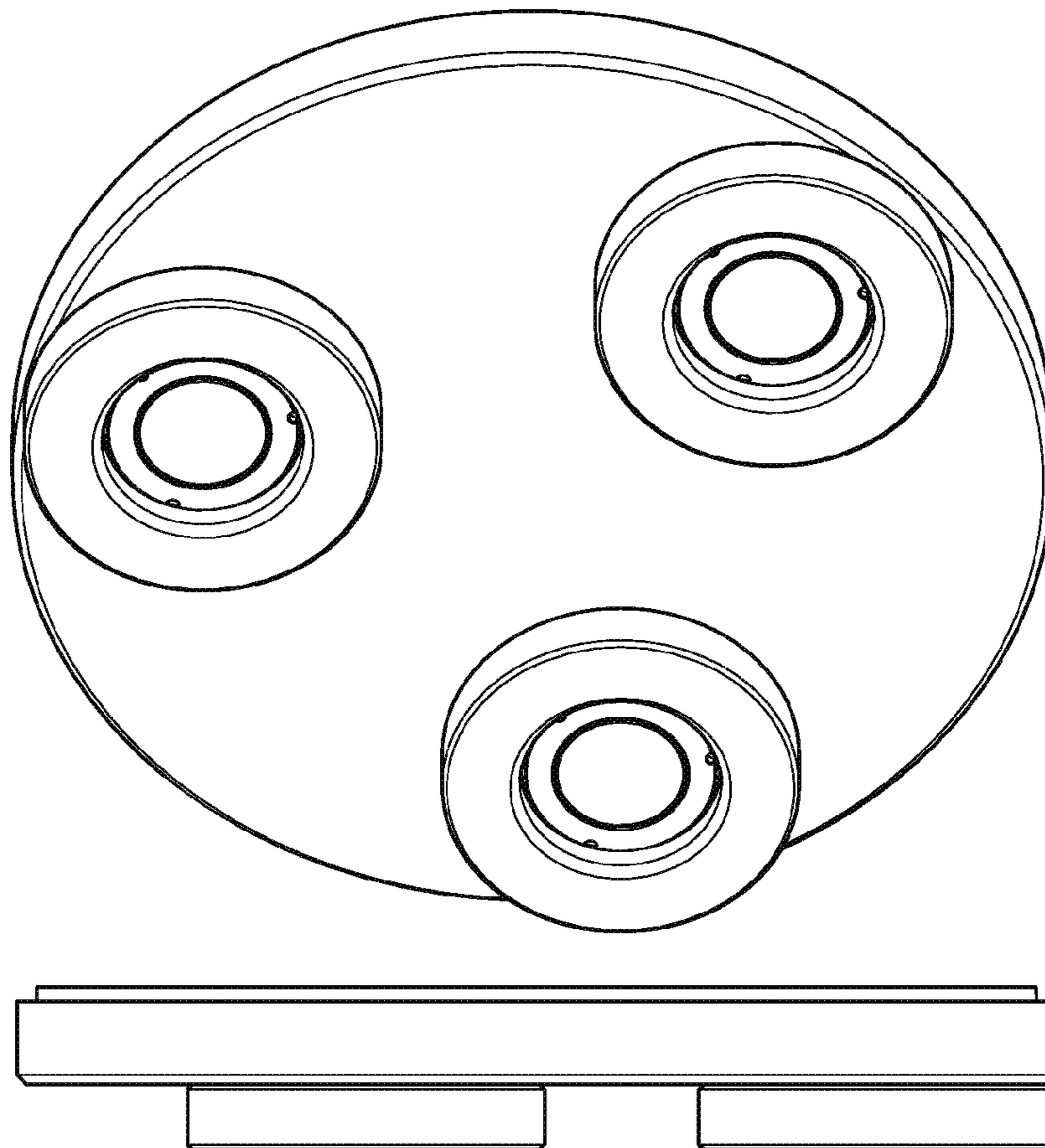
(57) **CLAIM**

The ornamental design for a luminaire, as shown.

**DESCRIPTION**

FIG. 1 is a perspective view showing my design;  
FIG. 2 is a front elevational view thereof;  
FIG. 3 is a rear elevational view thereof;  
FIG. 4 is a right side elevational view thereof;  
FIG. 5 is a left side elevational view thereof;  
FIG. 6 is a top plan view thereof; and,  
FIG. 7 is a bottom plan view thereof.

**1 Claim, 4 Drawing Sheets**



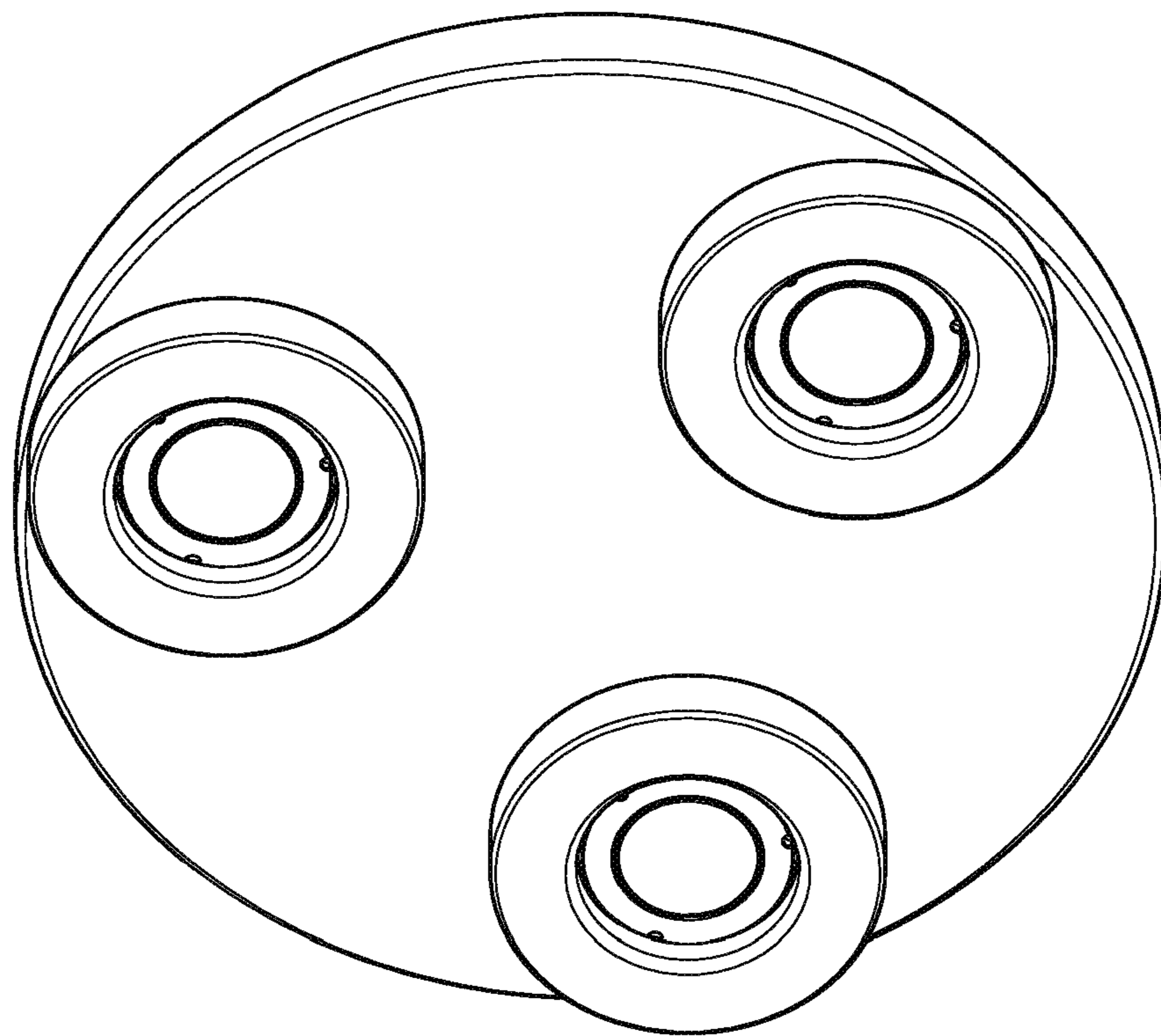


FIG. 1

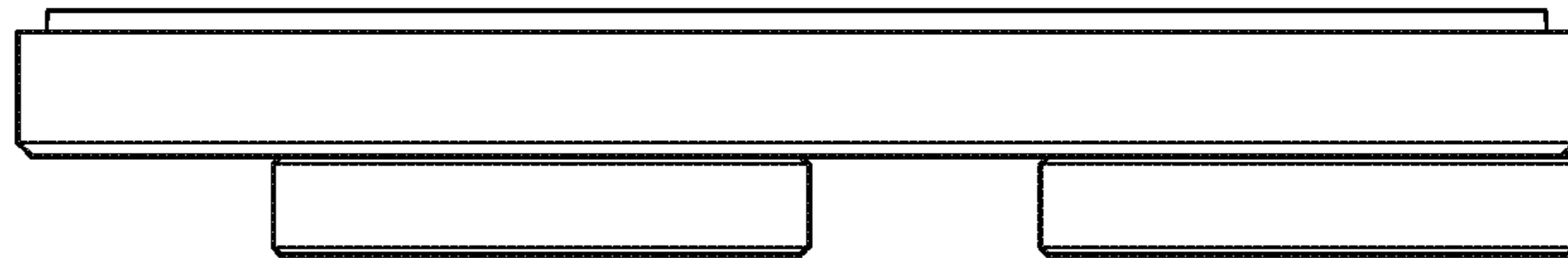


FIG. 2

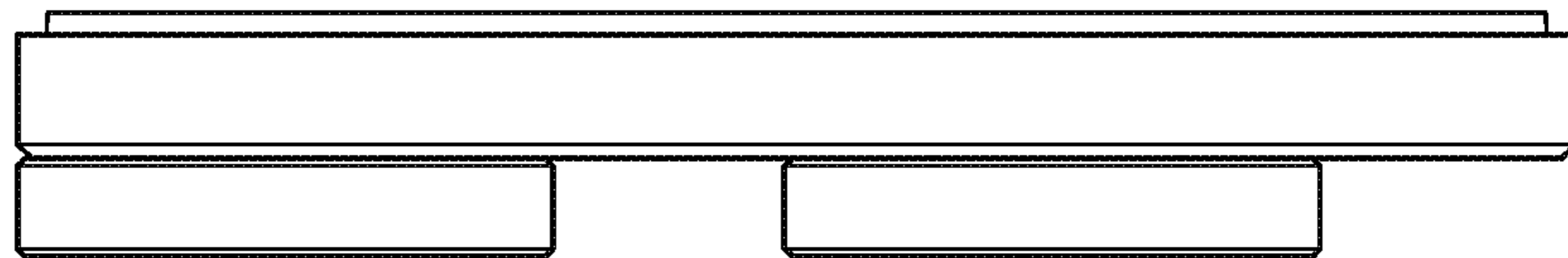


FIG. 3

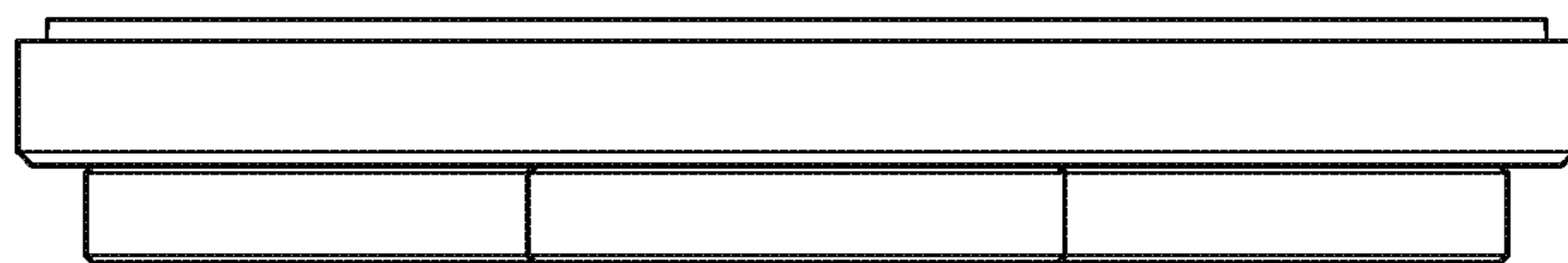


FIG. 4

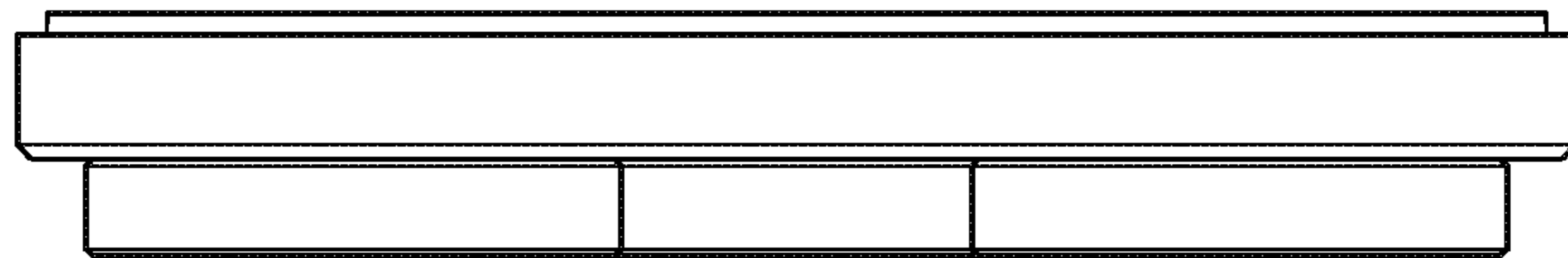


FIG. 5

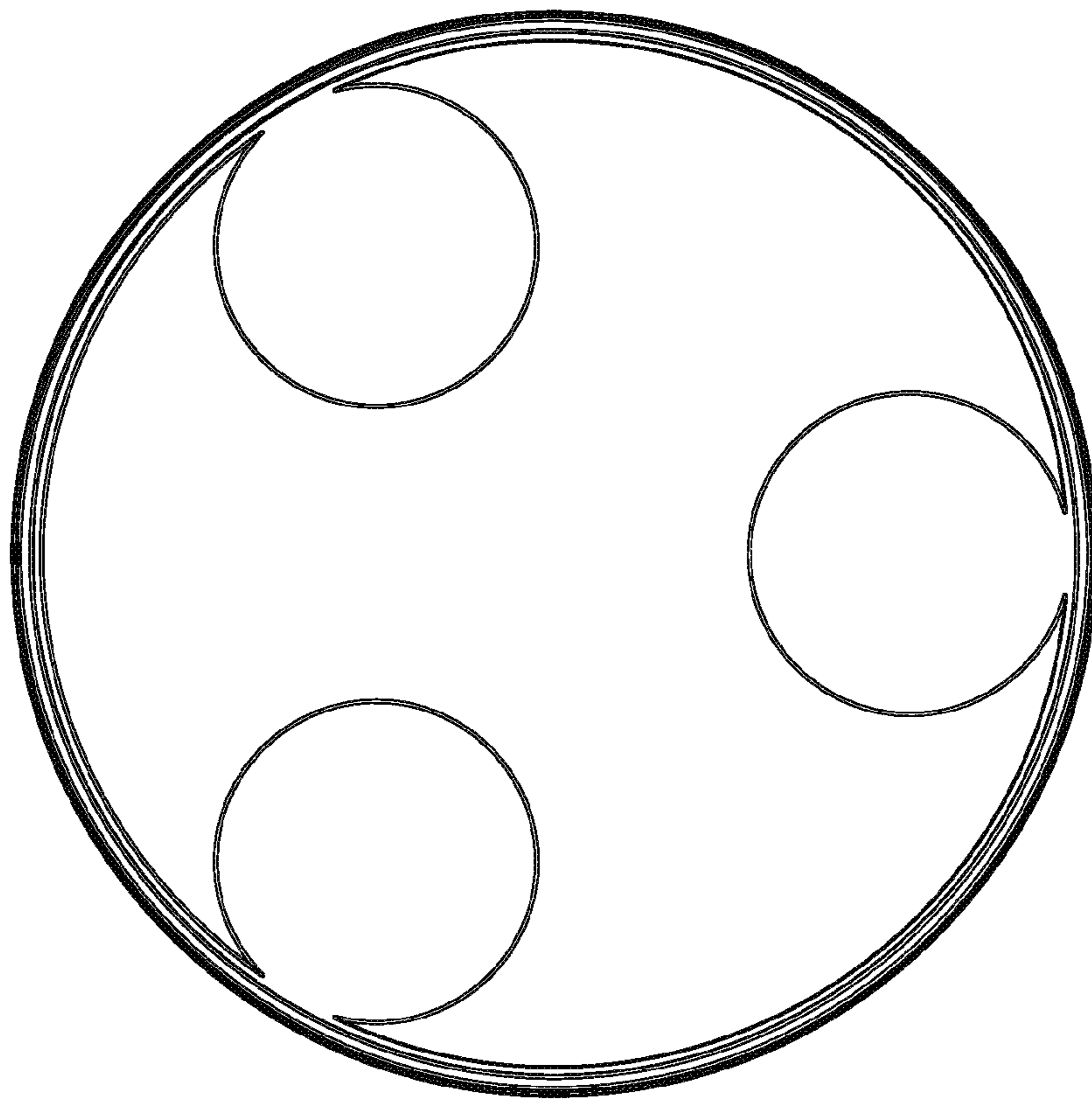


FIG. 6

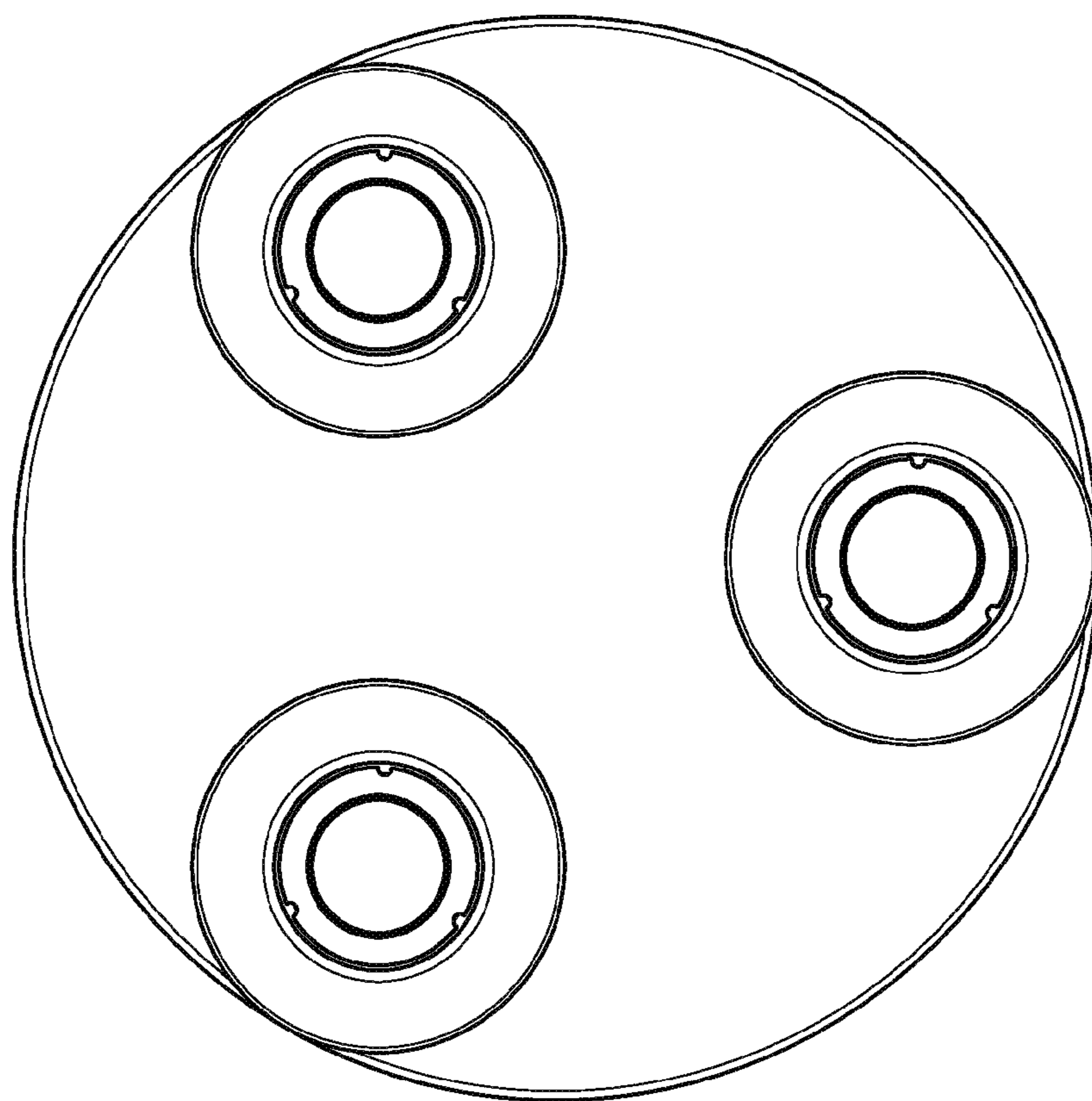


FIG. 7