

US00D662247S

(12) **United States Design Patent**
Wauters

(10) **Patent No.:** **US D662,247 S**
(45) **Date of Patent:** **** Jun. 19, 2012**

(54) **LUMINAIRE**
(75) Inventor: **Tom Wauters**, Mortsel (BE)
(73) Assignee: **Koninklijke Philips Electronics N.V.**,
Eindhoven (NL)
(**) Term: **14 Years**
(21) Appl. No.: **29/392,073**
(22) Filed: **May 17, 2011**

D346,459 S *	4/1994	King	D26/84
D397,486 S *	8/1998	Engle et al.	D26/87
D532,544 S *	11/2006	Woertler	D26/80
D604,003 S *	11/2009	Sabernig	D26/83
D620,174 S *	7/2010	Sabernig	D26/83
D632,417 S *	2/2011	Berman	D26/74
D639,484 S *	6/2011	Wauters	D26/83
D639,485 S *	6/2011	Wauters	D26/83
D644,369 S *	8/2011	Verelst	D26/83
D646,416 S *	10/2011	Wauters	D26/63
D646,819 S *	10/2011	Heyrman	D26/63

* cited by examiner

Primary Examiner — Clare E Heflin

(30) **Foreign Application Priority Data**
Nov. 18, 2010 (EM) 001783192-0003
(51) **LOC (9) Cl.** **26-03**
(52) **U.S. Cl.** **D26/83**
(58) **Field of Classification Search** D26/61,
D26/63, 76, 80, 81, 83-89; 362/147, 404-408,
362/488, 490, 515
See application file for complete search history.

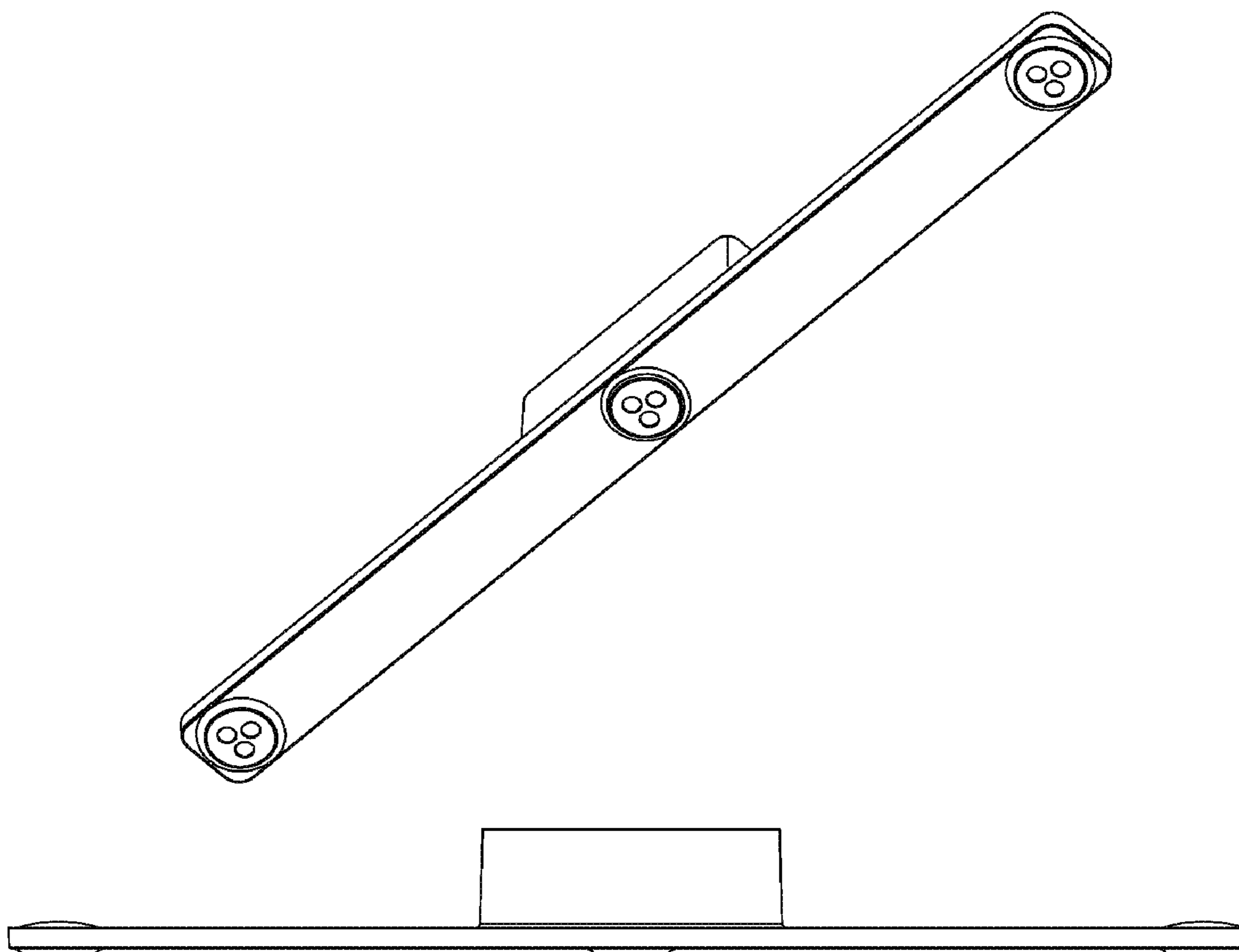
(56) **References Cited**
U.S. PATENT DOCUMENTS
D97,213 S * 10/1935 Stone D26/83
D118,729 S * 1/1940 Stewart D26/83

(57) **CLAIM**
The ornamental design for a luminaire, as shown.

DESCRIPTION

FIG. 1 is a perspective view showing my design;
FIG. 2 is a front elevational view thereof;
FIG. 3 is a rear elevational view thereof;
FIG. 4 is a right side elevational view thereof;
FIG. 5 is a left side elevational view thereof;
FIG. 6 is a top pan view thereof; and,
FIG. 7 is a bottom plan view thereof.

1 Claim, 3 Drawing Sheets



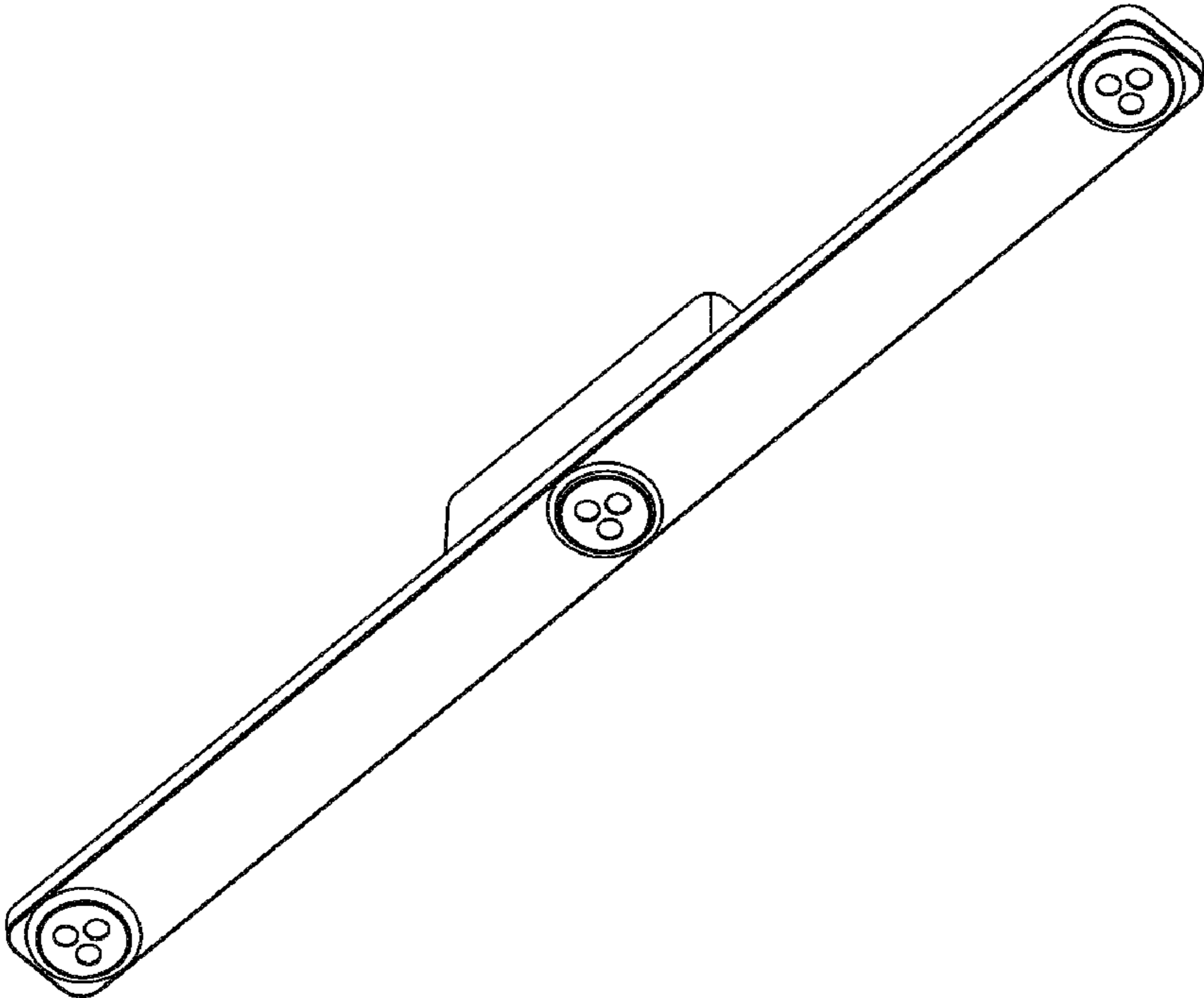


FIG. 1

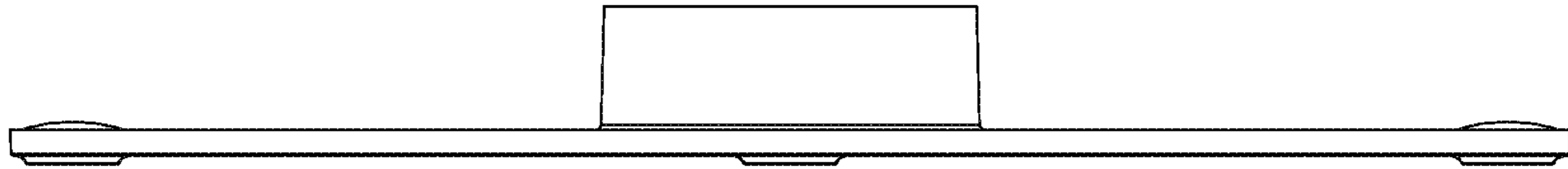


FIG. 2

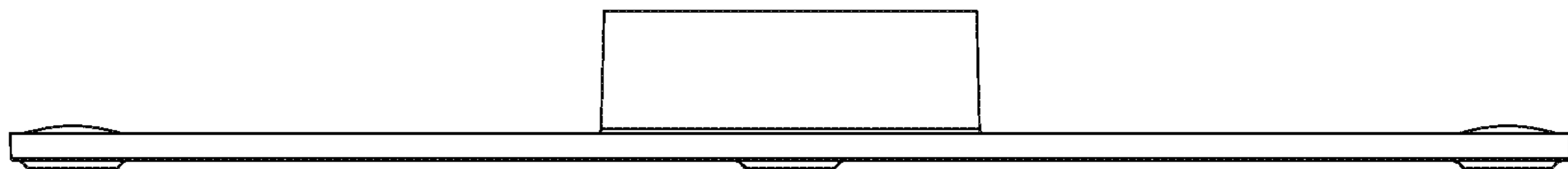


FIG. 3

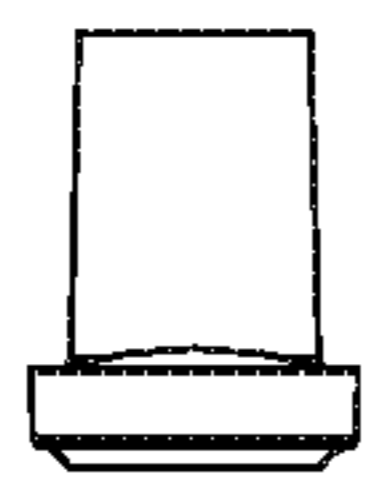


FIG. 4

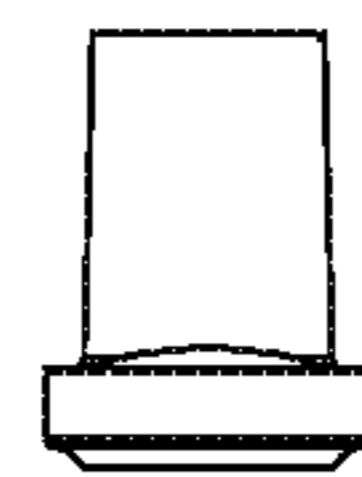


FIG. 5

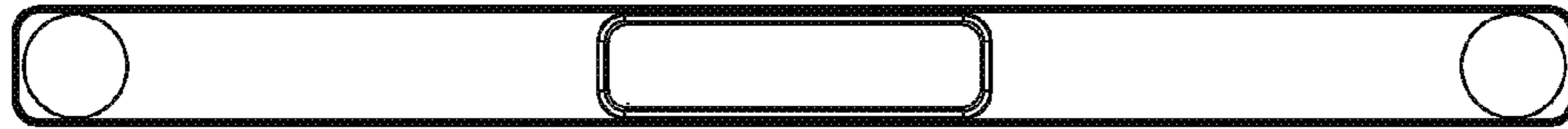


FIG. 6



FIG. 7