



US00D662244S

(12) **United States Design Patent**  
**Chen et al.**

(10) **Patent No.:** **US D662,244 S**  
(45) **Date of Patent:** **\*\* Jun. 19, 2012**

(54) **LED STREET LAMP**

(75) Inventors: **Jintao Chen**, Tianchang (CN);  
**Genwang Chen**, Tianchange (CN);  
**Jianhua Zhu**, Dachengqiao (CN); **Yang Yang**, Wuhu (CN)

(73) Assignee: **Anhui WorldVision Photoelectric Technology Co., Ltd.**, Tianchang (CN)

(\*\*) Term: **14 Years**

(21) Appl. No.: **29/401,025**

(22) Filed: **Sep. 6, 2011**

(30) **Foreign Application Priority Data**

May 12, 2011 (CN) ..... 2011 3 0117016

(51) **LOC (9) Cl.** ..... **26-05**

(52) **U.S. Cl.** ..... **D26/71**

(58) **Field of Classification Search** ..... D26/61,  
D26/63, 65, 67-71, 92; 362/249.01-249.06,  
362/294, 373, 431

See application file for complete search history.

(56) **References Cited**

**U.S. PATENT DOCUMENTS**

D580,582 S \* 11/2008 Fan ..... D26/71  
D599,942 S \* 9/2009 Zheng ..... D26/71

D614,336 S \* 4/2010 Zheng et al. .... D26/71  
D615,235 S \* 5/2010 Zheng ..... D26/71  
7,762,690 B2 \* 7/2010 Li et al. .... 362/294  
D621,988 S \* 8/2010 Zheng et al. .... D26/71  
7,832,898 B2 \* 11/2010 Li ..... 362/249.02  
D634,875 S \* 3/2011 Jiang et al. .... D26/71  
7,922,372 B2 \* 4/2011 Li ..... 362/373  
8,007,142 B2 \* 8/2011 Ku et al. .... 362/368  
D645,190 S \* 9/2011 Van Klinken et al. .... D26/71  
D648,885 S \* 11/2011 Toratani ..... D26/71  
8,113,687 B2 \* 2/2012 Villard et al. .... 362/249.01

\* cited by examiner

*Primary Examiner* — Clare E Heflin

(74) *Attorney, Agent, or Firm* — Nixon Peabody LLP

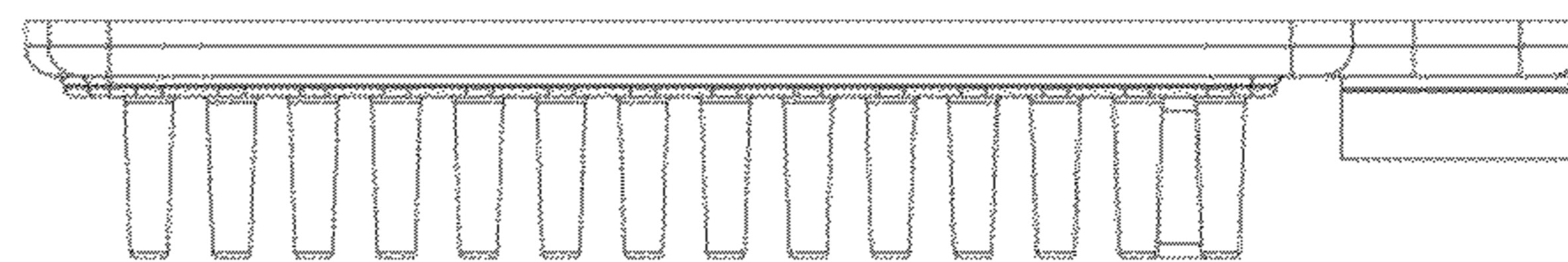
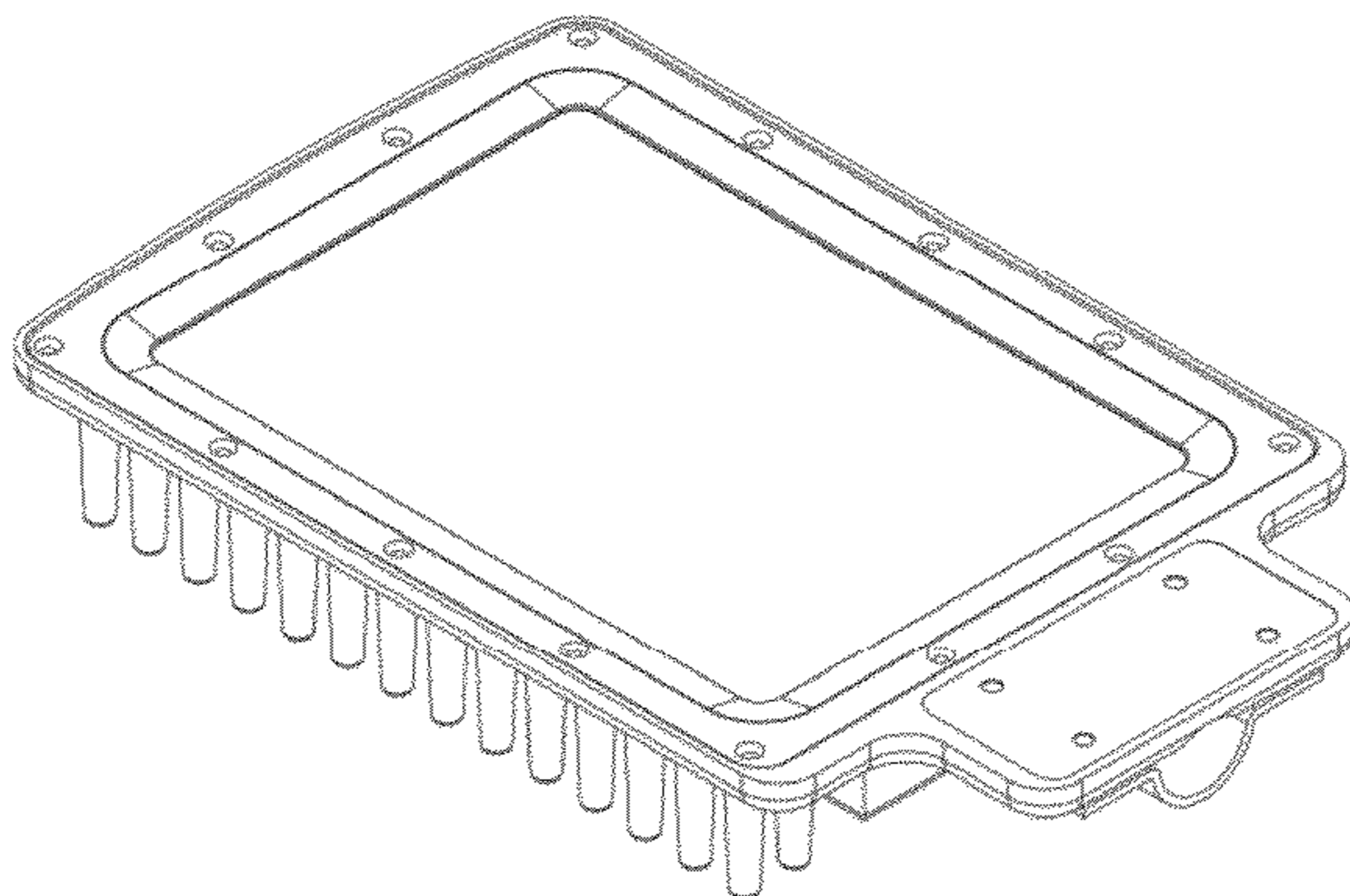
(57) **CLAIM**

We claim the ornamental design for an “LED street lamp,” as shown and described.

**DESCRIPTION**

FIG. 1 is a perspective view of an LED street lamp.  
FIG. 2 is a front view of the LED street lamp.  
FIG. 3 is a back view of the LED street lamp.  
FIG. 4 is a left view of the LED street lamp.  
FIG. 5 is a right view of the LED street lamp.  
FIG. 6 is a top view of the LED street lamp; and,  
FIG. 7 is a bottom view of the LED street lamp.

**1 Claim, 6 Drawing Sheets**



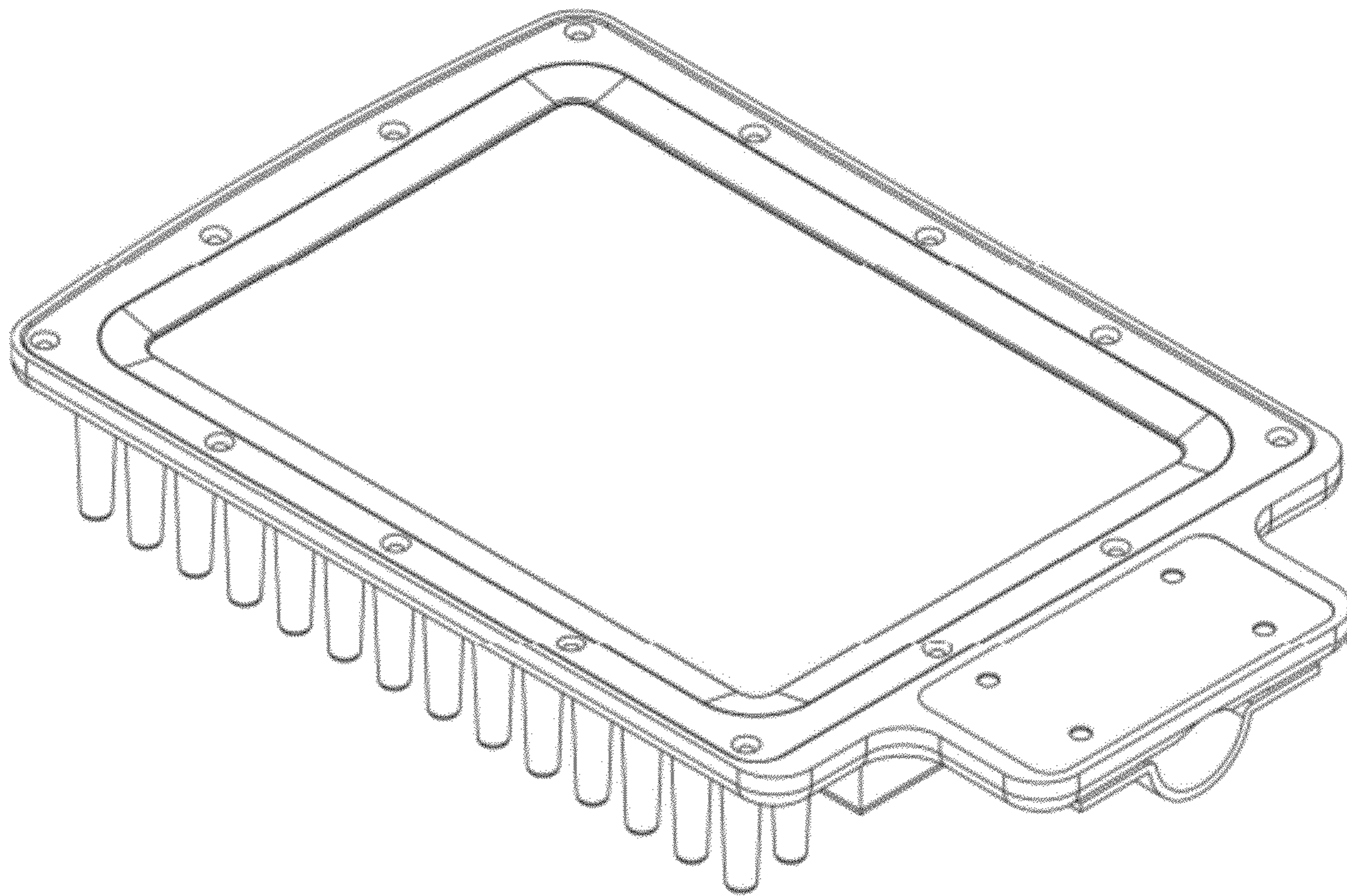


FIG. 1

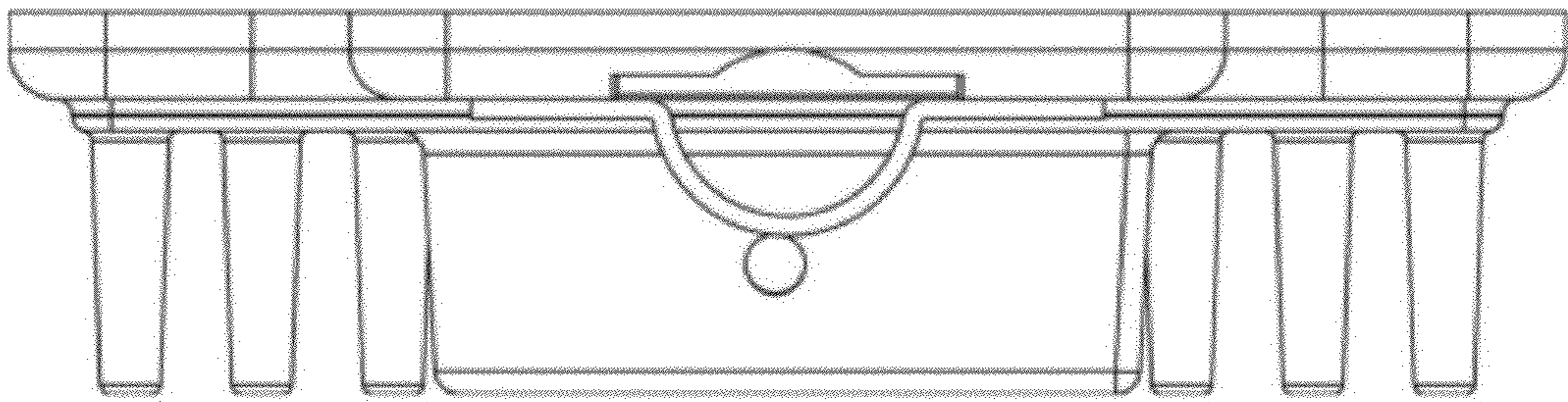


FIG. 2

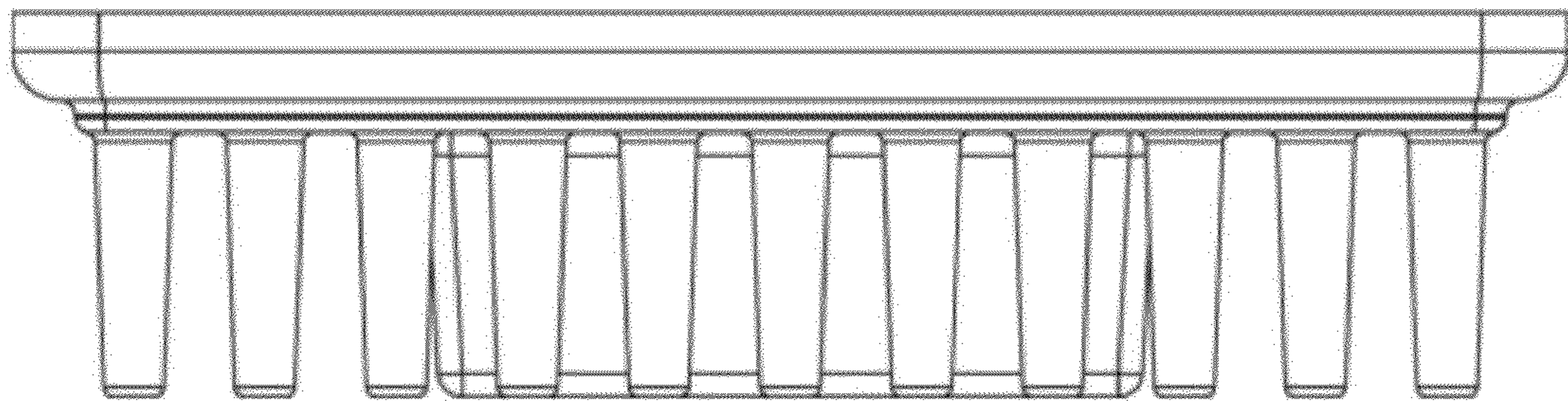


FIG. 3

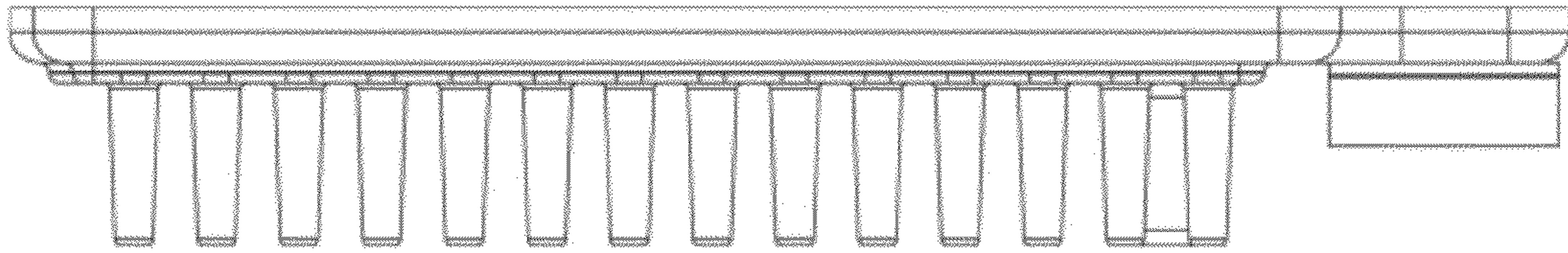


FIG. 4

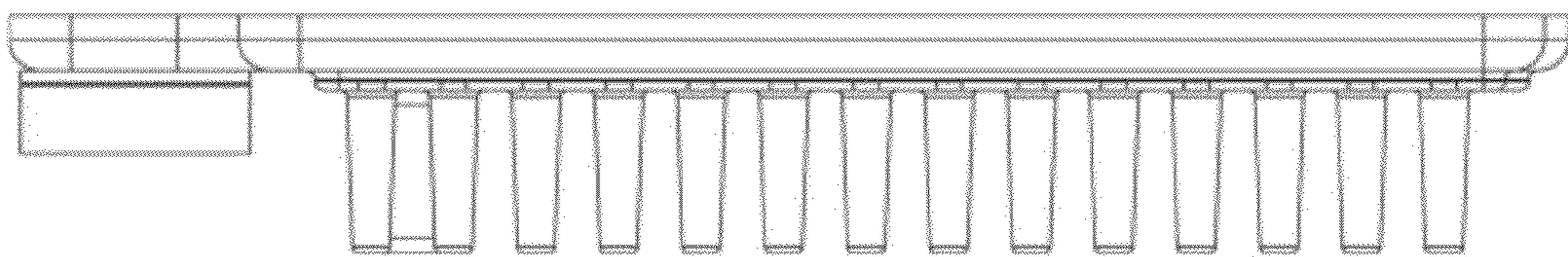


FIG. 5

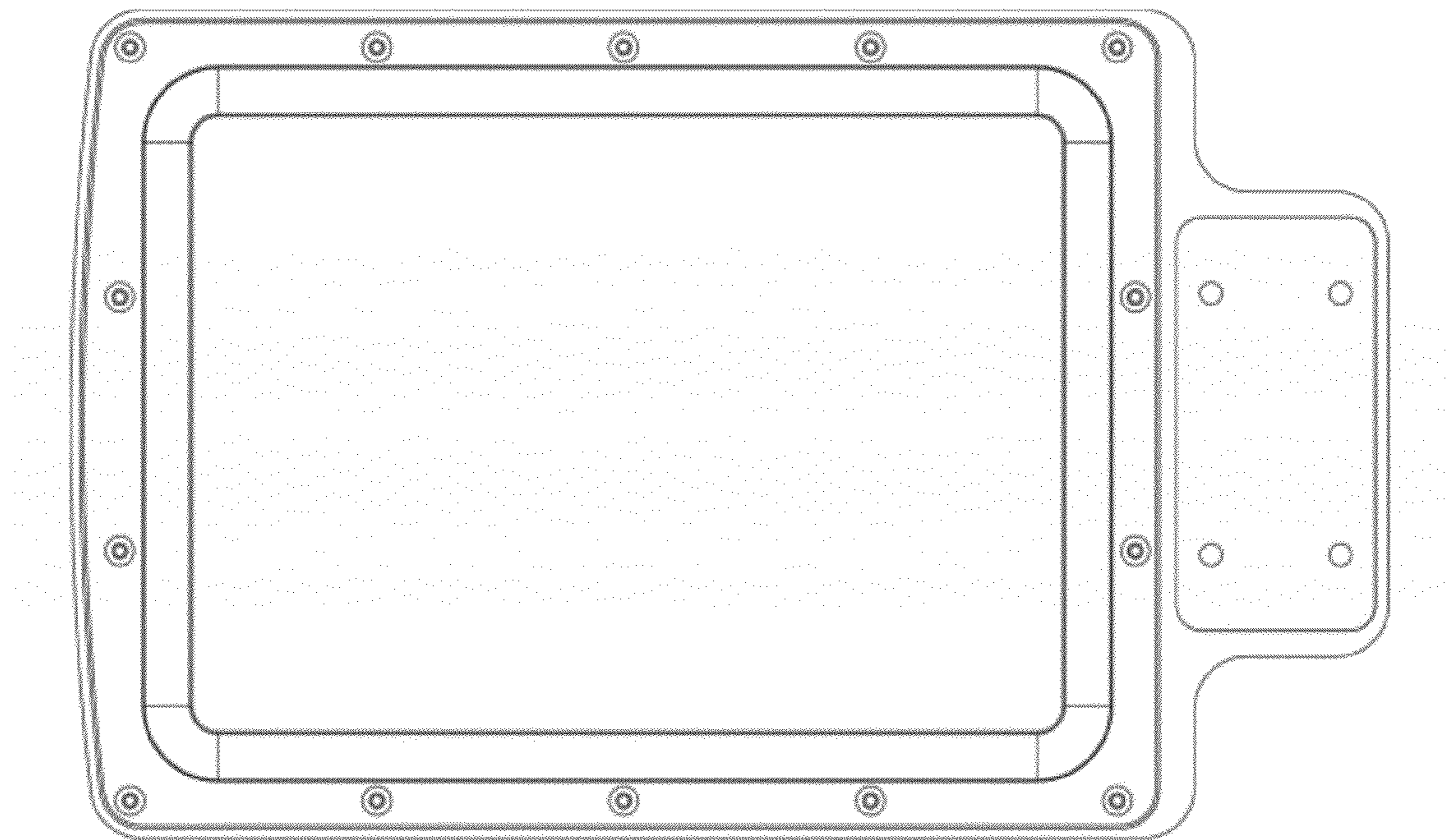


FIG. 6

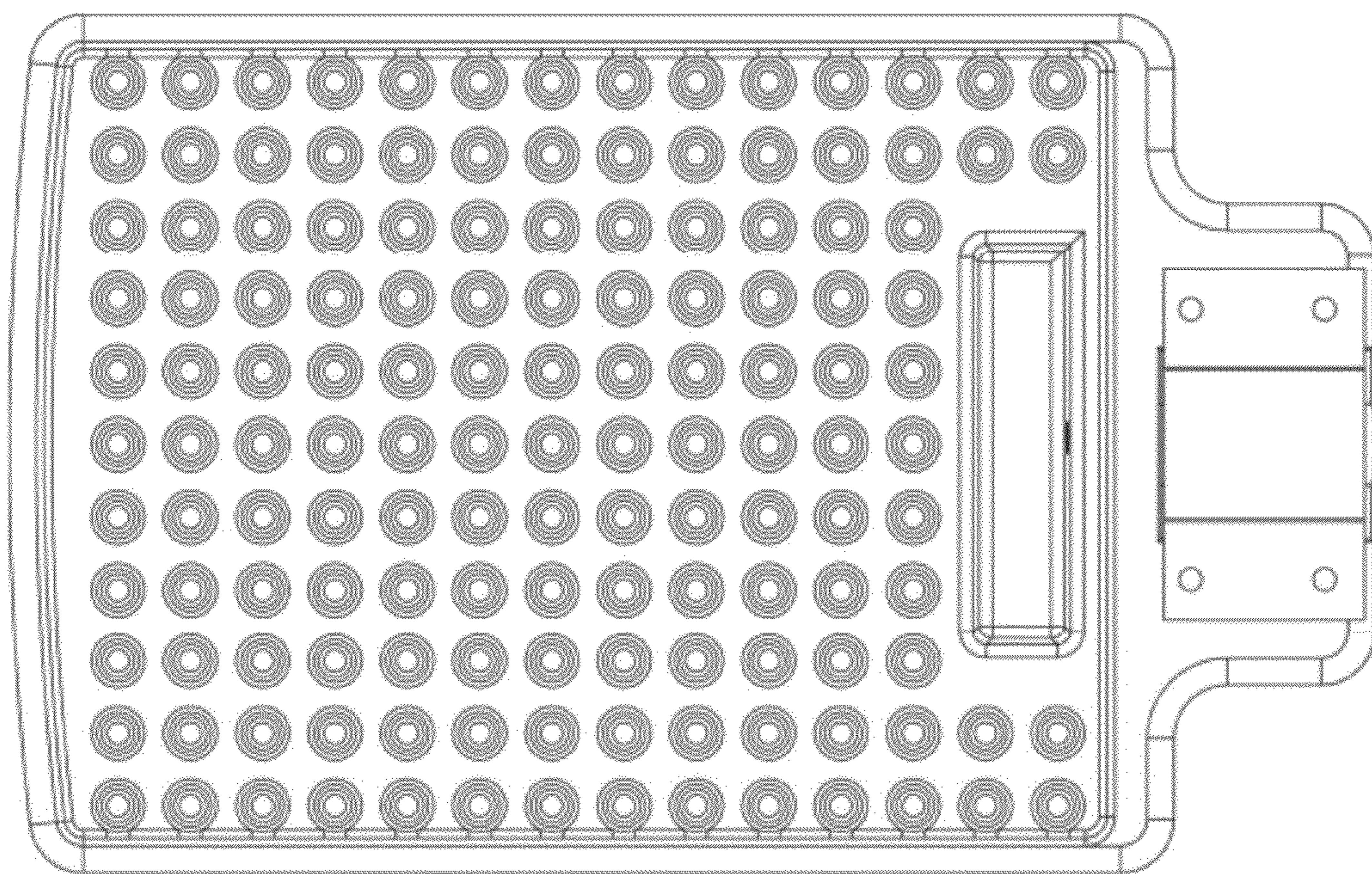


FIG. 7