

US00D662243S

(12) **United States Design Patent**  
**Sinai et al.**

(10) **Patent No.:** **US D662,243 S**  
(45) **Date of Patent:** **\*\* Jun. 19, 2012**

(54) **LIGHTING FIXTURE**

(75) Inventors: **Saman Sinai**, Los Angeles, CA (US);  
**Benjamin Pouladian**, Los Angeles, CA  
(US)

(73) Assignee: **Deco Enterprises**, Commerce, CA (US)

(\*\*) Term: **14 Years**

(21) Appl. No.: **29/392,489**

(22) Filed: **May 23, 2011**

(51) **LOC (9) Cl.** ..... **26-05**

(52) **U.S. Cl.** ..... **D26/71**

(58) **Field of Classification Search** ..... D26/67-72,  
D26/85, 92; 362/102, 120, 183, 249.02,  
362/431

See application file for complete search history.

(56) **References Cited**

**U.S. PATENT DOCUMENTS**

D192,041 S *	1/1962	Izzi .....	D26/71
D199,327 S *	10/1964	Guth, Jr. ....	D26/72
D500,569 S *	1/2005	Butler .....	D26/71
D572,857 S *	7/2008	Kauffman et al. ....	D26/71
D615,233 S *	5/2010	Josefowicz et al. ....	D26/71
D624,685 S *	9/2010	Ham et al. ....	D26/71
D631,592 S *	1/2011	Rosas .....	D26/71

D643,141 S \* 8/2011 Wong et al. .... D26/71  
D647,659 S \* 10/2011 Chen et al. .... D26/71

\* cited by examiner

*Primary Examiner* — Clare E Heflin

(74) *Attorney, Agent, or Firm* — Omid Legal Group; Omid  
E. Khalifeh

(57) **CLAIM**

The ornamental design for a lighting fixture, as shown and  
described.

**DESCRIPTION**

FIG. 1 is a perspective view of a lighting fixture according to  
the present invention;

FIG. 2 is a front view of a lighting fixture according to the  
present invention;

FIG. 3 is a back view of a lighting fixture according to the  
present invention;

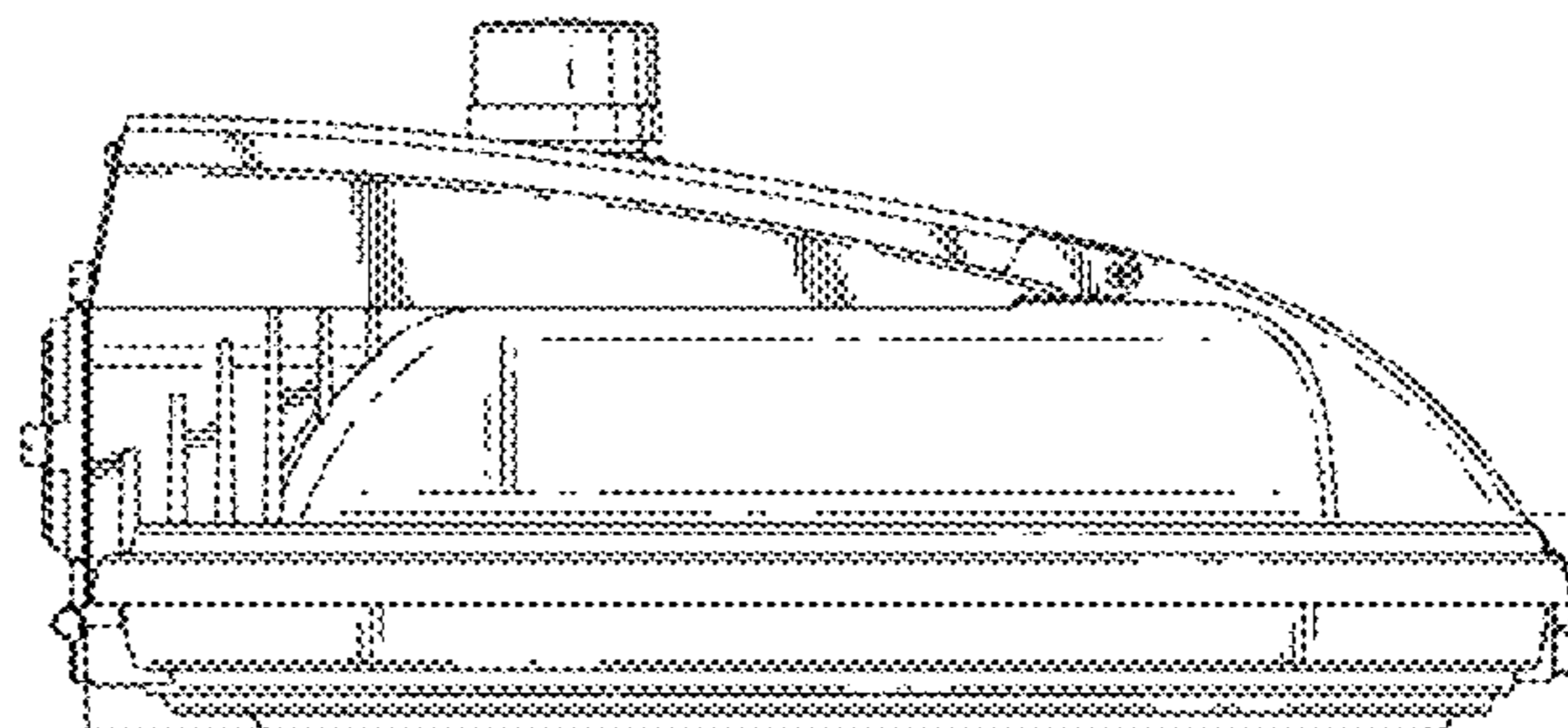
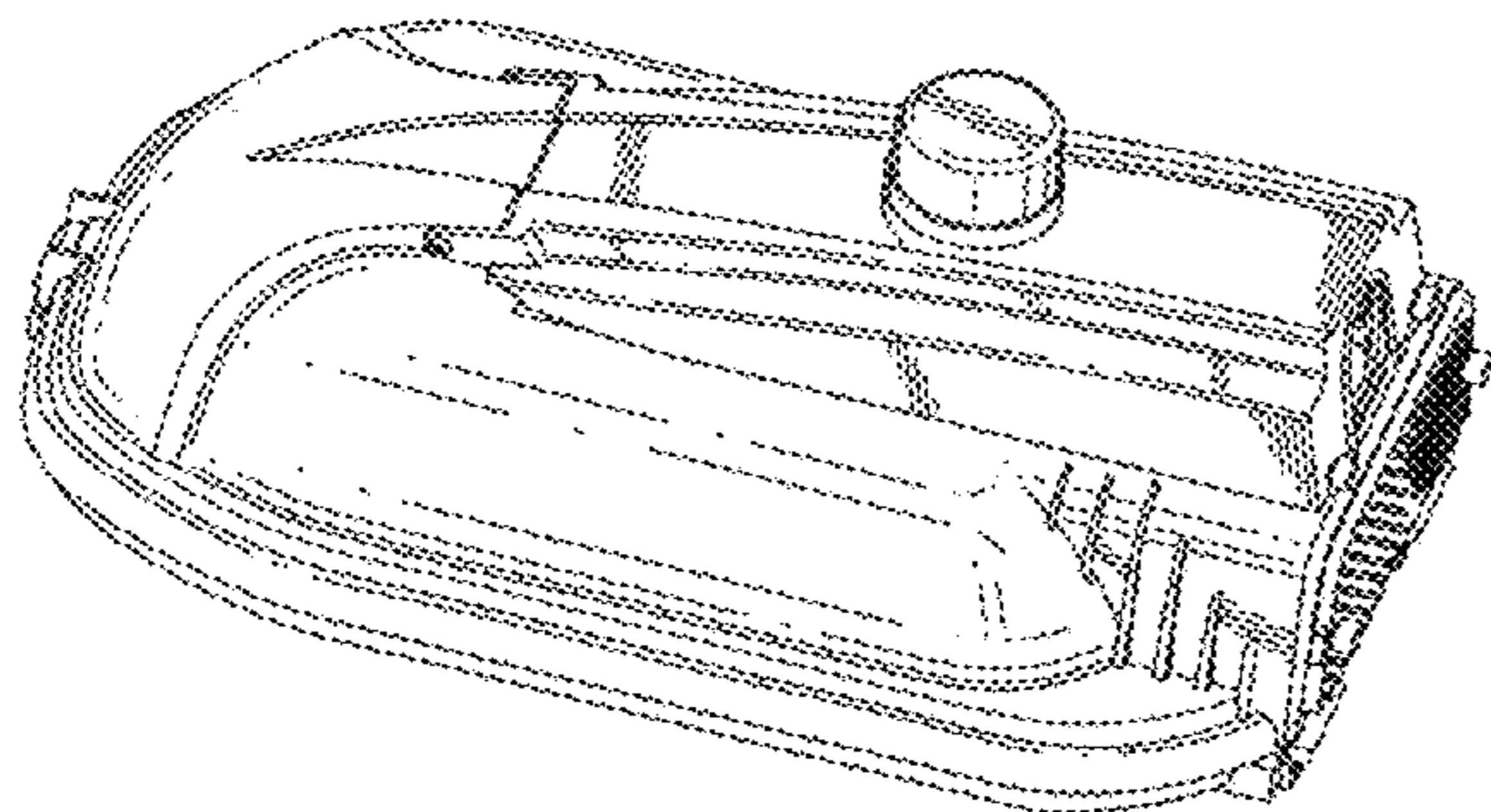
FIG. 4 is a side view of a lighting fixture according to the  
present invention;

FIG. 5 is a top view of a lighting fixture according to the  
present invention; and,

FIG. 6 is a bottom view of a lighting fixture according to the  
present invention.

The broken lines shown in the drawings are for the purpose of  
illustrating portions of the light fixture and form no part of the  
claimed design.

**1 Claim, 5 Drawing Sheets**



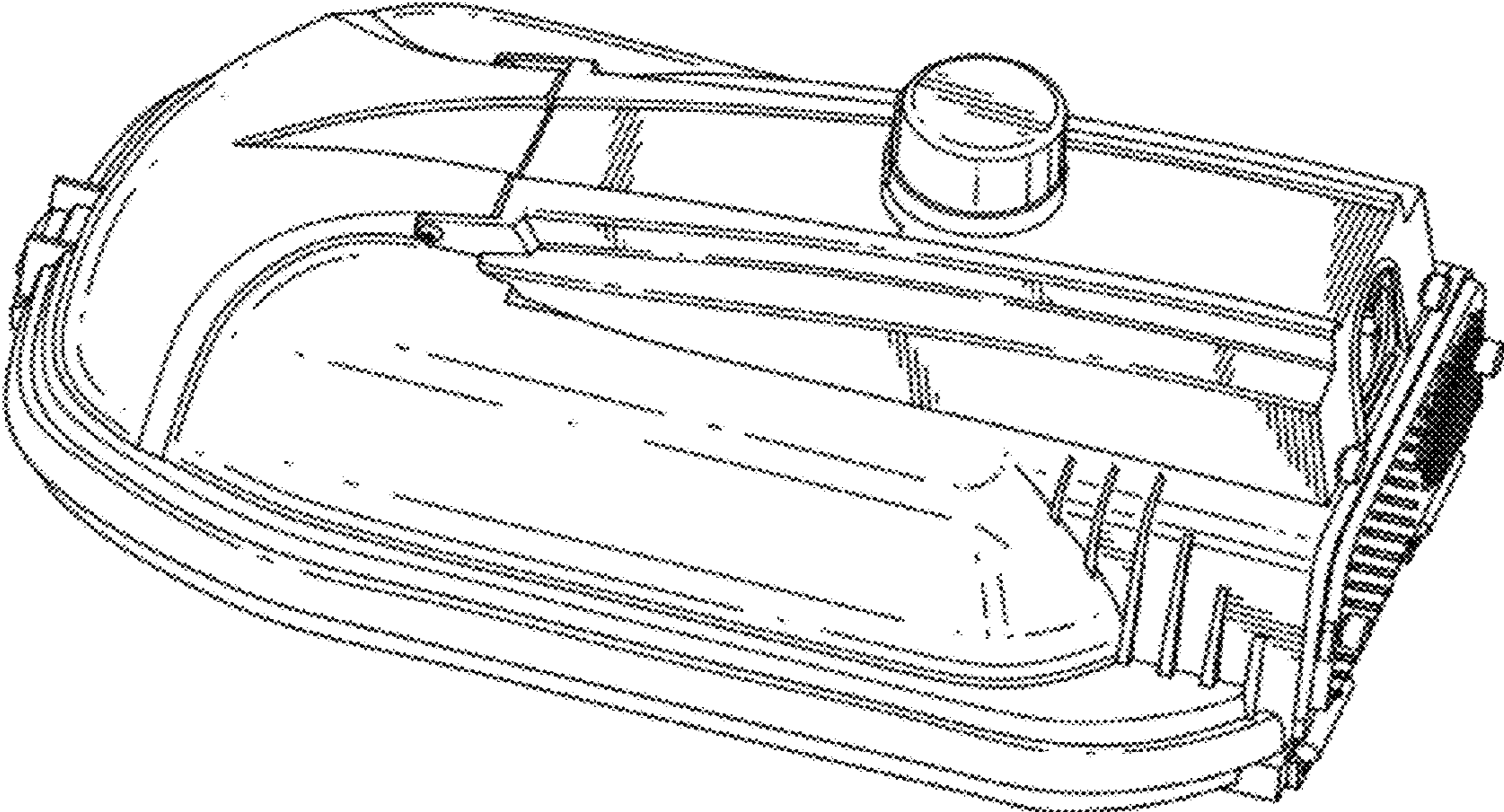


FIG. 1

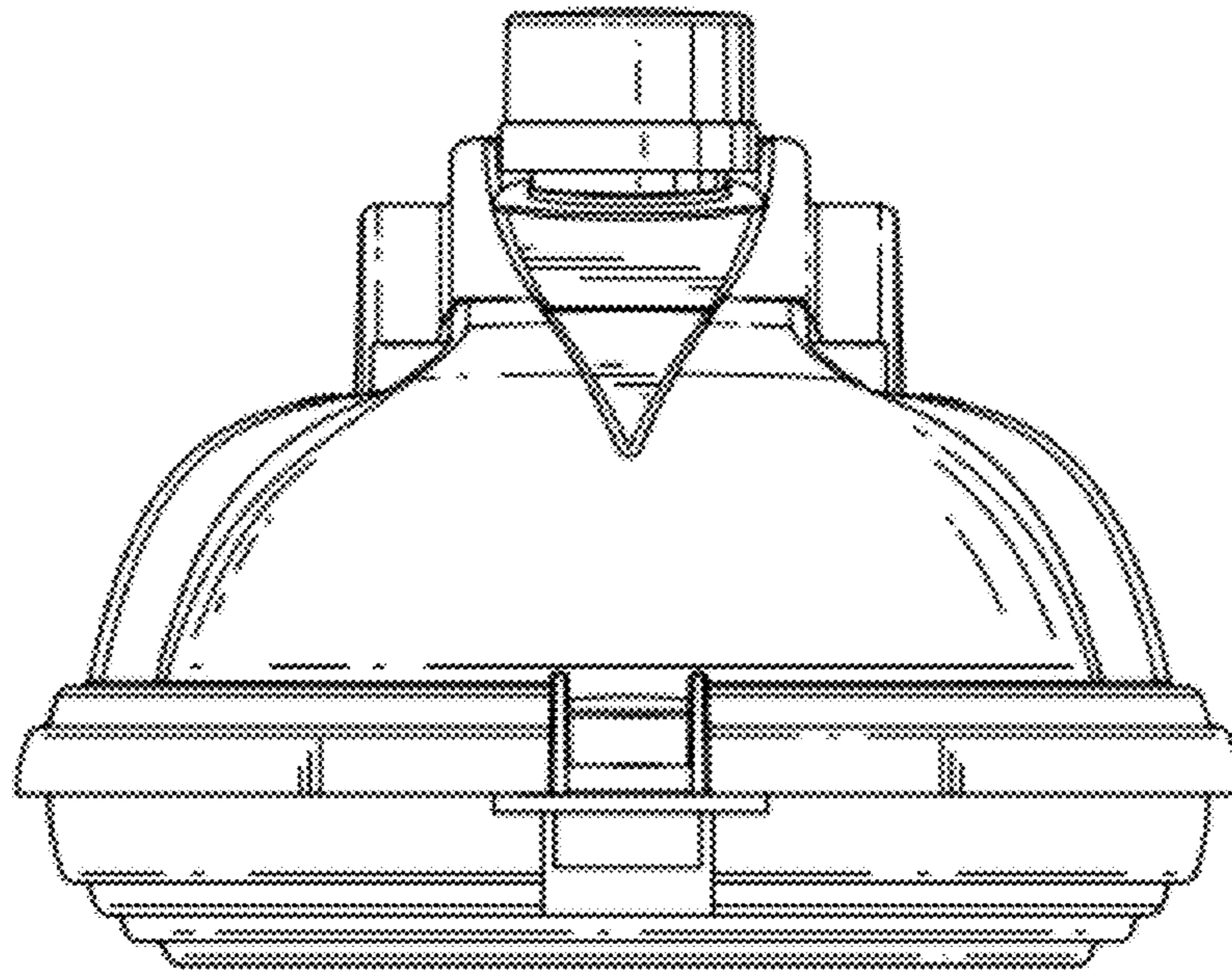


FIG. 2

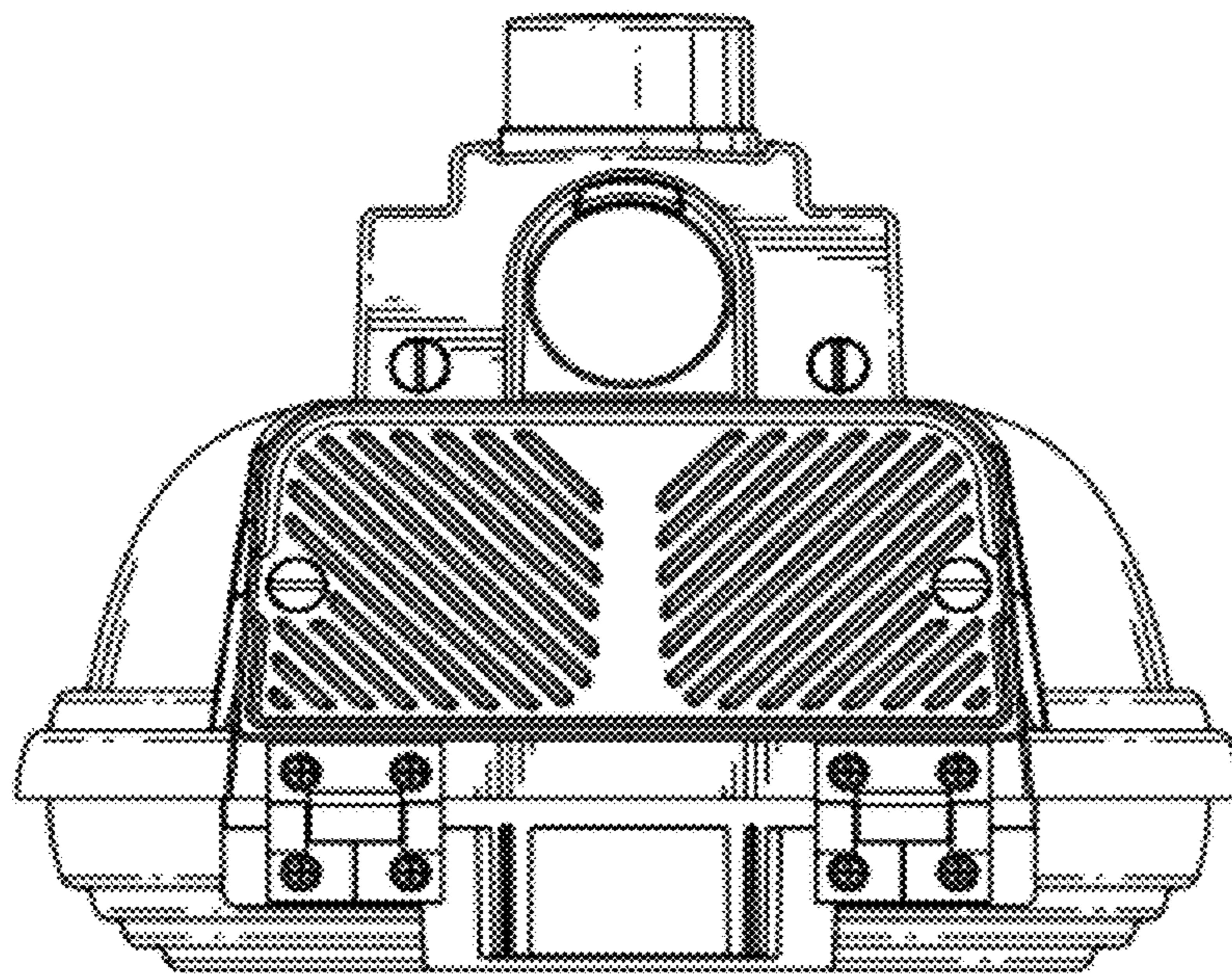


FIG. 3

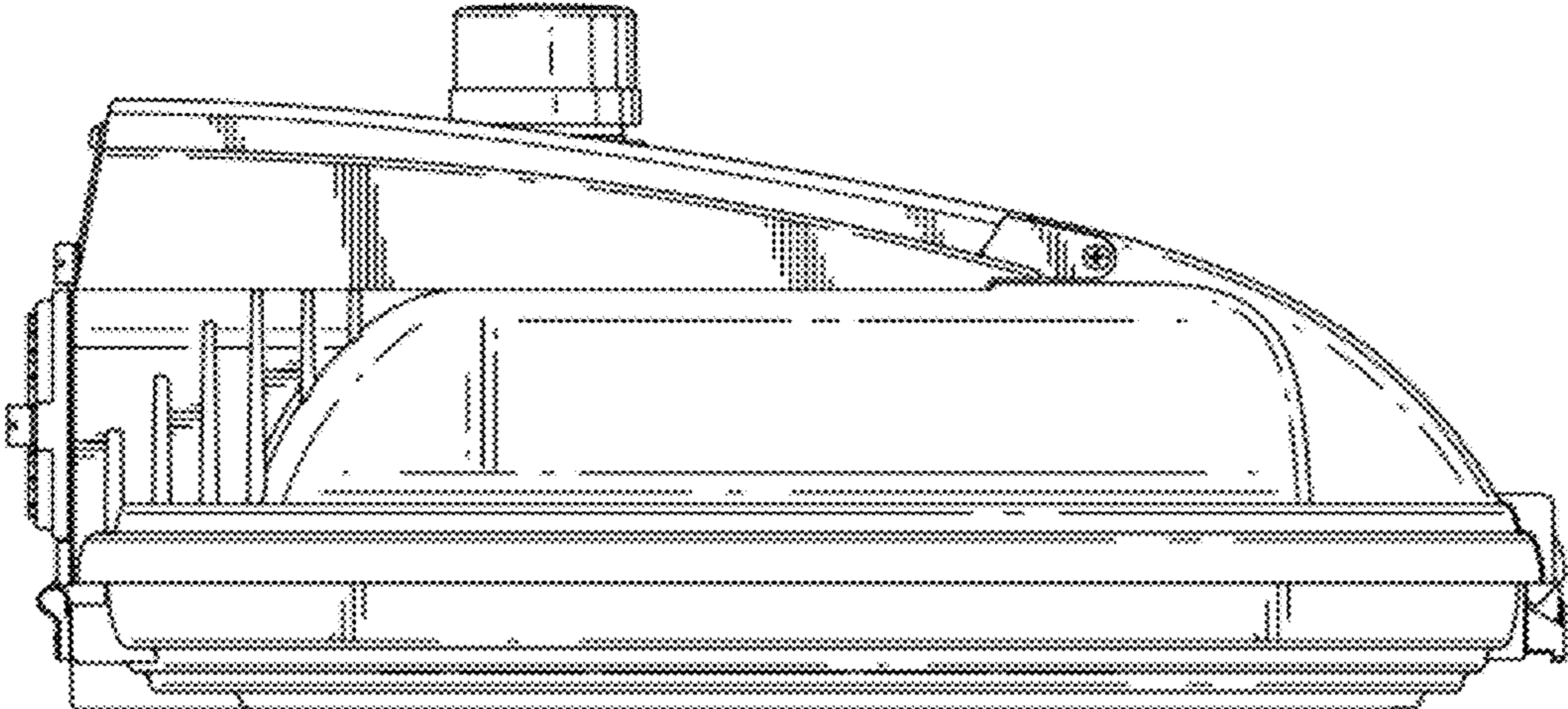


FIG. 4

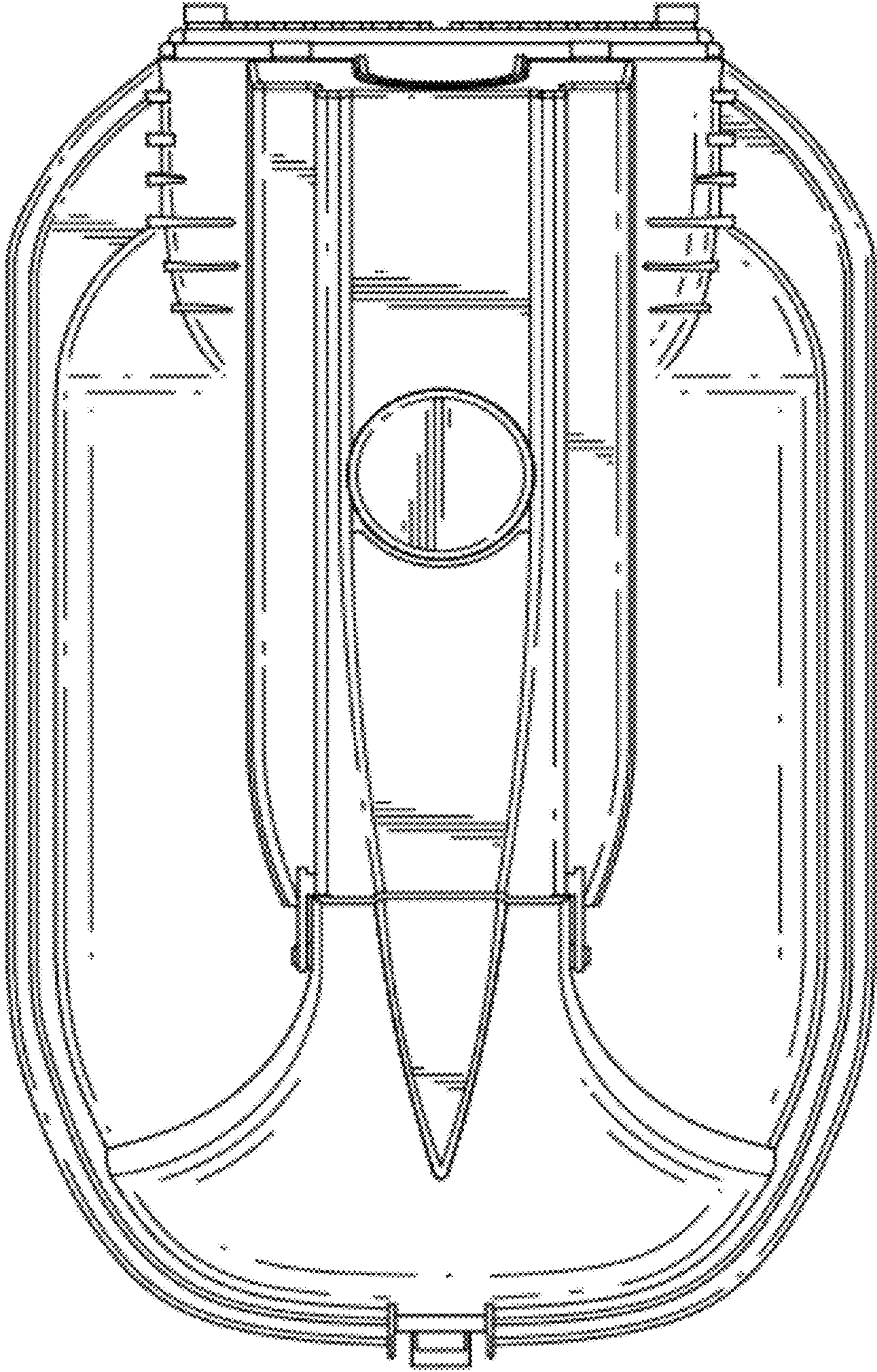
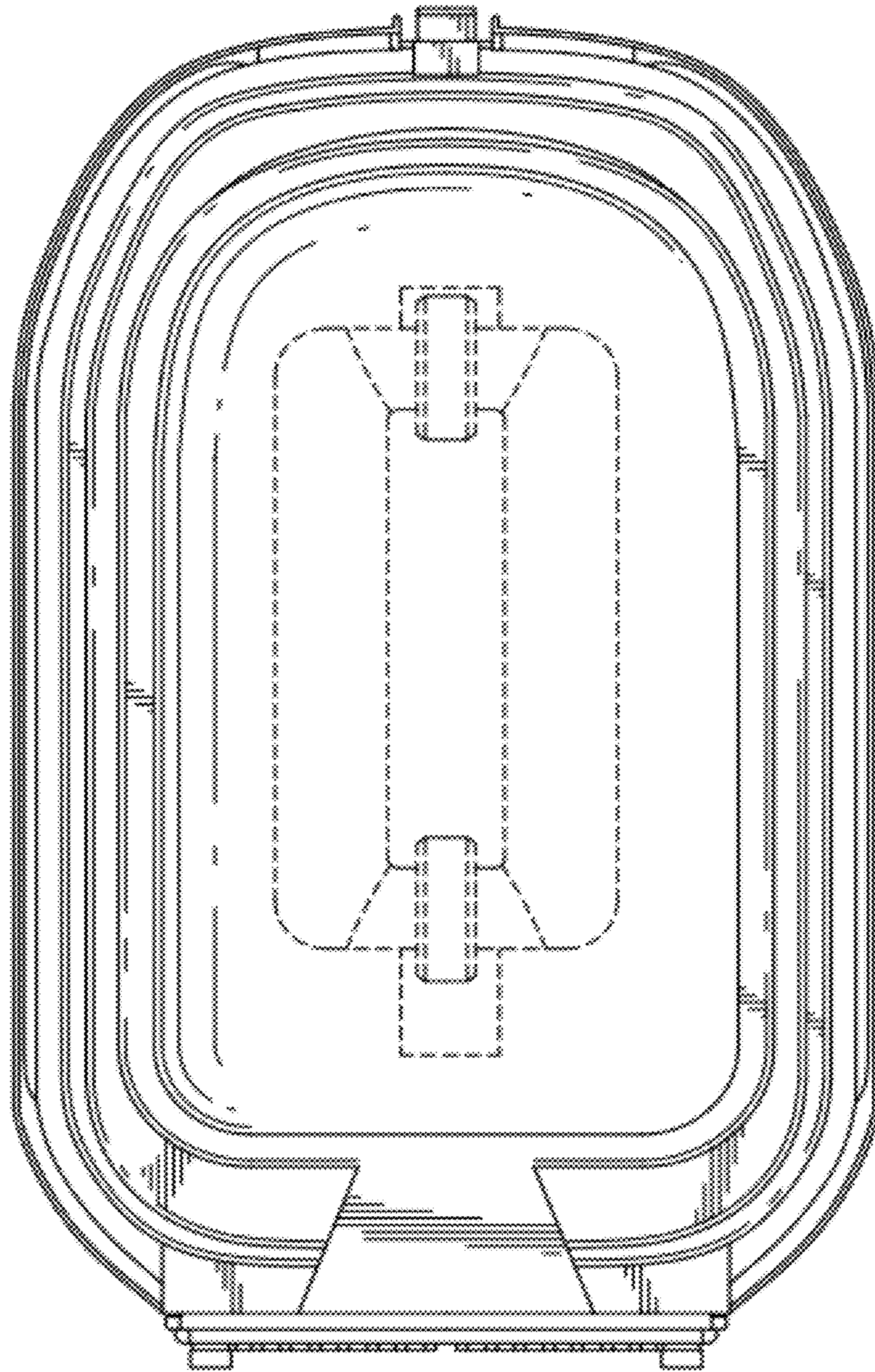


FIG. 5



*FIG. 6*