

US00D662241S

(12) **United States Design Patent**
Tschopp

(10) **Patent No.:** **US D662,241 S**
(45) **Date of Patent:** **** Jun. 19, 2012**

(54) **FLASHLIGHT**

(75) Inventor: **Tylan A. Tschopp**, Baltimore, MD (US)

(73) Assignee: **Black & Decker Inc.**, Newark, DE (US)

(**) Term: **14 Years**

(21) Appl. No.: **29/392,063**

(22) Filed: **May 17, 2011**

(51) **LOC (9) Cl.** **26-02**

(52) **U.S. Cl.** **D26/45**

(58) **Field of Classification Search** D26/37,
D26/38, 39, 40, 44, 45, 46, 49; 362/157,
362/158, 183, 184, 190, 194-196, 202-208
See application file for complete search history.

(56) **References Cited**

U.S. PATENT DOCUMENTS

D422,730 S *	4/2000	Byler et al.	D26/44
D427,346 S *	6/2000	Schoen	D26/45
D427,697 S *	7/2000	Brazell et al.	D26/42
D432,692 S *	10/2000	Krieger	D26/45
D438,316 S *	2/2001	Etter	D26/44
D446,591 S *	8/2001	Shing	D26/45
D490,552 S *	5/2004	Krieger et al.	D26/45

D493,555 S *	7/2004	Kung	D26/45
D524,957 S *	7/2006	Lobert et al.	D26/28
D599,926 S *	9/2009	Schoch	D26/45

* cited by examiner

Primary Examiner — Ian Simmons

Assistant Examiner — Carissa C Fitts

(74) *Attorney, Agent, or Firm* — Stephen R. Valancius

(57) **CLAIM**

The ornamental design for a flashlight, as shown and described.

DESCRIPTION

FIG. 1 is a perspective view of a flashlight according to the present invention;

FIG. 2 is a front view of the flashlight of FIG. 1;

FIG. 3 is a back view of the flashlight of FIG. 1;

FIG. 4 is a right side view of the flashlight of FIG. 1;

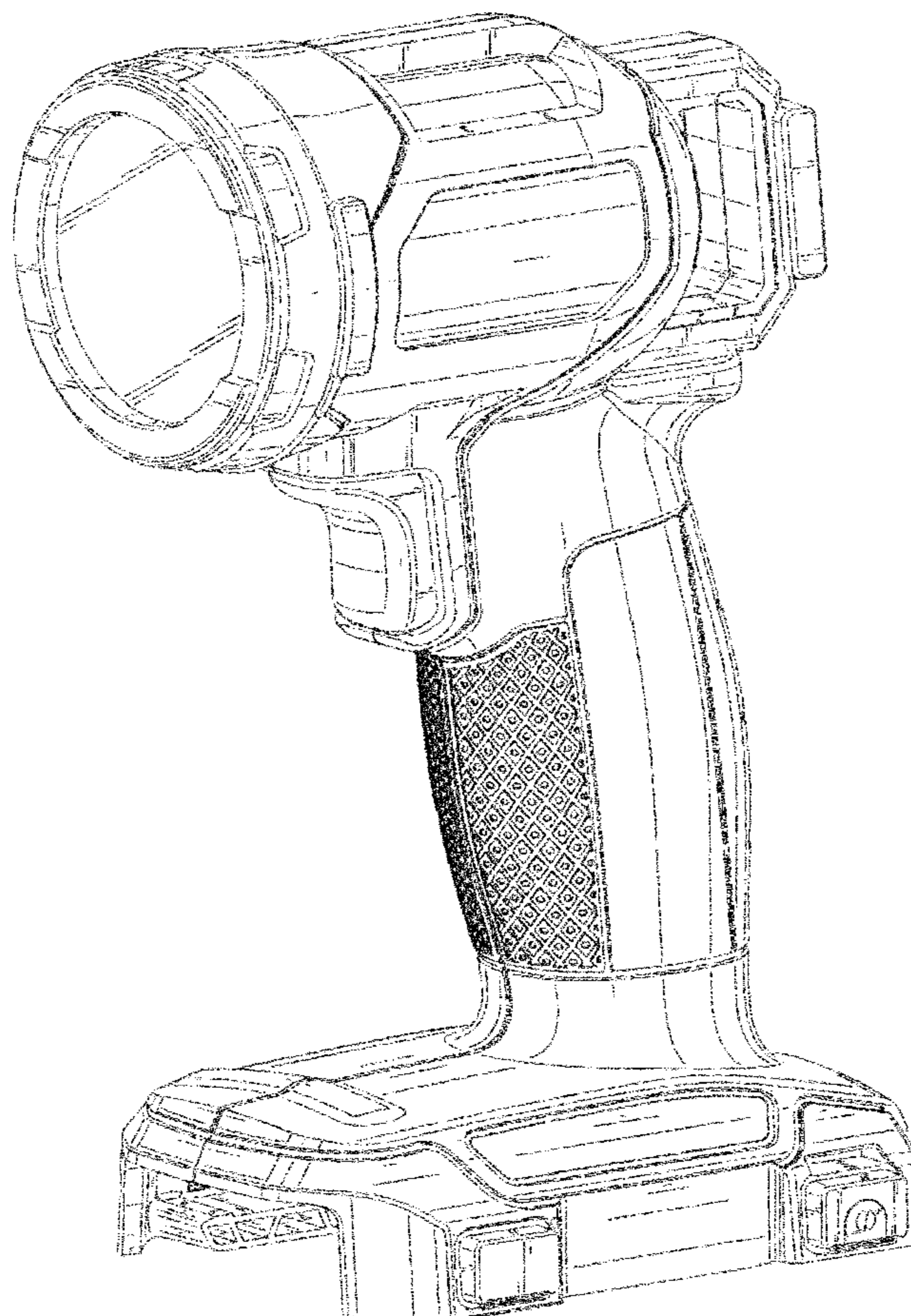
FIG. 5 is a left side view of the flashlight of FIG. 1;

FIG. 6 is a top view of the flashlight of FIG. 1; and,

FIG. 7 is a bottom view of the flashlight of FIG. 1.

The broken lines in the figures illustrate features that form no part of the claimed design.

1 Claim, 7 Drawing Sheets



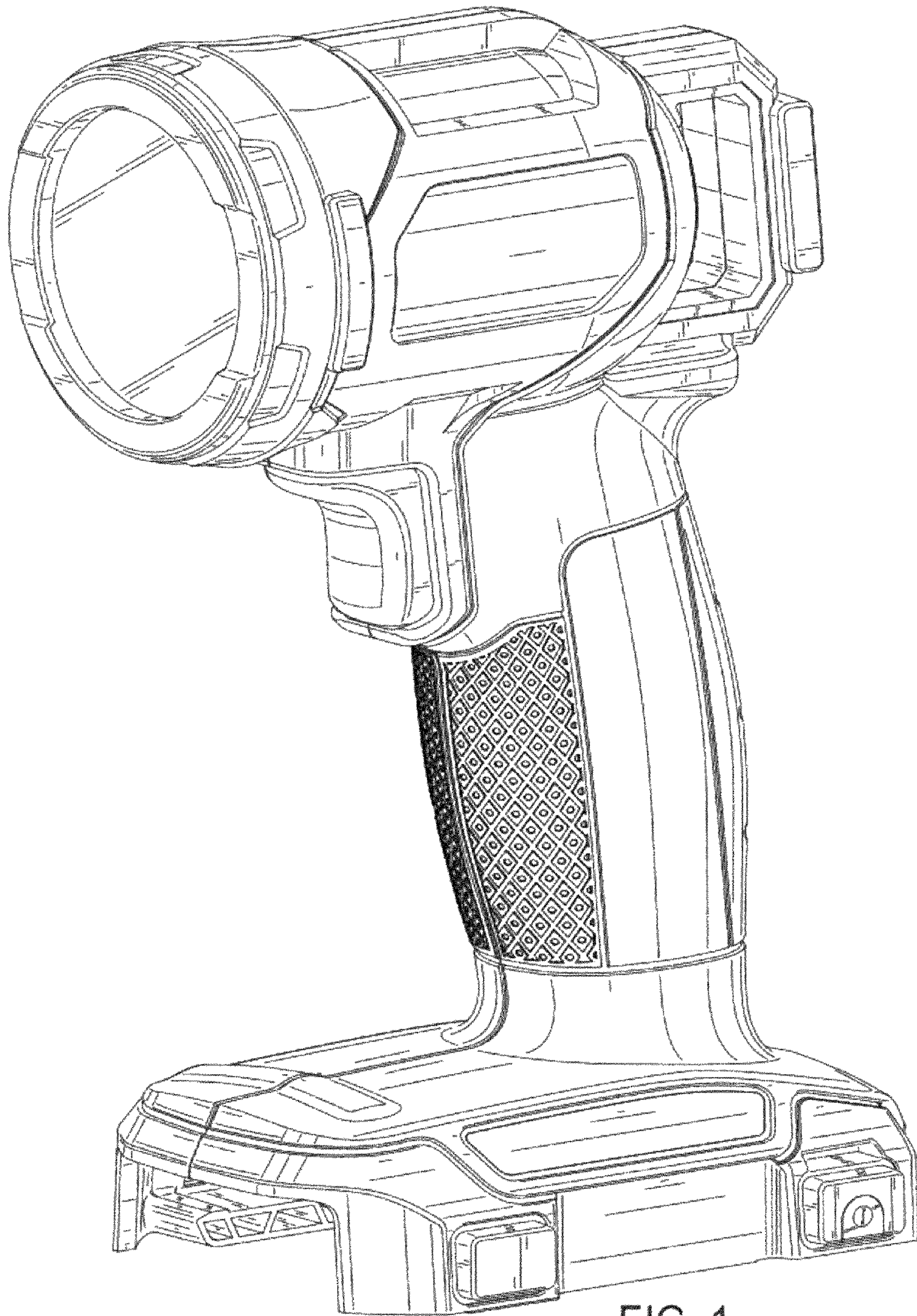


FIG. 1

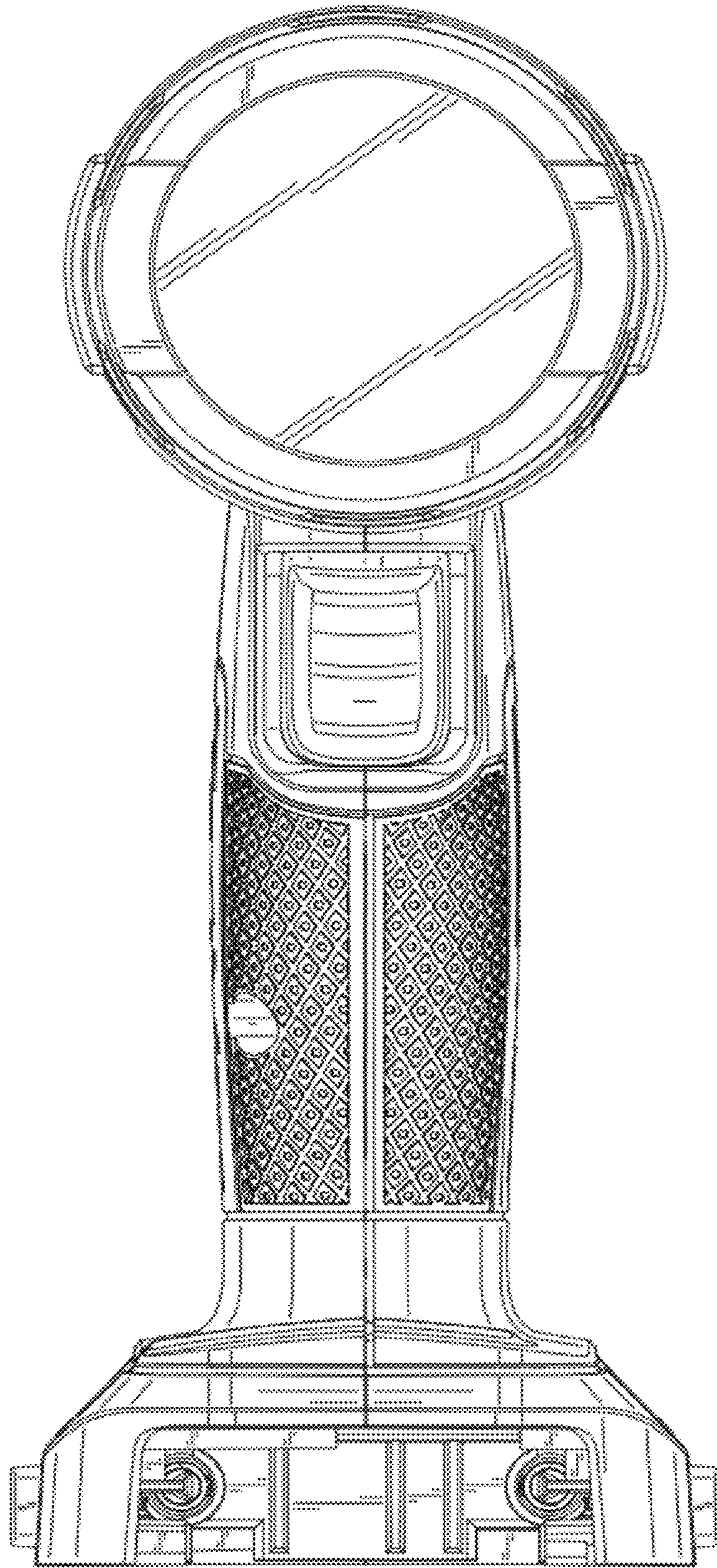


FIG. 2

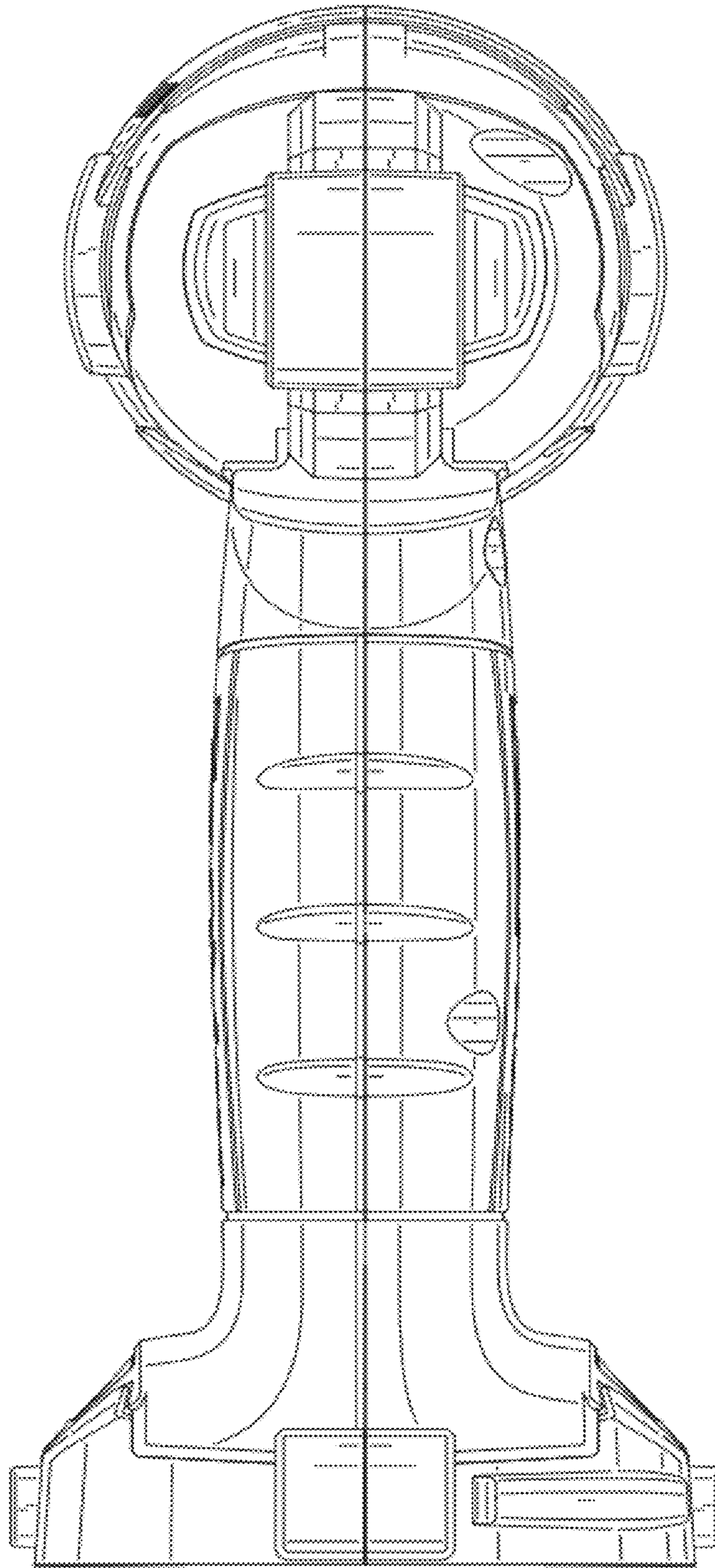


FIG. 3

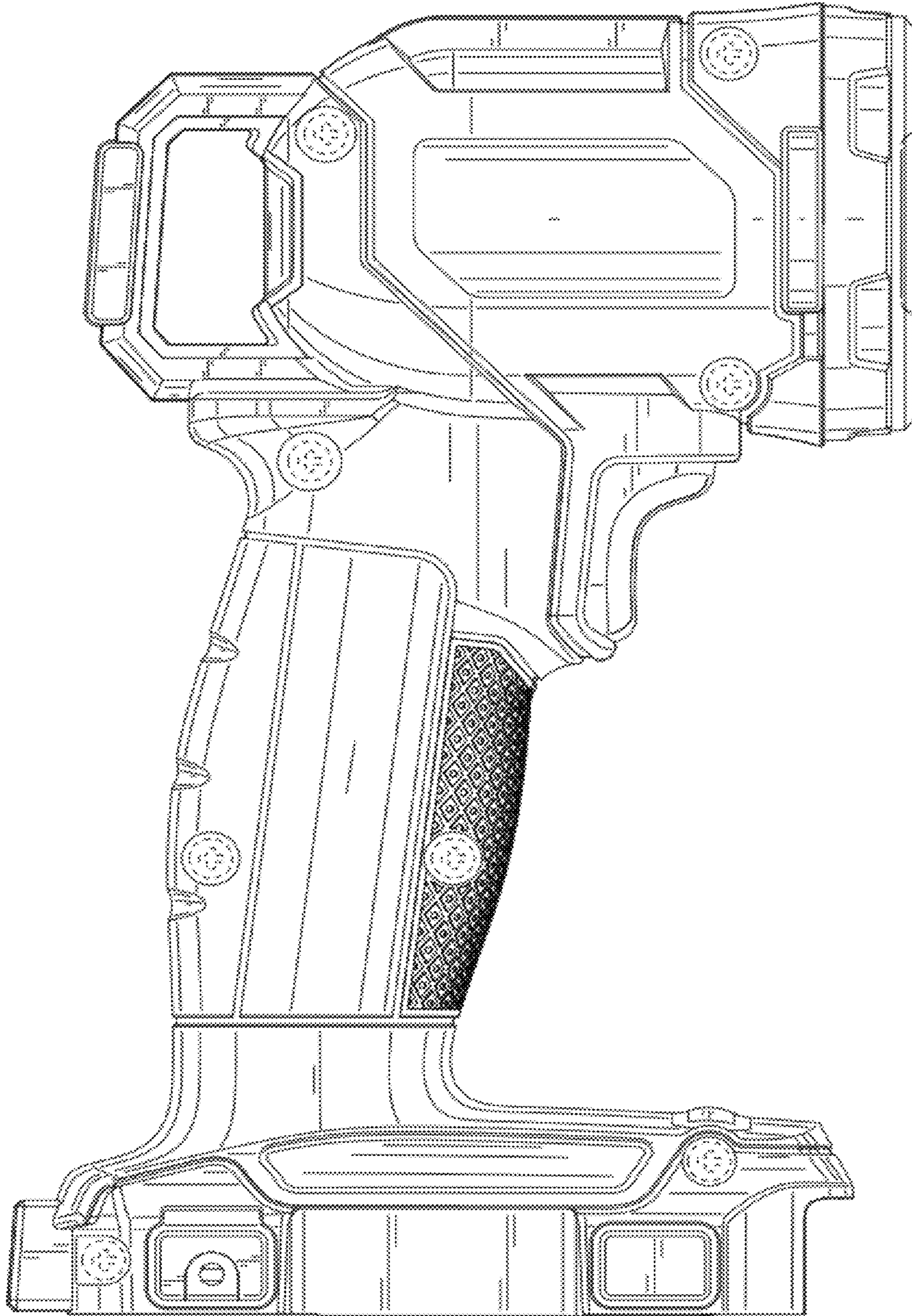


FIG. 4

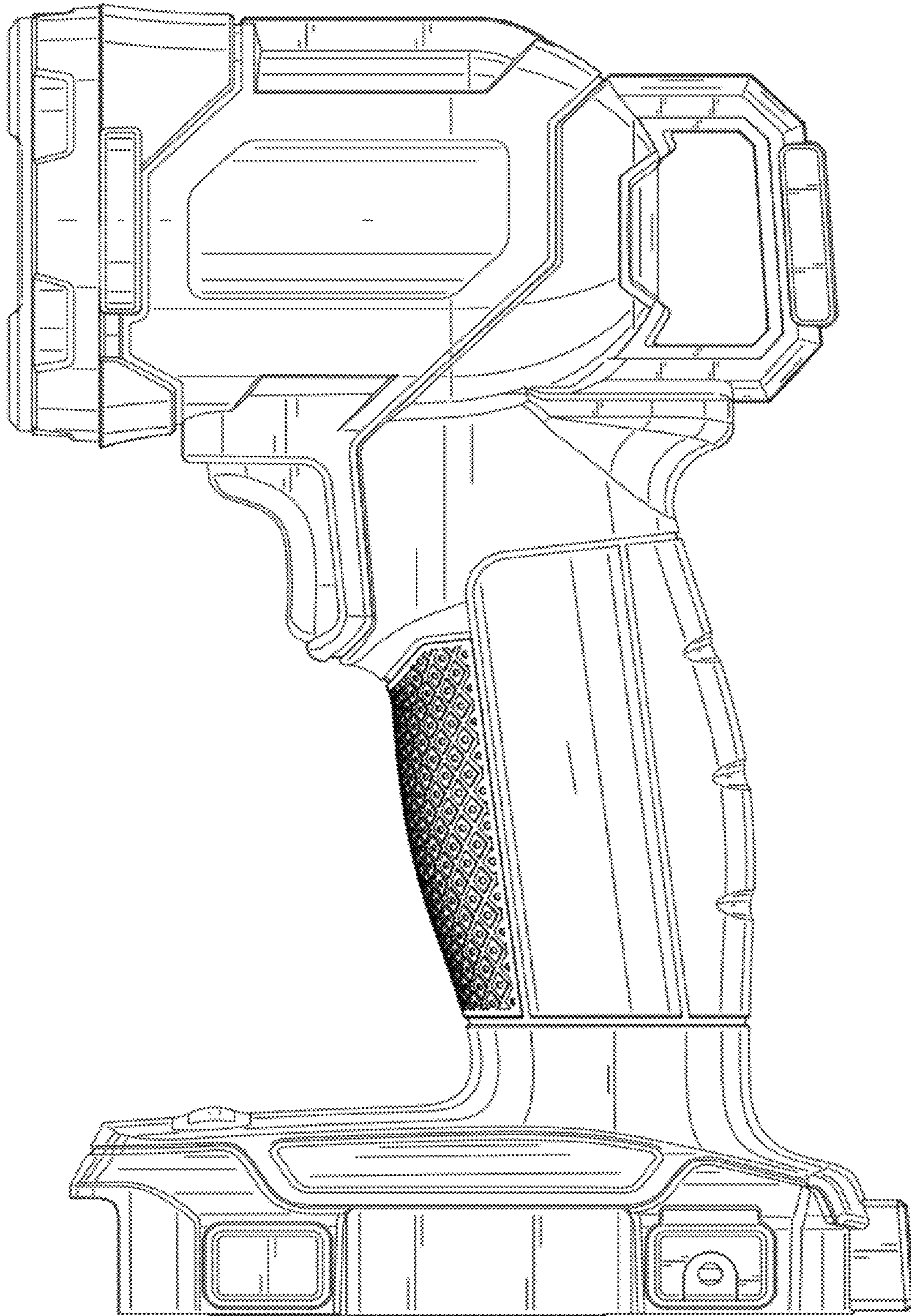


FIG. 5

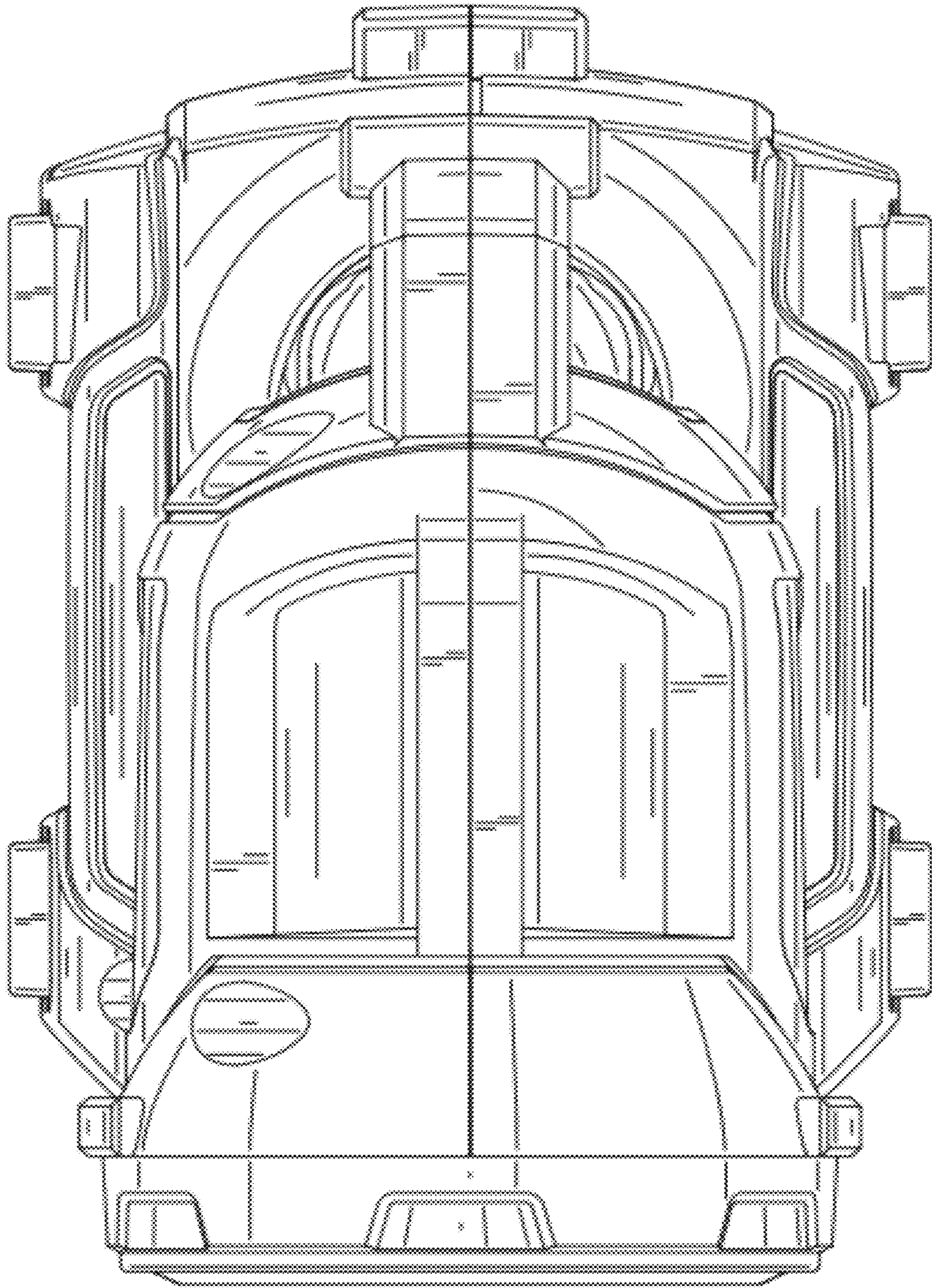


FIG. 6

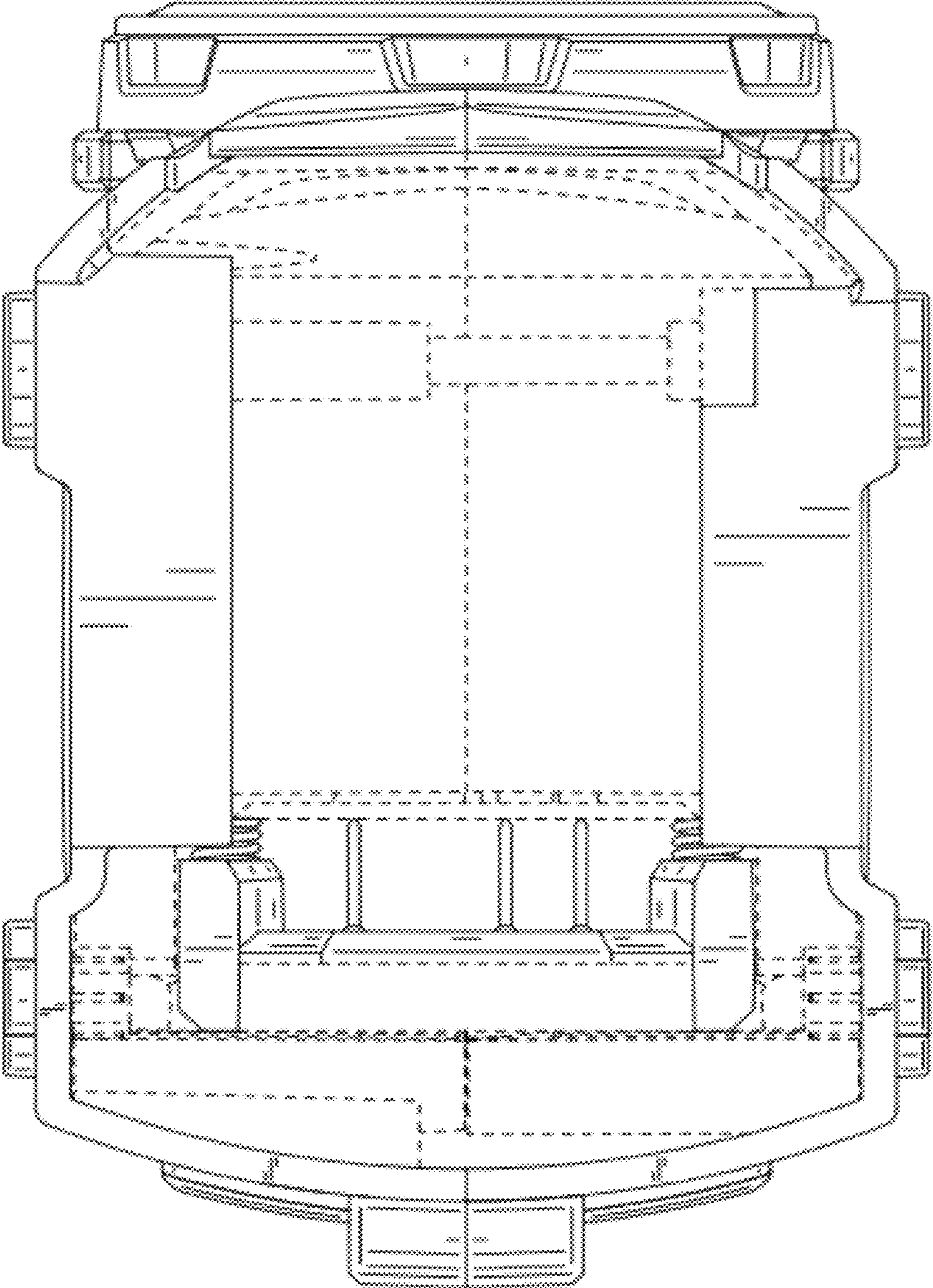


FIG. 7