

US00D662238S

(12) **United States Design Patent**
Chen

(10) **Patent No.:** **US D662,238 S**

(45) **Date of Patent:** **** Jun. 19, 2012**

(54) **LED LIGHT**

(75) **Inventor:** **John Chen**, Redwood City, CA (US)

(73) **Assignee:** **Asian Import Store, Inc.**, San Carlos, CA (US)

(**) **Term:** **14 Years**

(21) **Appl. No.:** **29/406,815**

(22) **Filed:** **Nov. 18, 2011**

(51) **LOC (9) Cl.** **26-02**

(52) **U.S. Cl.** **D26/37**

(58) **Field of Classification Search** D26/37,
D26/38, 39, 40, 43, 45, 46, 49, 51; 362/157,
362/158, 183, 194–197, 200–208

See application file for complete search history.

(56) **References Cited**

U.S. PATENT DOCUMENTS

| | | | | |
|--------------|---------|-----------------|-------|--------|
| D525,536 S * | 7/2006 | Chan | | D10/2 |
| D553,276 S * | 10/2007 | Campbell et al. | | D26/37 |
| D561,924 S * | 2/2008 | Yiu | | D26/72 |
| D588,291 S * | 3/2009 | VanderWoude | | D26/37 |

| | | | | |
|--------------|--------|---------------|-------|--------|
| D599,923 S * | 9/2009 | Shiu | | D26/40 |
| D607,360 S * | 1/2010 | Arosio | | D26/51 |
| D608,035 S * | 1/2010 | Lee | | D26/37 |
| D638,152 S * | 5/2011 | Leung | | D26/40 |
| D643,138 S * | 8/2011 | Kawase et al. | | D26/37 |

* cited by examiner

Primary Examiner — Ian Simmons

Assistant Examiner — Carissa C Fitts

(74) *Attorney, Agent, or Firm* — Sinorica, LLC

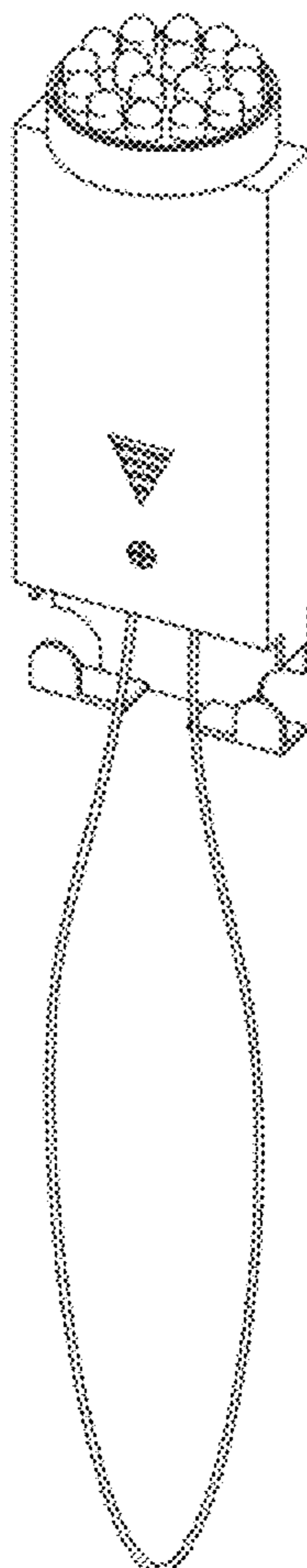
(57) **CLAIM**

The ornamental design for an LED light, as shown and described.

DESCRIPTION

FIG. 1 is a perspective view of an LED light;
FIG. 2 is a front elevational view thereof;
FIG. 3 is a rear elevational view thereof;
FIG. 4 is a right-side elevational view thereof, the left-side
elevational view being a mirror image;
FIG. 5 is a bottom plan view thereof; and,
FIG. 6 is a top plan view thereof.

1 Claim, 5 Drawing Sheets



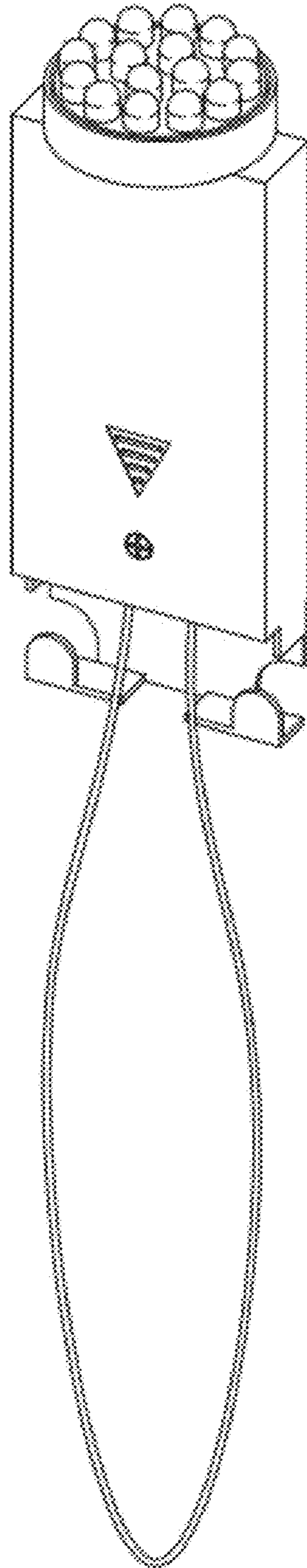


FIG. 1

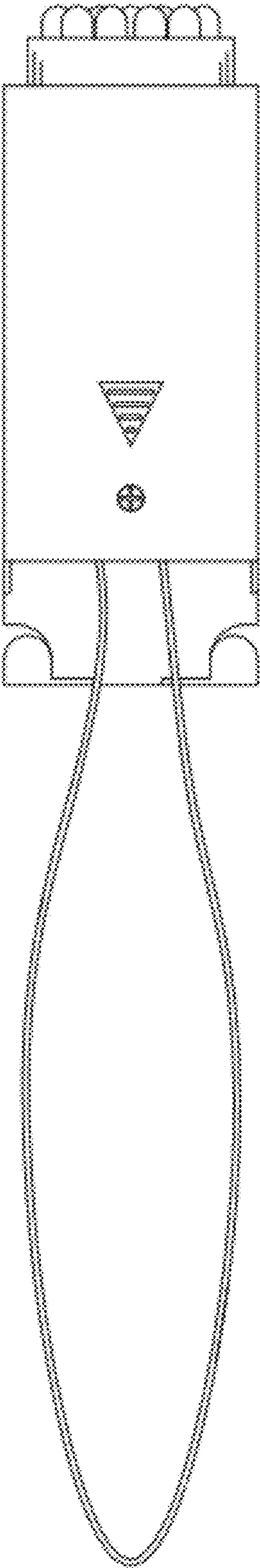


FIG. 2

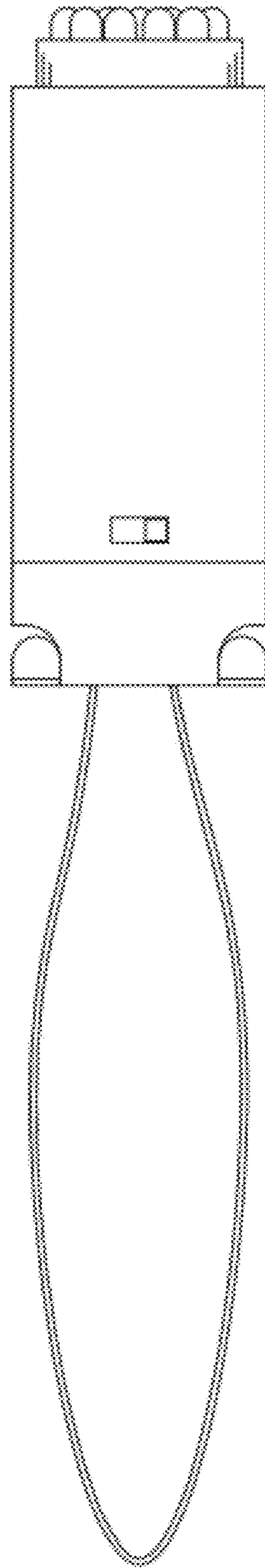


FIG. 3

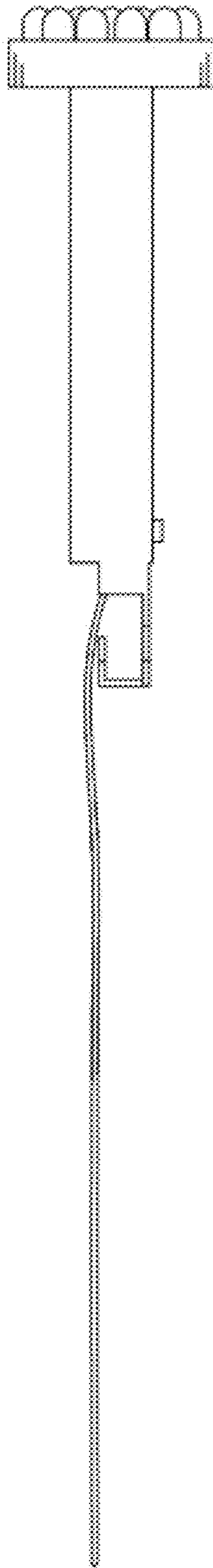


FIG. 4

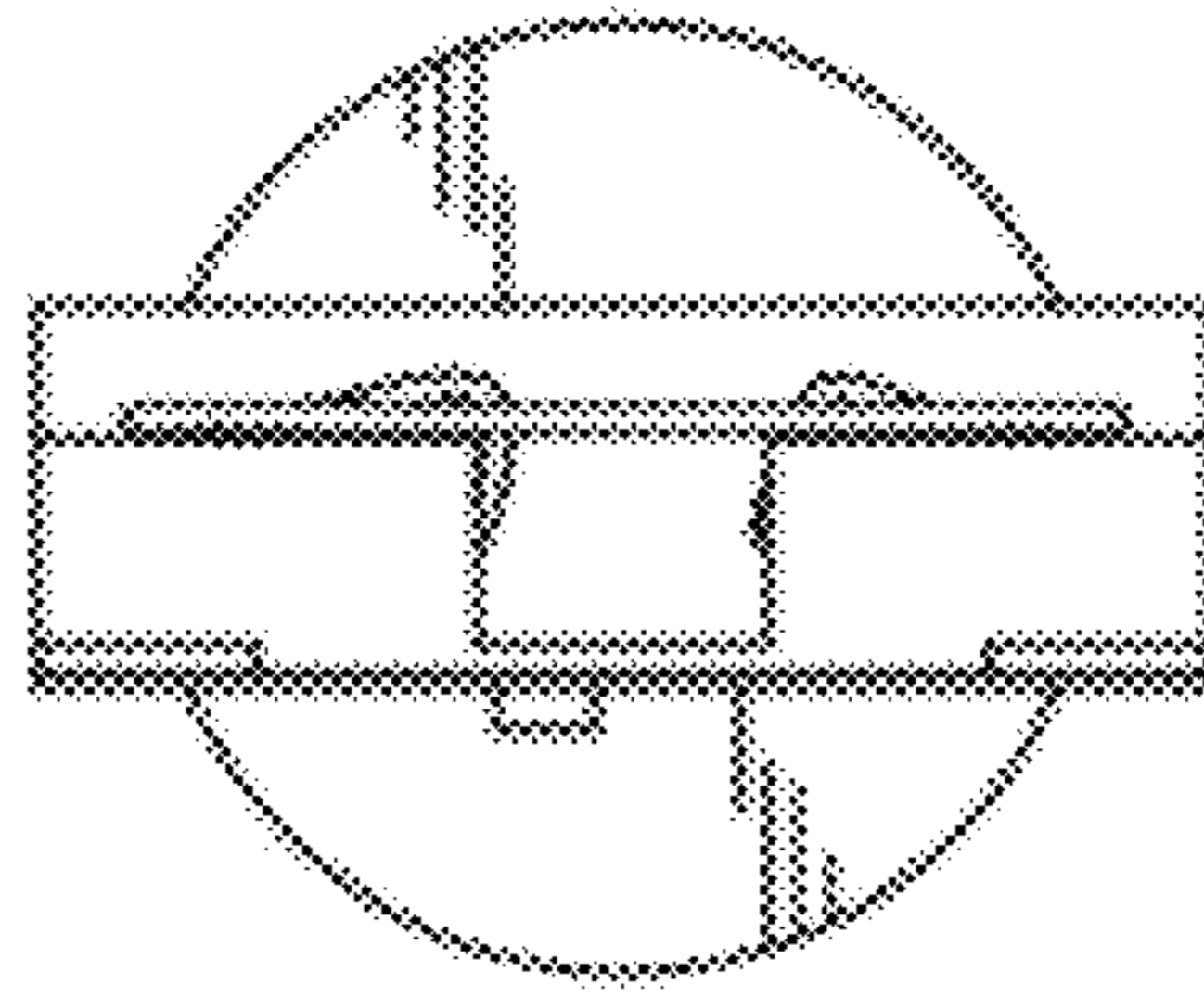


FIG. 5

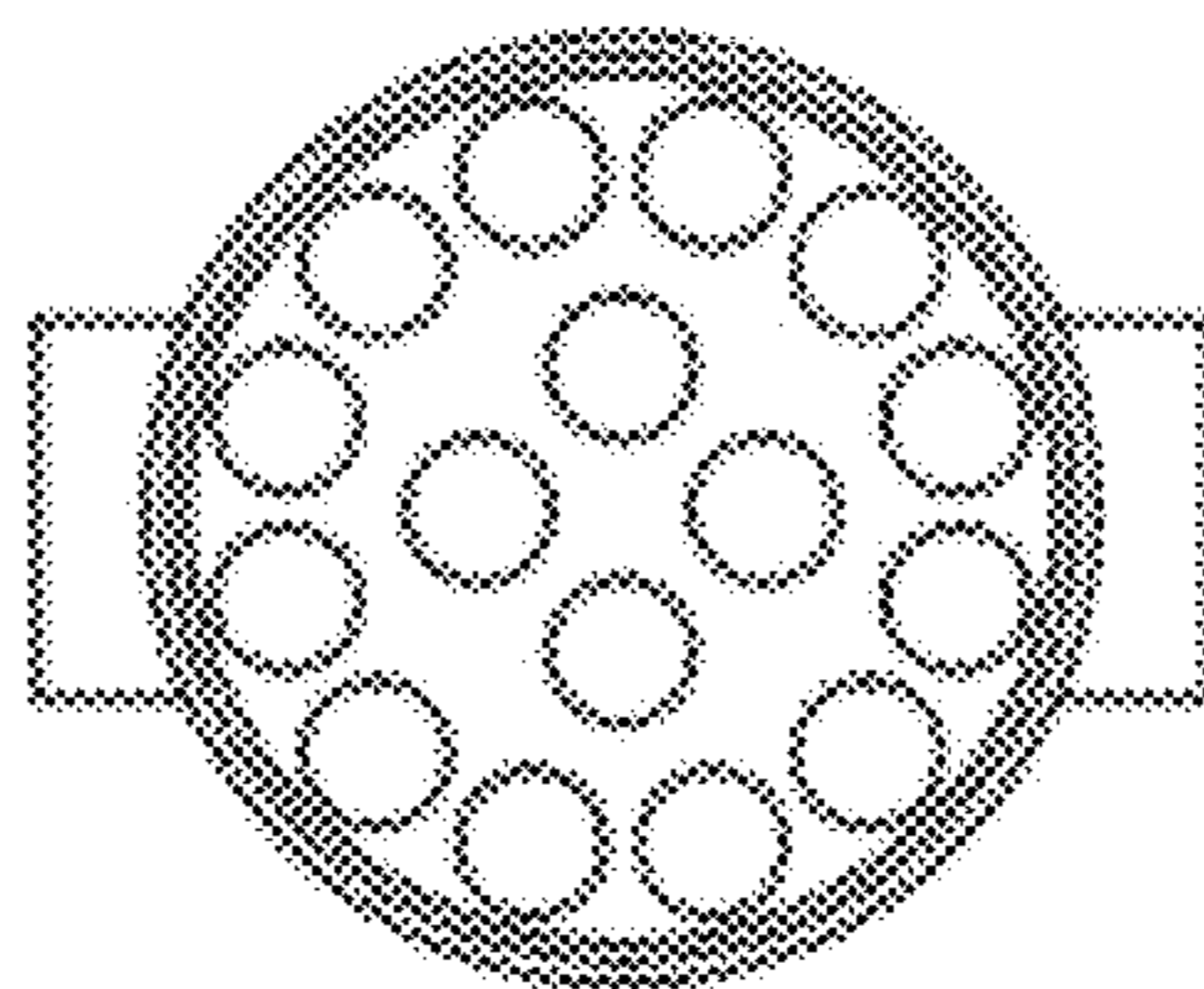


FIG. 6