



US00D662234S

(12) **United States Design Patent**  
**Zhou**

(10) **Patent No.:** **US D662,234 S**  
(45) **Date of Patent:** **\*\* Jun. 19, 2012**

(54) **LED LAMP**

(75) Inventor: **Nanqing Zhou**, Xiamen (CN)

(73) Assignee: **Mainhouse (Xiamen) Electronics Co., Ltd.**, Xiamen, Fujian Province (CN)

(\*\*) Term: **14 Years**

(21) Appl. No.: **29/398,912**

(22) Filed: **Aug. 5, 2011**

(30) **Foreign Application Priority Data**

Feb. 22, 2011 (CN) ..... 2011 3 0026378

(51) **LOC (9) Cl.** ..... **26-04**

(52) **U.S. Cl.** ..... **D26/2**

(58) **Field of Classification Search** ..... D26/1-4;  
313/313, 315, 316, 317, 318, 493; 315/52,  
315/53, 56, 57, 58

See application file for complete search history.

(56) **References Cited**

**U.S. PATENT DOCUMENTS**

D531,741 S \* 11/2006 Takahashi ..... D26/2  
D538,953 S \* 3/2007 Mama ..... D26/2

D548,369 S \* 8/2007 Bembridge et al. .... D26/2  
D549,360 S \* 8/2007 An ..... D26/2  
D550,864 S \* 9/2007 Hernandez et al. .... D26/2  
D553,267 S \* 10/2007 Yuen ..... D26/2  
D602,614 S \* 10/2009 Takahashi et al. .... D26/2  
D629,535 S \* 12/2010 Lee ..... D26/2

\* cited by examiner

*Primary Examiner* — Marcus Jackson

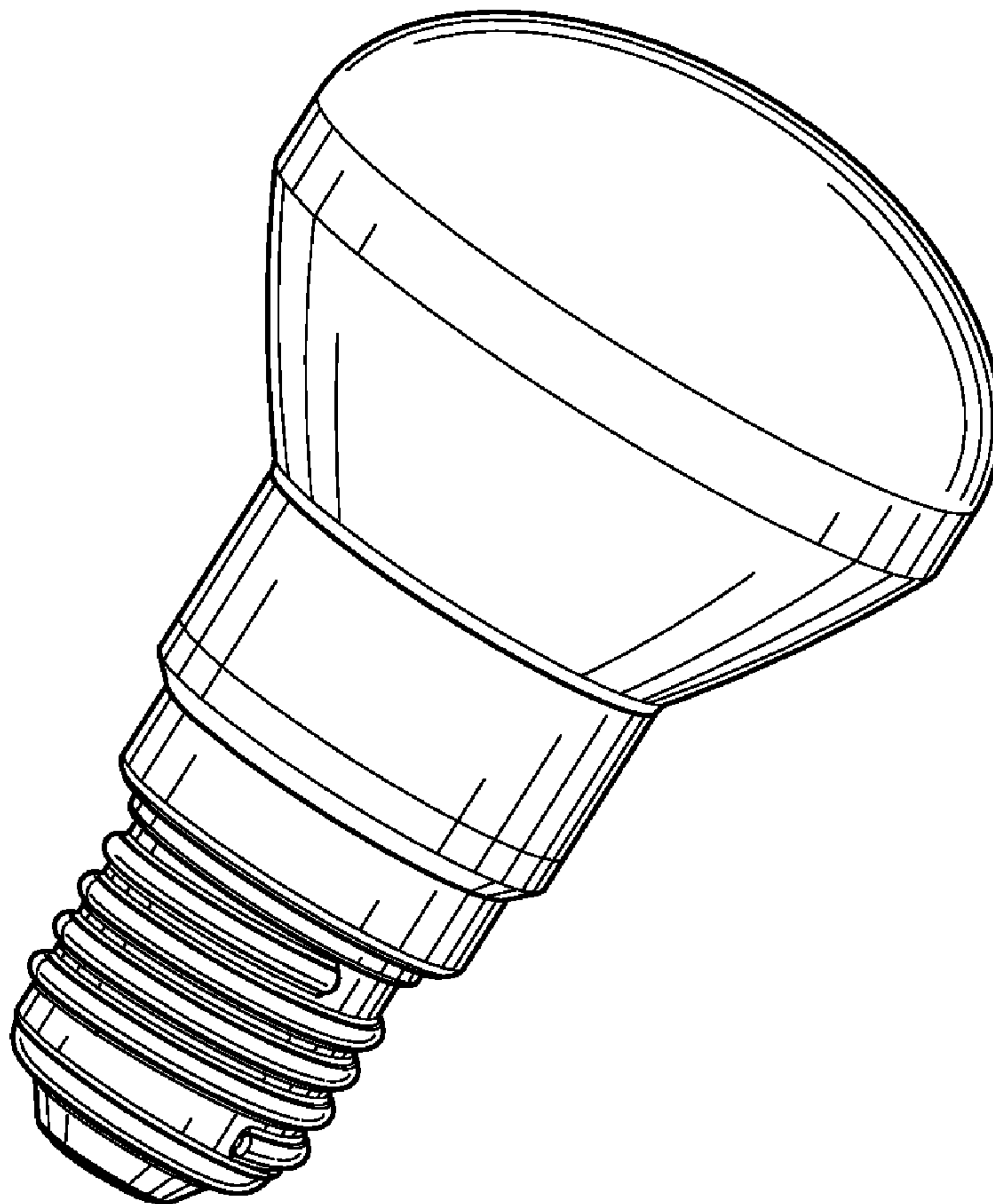
(57) **CLAIM**

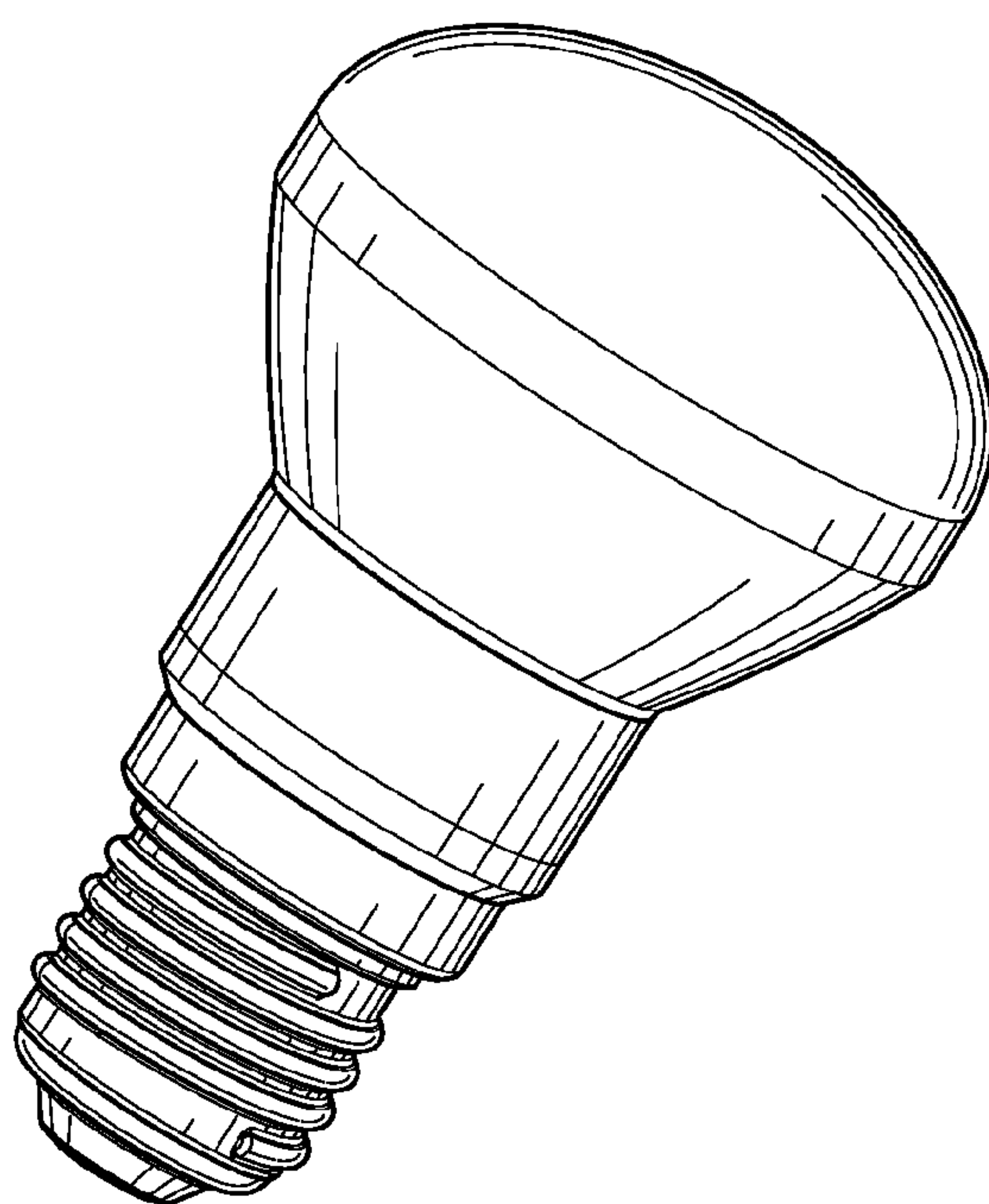
The ornamental design for a LED lamp, as shown and described.

**DESCRIPTION**

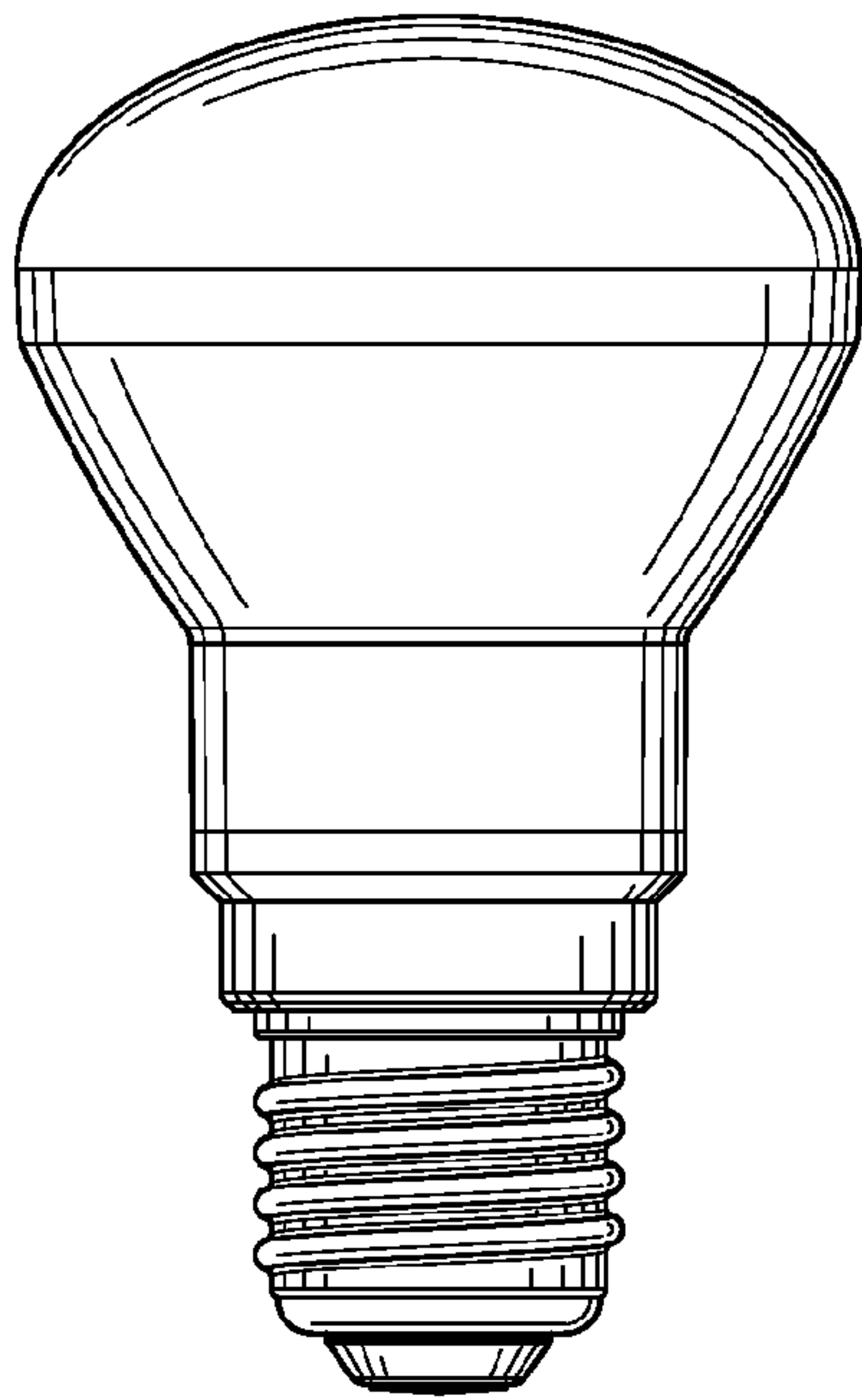
FIG. 1 is a perspective view of LED lamp showing my present design,  
FIG. 2 is a front view thereof;  
FIG. 3 is a rear view thereof;  
FIG. 4 is a left side view thereof;  
FIG. 5 is a right side view thereof;  
FIG. 6 is a top view thereof;  
FIG. 7 is a bottom view thereof; and,  
FIG. 8 is another perspective view of the LED lamp in accordance with the present design.

**1 Claim, 5 Drawing Sheets**

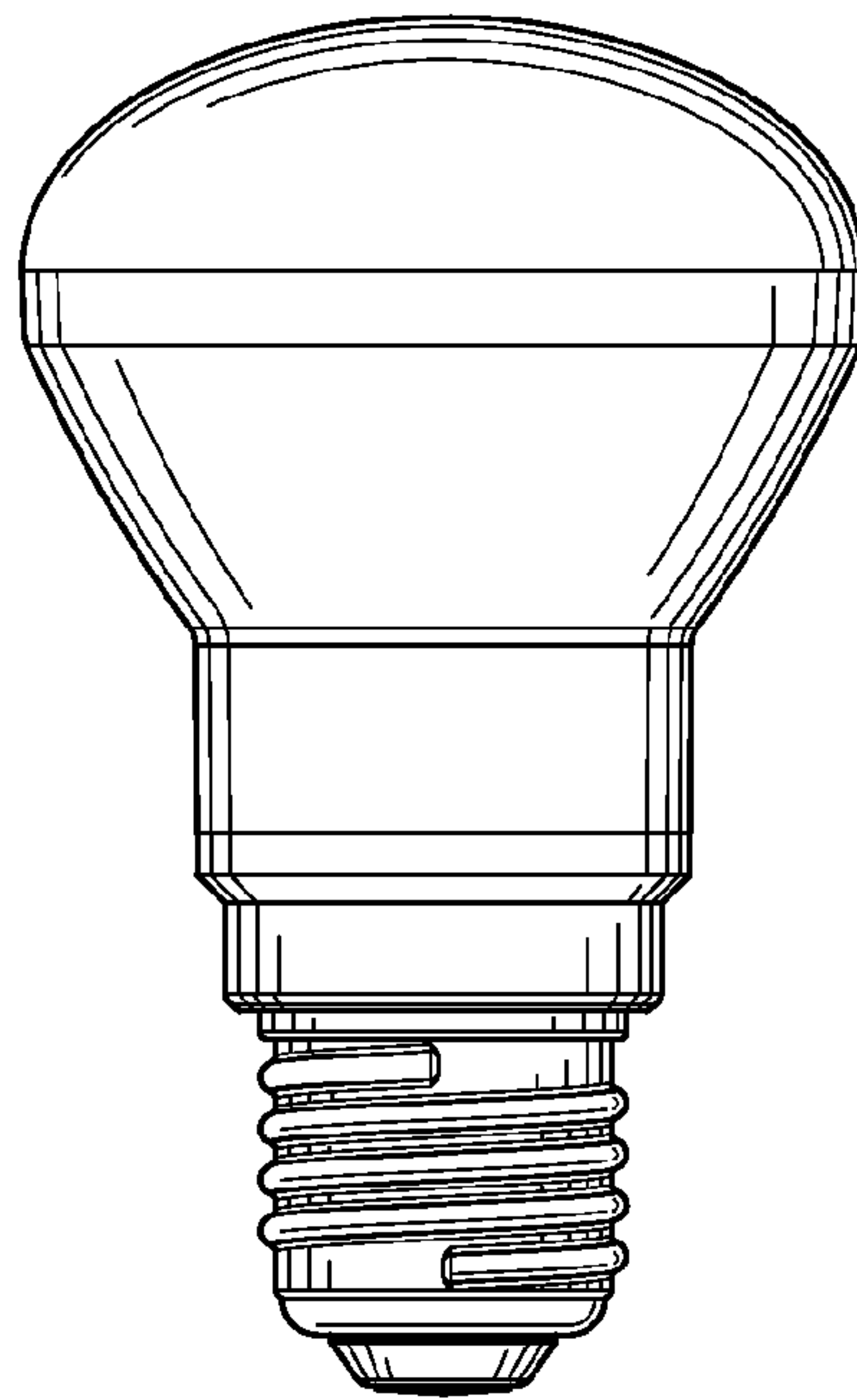




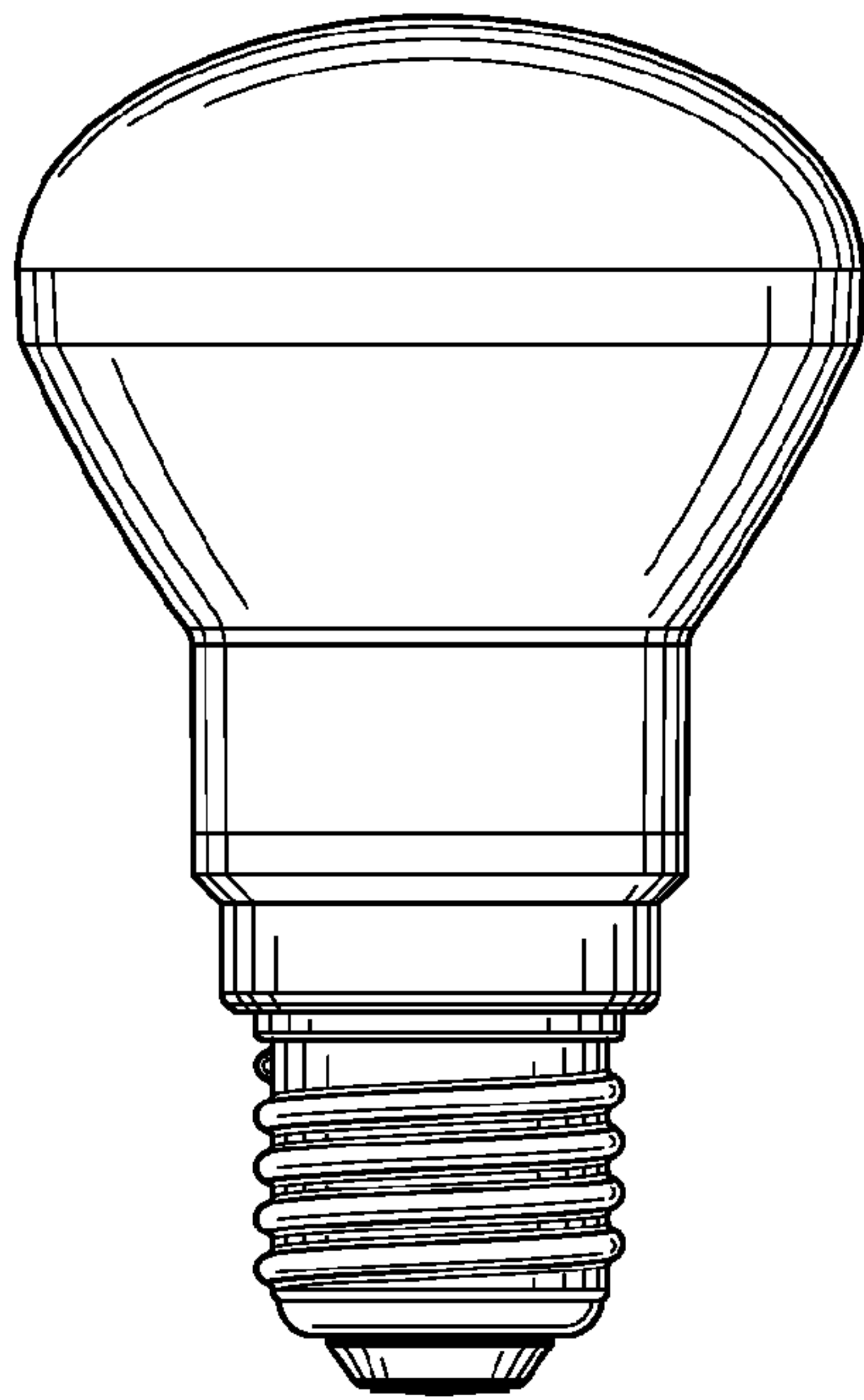
**FIG. 1**



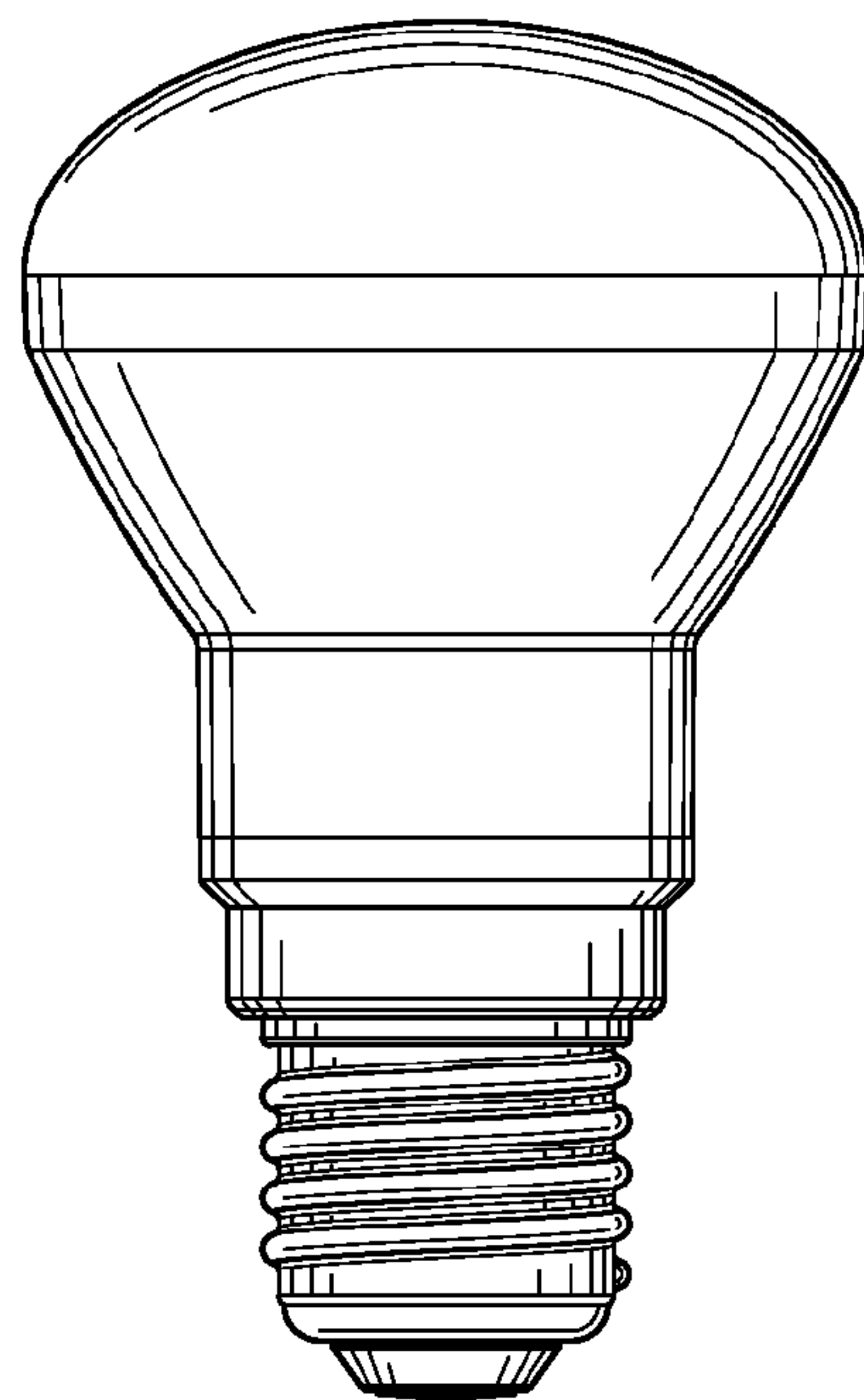
**FIG. 2**



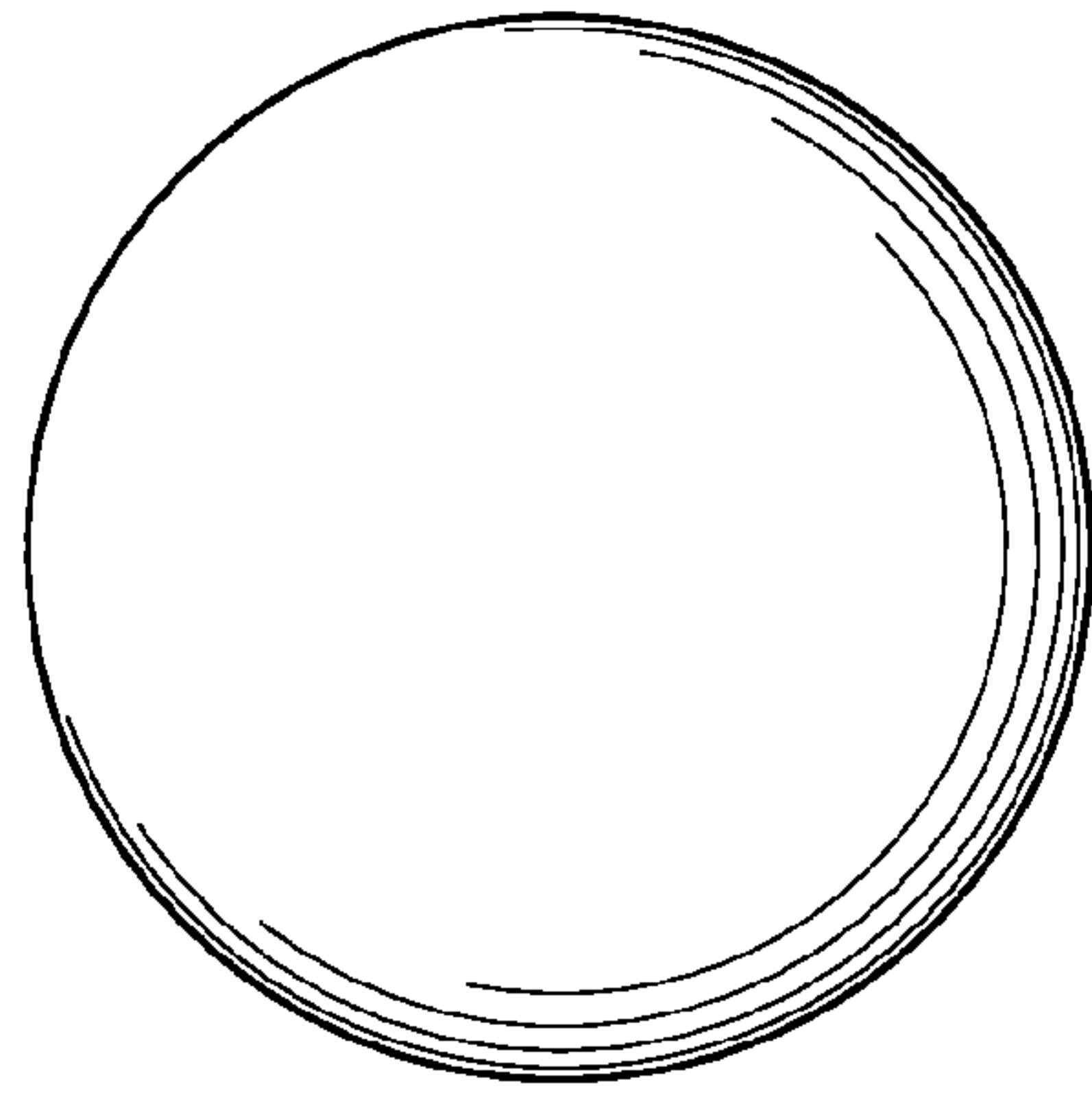
**FIG. 3**



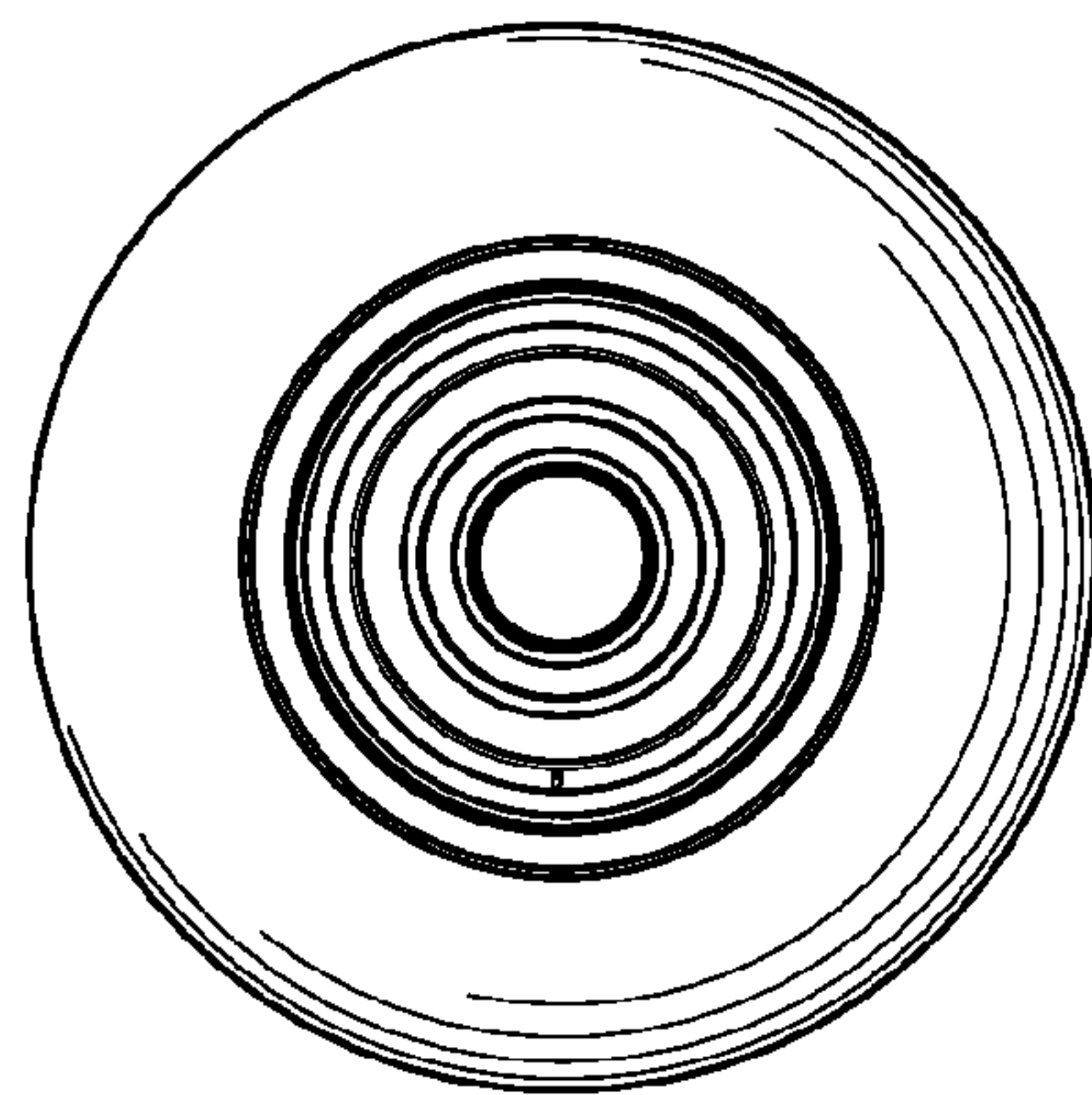
**FIG. 4**



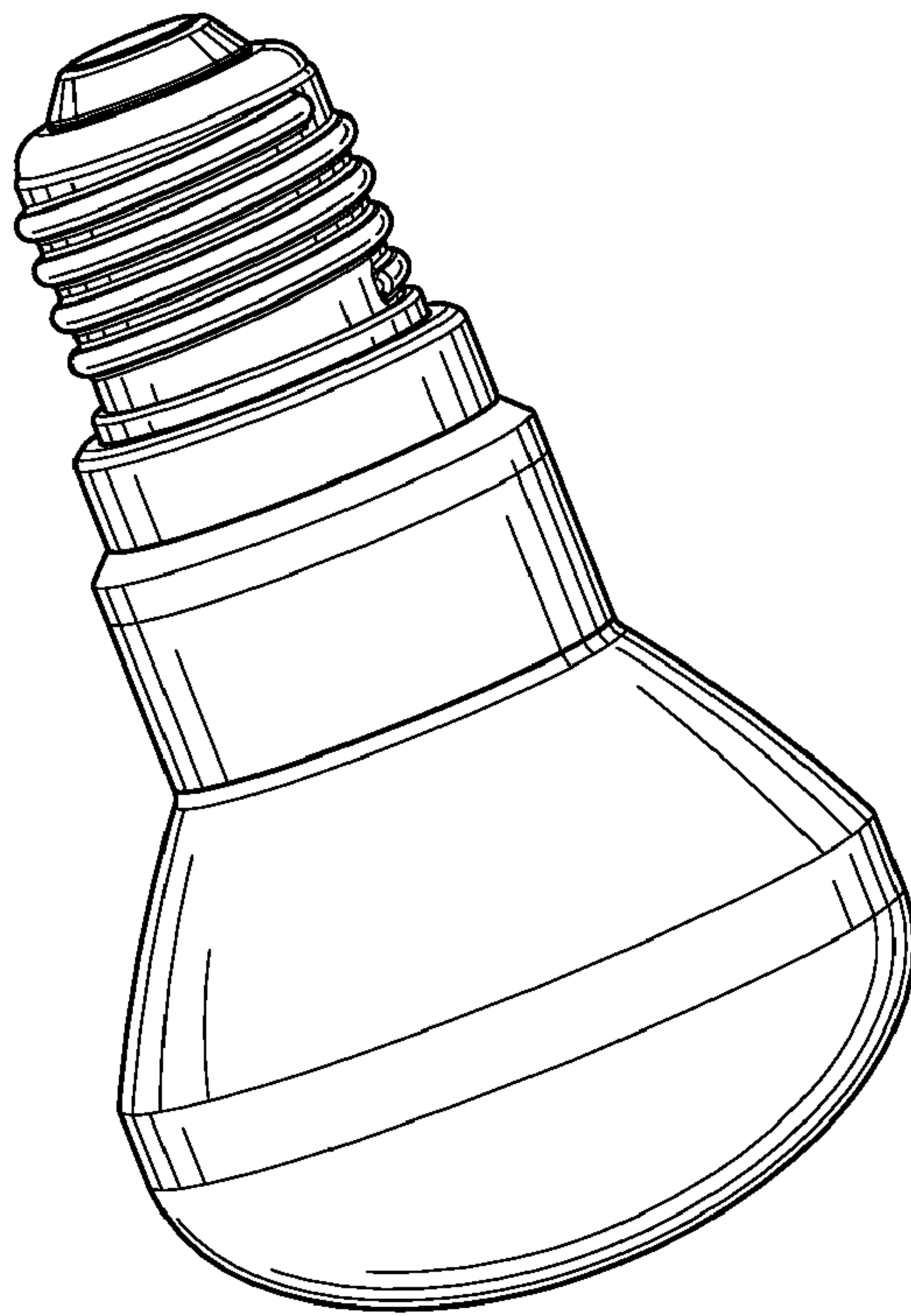
**FIG. 5**



**FIG. 6**



**FIG. 7**



**FIG. 8**