



US00D662233S

(12) **United States Design Patent**
Zhou

(10) **Patent No.:** **US D662,233 S**
(45) **Date of Patent:** **** Jun. 19, 2012**

(54) **LED LAMP**

(75) Inventor: **Nanqing Zhou**, Xiamen (CN)

(73) Assignee: **Mainhouse (Xiamen) Electronics Co., Ltd.**, Xiamen, Fujian Province (CN)

(**) Term: **14 Years**

(21) Appl. No.: **29/398,821**

(22) Filed: **Aug. 4, 2011**

(30) **Foreign Application Priority Data**

Feb. 22, 2011 (CN) 2011 3 0026378

(51) **LOC (9) Cl.** **26-04**

(52) **U.S. Cl.** **D26/2**

(58) **Field of Classification Search** D26/1-4;
313/313, 315, 316, 317, 318, 493; 315/52,
315/53, 56, 57, 58

See application file for complete search history.

(56) **References Cited**

U.S. PATENT DOCUMENTS

D531,741 S * 11/2006 Takahashi D26/2
D538,953 S * 3/2007 Mama D26/2

D548,369 S * 8/2007 Bembridge D26/2
D549,360 S * 8/2007 An D26/2
D550,864 S * 9/2007 Hernandez et al. D26/2
D553,267 S * 10/2007 Yuen D26/2
D602,614 S * 10/2009 Takahashi et al. D26/2
D629,535 S * 12/2010 Lee D26/2

* cited by examiner

Primary Examiner — Marcus Jackson

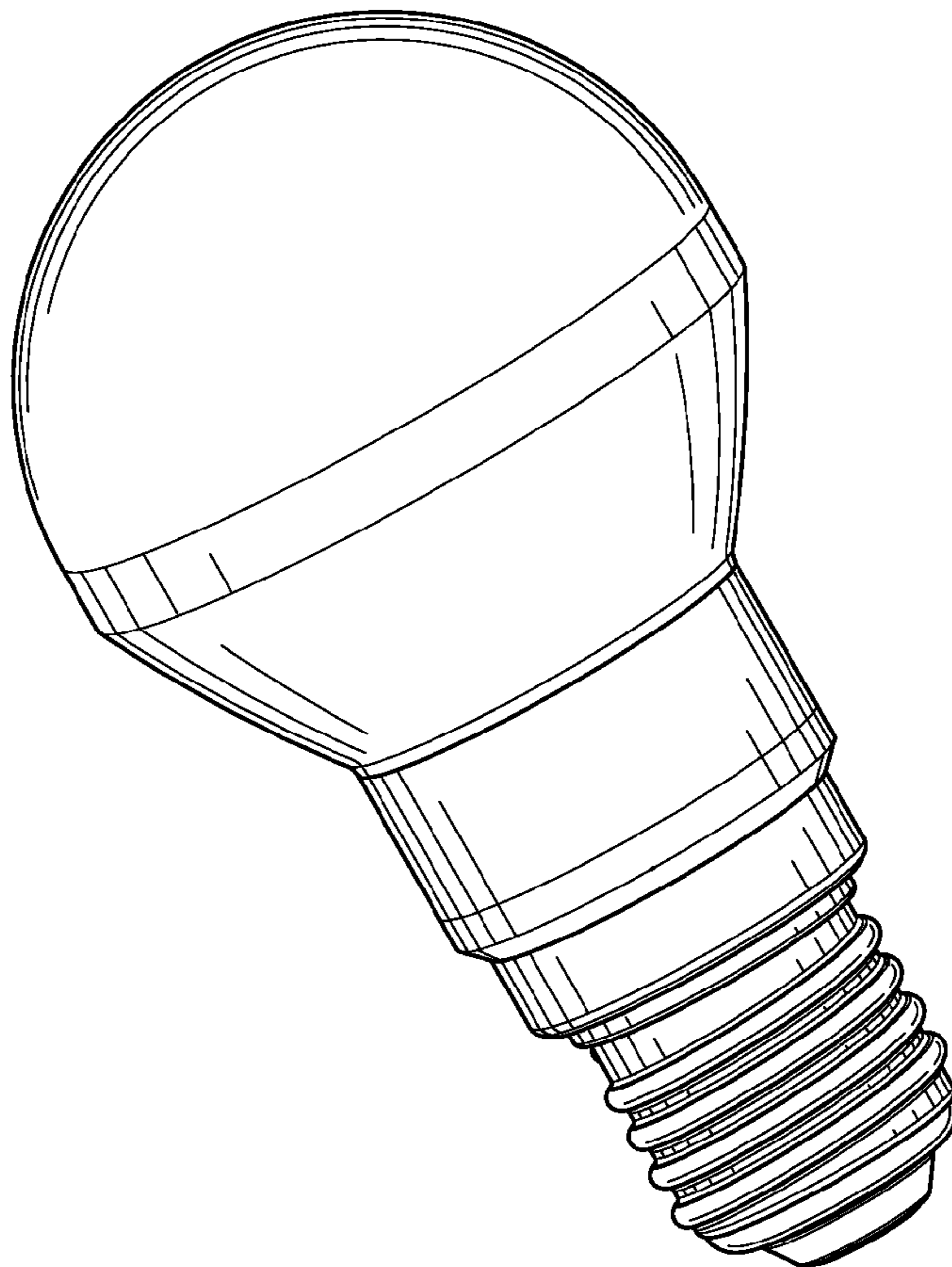
(57) **CLAIM**

The ornamental design for a LED lamp, as shown and described.

DESCRIPTION

FIG. 1 is a perspective view of LED lamp showing my present design,
FIG. 2 is a front view thereof;
FIG. 3 is a rear view thereof;
FIG. 4 is a left side view thereof;
FIG. 5 is a right side view thereof;
FIG. 6 is a top view thereof;
FIG. 7 is a bottom view thereof; and,
FIG. 8 is another perspective view of the LED lamp in accordance with the present design.

1 Claim, 5 Drawing Sheets



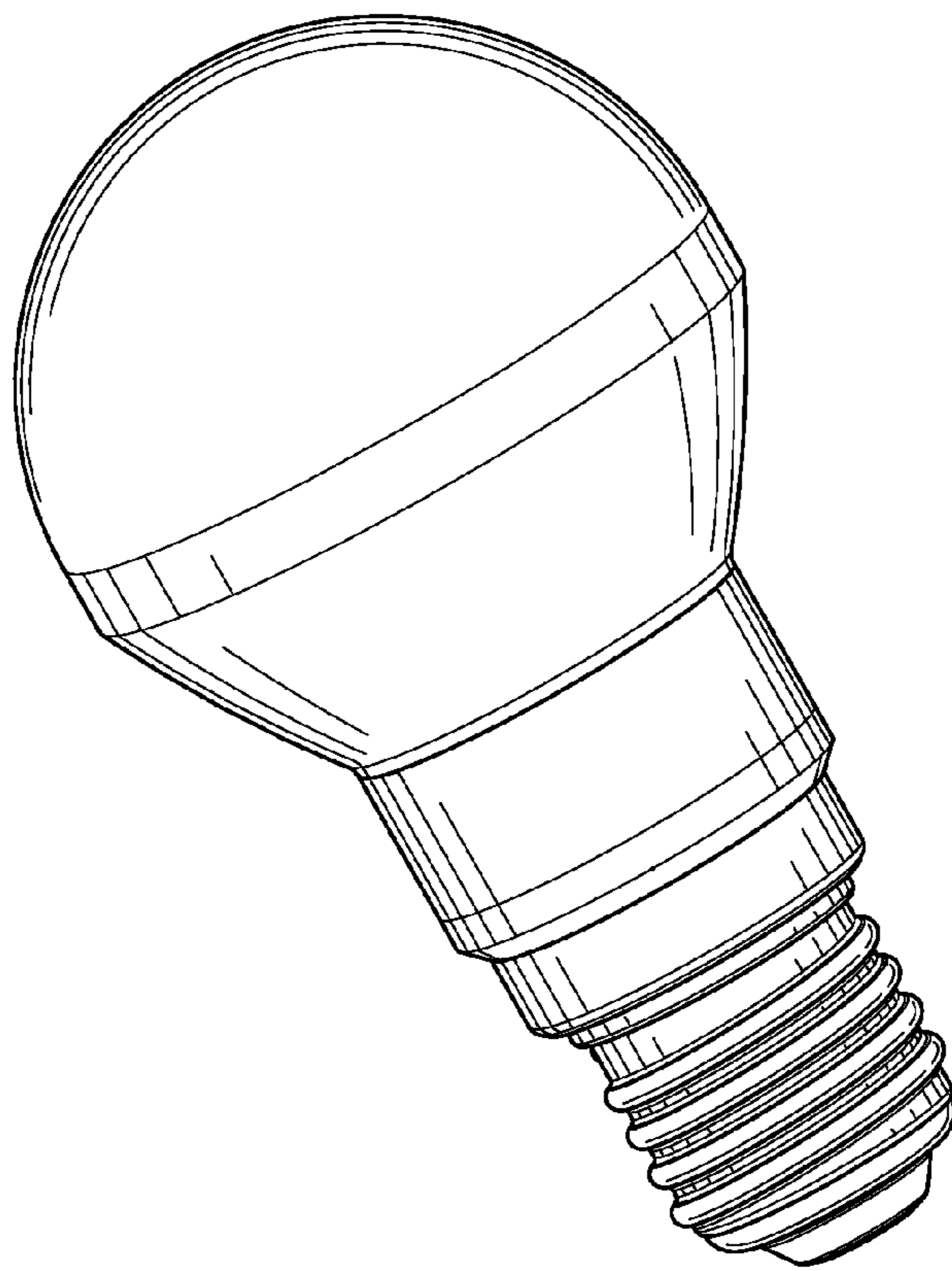


FIG. 1

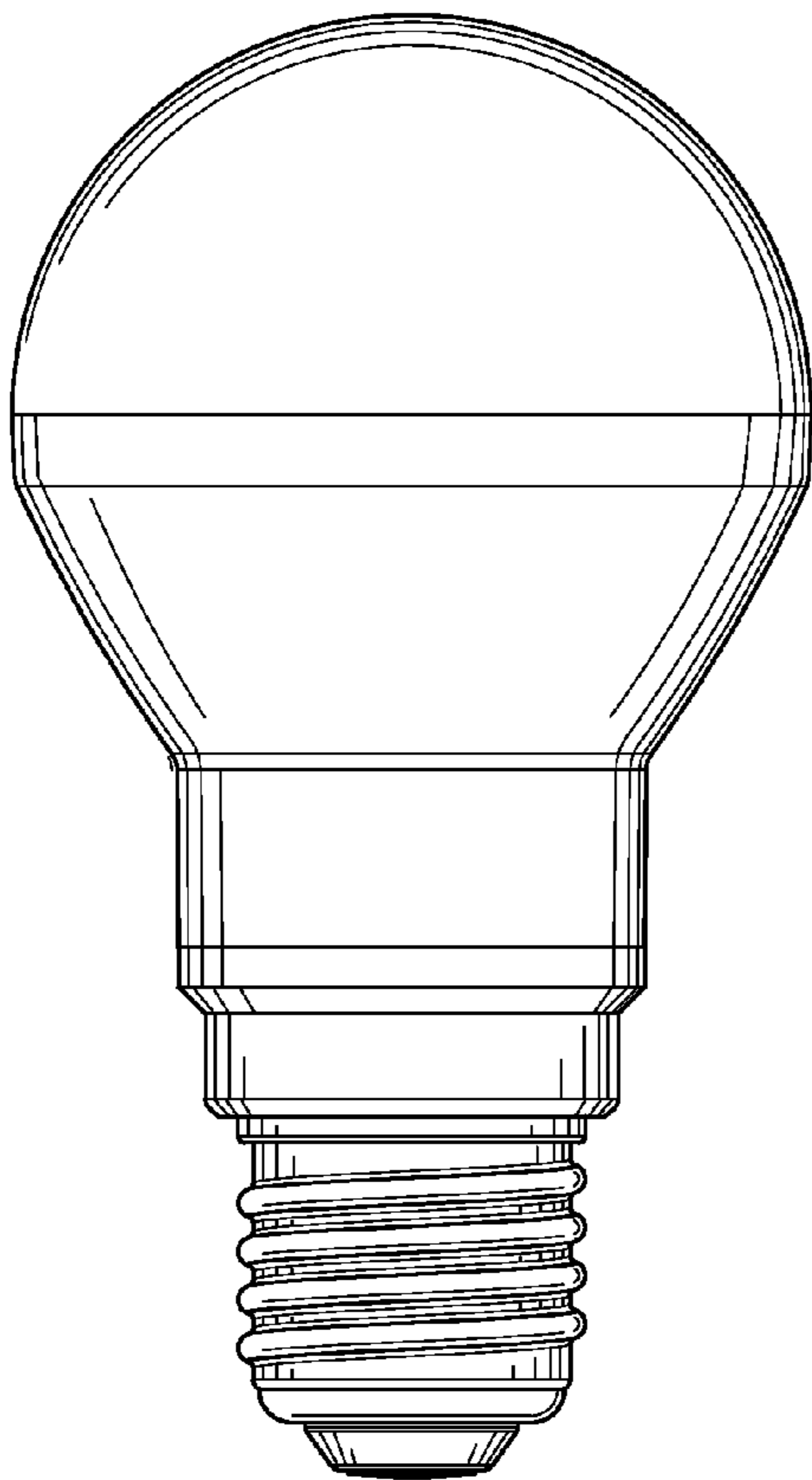


FIG. 2

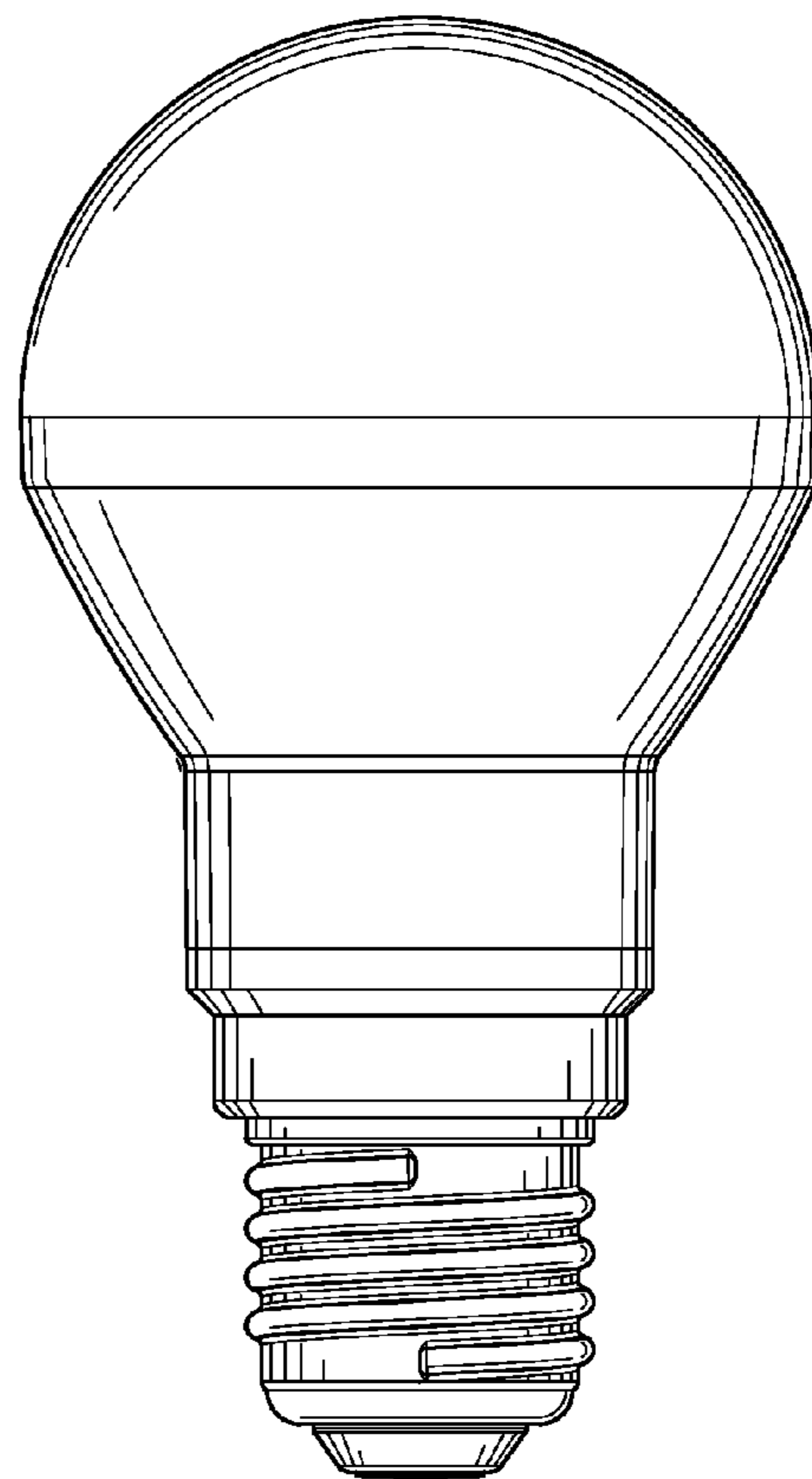


FIG. 3

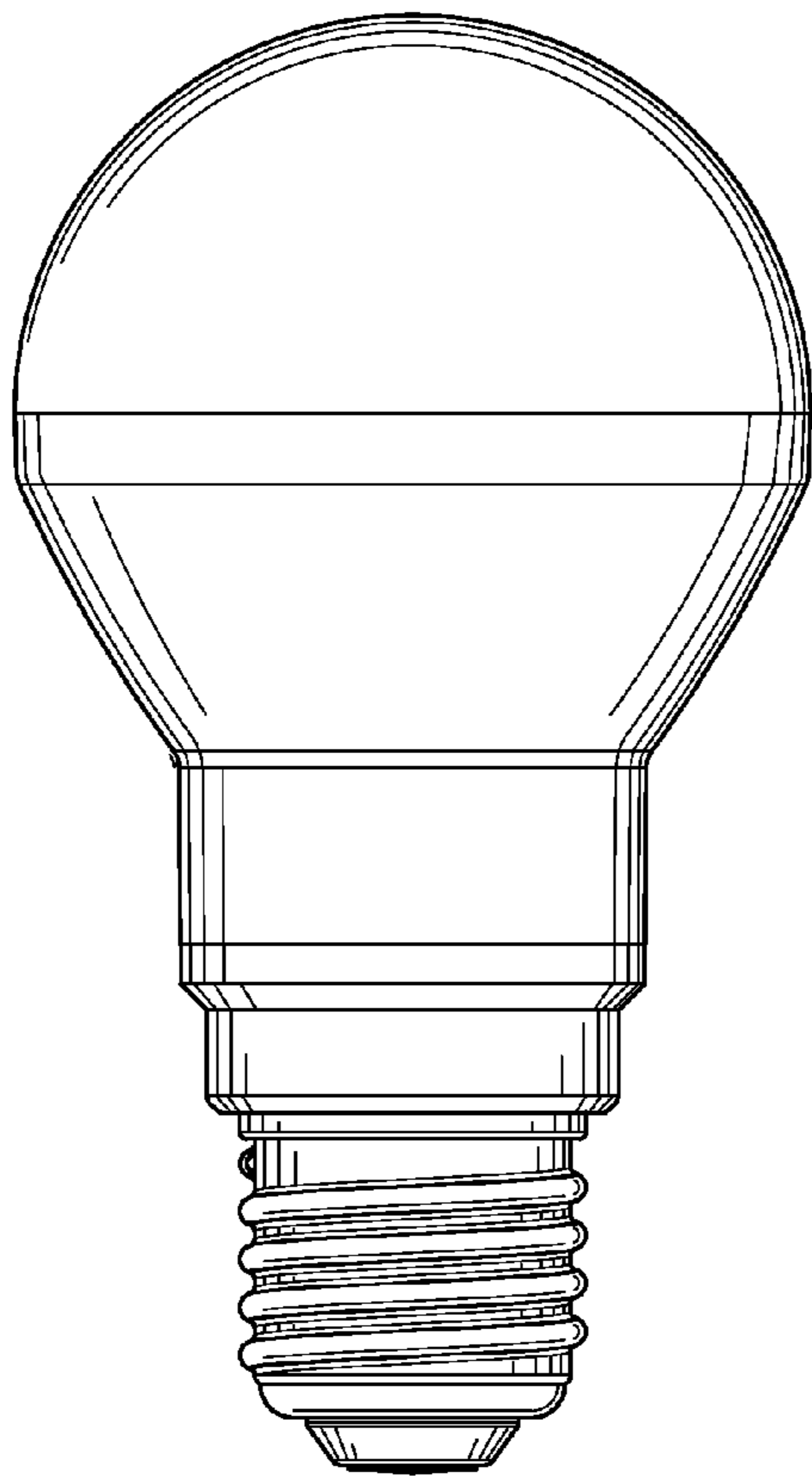


FIG. 4

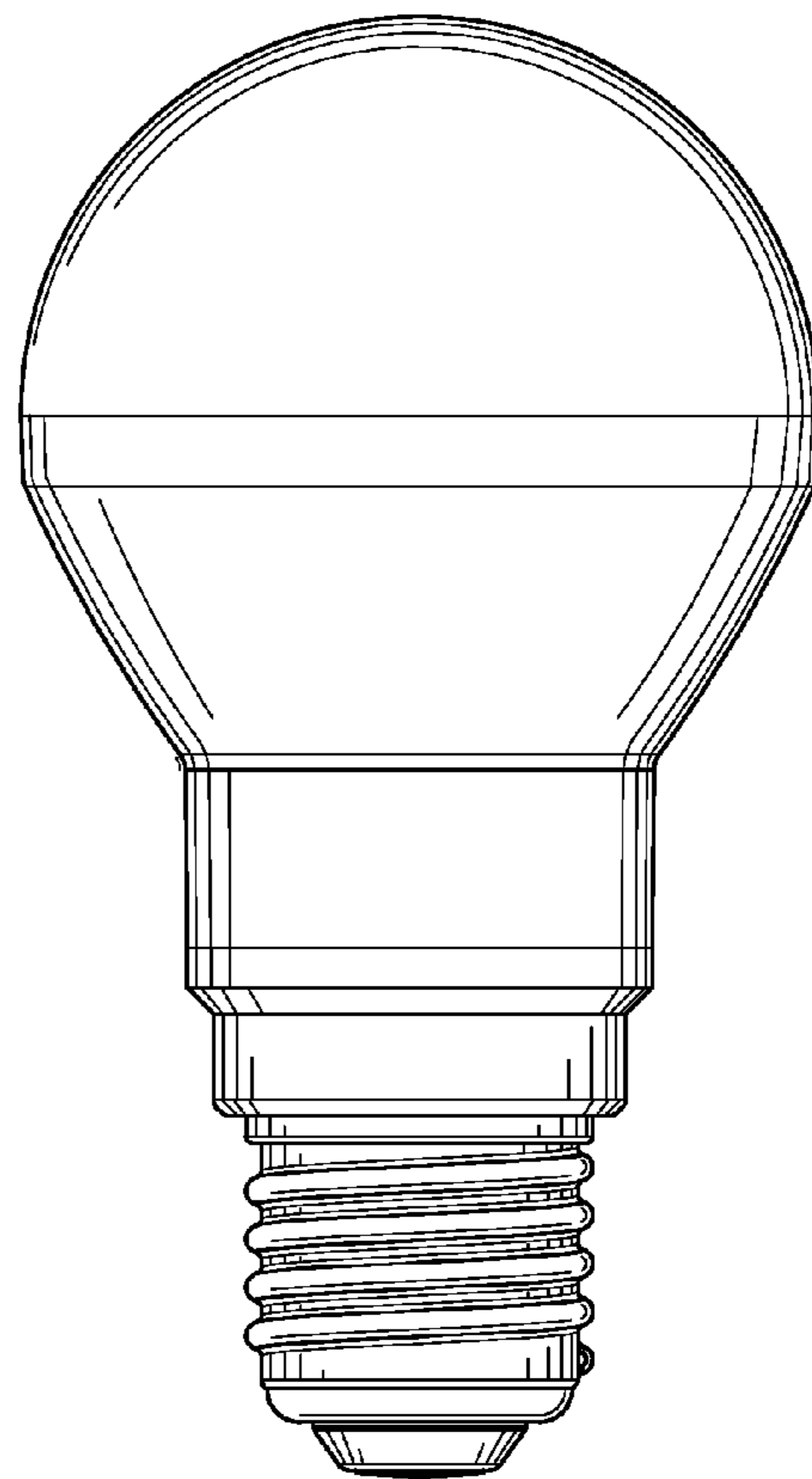


FIG. 5

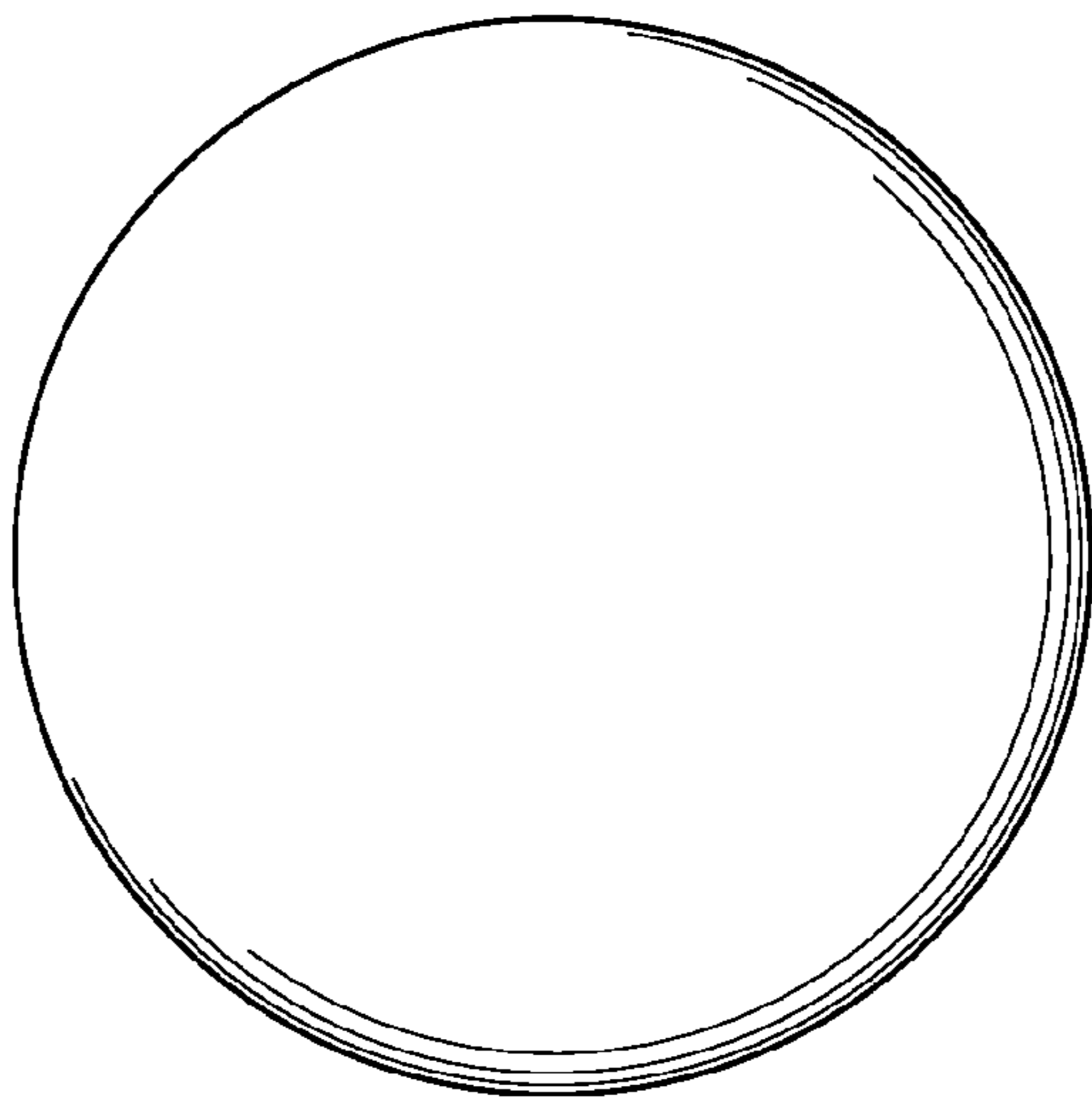


FIG. 6

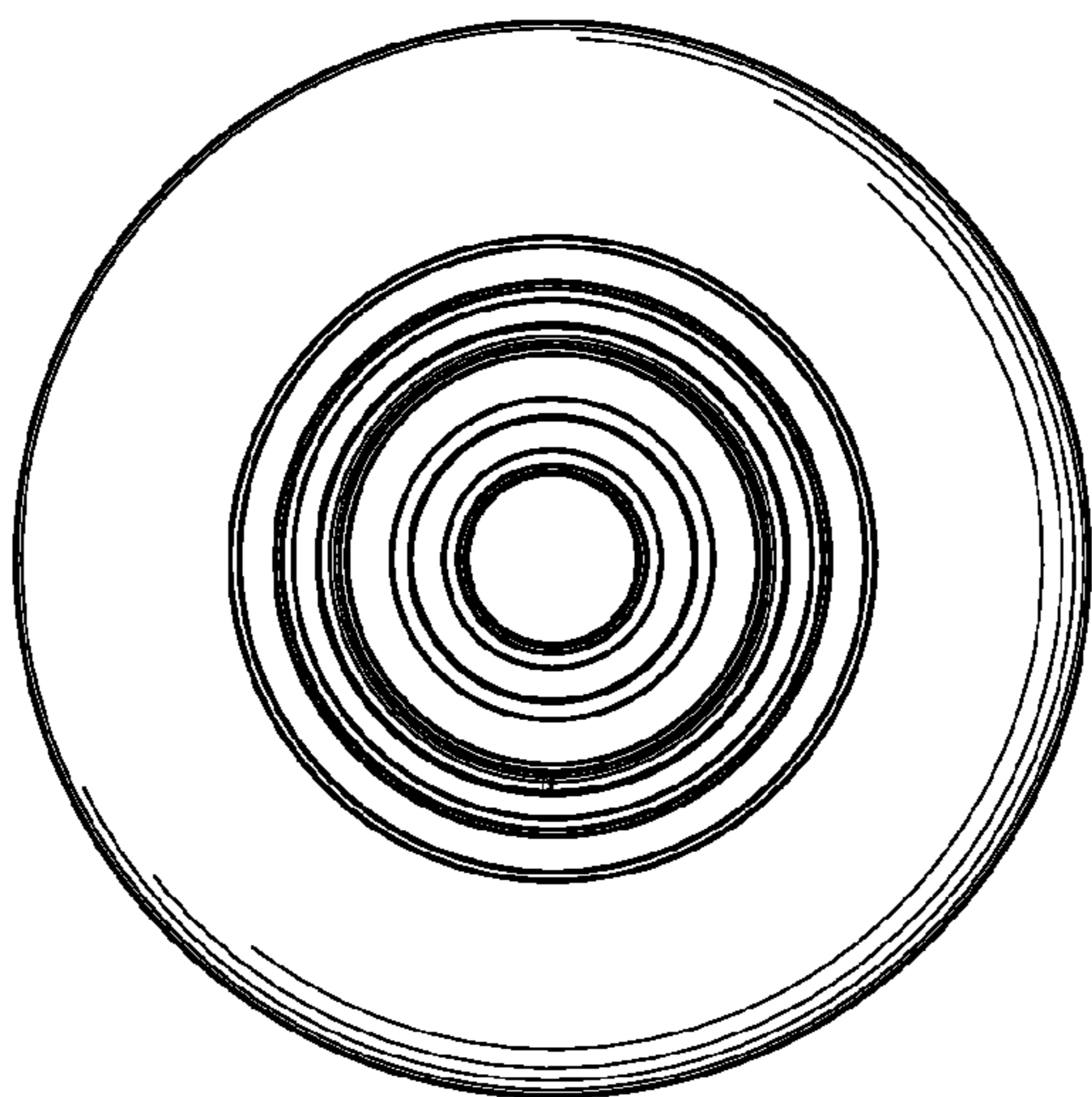


FIG. 7

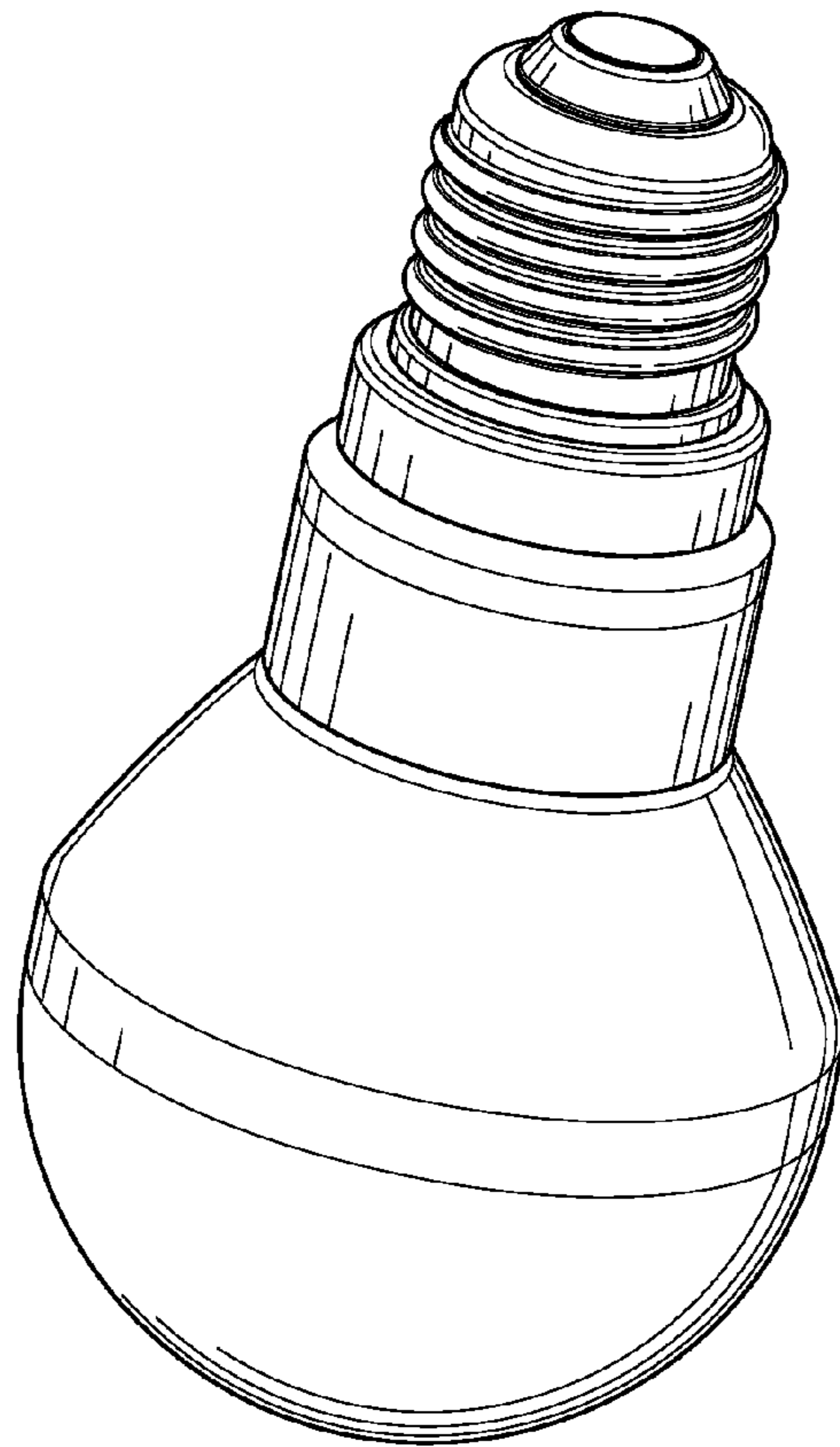


FIG. 8