

US00D662231S

(12) **United States Design Patent**
Sakamoto et al.

(10) **Patent No.:** **US D662,231 S**
(45) **Date of Patent:** **** Jun. 19, 2012**

(54) **LED LIGHT BULB**

(75) Inventors: **Mitsuhide Sakamoto**, Aichi (JP);
Toshiaki Yagi, Aichi (JP); **Junichi Ando**, Aichi (JP)

(73) Assignee: **S. K. G. Co., Ltd.**, Aichi (JP)

(**) Term: **14 Years**

(21) Appl. No.: **29/347,972**

(22) Filed: **Aug. 20, 2010**

(30) **Foreign Application Priority Data**

May 24, 2010 (JP) 2010-012636
May 24, 2010 (JP) 2010-012637
May 24, 2010 (JP) 2010-012638

(51) **LOC (9) Cl.** **26-04**

(52) **U.S. Cl.** **D26/2**

(58) **Field of Classification Search** D26/1-5,
D26/120, 138, 113; 313/313, 315, 316, 317,
313/318, 493; 315/52, 53, 56, 57, 58; 362/290,
362/294, 309; D13/180, 110

See application file for complete search history.

(56) **References Cited**

U.S. PATENT DOCUMENTS

D289,798 S * 5/1987 Joosten D26/3
4,777,405 A * 10/1988 Hermes et al. 313/634
4,792,726 A * 12/1988 Gandhi 315/52
D304,030 S * 10/1989 Vakil D13/135
D346,456 S * 4/1994 Matsumura et al. D26/3
D347,076 S * 5/1994 DeKleine et al. D26/3
D347,077 S * 5/1994 DeKleine et al. D26/3
5,309,062 A * 5/1994 Perkins et al. 315/53
5,546,291 A * 8/1996 Simes 362/223
5,575,459 A * 11/1996 Anderson 362/240
D383,224 S * 9/1997 Sangen et al. D26/3
D417,296 S * 11/1999 Kato et al. D26/3
7,014,337 B2 * 3/2006 Chen 362/240
D574,091 S * 7/2008 Sun D26/2
7,434,964 B1 * 10/2008 Zheng et al. 362/294
7,492,103 B2 * 2/2009 Hwang 315/56
7,513,653 B1 * 4/2009 Liu et al. 362/294

7,585,090 B2 * 9/2009 Wu 362/249.02
7,637,636 B2 * 12/2009 Zheng et al. 362/294
D629,537 S * 12/2010 Hsu et al. D26/3
D630,348 S * 1/2011 Duan D26/2
D631,567 S * 1/2011 Lodhie D26/2

(Continued)

Primary Examiner — Jeffrey D Asch

(74) *Attorney, Agent, or Firm* — Rabin & Berdo, P.C.

(57) **CLAIM**

The ornamental design for an LED light bulb, as shown and described.

DESCRIPTION

Embodiment 1:

FIG. 1 is a perspective view thereof;
FIG. 2 is a front view thereof;
FIG. 3 is a rear view thereof;
FIG. 4 is a plan view thereof;
FIG. 5 is a bottom plan view thereof;
FIG. 6 is a right side view thereof; and
FIG. 7 is a left side view thereof.

Embodiment 2:

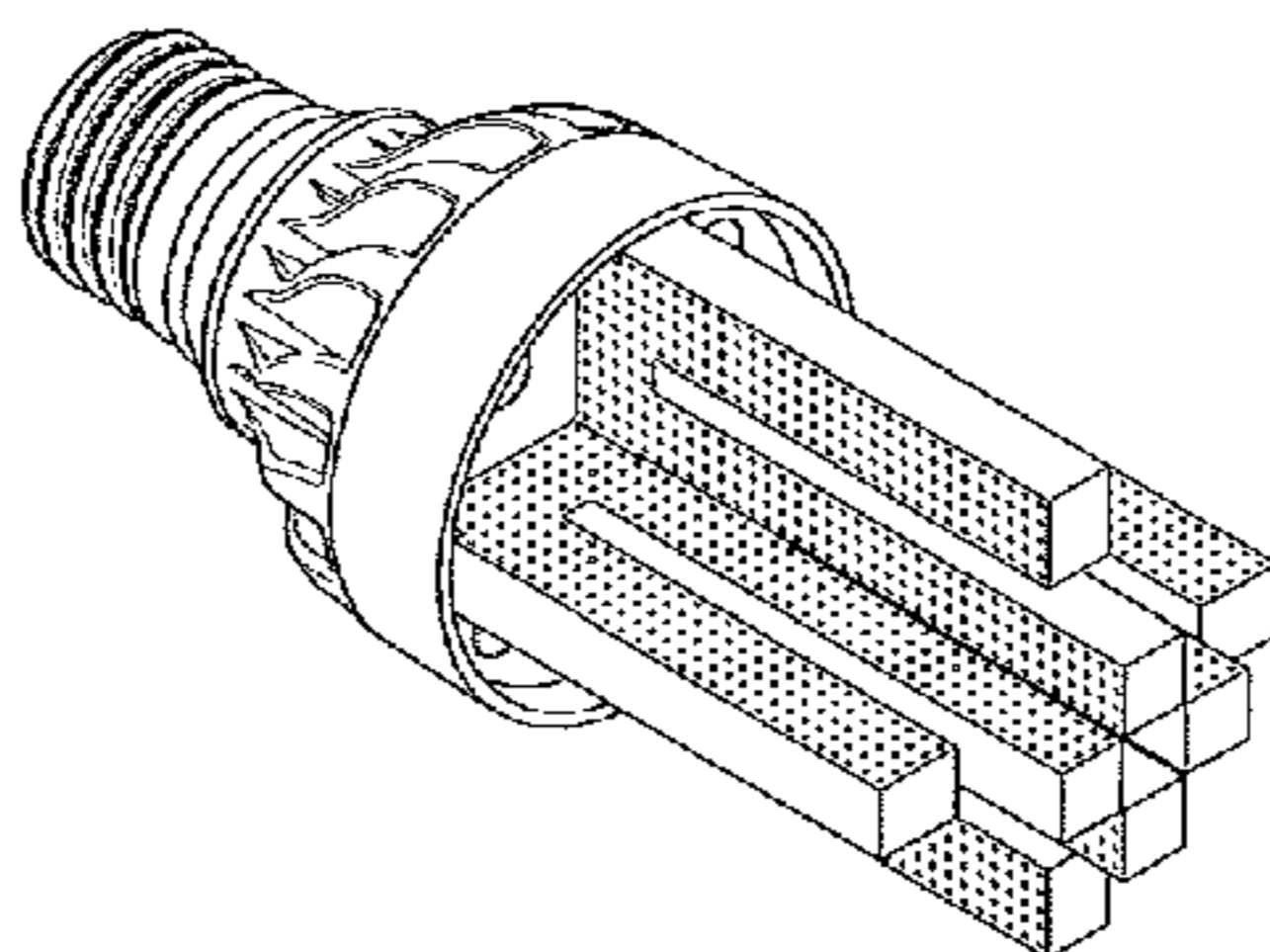
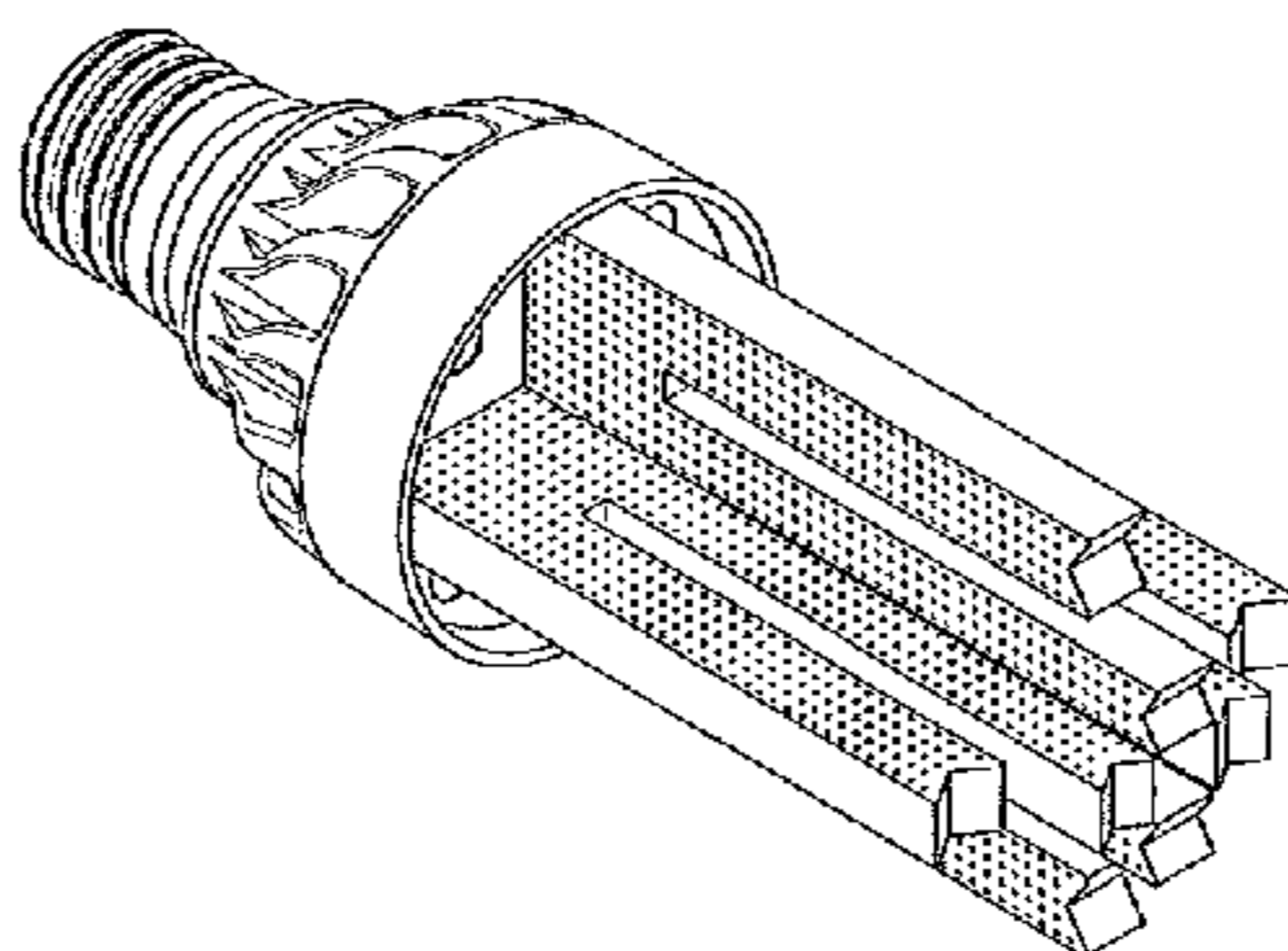
FIG. 8 is a perspective view thereof
FIG. 9 is a front view thereof;
FIG. 10 is a rear view thereof;
FIG. 11 is a plan view thereof;
FIG. 12 is a bottom plan view thereof;
FIG. 13 is a right side view thereof
FIG. 14 is a left side view thereof.

Embodiment 3:

FIG. 15 is a perspective view thereof
FIG. 16 is a front view thereof;
FIG. 17 is a rear view thereof;
FIG. 18 is a plan view thereof;
FIG. 19 is a bottom plan view thereof;
FIG. 20 is a right side view thereof; and,
FIG. 21 is a left side view thereof.

The design of the LED light bulb relates to a light emitting diode (LED) light bulb including an LED serving as a light source. A light emitted from the LED is diffused by embossed marks of the light guide plate to emit an illumination light.

1 Claim, 9 Drawing Sheets



US D662,231 S

Page 2

U.S. PATENT DOCUMENTS			
D641,895	S *	7/2011	Huang D26/3
8,072,123	B1 *	12/2011	Han 313/45
8,092,045	B2 *	1/2012	Xiao et al. 362/249.02
2004/0114367	A1 *	6/2004	Li 362/248
2007/0159828	A1 *	7/2007	Wang 362/294
2008/0013318	A1 *	1/2008	Sun et al. 362/294
2008/0316755	A1 *	12/2008	Zheng et al. 362/373
2011/0156584	A1 *	6/2011	Kim 315/32

* cited by examiner

FIG. 1

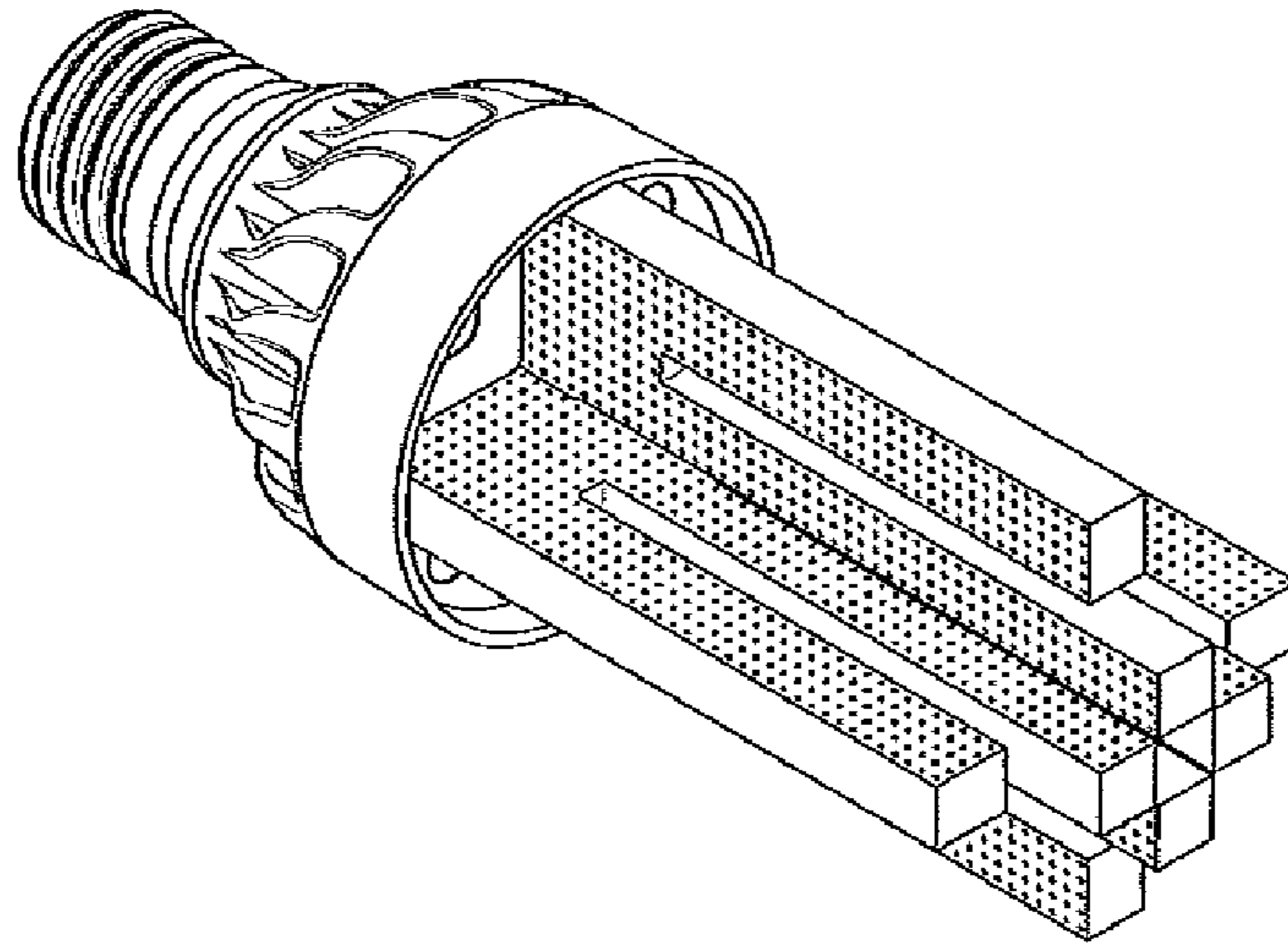


FIG. 2

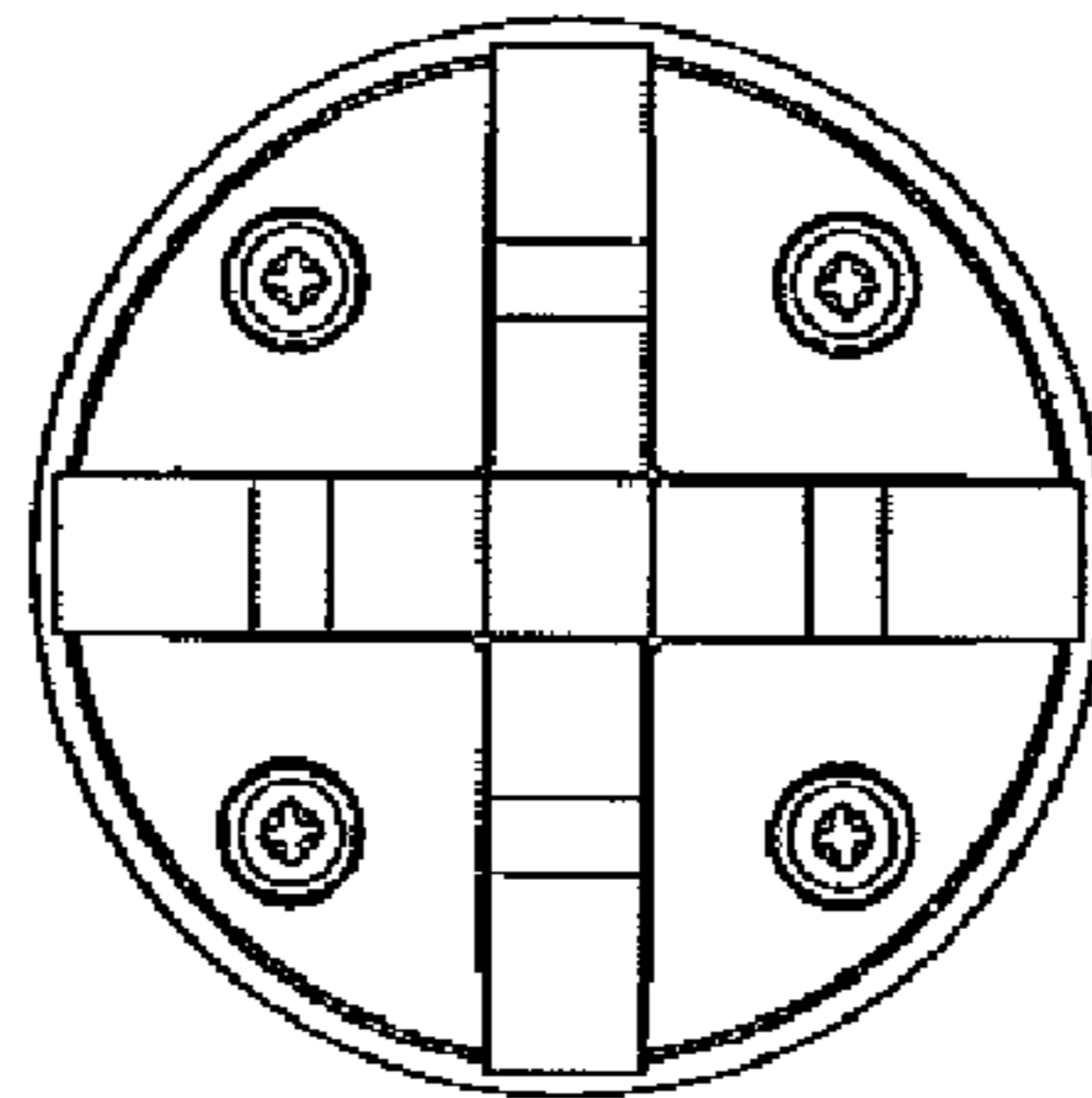


FIG. 3

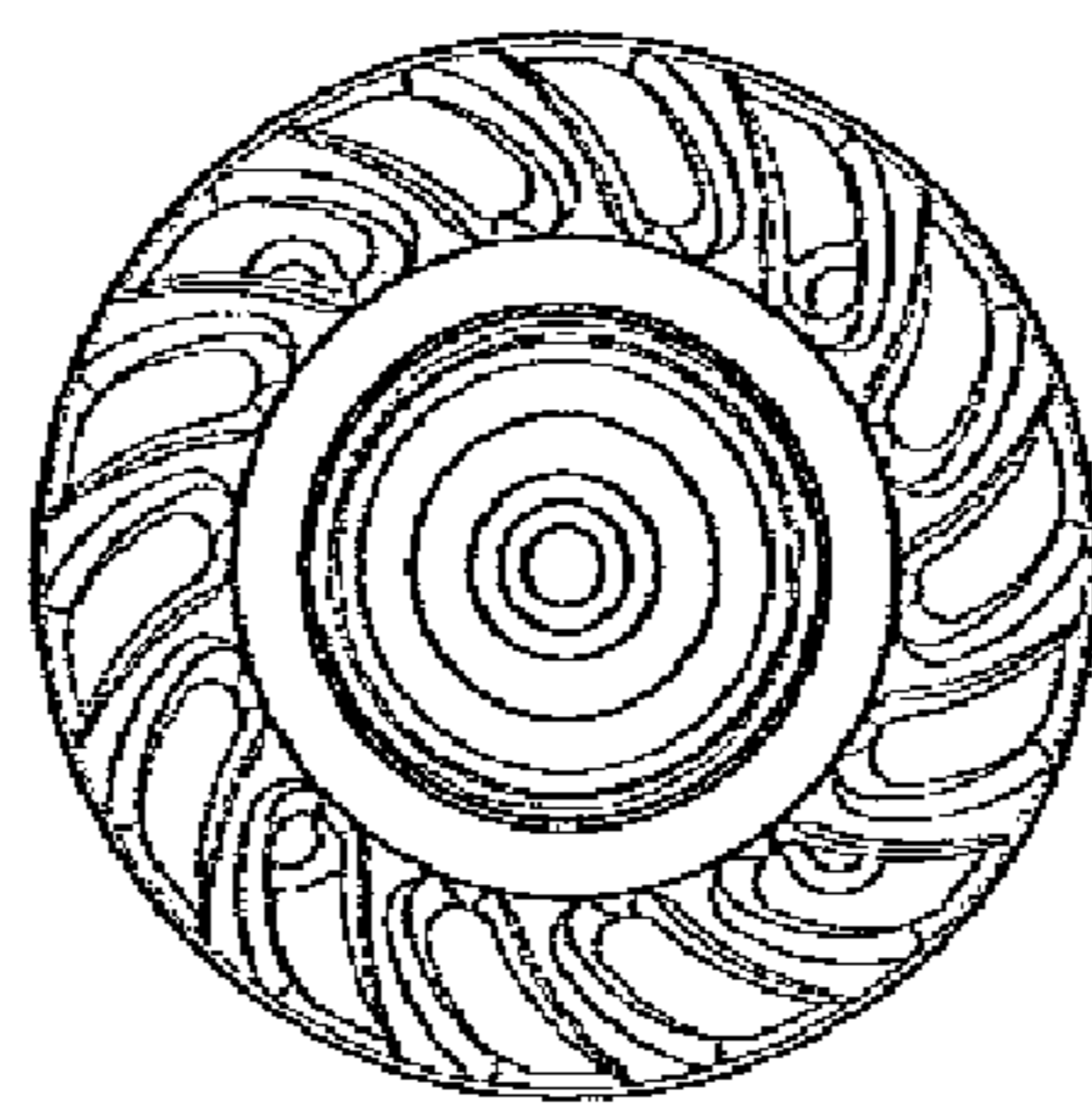


FIG. 4

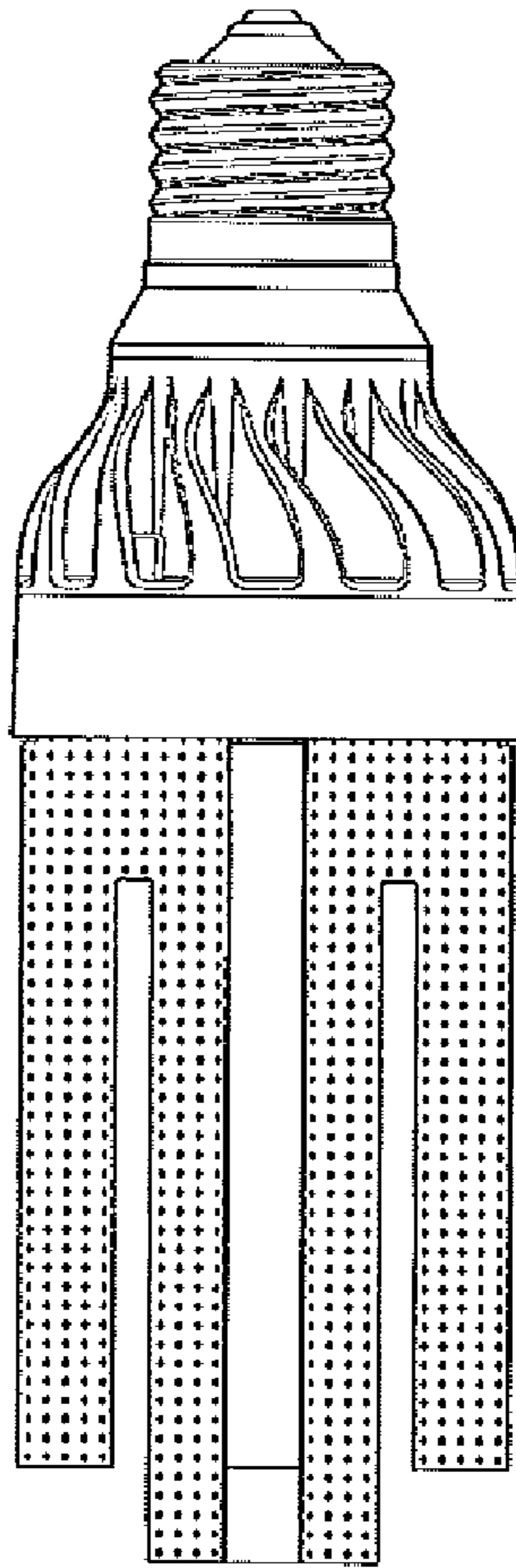


FIG. 5

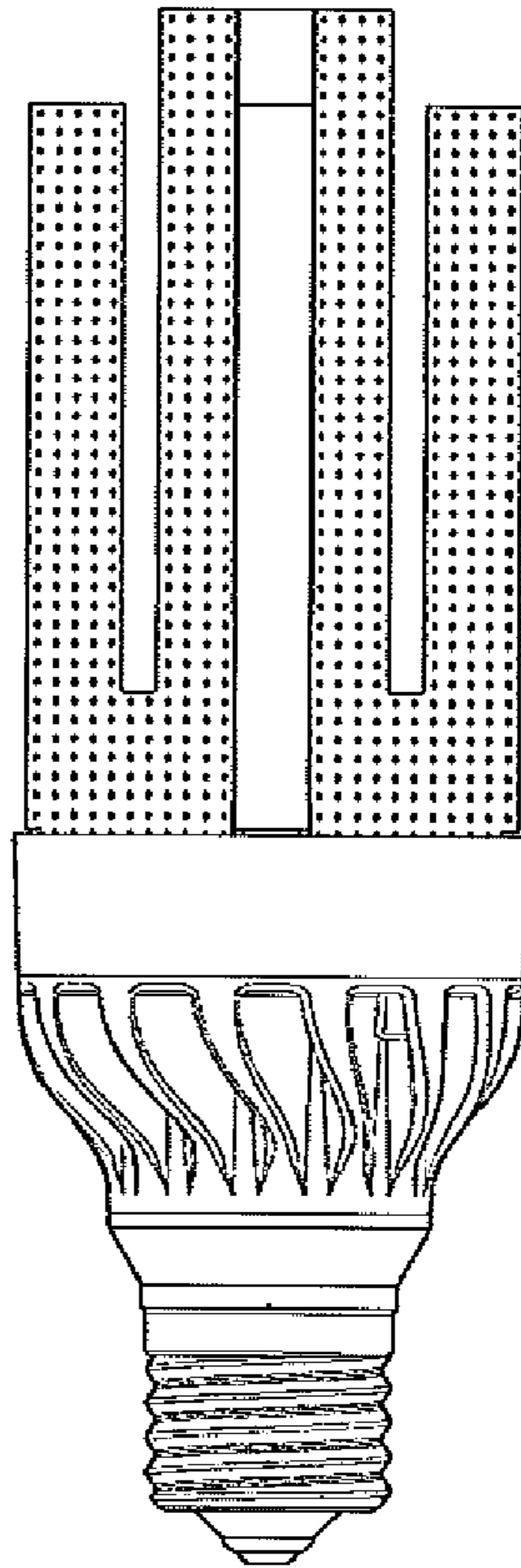


FIG. 6

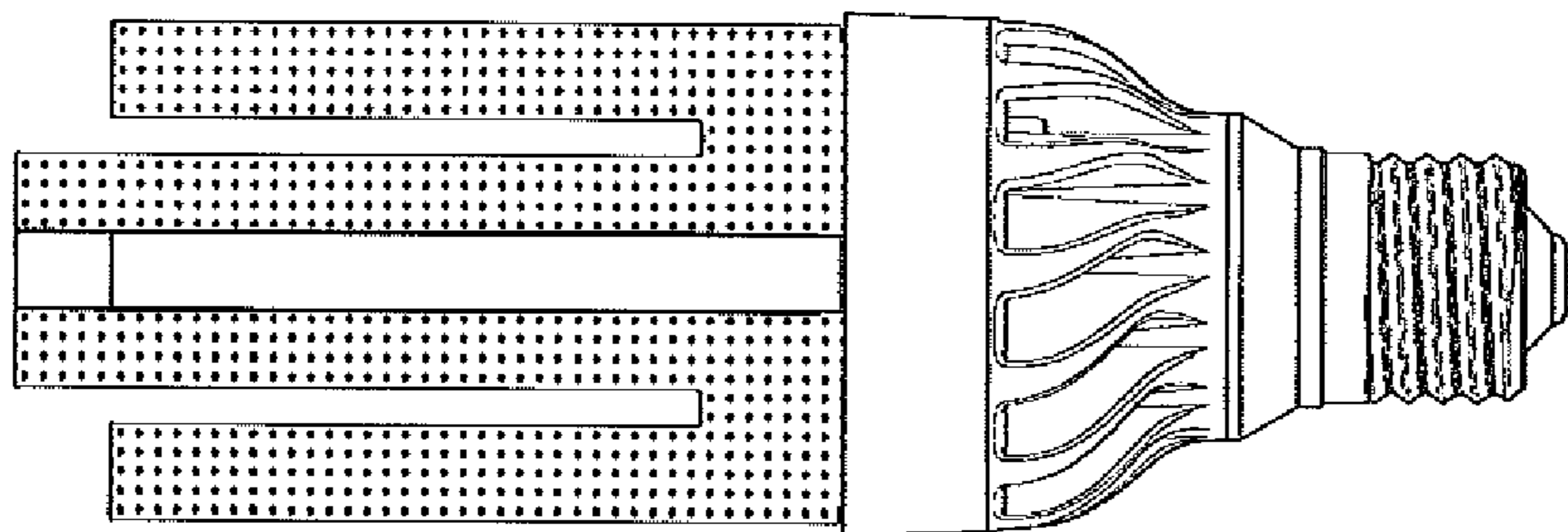


FIG. 7

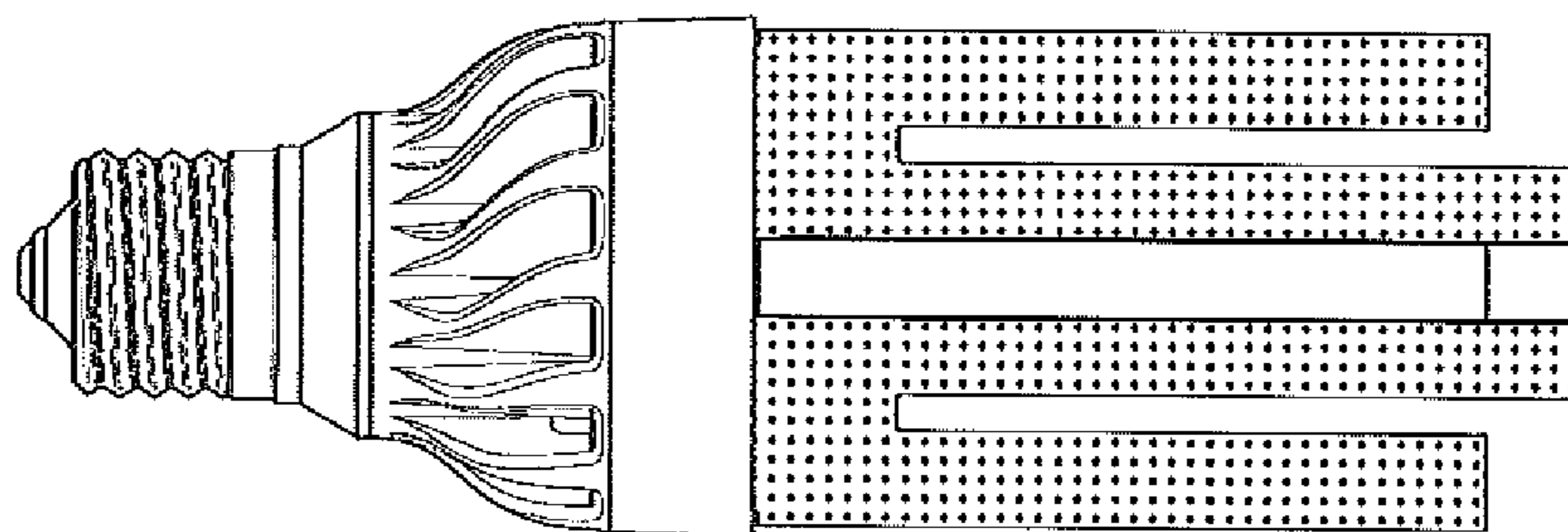


FIG. 8

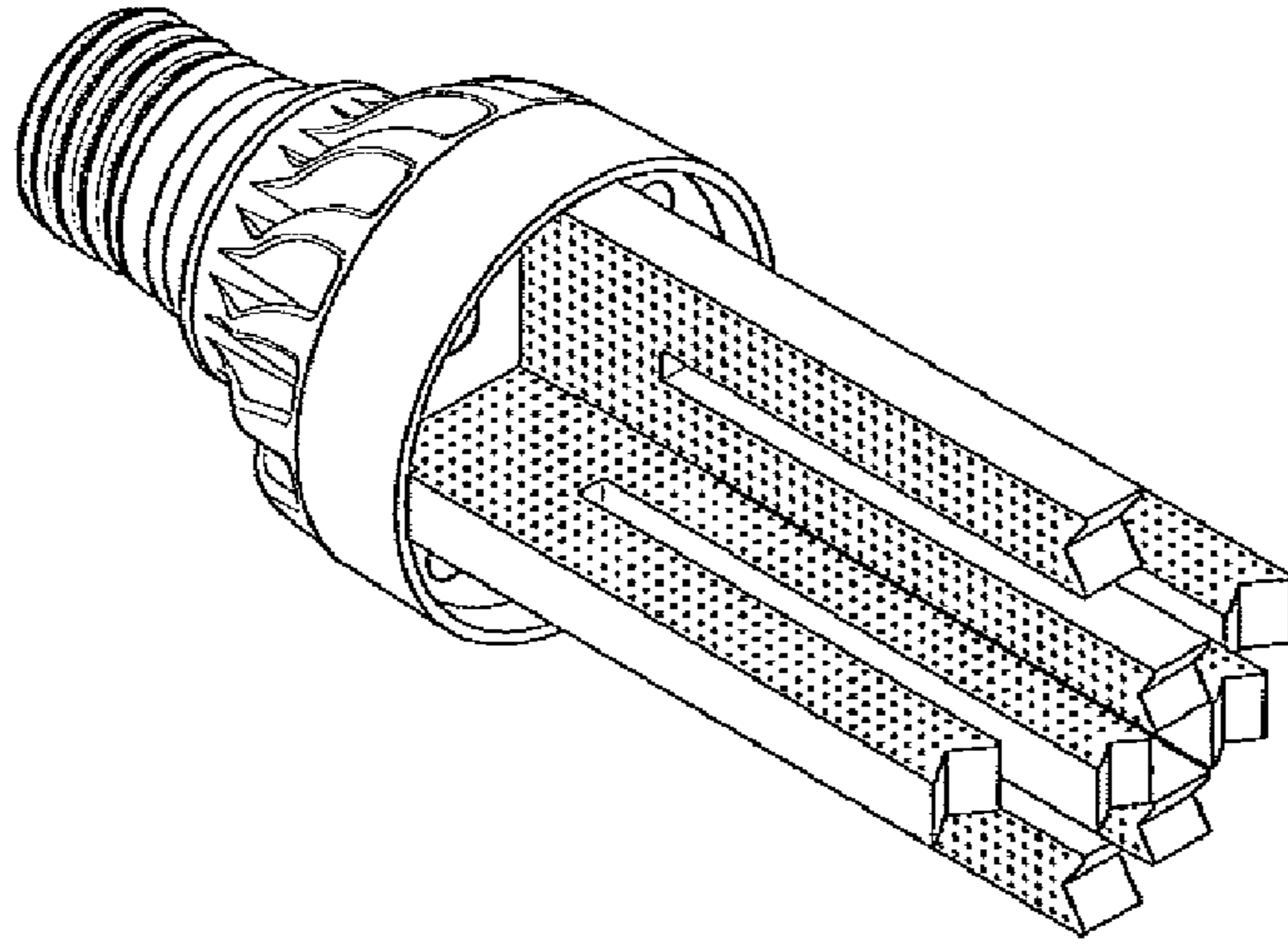


FIG. 9

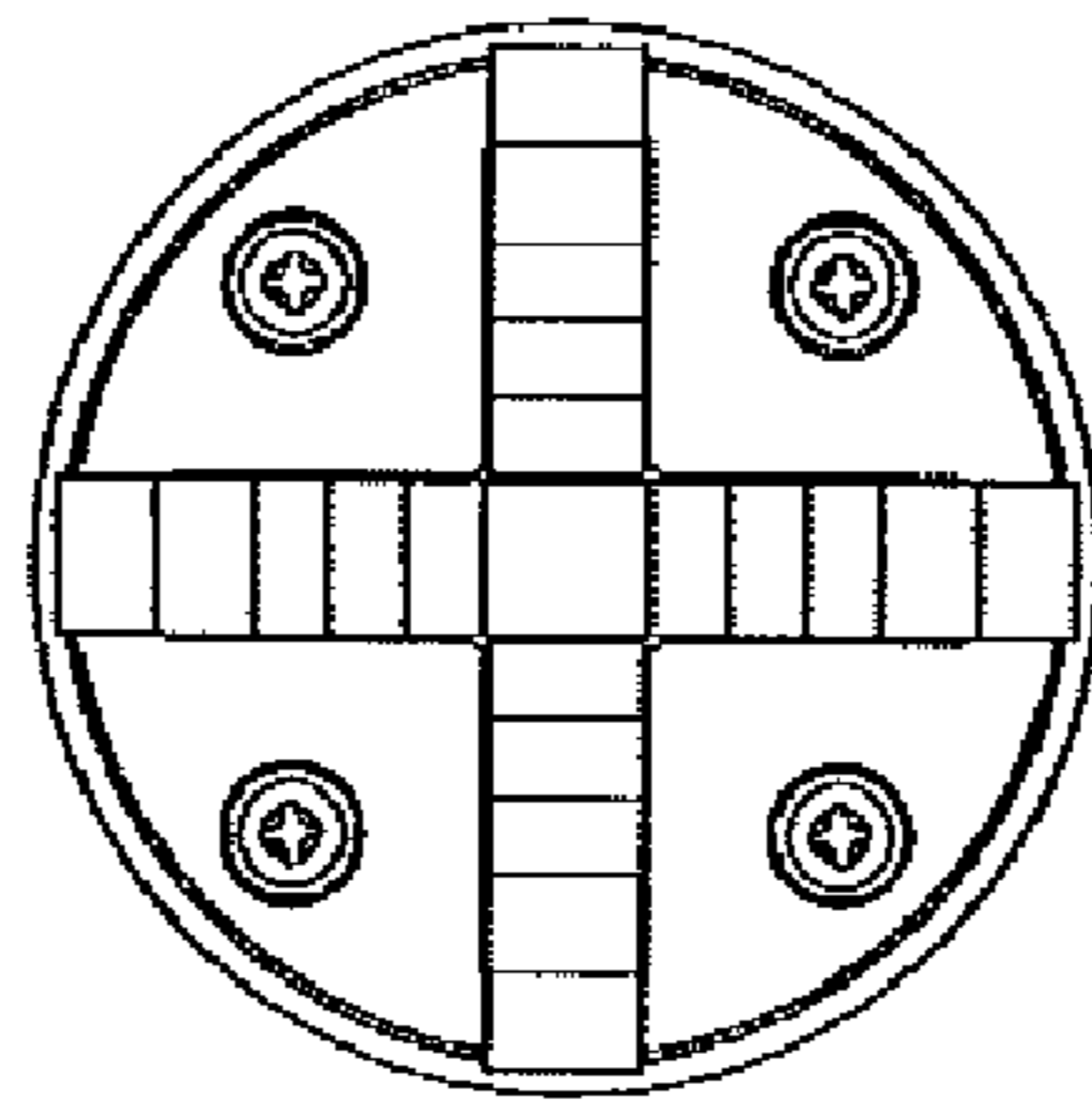


FIG. 10



FIG. 11

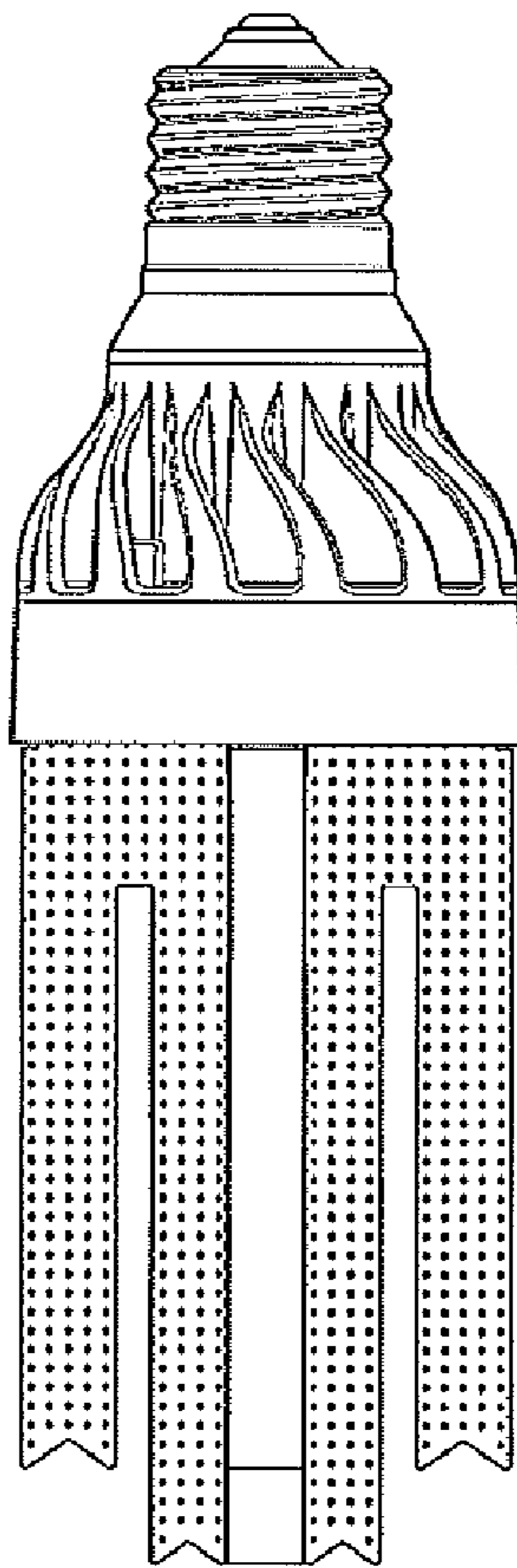


FIG. 12

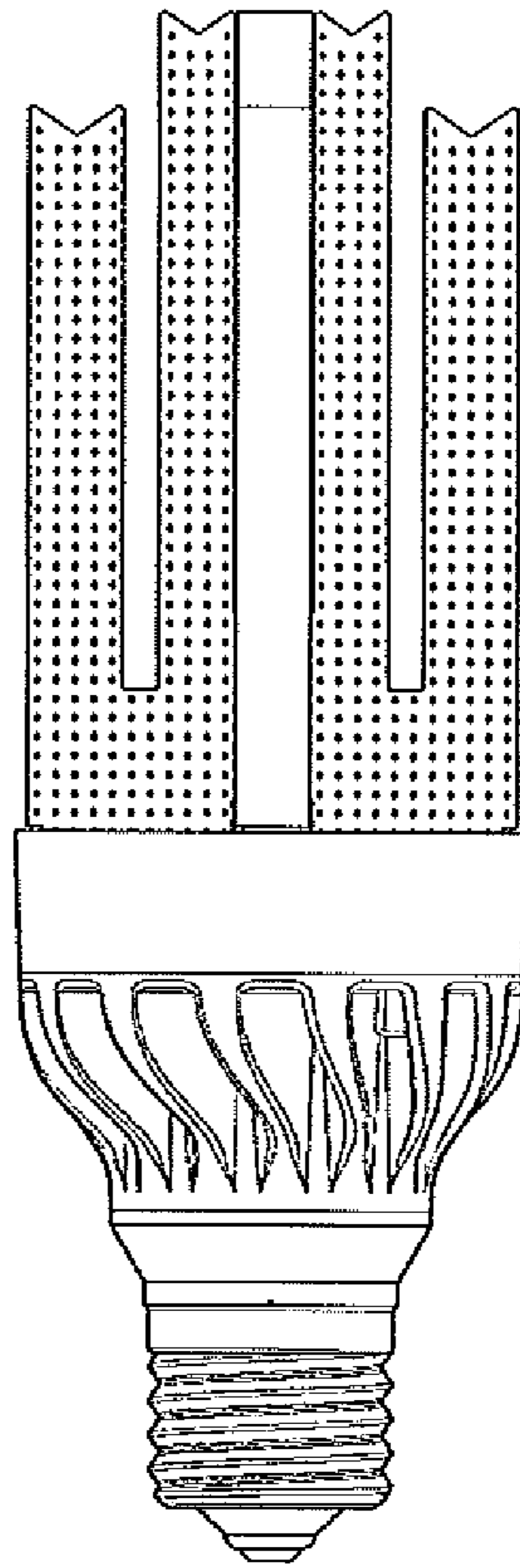


FIG. 13

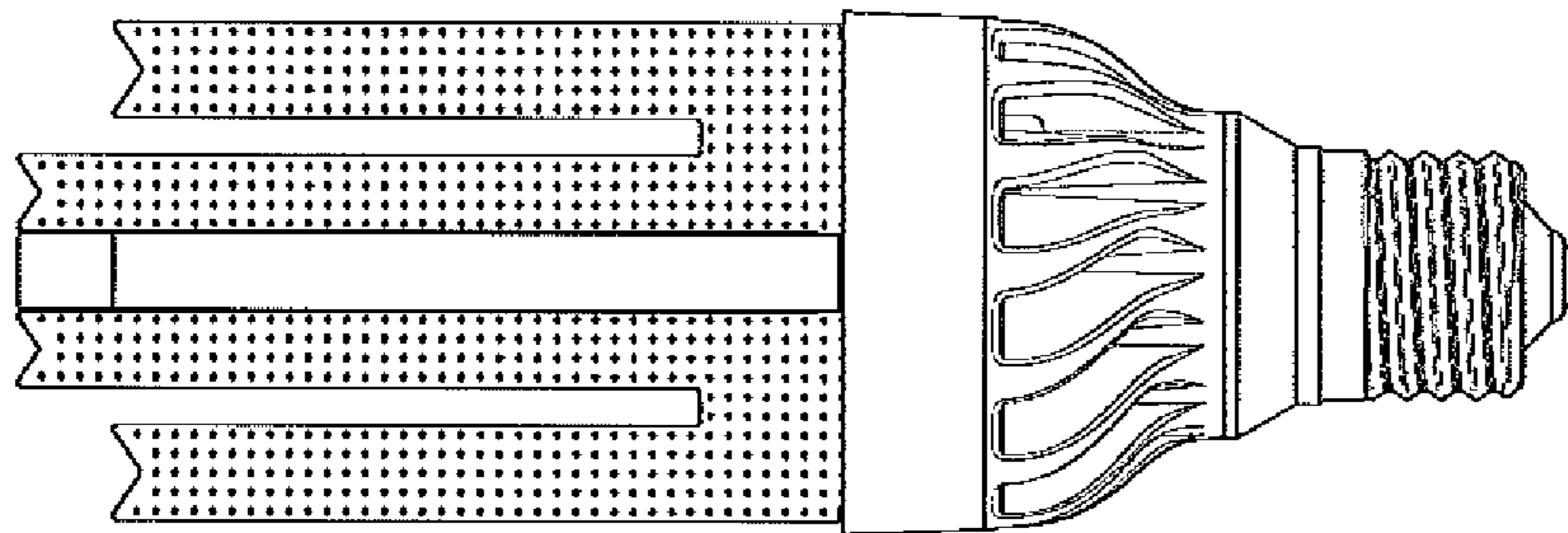


FIG. 14

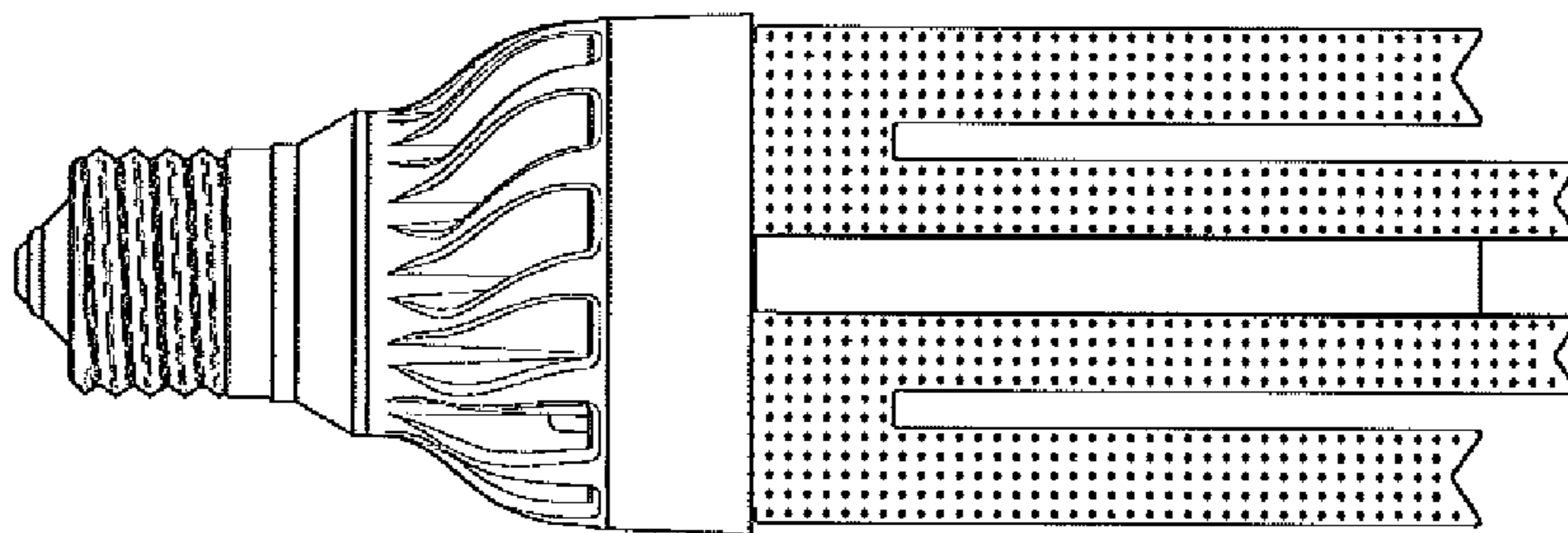


FIG. 15

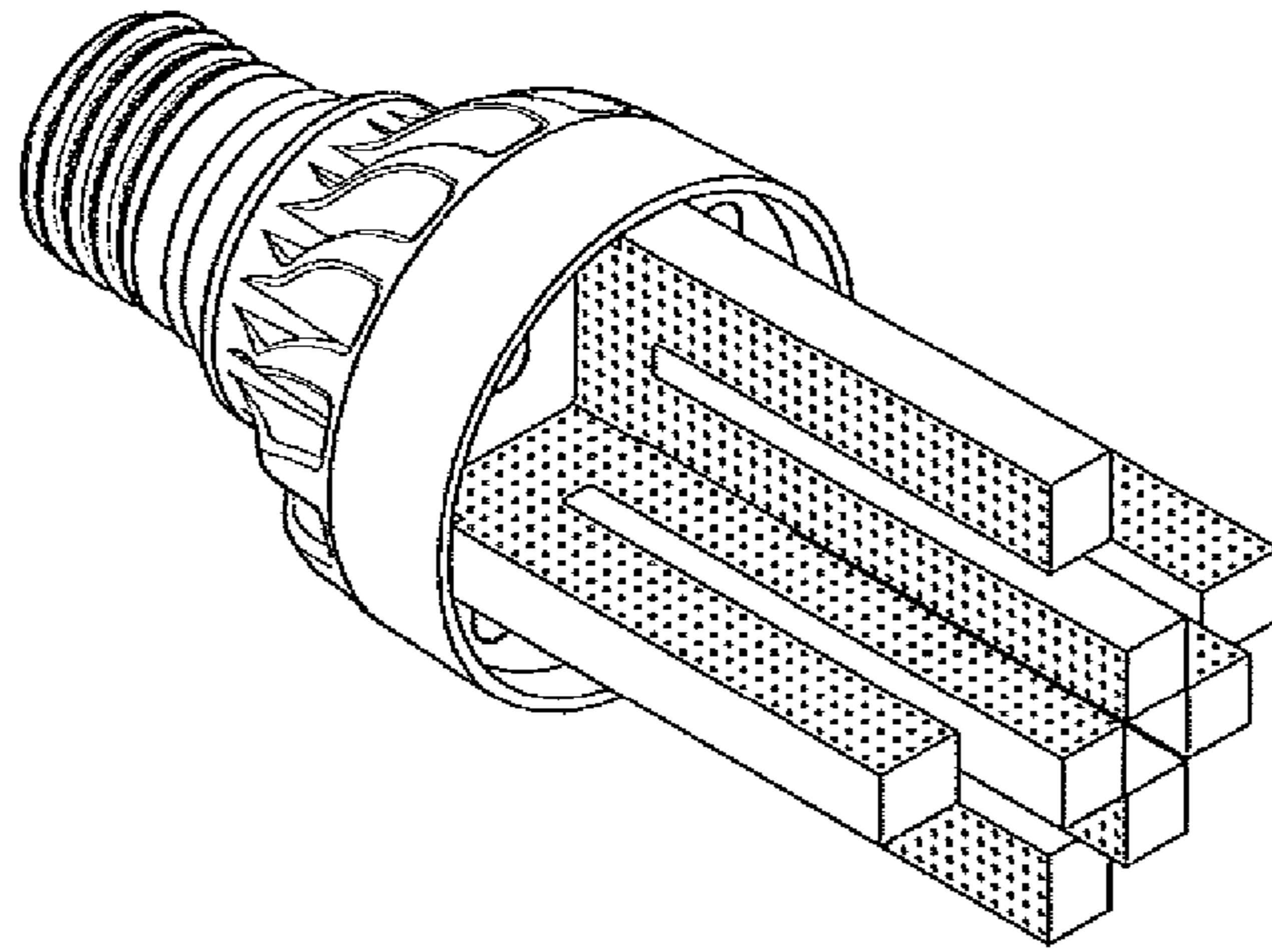


FIG. 16

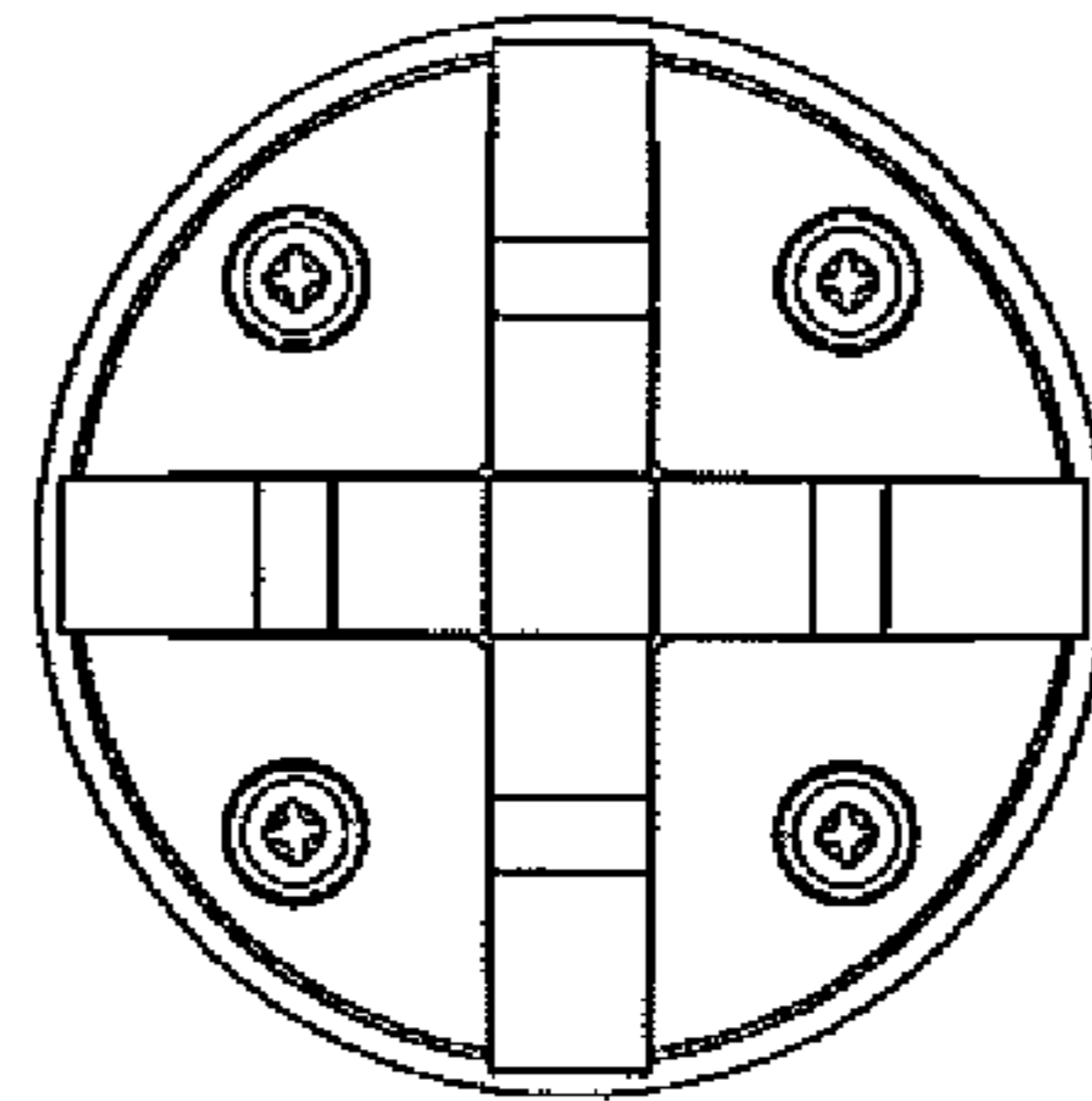


FIG. 17



FIG. 18

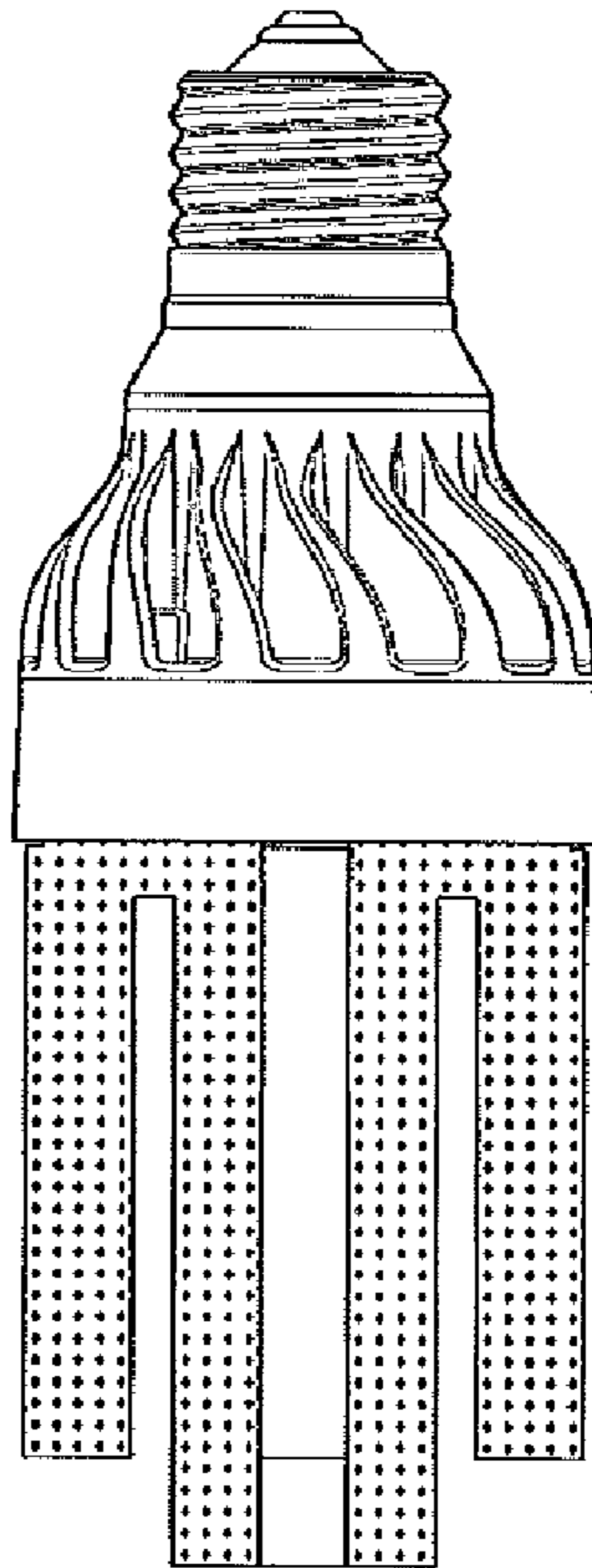


FIG. 19

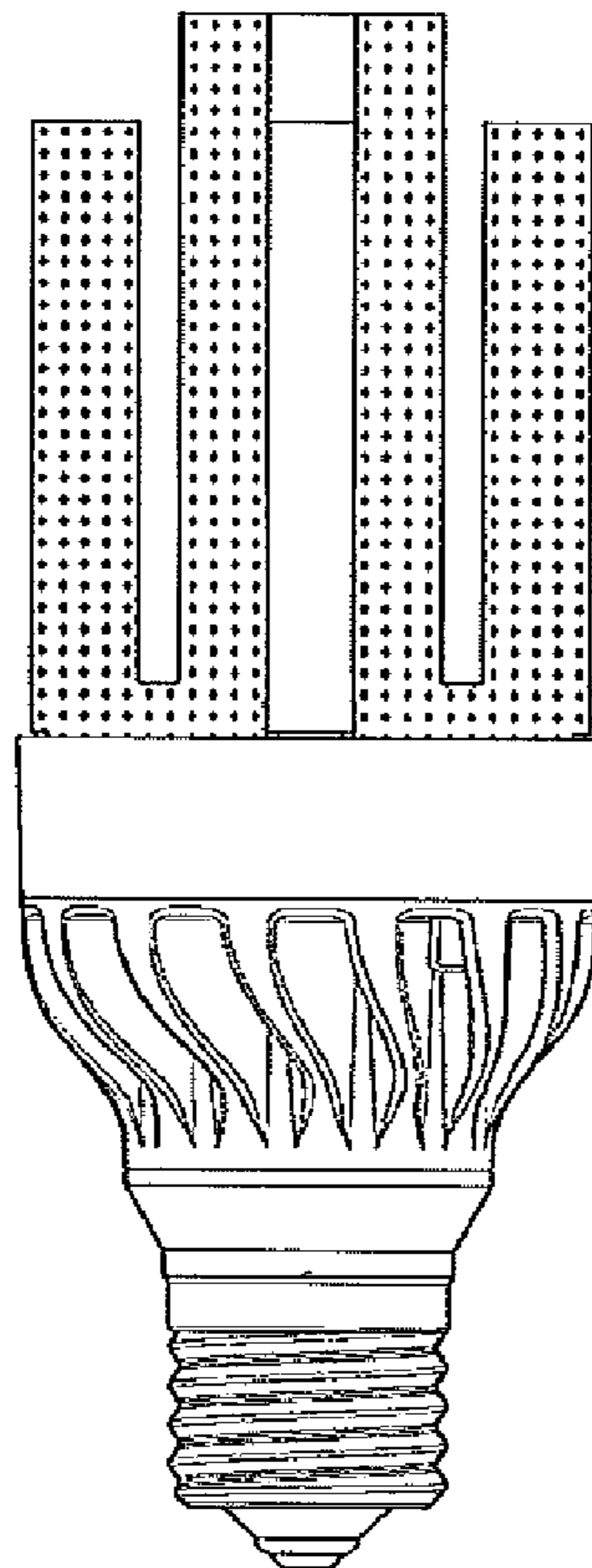


FIG. 20

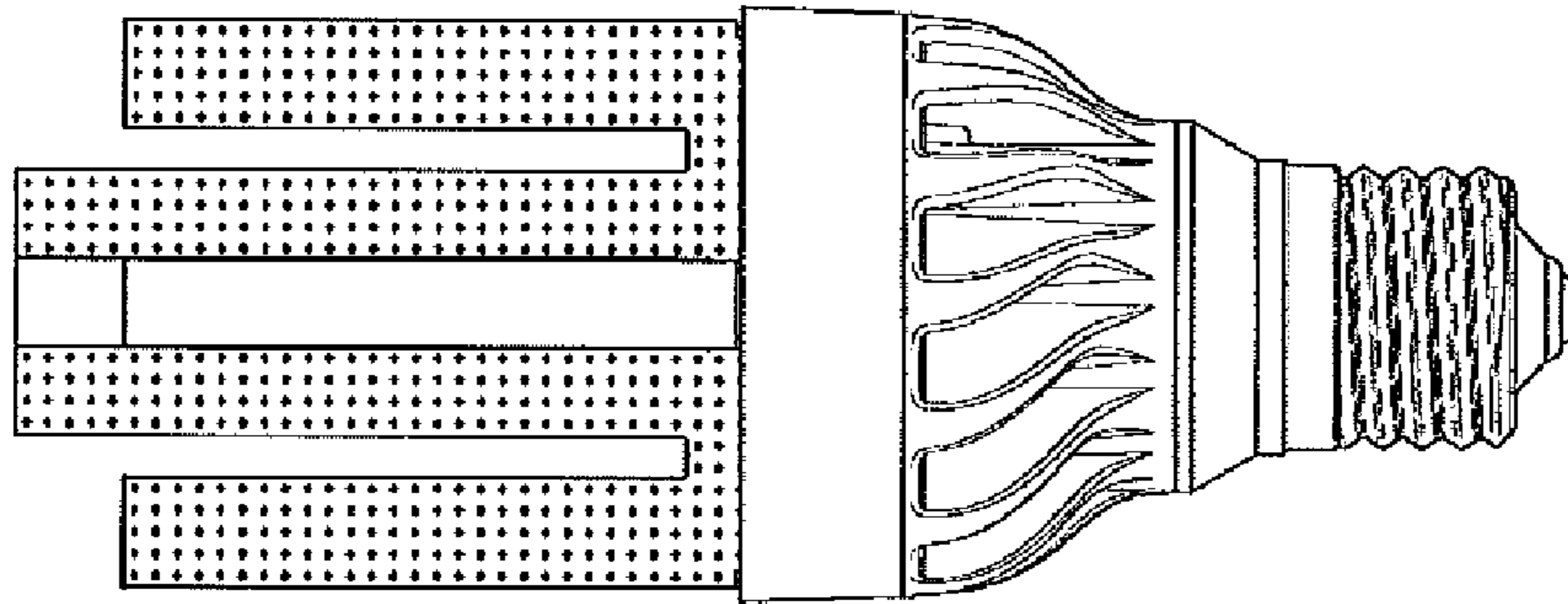


FIG. 21

