



US00D662230S

(12) **United States Design Patent**
Cline

(10) **Patent No.:** **US D662,230 S**
(45) **Date of Patent:** **** Jun. 19, 2012**

(54) **THROUGH ROOF FITTING**

(76) Inventor: **Roger M. Cline**, Bluemont, VA (US)

(**) Term: **14 Years**

(21) Appl. No.: **29/389,252**

(22) Filed: **Apr. 8, 2011**

(51) **LOC (9) Cl.** **25-01**

(52) **U.S. Cl.** **D25/199**

(58) **Field of Classification Search** D25/199;
52/58, 61, 62, 302.6, 219, 198, 199, 200
See application file for complete search history.

(56) **References Cited**

U.S. PATENT DOCUMENTS

4,664,390	A *	5/1987	Houseman	277/606
5,317,845	A *	6/1994	Bodycomb	52/219
D370,274	S *	5/1996	Menzies	D25/199
6,601,351	B1 *	8/2003	Zerfoss	52/198

* cited by examiner

Primary Examiner — Doris Clark

(74) *Attorney, Agent, or Firm* — James Creighton Wray

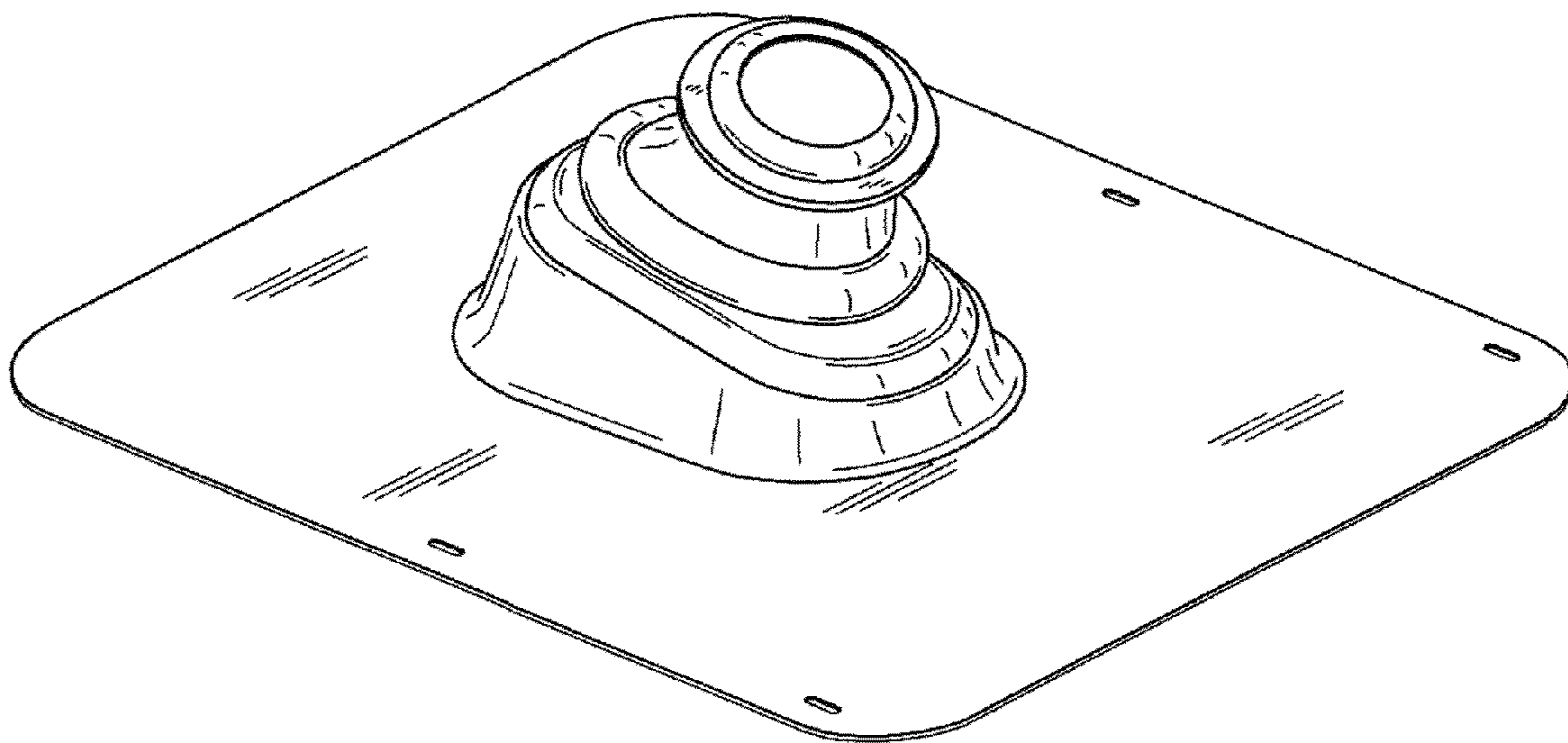
(57) **CLAIM**

I claim the ornamental design for a through roof fitting, as shown and described.

DESCRIPTION

FIG. 1 is a perspective view of the through roof fitting.
 FIG. 2 is a first side view of the through roof fitting. The opposite side view is substantially a mirror image of the first side view.
 FIG. 3 is a second opposite side view of the through roof fitting.
 FIG. 4 is a perspective view taken from the lower end and the top of the through roof fitting.
 FIG. 5 is a bottom perspective view taken from the bottom and from the upper end of the through roof fitting.
 FIG. 6 is a top view of the through roof fitting; and,
 FIG. 7 is a bottom view of the through roof fitting.

1 Claim, 6 Drawing Sheets



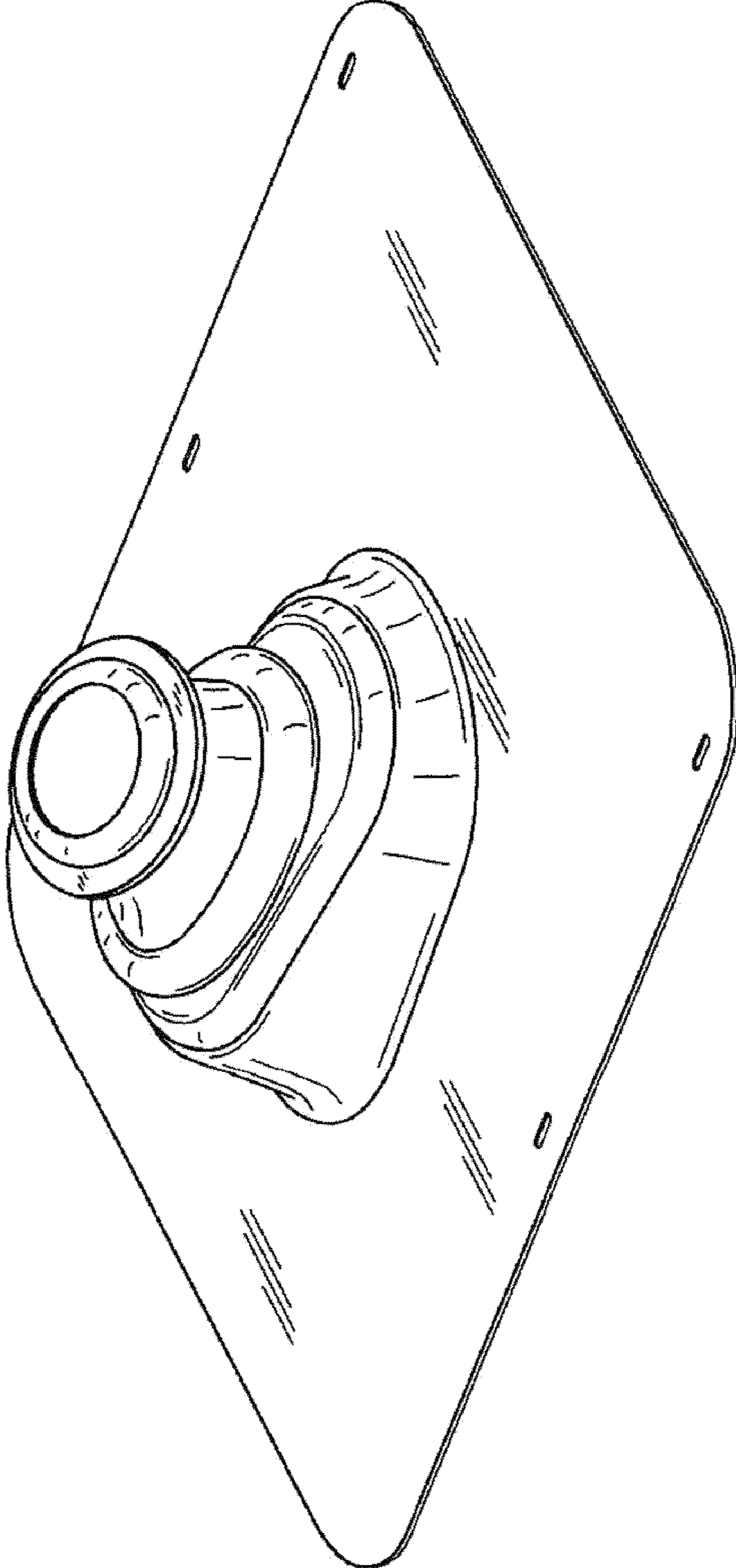


FIG. 1

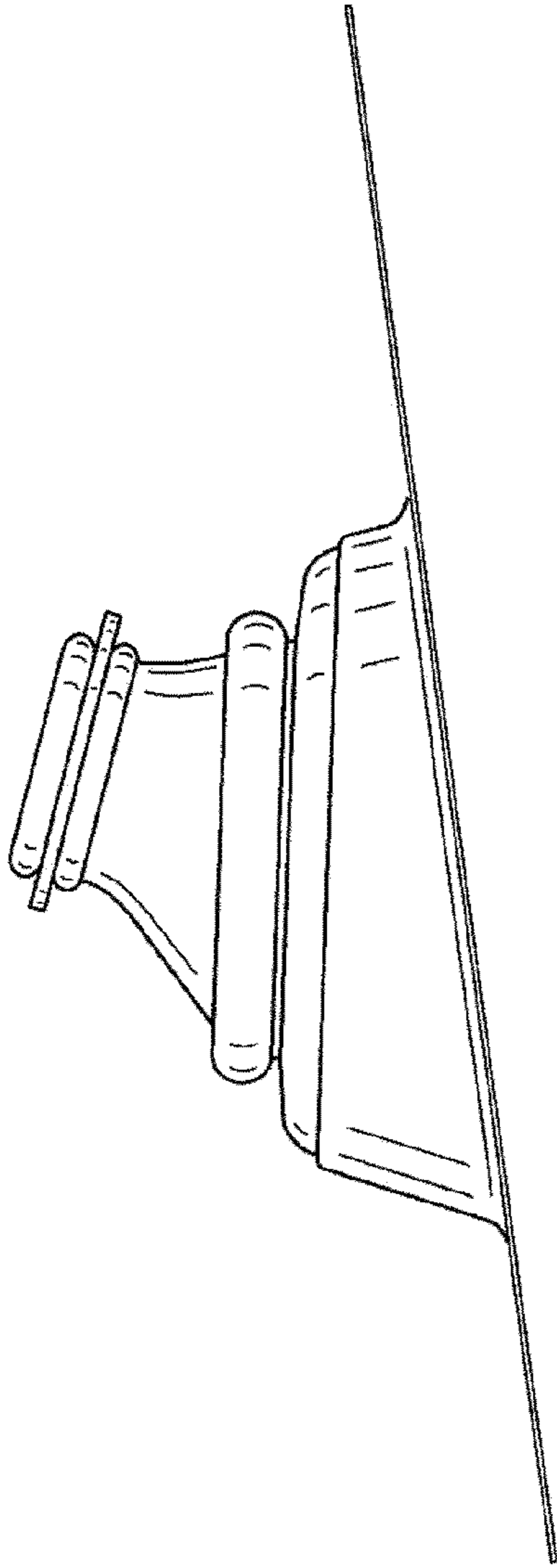


FIG. 2

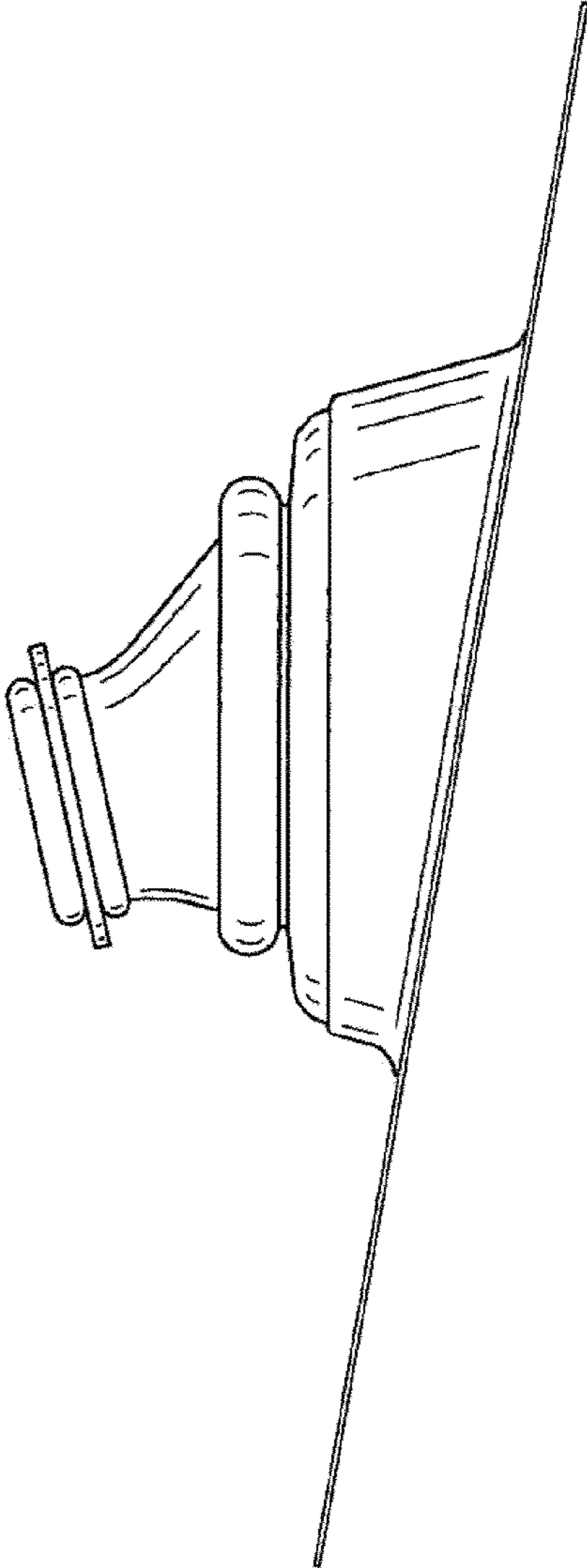


FIG. 3

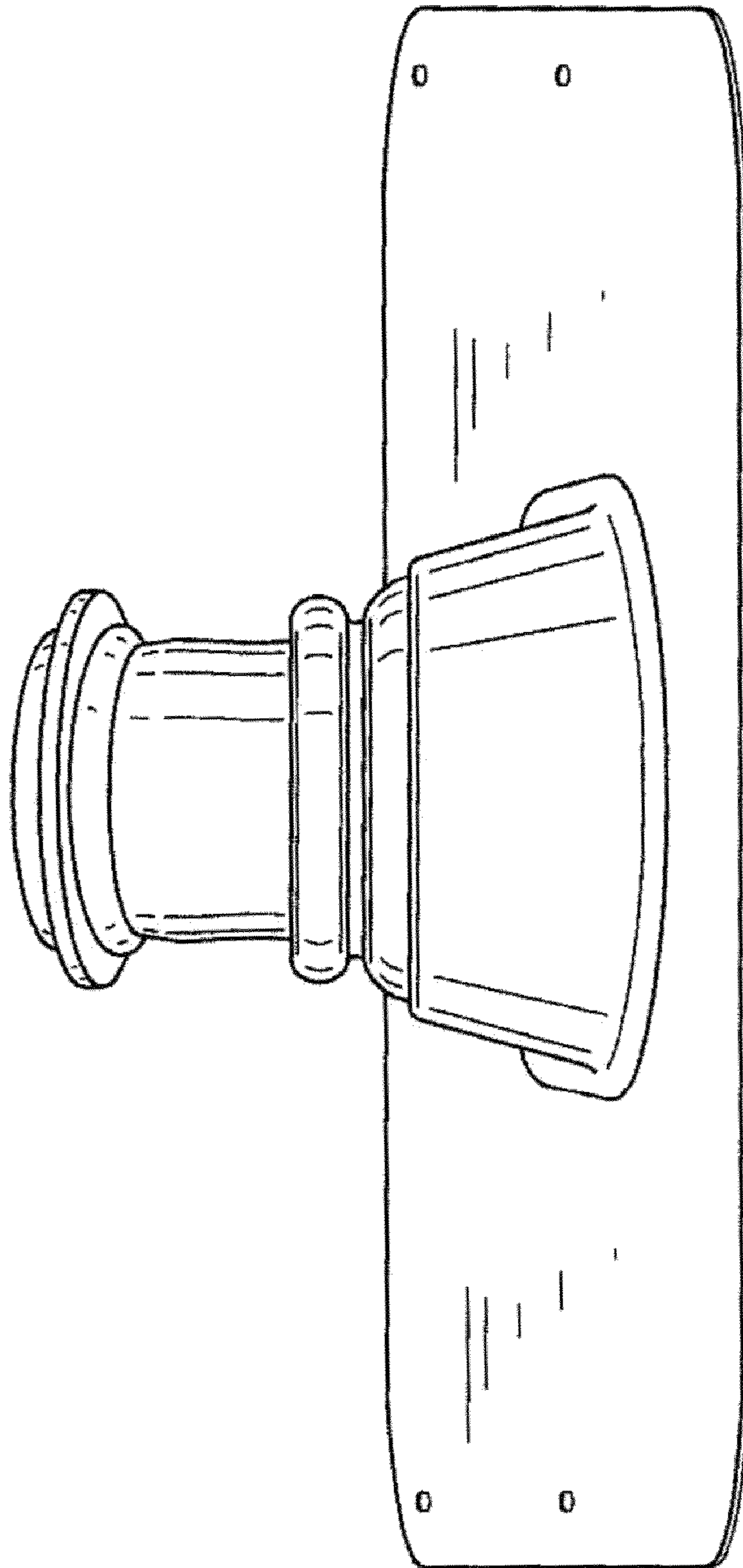


FIG. 4

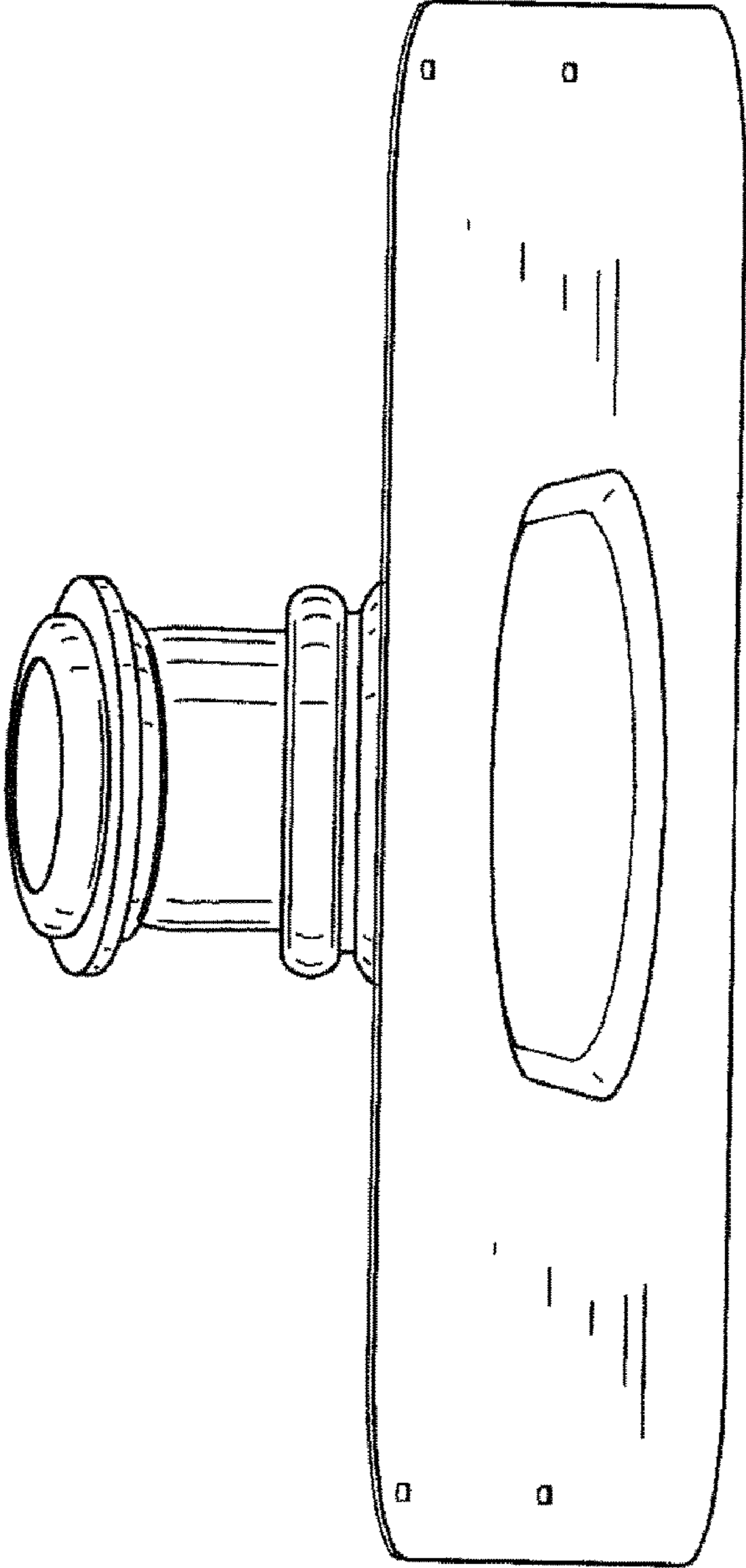


FIG. 5

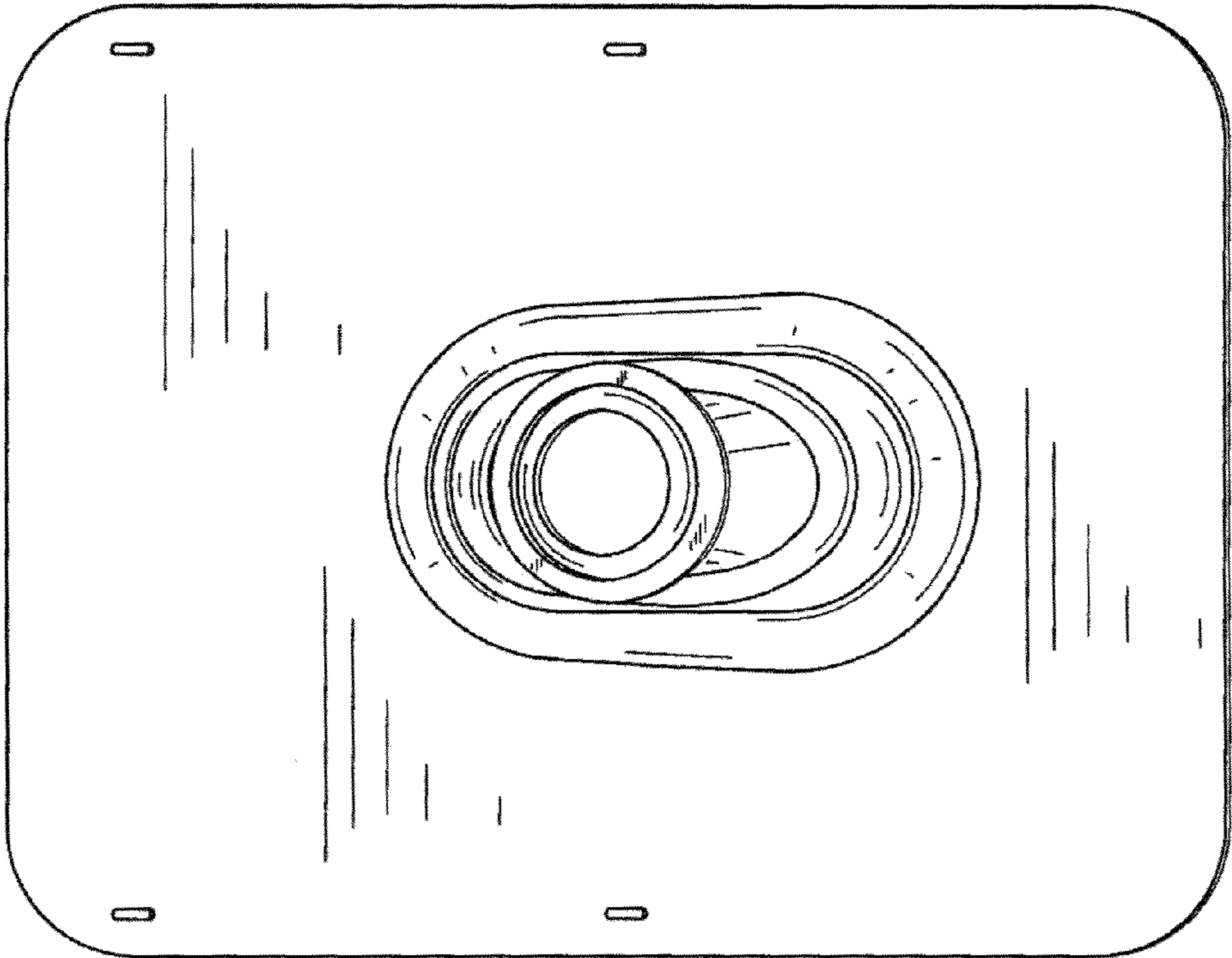


FIG. 6

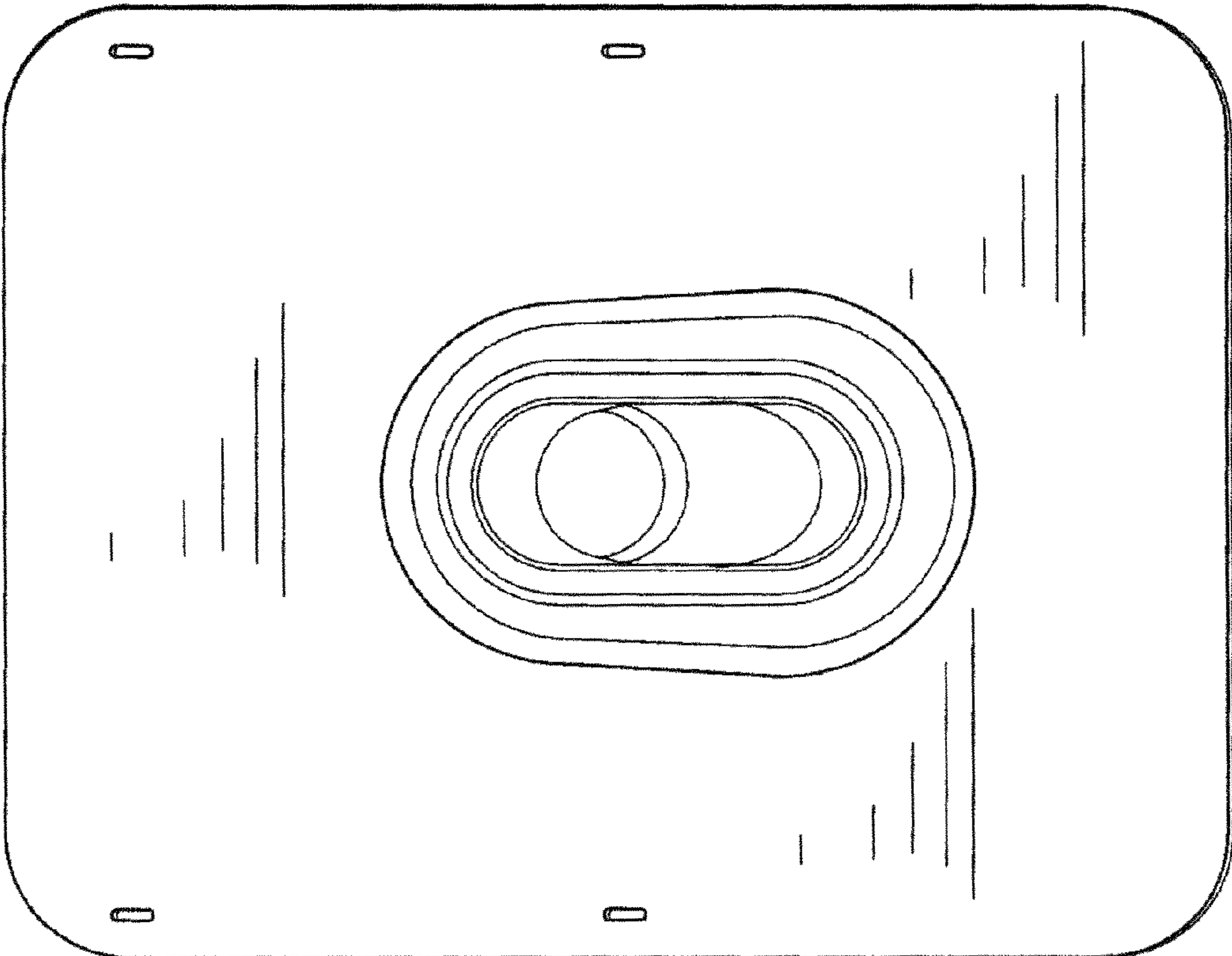


FIG. 7