

US00D662229S

(12) **United States Design Patent**
Williams

(10) **Patent No.:** **US D662,229 S**
(45) **Date of Patent:** **** Jun. 19, 2012**

- (54) **MATING HORIZONTAL T-STEM CONNECTOR ASSEMBLY**
- (76) Inventor: **Joe D. Williams**, Tuscaloosa, AL (US)
- (**) Term: **14 Years**
- (21) Appl. No.: **29/391,901**
- (22) Filed: **May 13, 2011**
- (51) **LOC (9) Cl.** **25-02**
- (52) **U.S. Cl.** **D25/126**
- (58) **Field of Classification Search** D25/60,
D25/119-126, 47-48, 199; 52/392, 384,
52/458, 204.53, 242, 255, 290, 716.1, 717.01,
52/84, 608, 259, 848, 592.6, DIG. 6; D8/349;
248/49, 62, 74.1-74.4, 737.2, 215, 227.1,
248/300-301, 316.7, 51, 489; 119/87, 529,
119/530; 14/6, 73; D26/138
See application file for complete search history.

(56) **References Cited**

U.S. PATENT DOCUMENTS

- 4,205,500 A * 6/1980 Hensley et al. D25/113
- 4,314,431 A * 2/1982 Rabassa D25/113
- 4,320,612 A * 3/1982 Jeffries, Jr. D25/113

- 4,321,779 A * 3/1982 Kratchmer D25/113
- 4,562,680 A 1/1986 Sukolics
- 4,650,702 A 3/1987 Whitmyer
- 5,490,358 A 2/1996 Grunewald et al.
- D636,095 S 4/2011 Teffenhart, Jr.

* cited by examiner

Primary Examiner — Robert Delehanty

(74) *Attorney, Agent, or Firm* — Gerald M. Walsh; Kenneth M. Bush; Bush Intellectual Property Law

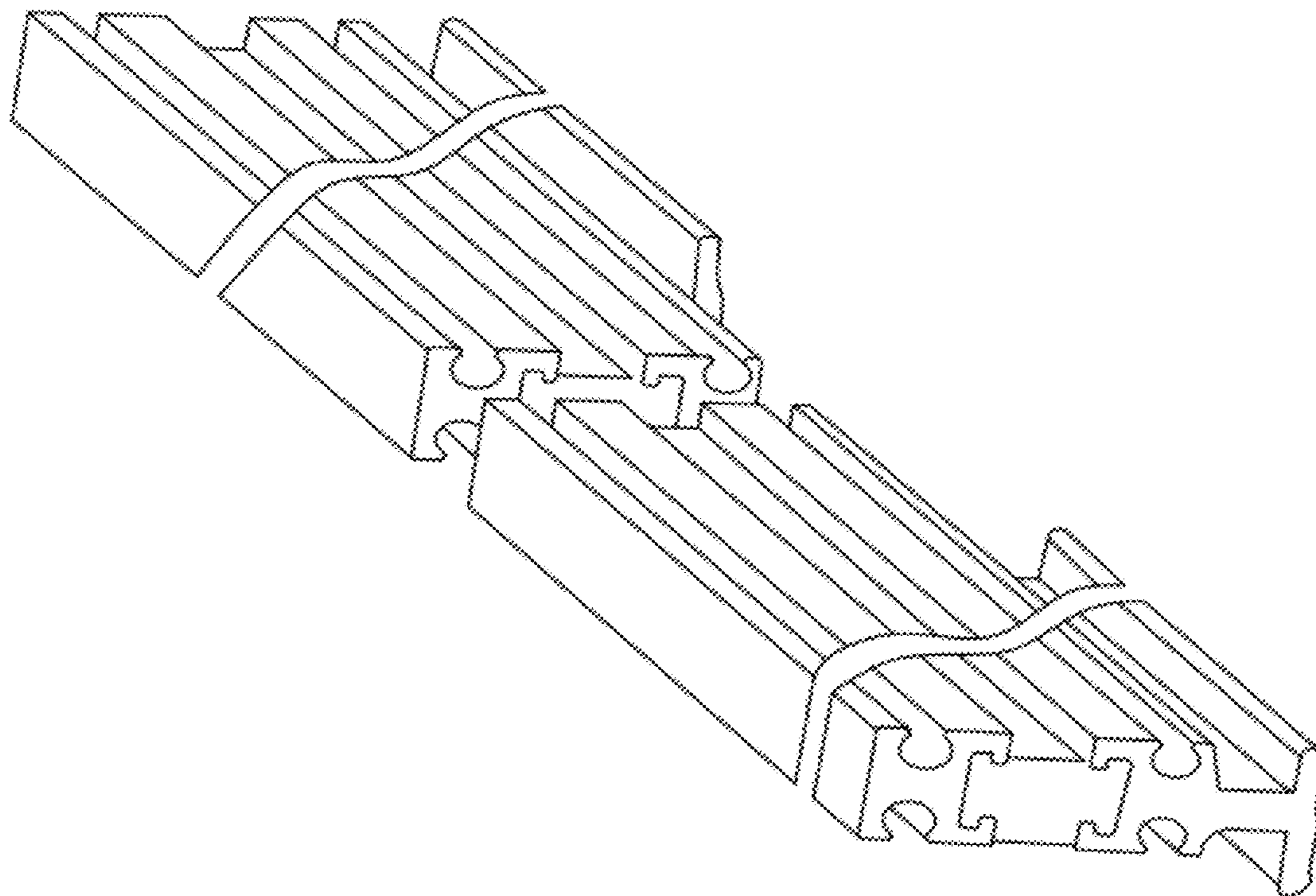
(57) **CLAIM**

I claim the ornamental design for a mating horizontal T-stem connector assembly, as shown and described.

DESCRIPTION

FIG. 1 is a top, front, left perspective view of a mating horizontal T-stem connector assembly showing my new design; FIG. 2 is a front elevation view thereof; FIG. 3 is a rear elevation view thereof; FIG. 4 is a top plan view thereof; FIG. 5 is a bottom plan view thereof; FIG. 6 is a right side elevation view thereof; and, FIG. 7 is a left side elevation view thereof. The connectors have been broken with wavy lines to indicate indefinite length.

1 Claim, 4 Drawing Sheets



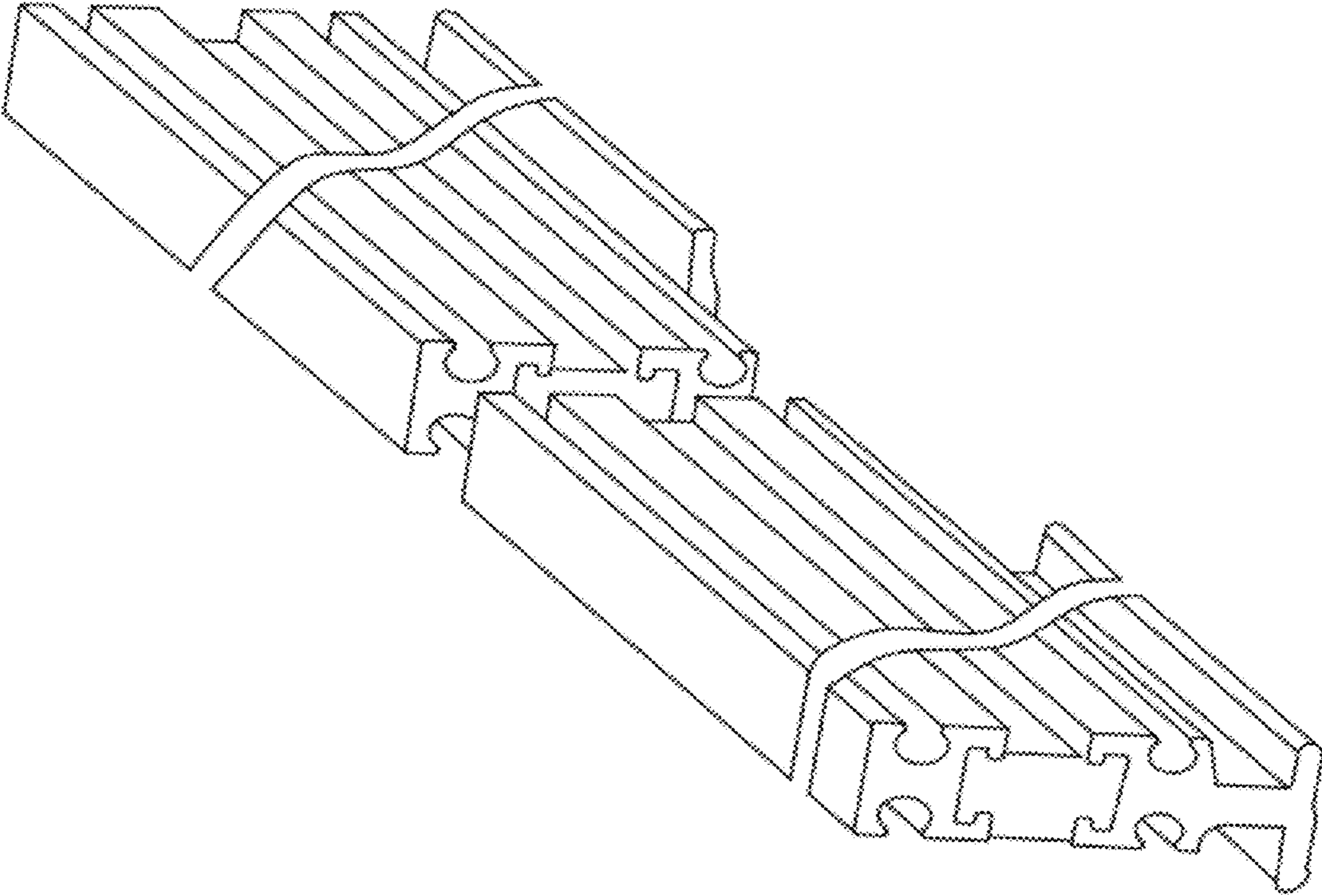


FIG. 1

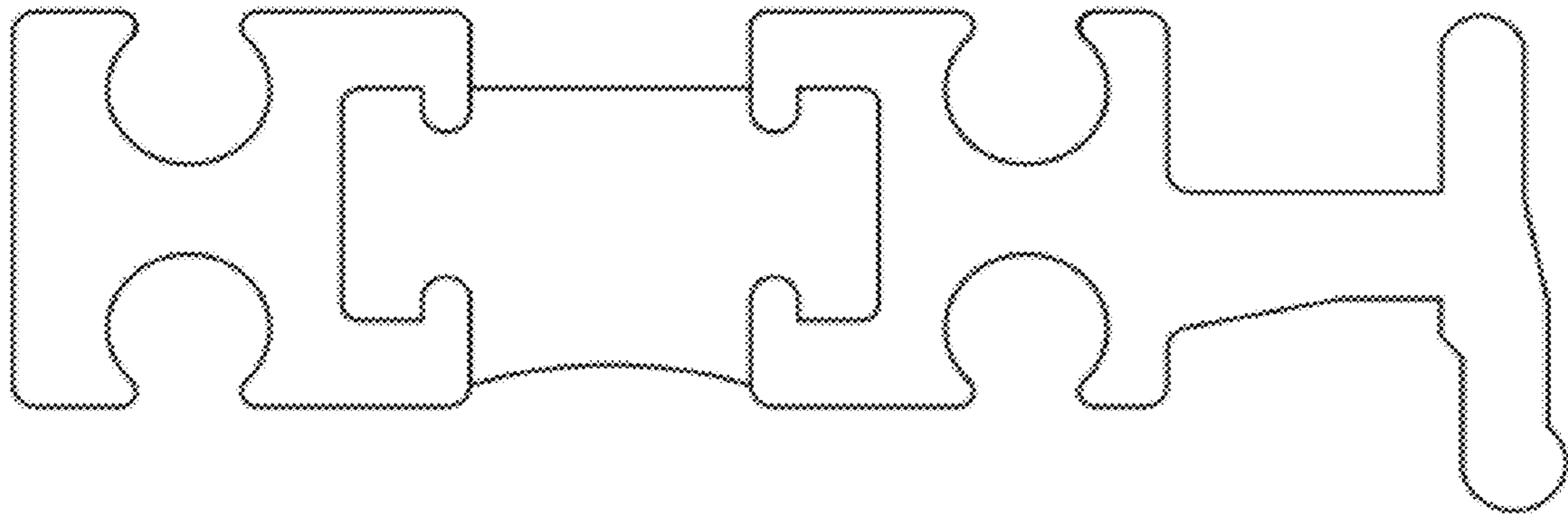


FIG. 2

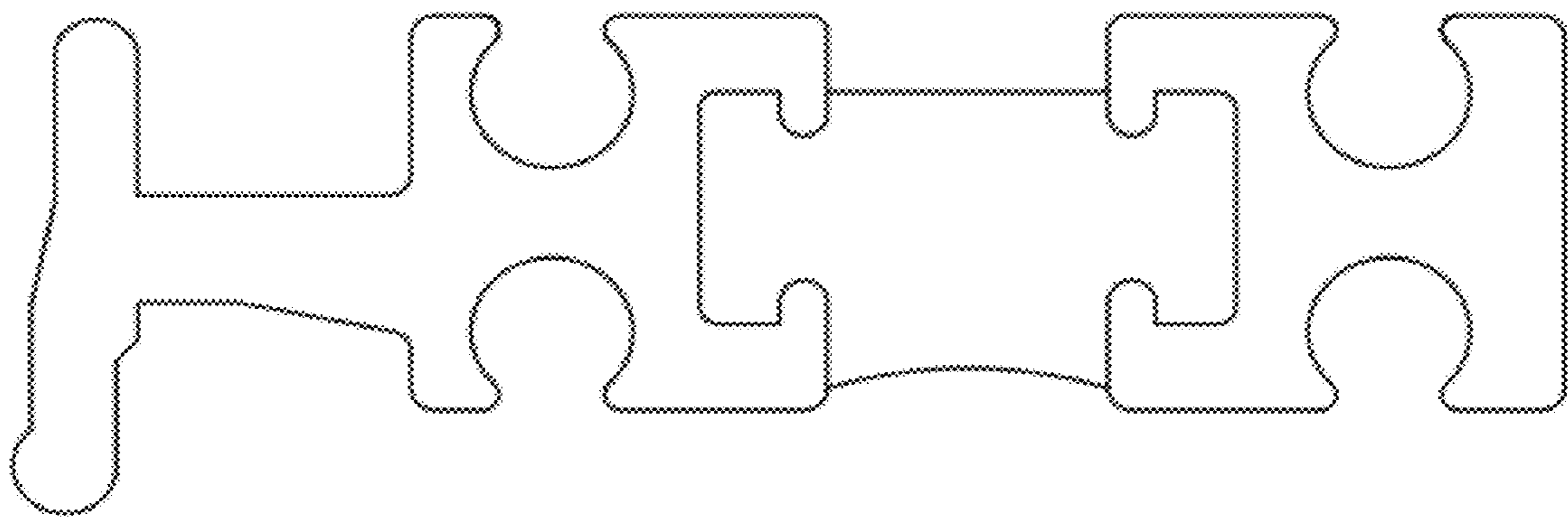


FIG. 3

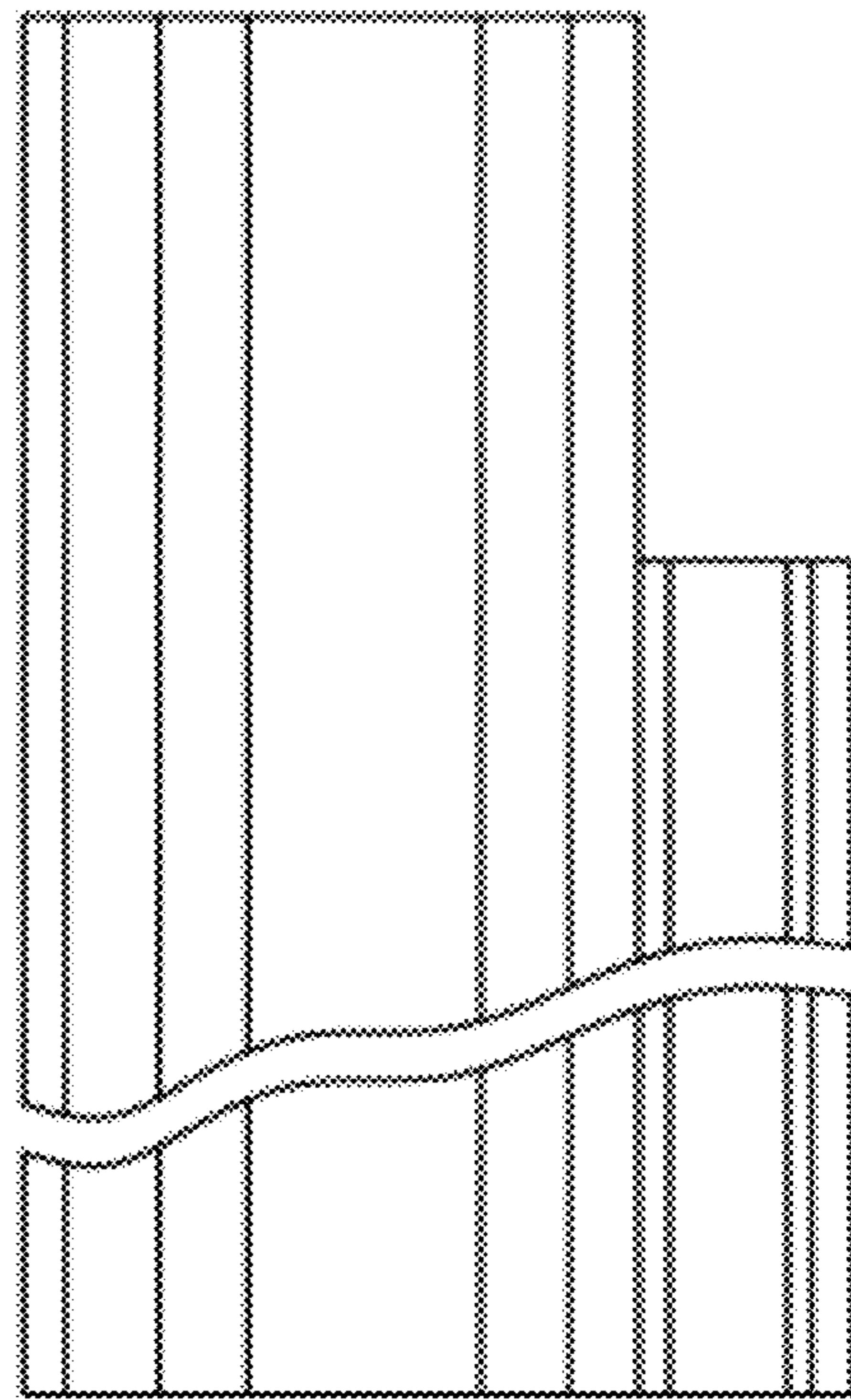
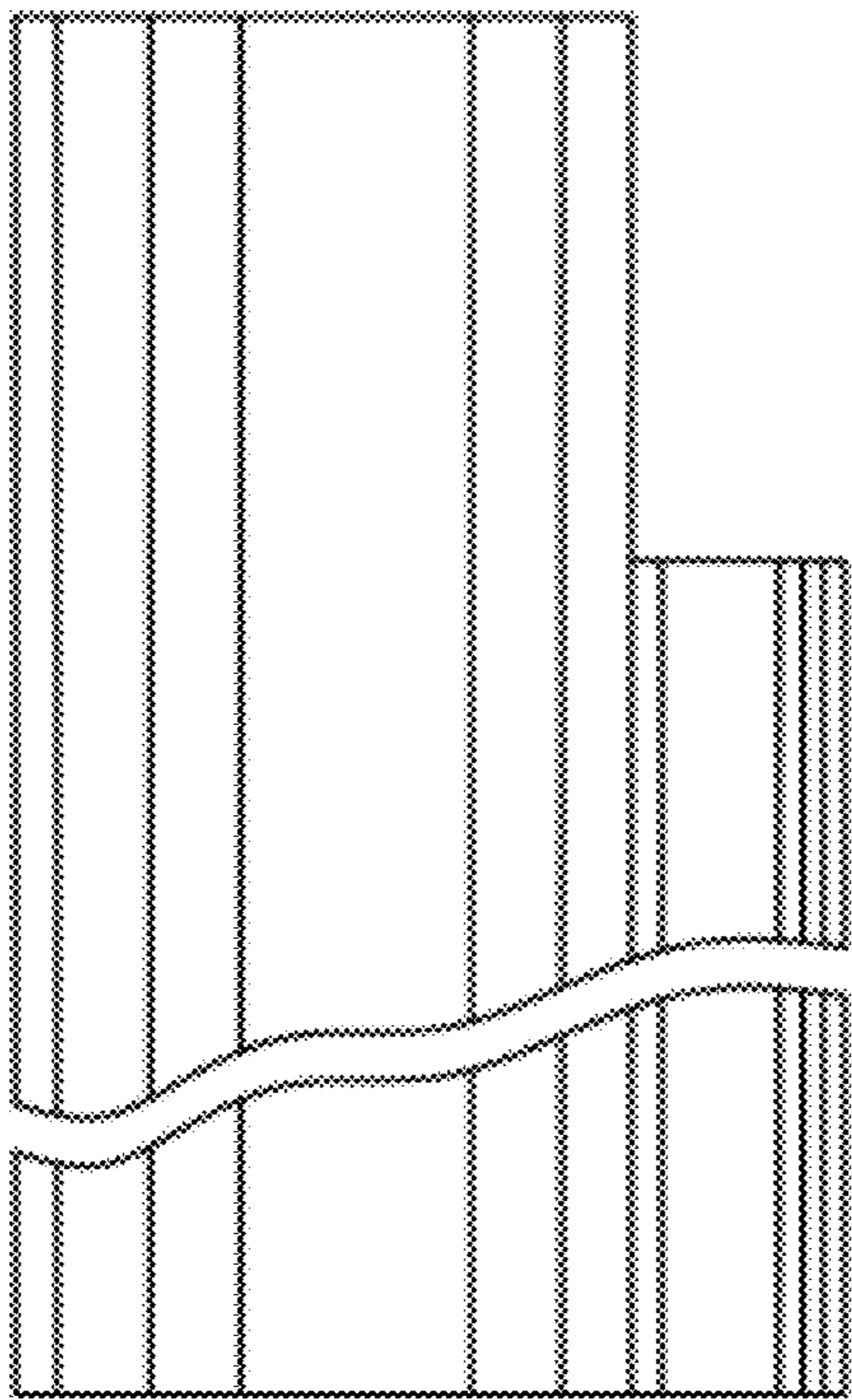
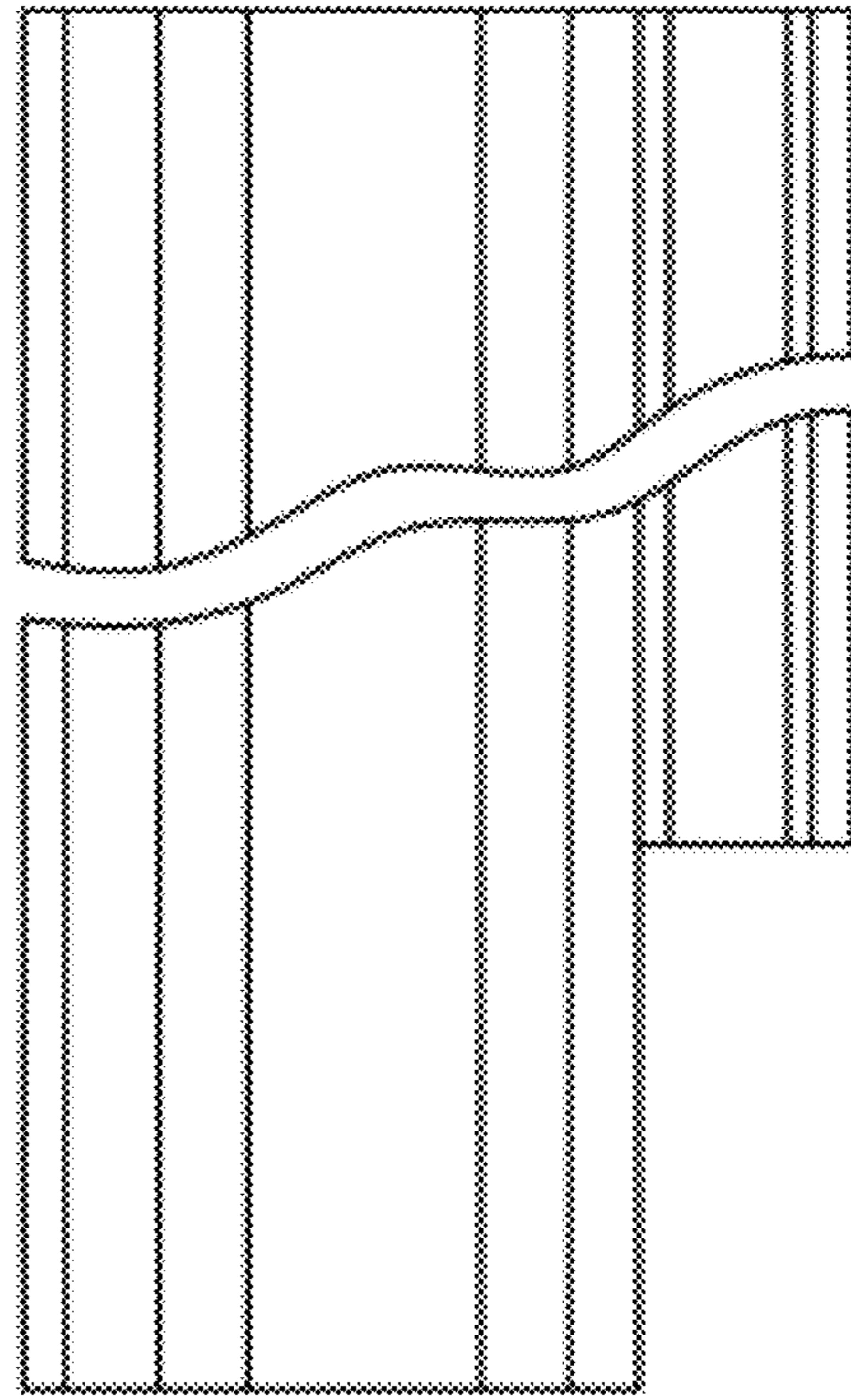
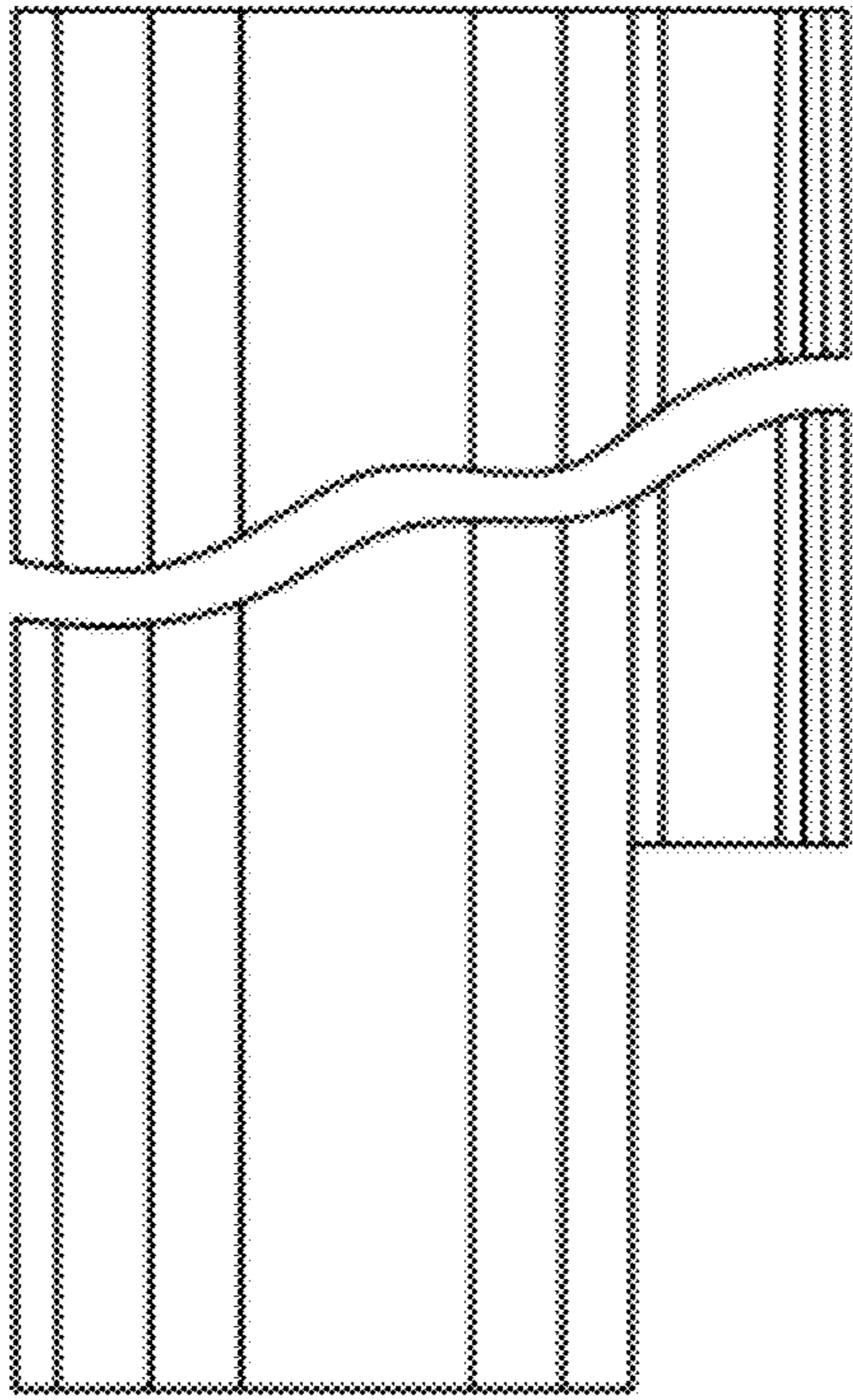


FIG. 4

FIG. 5

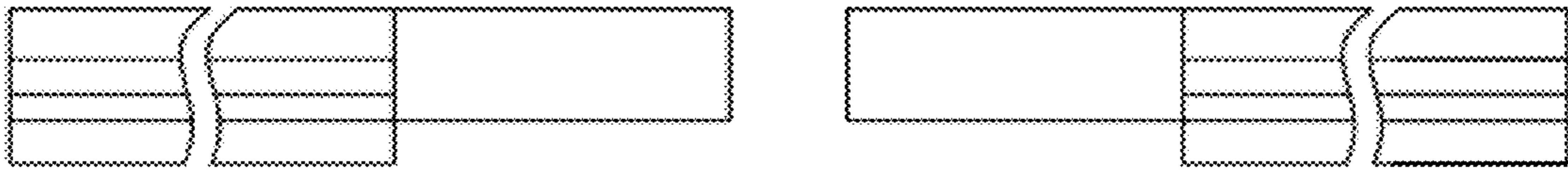


FIG. 6

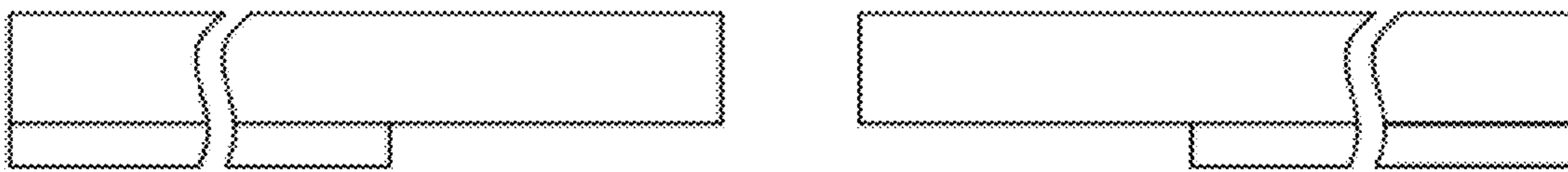


FIG. 7