

US00D662228S

(12) **United States Design Patent**
Paige

(10) **Patent No.:** **US D662,228 S**

(45) **Date of Patent:** **** Jun. 19, 2012**

(54) **BARRIER POST**

D372,316 S * 7/1996 Purvis D25/126
6,935,059 B1 * 8/2005 Chang 40/607.02

(76) Inventor: **Keith L. Paige**, Forch (CH)

* cited by examiner

(**) Term: **14 Years**

Primary Examiner — Doris Clark

(21) Appl. No.: **29/391,588**

(74) *Attorney, Agent, or Firm* — Mark R. Malek, Esq.; Zies
Widerman & Malek

(22) Filed: **May 11, 2011**

(57) **CLAIM**

(51) **LOC (9) Cl.** **25-01**

I claim the ornamental design for a barrier post, as shown and
described.

(52) **U.S. Cl.** **D25/126**

DESCRIPTION

(58) **Field of Classification Search** D25/58,
D25/126, 51; 49/34; 256/1
See application file for complete search history.

FIG. 1 is a perspective view of a barrier post illustrating the
folded feet in a fully extended position.

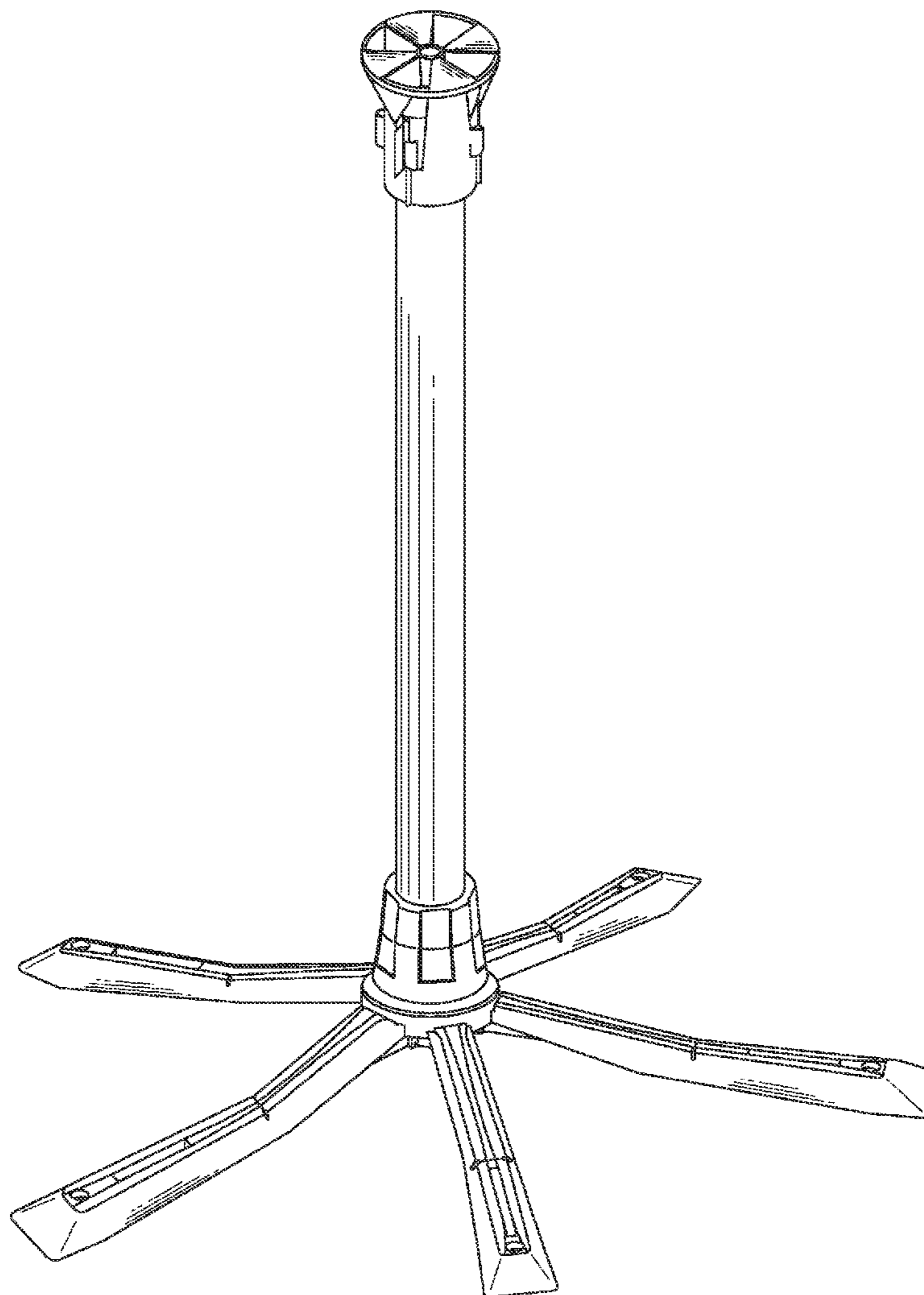
(56) **References Cited**

FIG. 2 is a perspective view of a barrier post according to the
present invention showing the folding feet being moved
between the extended position and a retracted position; and,
FIG. 3 is a perspective view of a barrier post according to the
present invention showing the folding feet in a fully retracted
position.

U.S. PATENT DOCUMENTS

5,050,846 A * 9/1991 Goodman et al. 256/1
D347,072 S * 5/1994 Hallin D25/126

1 Claim, 3 Drawing Sheets



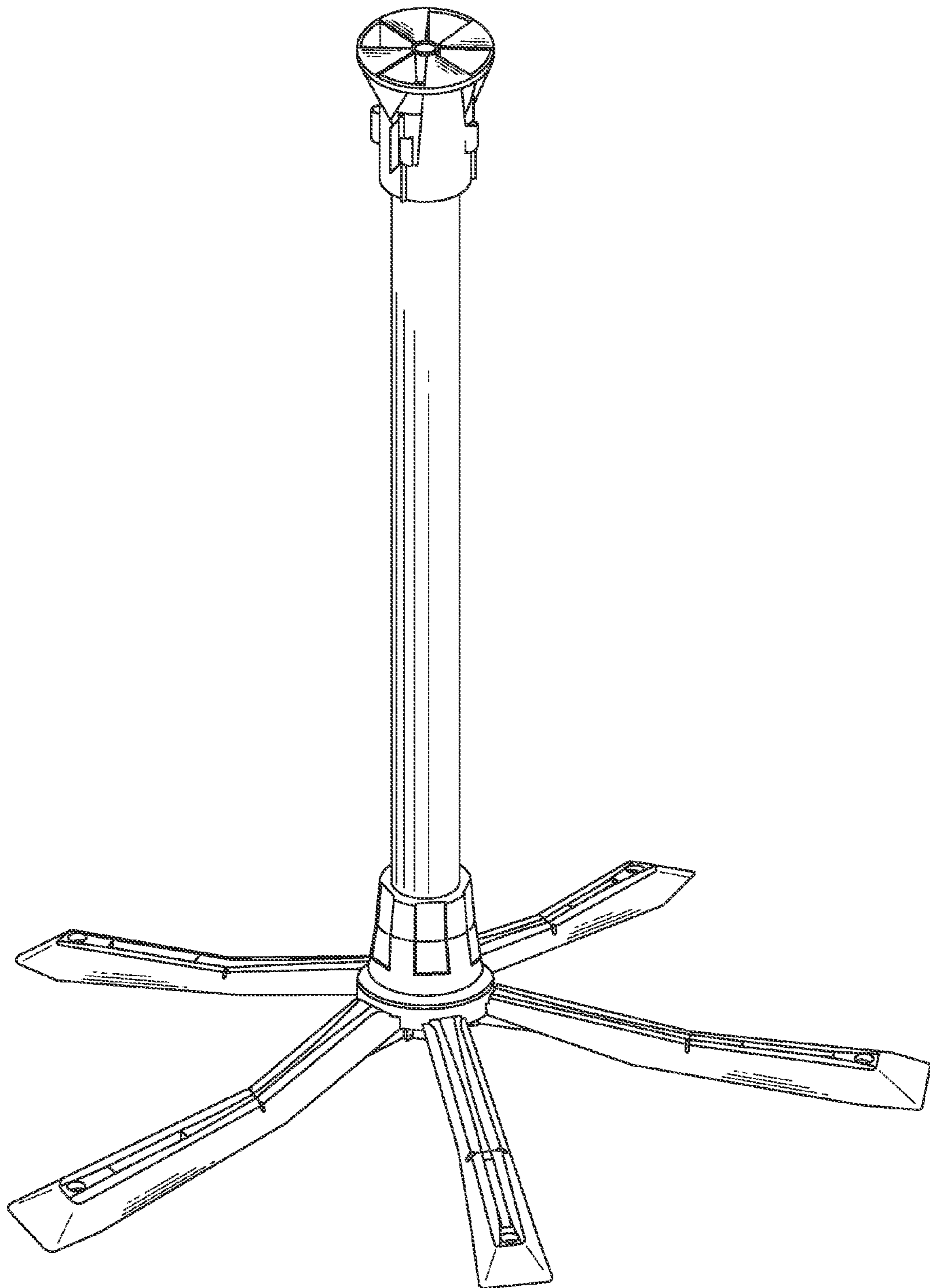


Fig. 1

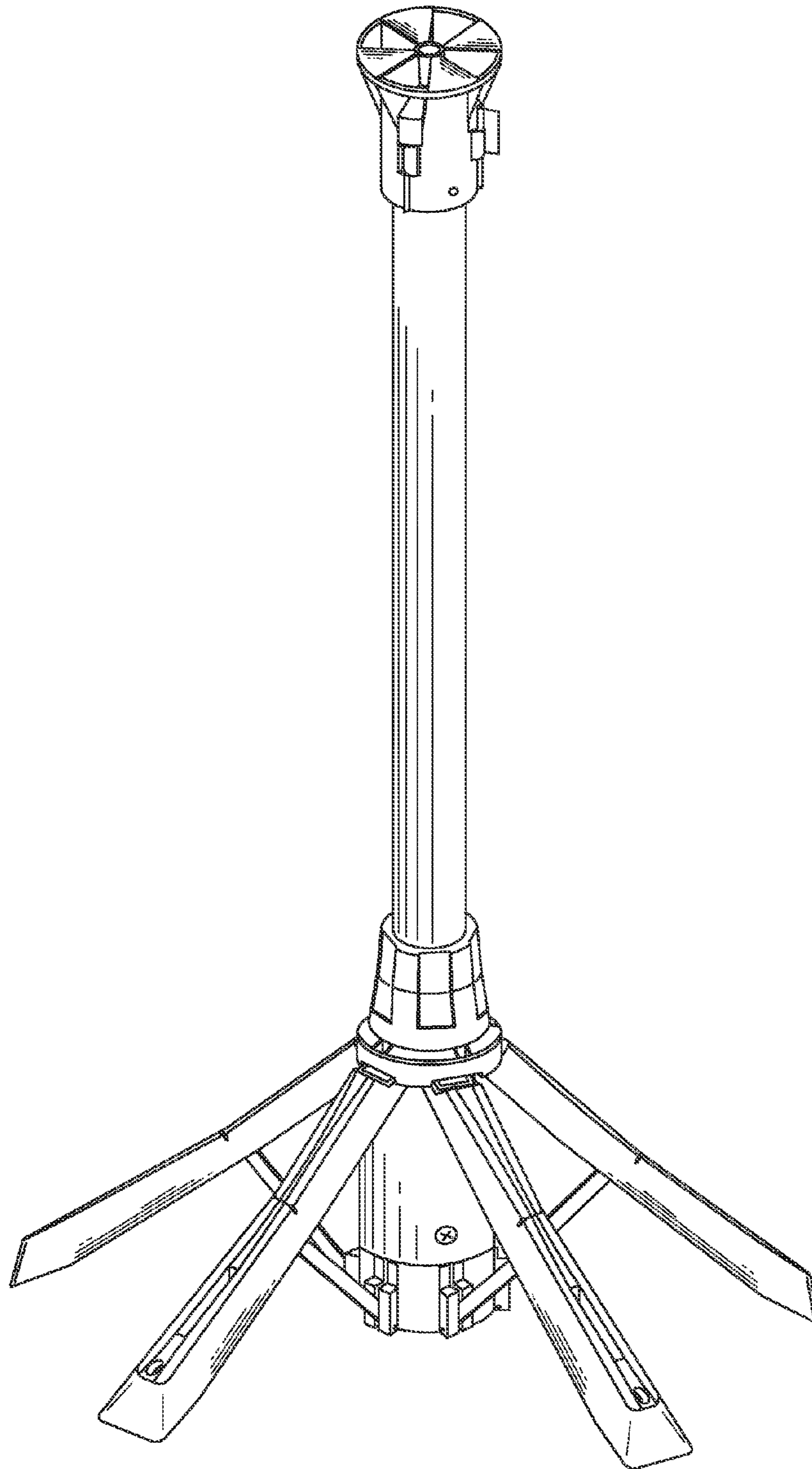


Fig. 2

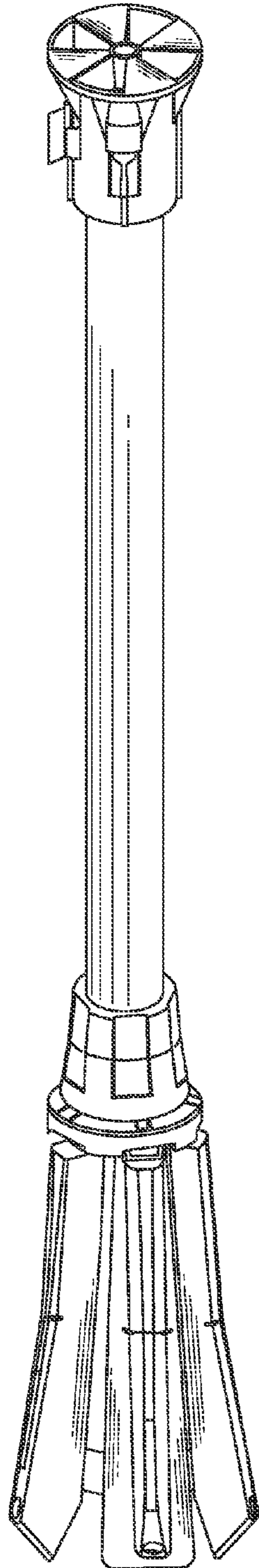


Fig. 3