



US00D662225S

(12) **United States Design Patent**
Amidon et al.

(10) **Patent No.:** **US D662,225 S**
(45) **Date of Patent:** **** Jun. 19, 2012**

(54) **PRECAST PANEL FOR USE IN A LIVE-FIRE TRAINING STRUCTURE**

(75) Inventors: **Clayton Dean Amidon**, Zebulon, NC (US); **Mark Alan Siver**, Wake Forest, NC (US)

(73) Assignee: **Amidon Contracting Solutions, Inc.**, Youngsville, NC (US)

(**) Term: **14 Years**

(21) Appl. No.: **29/382,144**

(22) Filed: **Dec. 29, 2010**

(51) **LOC (9) Cl.** **25-02**

(52) **U.S. Cl.** **D25/113**

(58) **Field of Classification Search** D25/113;
52/439, 424, 431, 592.6; 405/273, 284
See application file for complete search history.

(56) **References Cited**

U.S. PATENT DOCUMENTS

1,773,579	A *	8/1930	Flath	405/273
4,314,431	A *	2/1982	Rabassa	D25/113
7,108,577	B2 *	9/2006	Peters et al.	52/592.6
D617,914	S	6/2010	Sims		
2007/0094989	A1 *	5/2007	Scheker	52/596

OTHER PUBLICATIONS

Web pages from <http://www.ballisticstech.com>, 6 pgs, as printed on Apr. 7, 2011.

Web pages from <http://www.terrancorp.com>, 9 pgs, as printed on Apr. 7, 2011.

“US Army Engineer R&D Center Geotechnical and Structures Laboratory”, excerpt from <http://www.flcsoutheast.org/success/2004.html>, 1 pg, as printed on Apr. 7, 2011.

Ballistics Technology International Ltd., “Sacon® Live-Fire Facilities”, 12 pgs (2005).

* cited by examiner

Primary Examiner — Robert Delehanty

(74) *Attorney, Agent, or Firm* — Kevin E. Flynn; Flynn IP Law

(57) **CLAIM**

The ornamental design for a precast panel for use in a live-fire training structure, as shown and described.

DESCRIPTION

FIG. 1 is a top, front, and side perspective view which includes two threaded bores shown in broken lines for illustrative purposes only and forming no part of the claimed design.

FIG. 2 is a bottom, front, and side perspective view.

FIG. 3 is a bottom, back, and side perspective view.

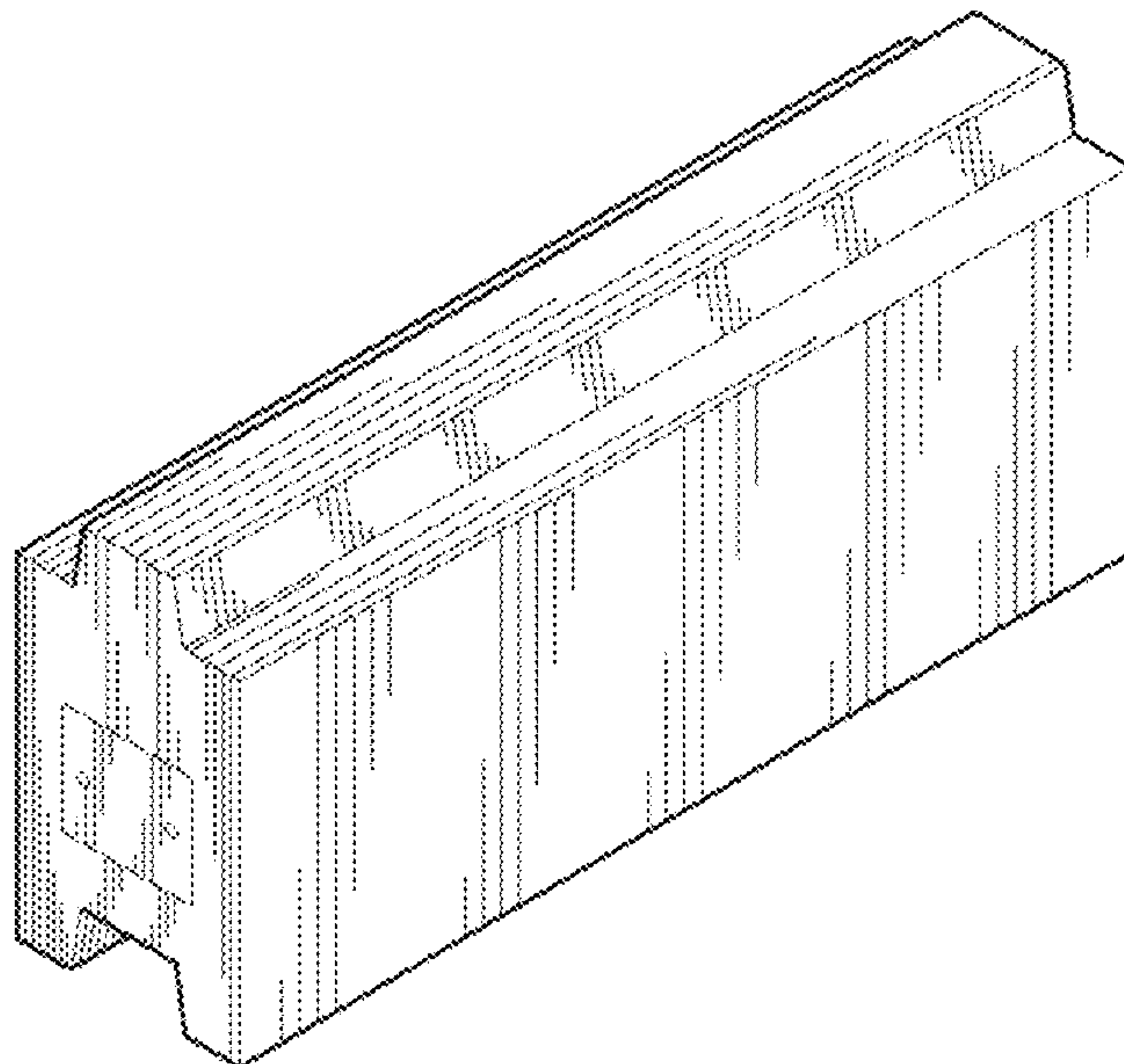
FIG. 4 is a top plan view which includes two threaded bores shown in broken lines for illustrative purposes only and forming no part of the claimed design.

FIG. 5 is a bottom plan view.

FIG. 6 is a side elevation view, with the opposite side elevation view being a mirror image thereof; and,

FIG. 7 is a top plan view, but illustrating the interaction of the center precast panel with two adjacent precast panels for environmental purposes, with the two adjacent precast panels and the two threaded bores for the center precast panel shown in broken lines for illustrative purposes only and forming no part of the claimed design. The slight gap between the interlocking top and bottom portions has been exaggerated slightly for purposes of illustrating the presence of a gap.

1 Claim, 6 Drawing Sheets



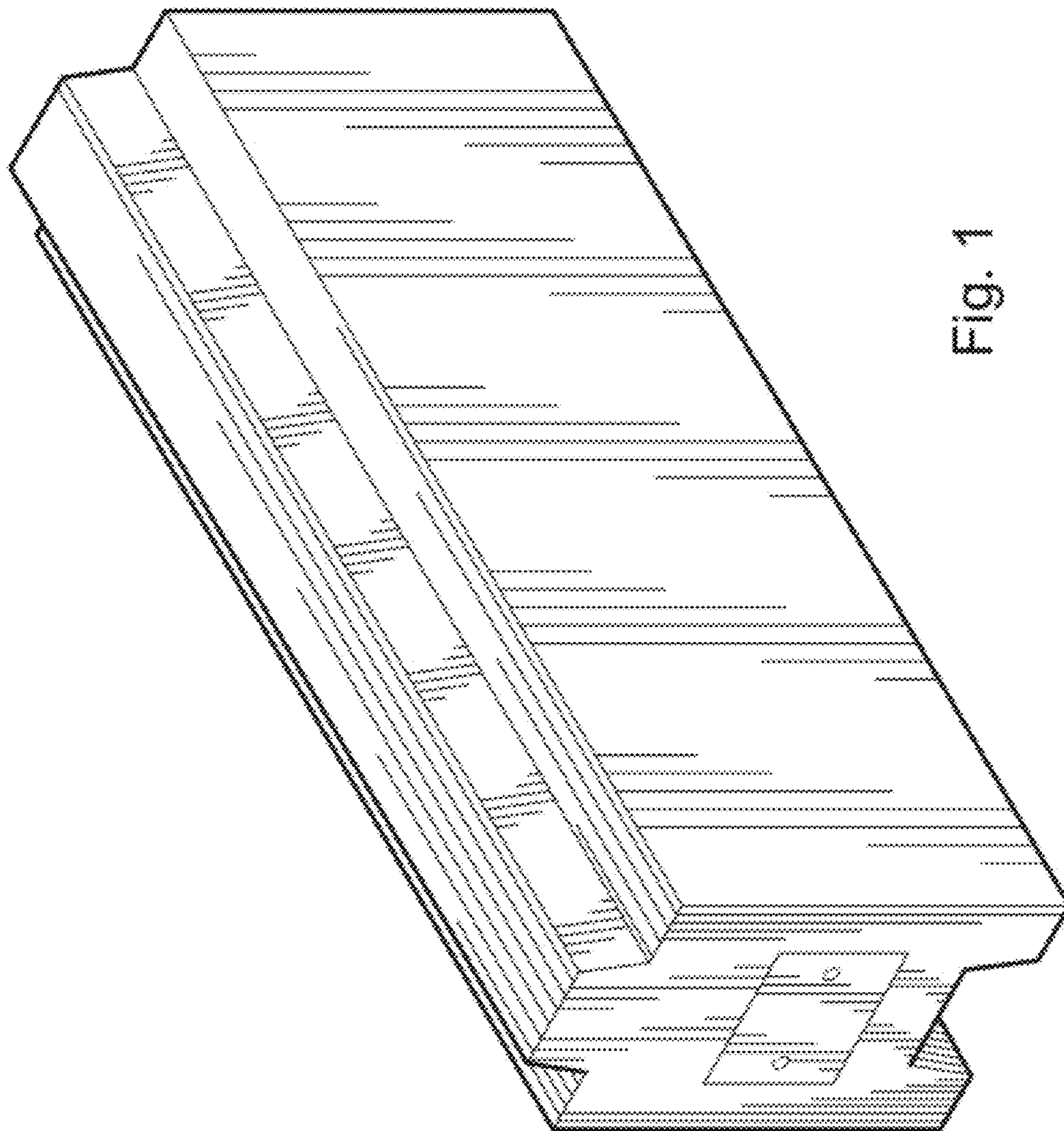


Fig. 1

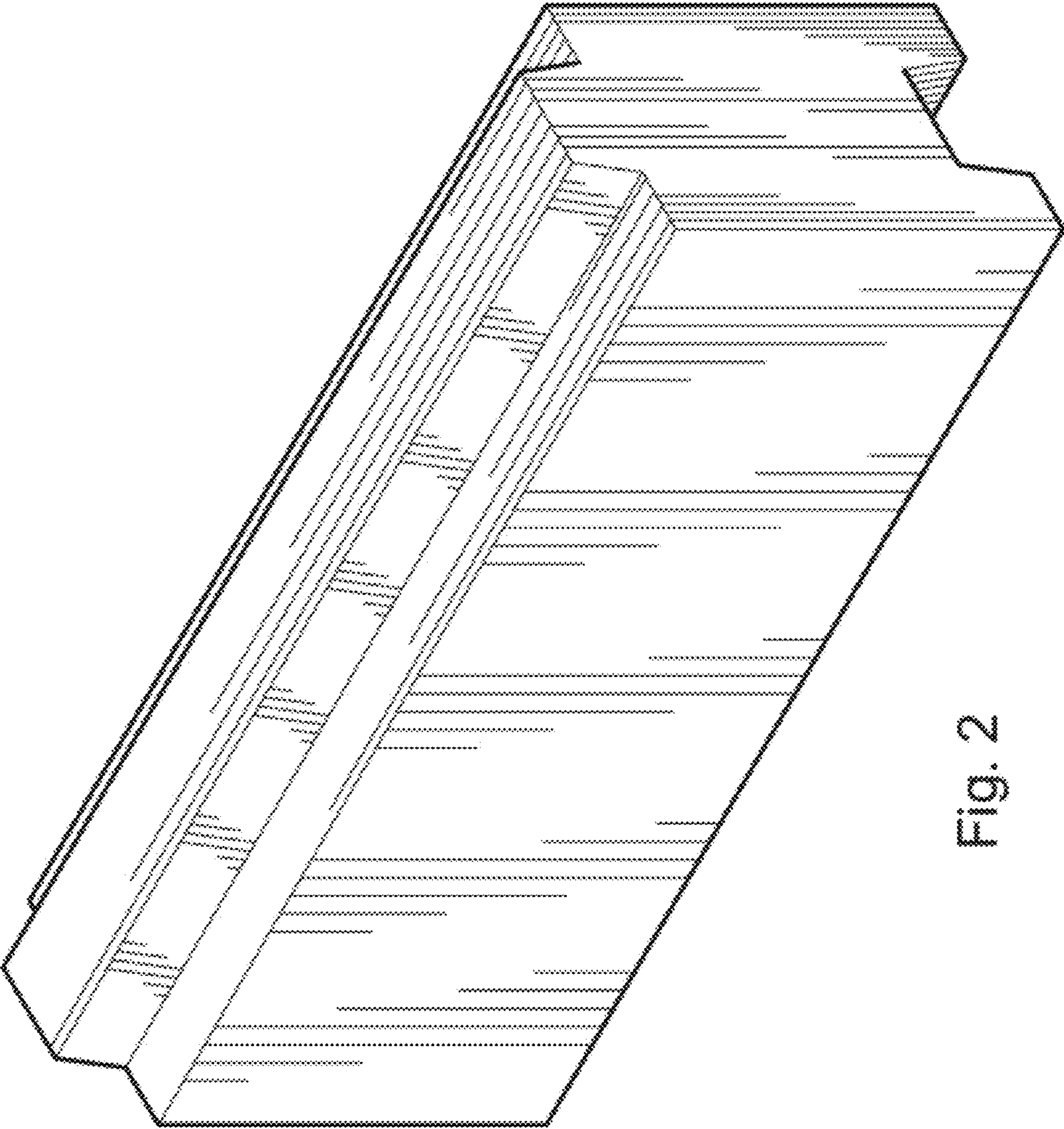


Fig. 2

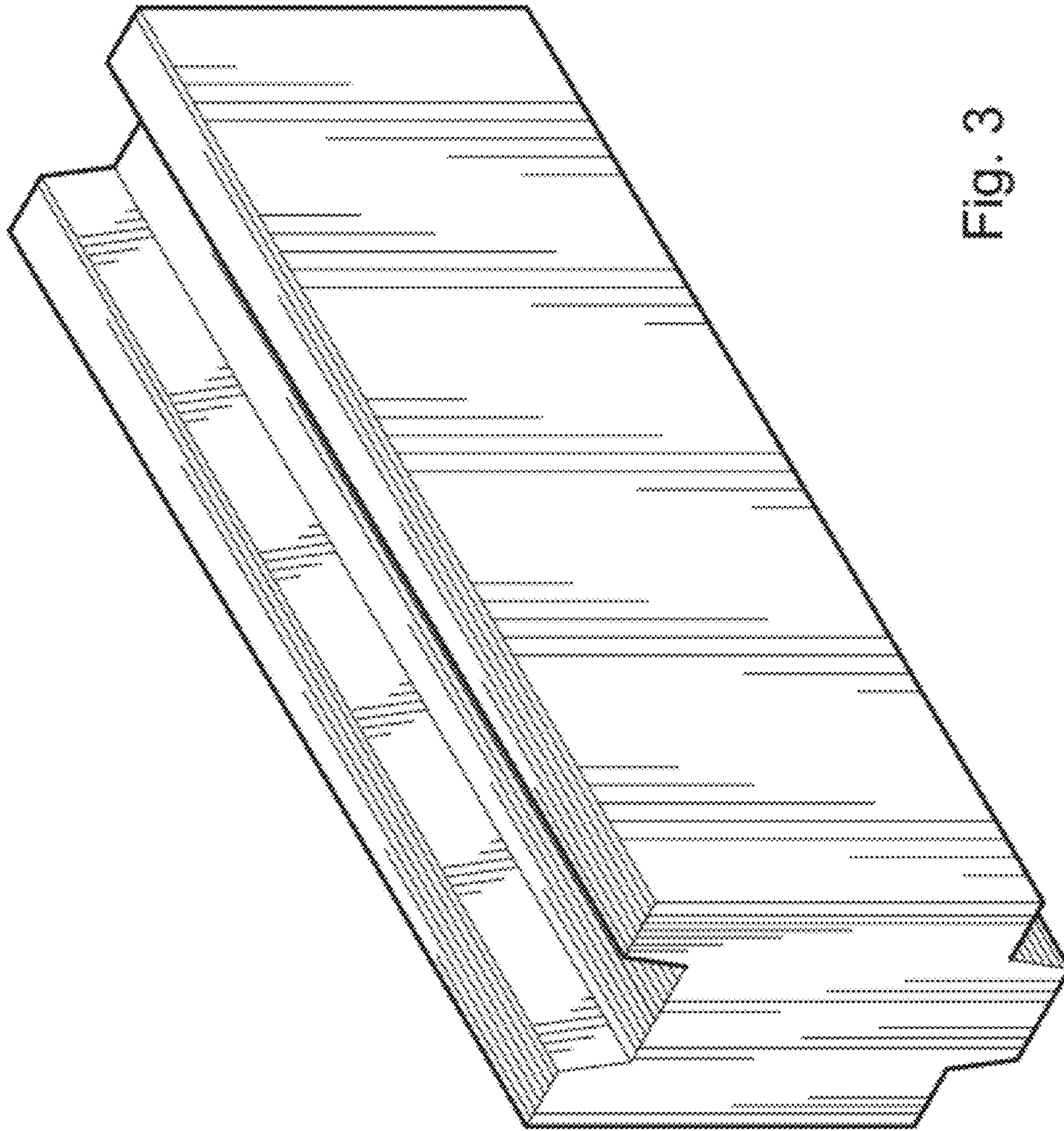


Fig. 3

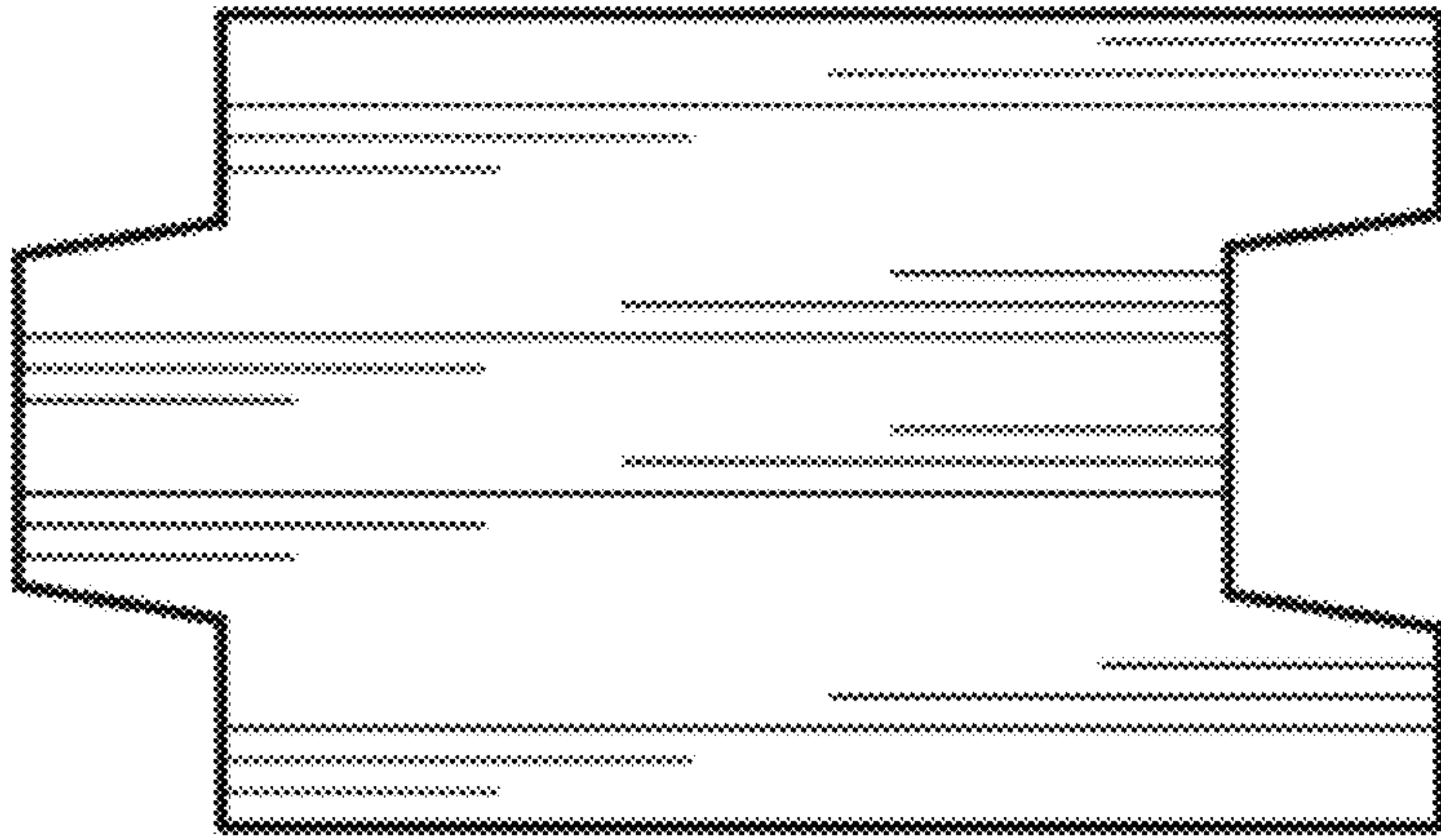


Fig. 5

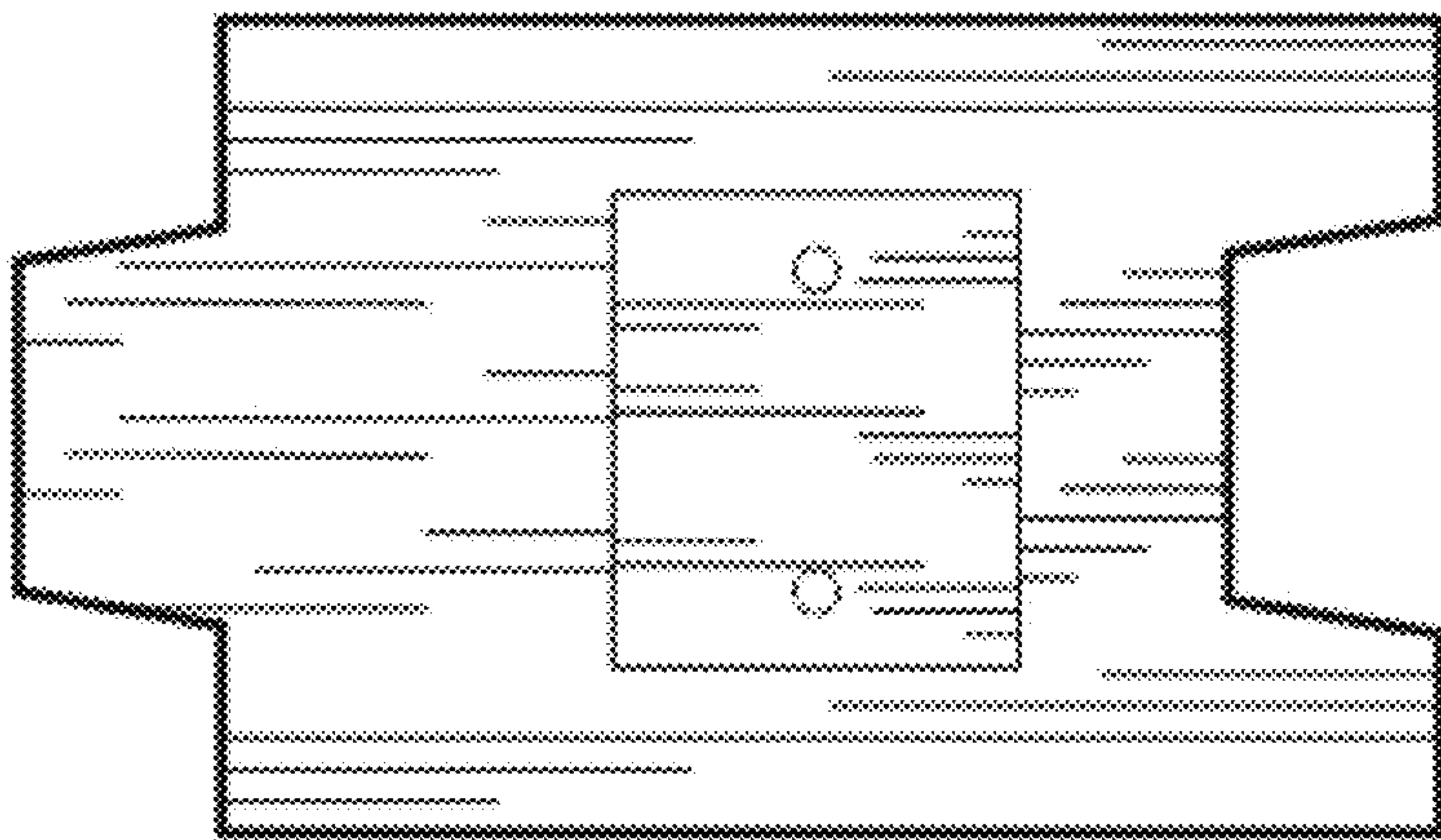


Fig. 4

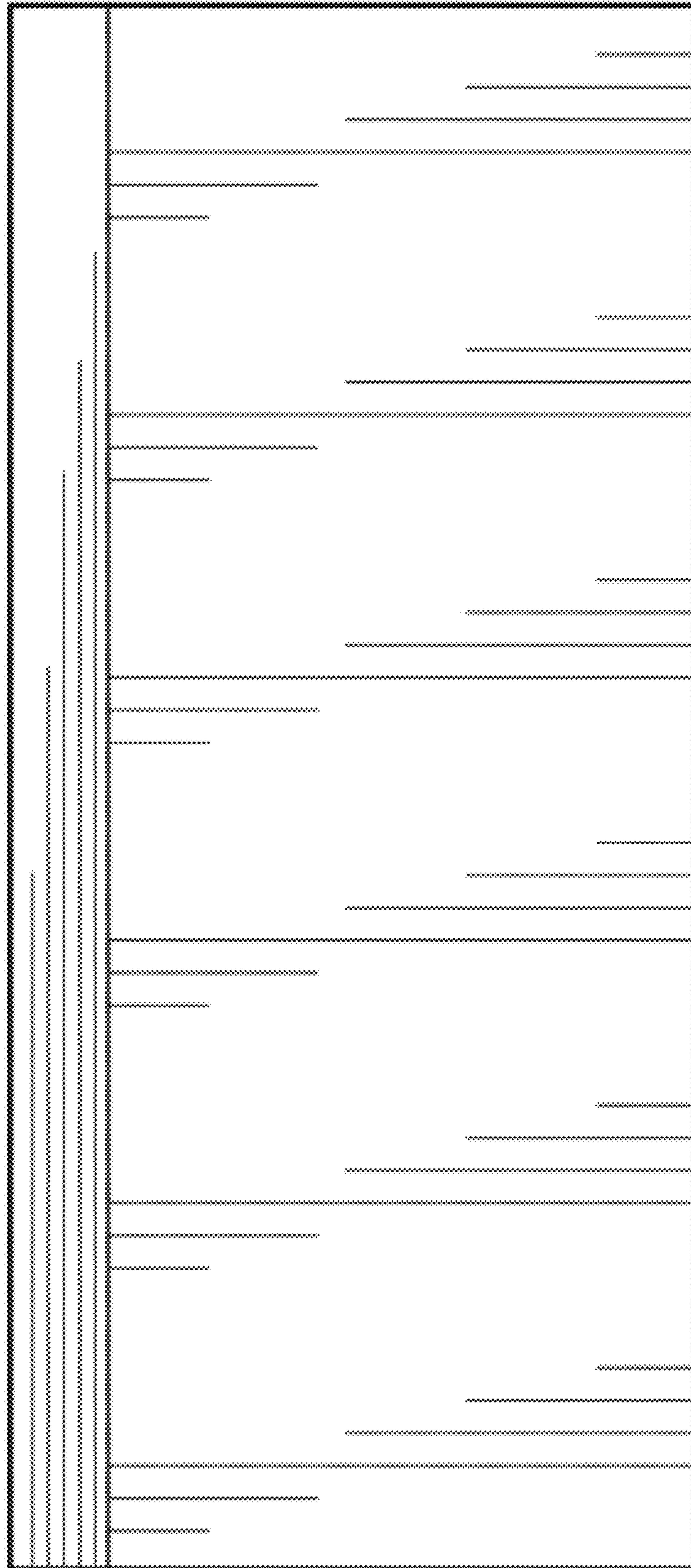


Fig. 6

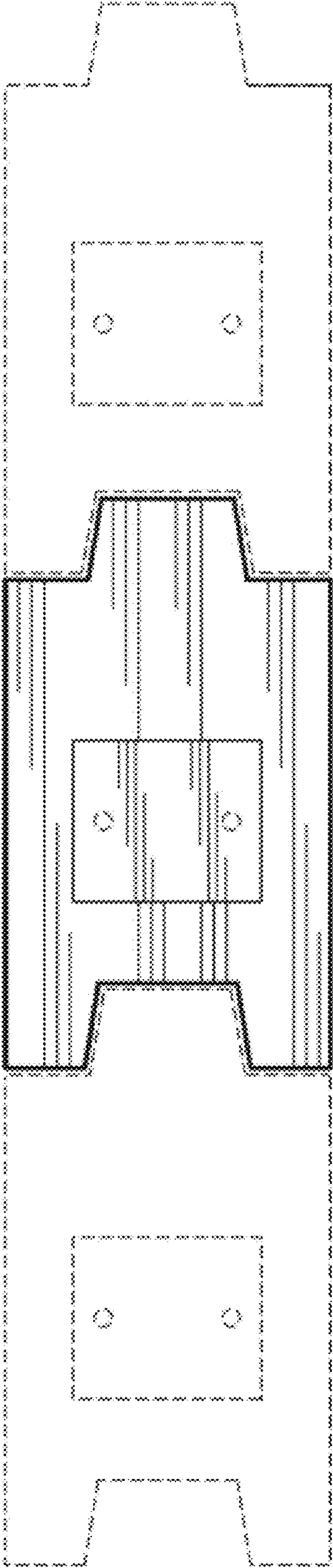


Fig. 7