

US00D662221S

(12) **United States Design Patent**
Small

(10) **Patent No.:** **US D662,221 S**
(45) **Date of Patent:** **** Jun. 19, 2012**

- (54) **SECURITY SYSTEM PORTAL**
- (75) Inventor: **Farrell Small**, Lake Mary, FL (US)
- (73) Assignee: **Microsemi Corporation**, Aliso Viejo, CA (US)
- (**) Term: **14 Years**
- (21) Appl. No.: **29/385,710**
- (22) Filed: **Feb. 18, 2011**
- (51) **LOC (9) Cl.** **25-03**
- (52) **U.S. Cl.** **D25/16**
- (58) **Field of Classification Search** D25/1, D25/16; 340/551-552, 572.1, 693.5; 324/243
See application file for complete search history.

- 7,145,328 B2 * 12/2006 Manneschi 324/228
- 7,145,456 B2 * 12/2006 Castle 340/552
- 7,193,524 B2 * 3/2007 Castle et al. 340/693.5
- 7,793,533 B2 * 9/2010 Manneschi 73/1.01
- 7,826,589 B2 * 11/2010 Kotowski et al. 378/57

* cited by examiner

Primary Examiner — T. Chase Nelson
Assistant Examiner — Kathleen M Sims
(74) *Attorney, Agent, or Firm* — Holland & Hart LLP

(57) **CLAIM**
The ornamental design for a security system portal, as shown.

DESCRIPTION

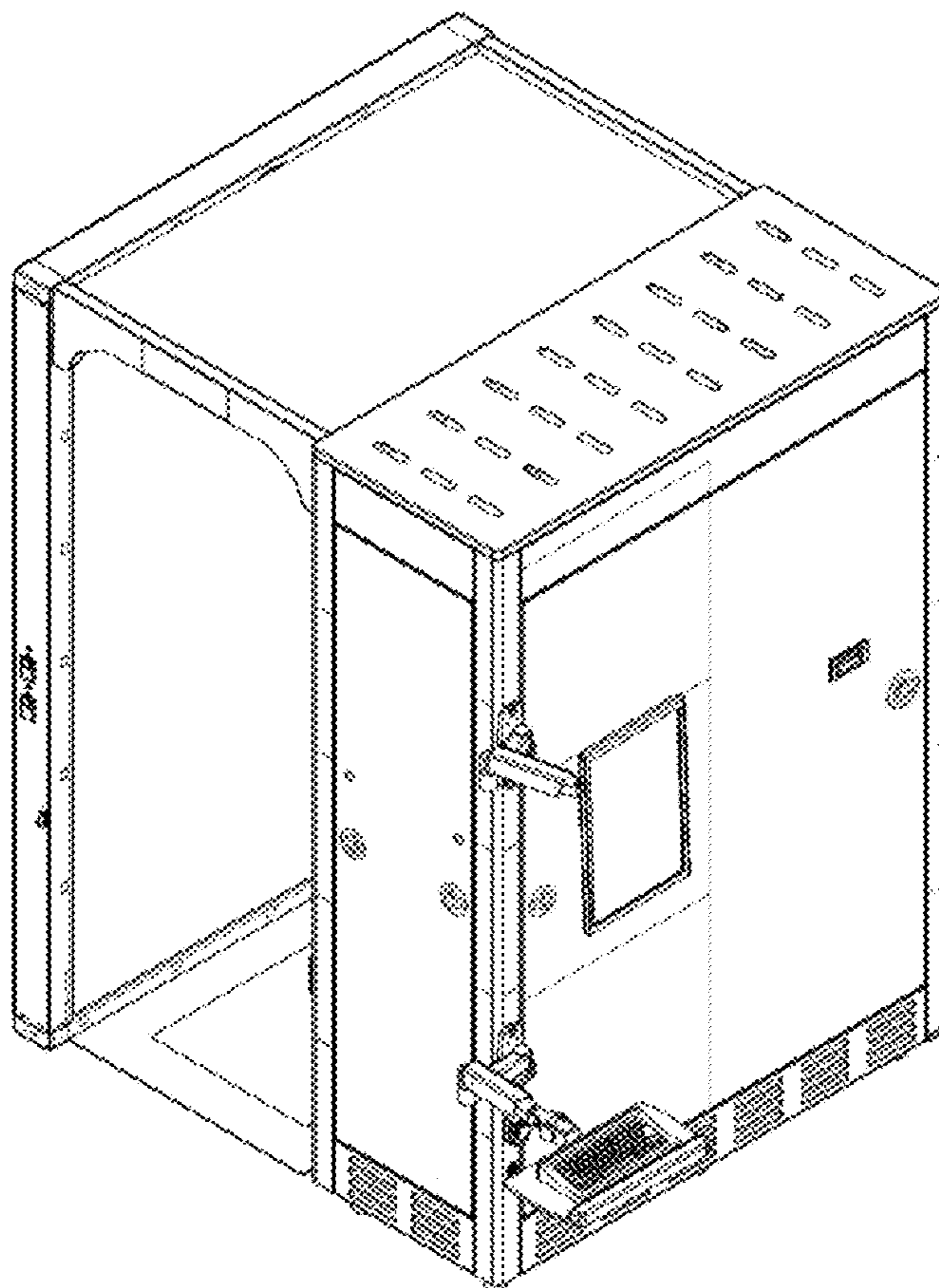
FIG. 1 is a front perspective view of a security system portal showing my new design;
FIG. 2 is a front view thereof;
FIG. 3 is a right view thereof;
FIG. 4 is a left side view thereof;
FIG. 5 is a rear side view thereof;
FIG. 6 is a top view thereof; and,
FIG. 7 is a bottom view thereof.
The broken lines showing details in FIGS. 1 and 5-7 are included for the purpose of showing environmental portions of the security system portal and form no part of the claimed design.

(56) **References Cited**

U.S. PATENT DOCUMENTS

- 6,094,472 A * 7/2000 Smith 378/86
- 6,133,829 A * 10/2000 Johnstone et al. 340/551
- 6,366,203 B1 * 4/2002 Burns 340/551
- 6,696,947 B1 * 2/2004 Bybee 340/551
- 6,819,241 B2 * 11/2004 Turner et al. 340/551
- 6,900,727 B2 * 5/2005 Lee 340/551
- 7,030,750 B2 * 4/2006 Lee 340/521
- 7,053,785 B2 * 5/2006 Akins 340/693.9

1 Claim, 7 Drawing Sheets



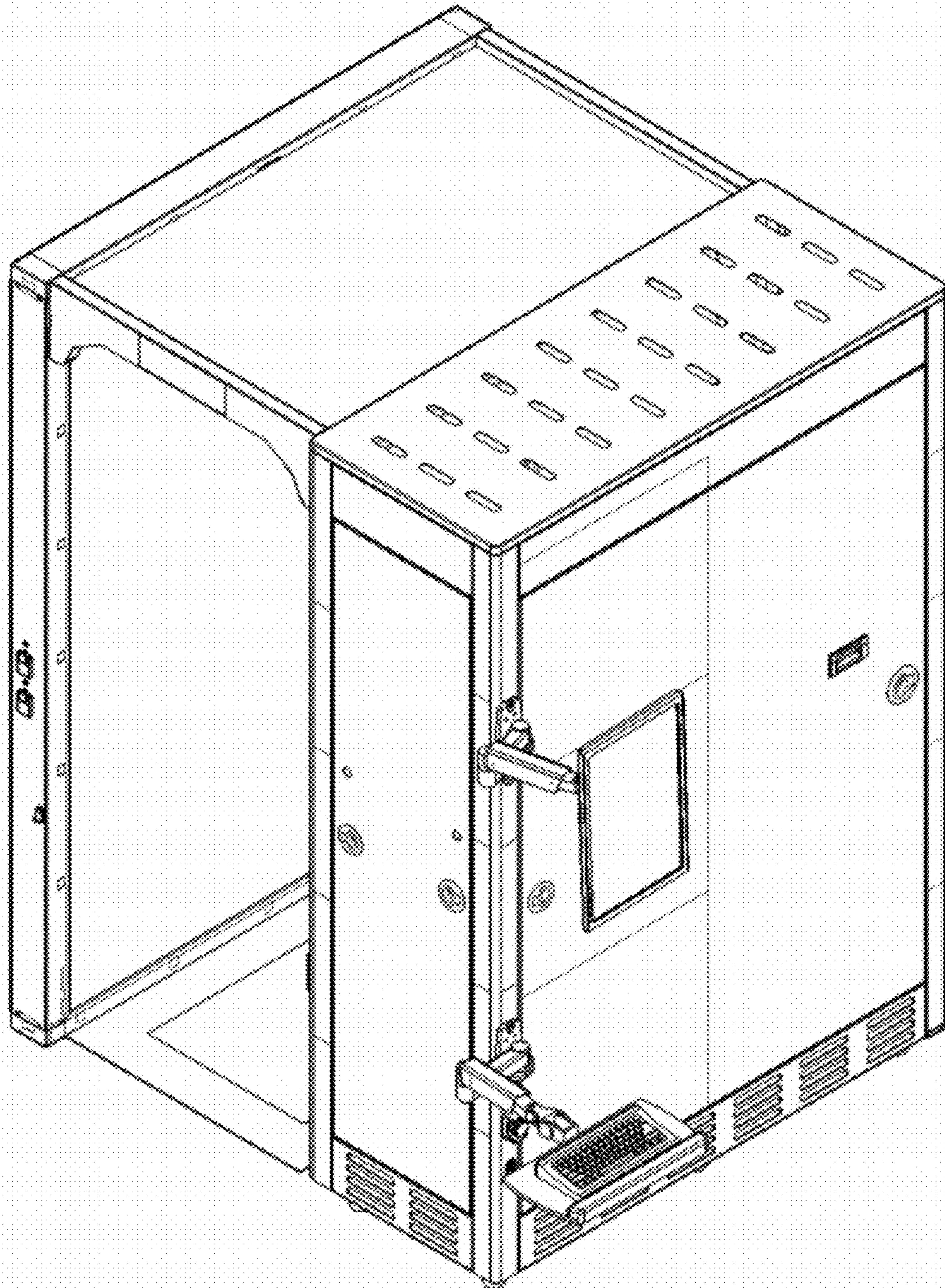


Fig. 1

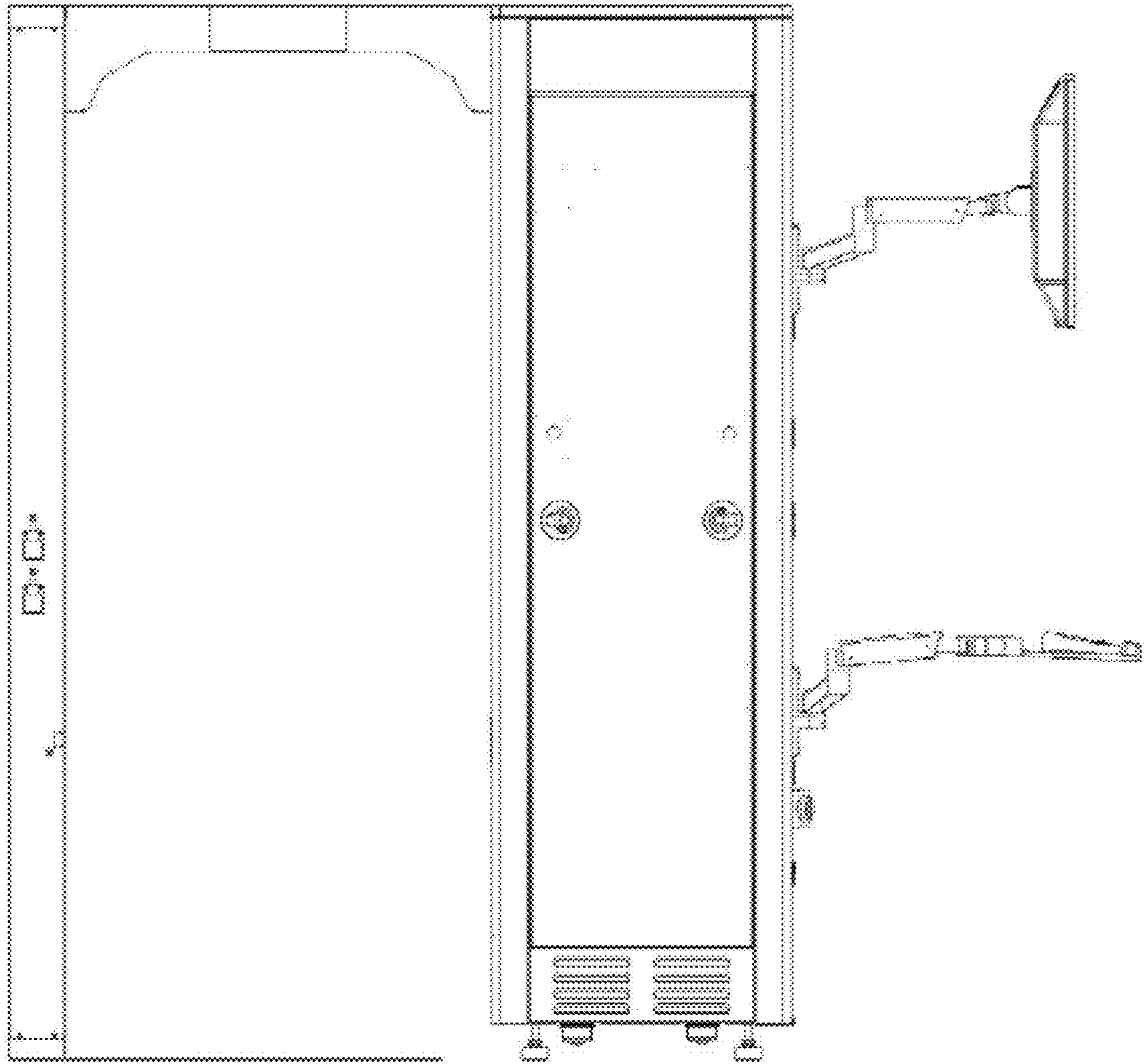


Fig. 2

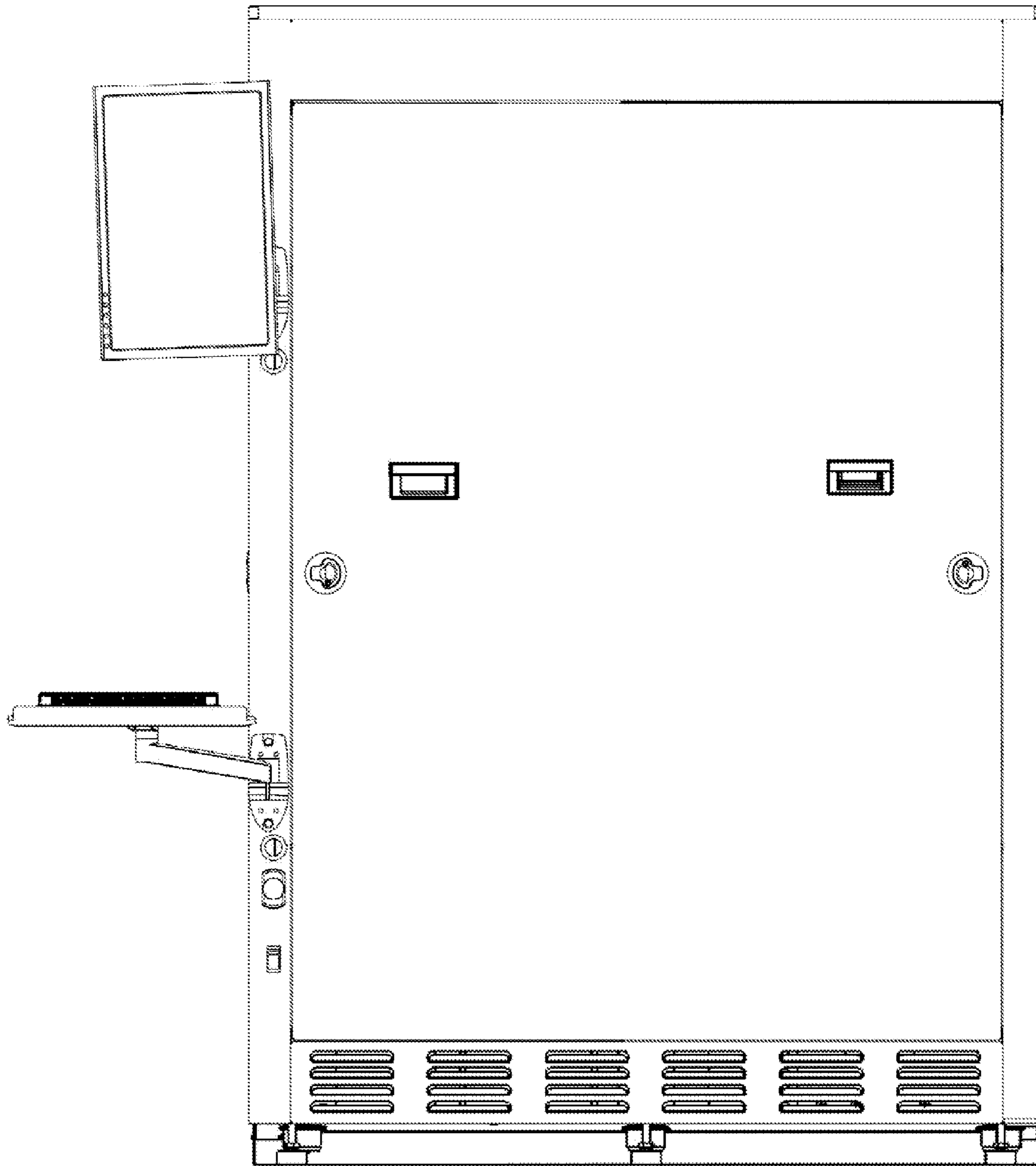


FIG. 3

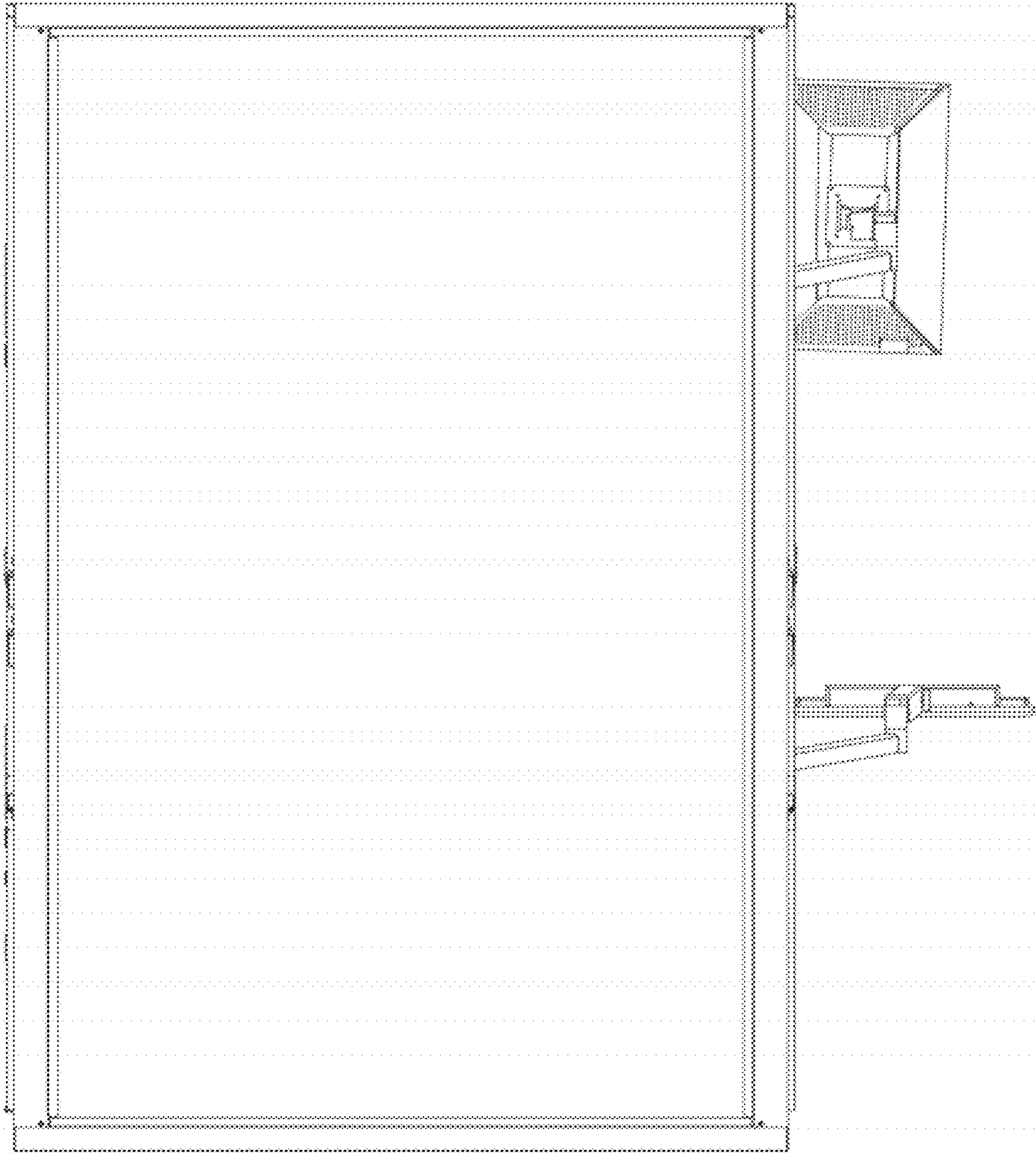
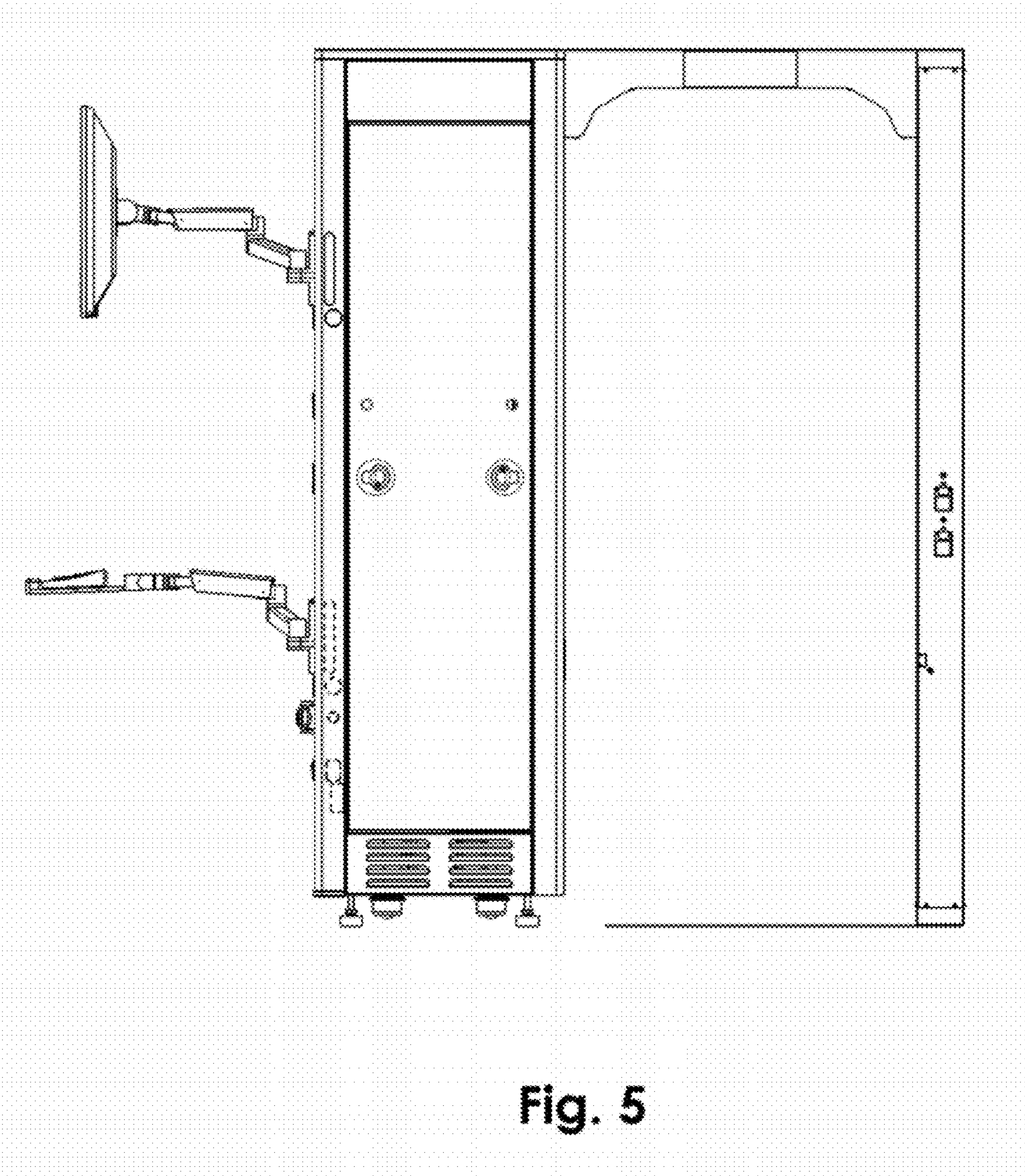


Fig. 4



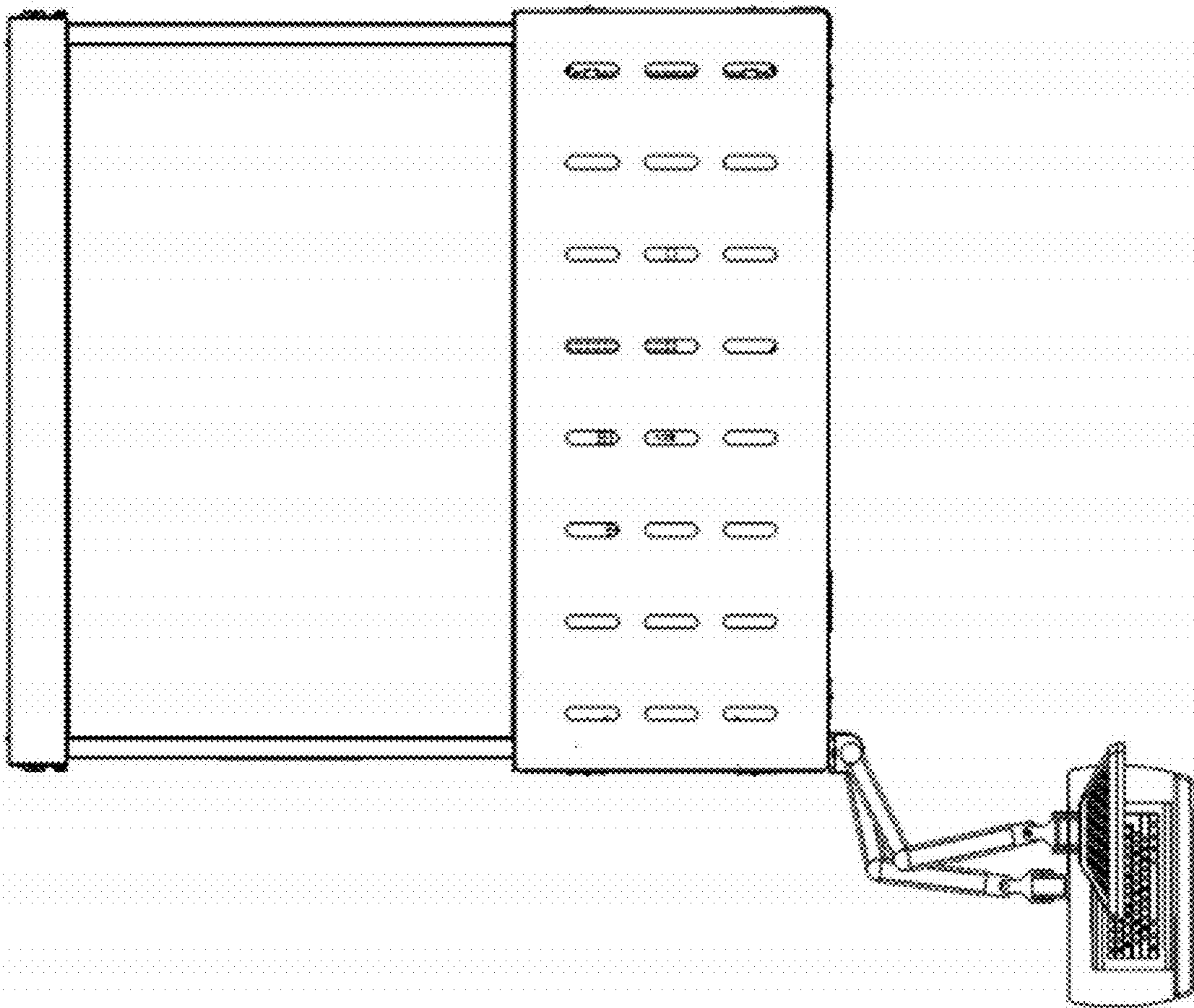


Fig. 6

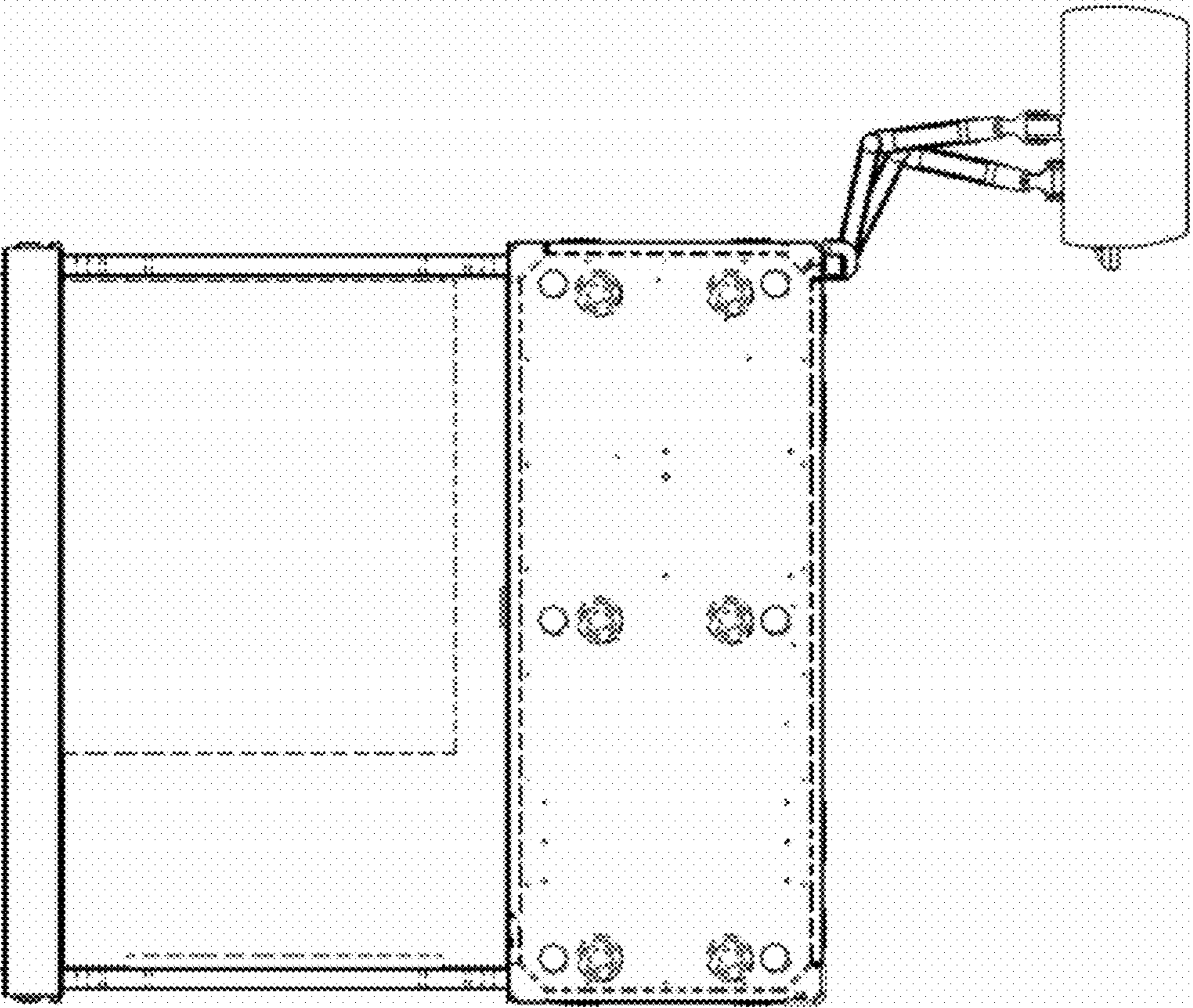


Fig. 7