



US00D662216S

(12) **United States Design Patent**  
**Karpiloff et al.**

(10) **Patent No.:** **US D662,216 S**

(45) **Date of Patent:** **\*\* Jun. 19, 2012**

(54) **CLOSURE OR A SPECIMEN CONTAINER HAVING AN INDICATOR SURFACE**

(75) Inventors: **Kenneth Karpiloff**, Mamaroneck, NY (US); **Michael Iskra**, Bridgewater, NJ (US)

(73) Assignee: **Becton, Dickinson and Company**, Franklin Lakes, NJ (US)

(\*\*) Term: **14 Years**

(21) Appl. No.: **29/354,344**

(22) Filed: **Jan. 22, 2010**

(51) **LOC (9) Cl.** ..... **24-01**

(52) **U.S. Cl.** ..... **D24/224**

(58) **Field of Classification Search** ..... D24/216, D24/222-226, 227, 229, 230, 231, 232, 169, D24/112-114; D10/81; D3/203.1-203.8; 422/99, 102; D9/432, 435, 436, 503, 504, D9/505, 529, 530, 549; 435/288.1, 288.3, 435/288.4, 304.1, 305.1, 305.3, 305.4; 215/247, 215/296, 297

See application file for complete search history.

(56) **References Cited**

**U.S. PATENT DOCUMENTS**

4,411,163 A 10/1983 White  
(Continued)

**FOREIGN PATENT DOCUMENTS**

WO 2009111622 A2 9/2009

**OTHER PUBLICATIONS**

Portions of product literature catalog commercially available from Greiner Bio One at [www.gbo.com/documents/980042\\_VACUETTEkatalog\\_rev04\\_0609\\_small\\_e.pdf](http://www.gbo.com/documents/980042_VACUETTEkatalog_rev04_0609_small_e.pdf).

(Continued)

*Primary Examiner* — Anhdao Doan

(74) *Attorney, Agent, or Firm* — David M. Fortunato

(57) **CLAIM**

The ornamental design for a closure for a specimen container having an indicator surface, as shown and described.

**DESCRIPTION**

FIG. 1 is a perspective view of a closure for a specimen container having an indicator surface, shown with a collection container as environmental subject matter in accordance with the present invention;

FIG. 2 is another perspective view thereof, shown without the environment;

FIG. 3 is an enlarged fragmental cross-section view thereof taken along line 3-3 in FIG. 2;

FIG. 4 is a top view thereof;

FIG. 5 is a front view thereof, the rear view being a mirror image;

FIG. 6 is a left side view thereof, the right side view being a mirror image;

FIG. 7 is a bottom view thereof;

FIG. 8 is a perspective view of a second embodiment of a closure for a specimen container having an indicator surface, shown with a collection container as environmental subject matter in accordance with the present invention;

FIG. 9 is another perspective view thereof, shown without the environment;

FIG. 10 is an enlarged fragmental cross-section view thereof taken along line 10-10 in FIG. 9;

FIG. 11 is a top view thereof;

FIG. 12 is a front view thereof, the rear view being a mirror image;

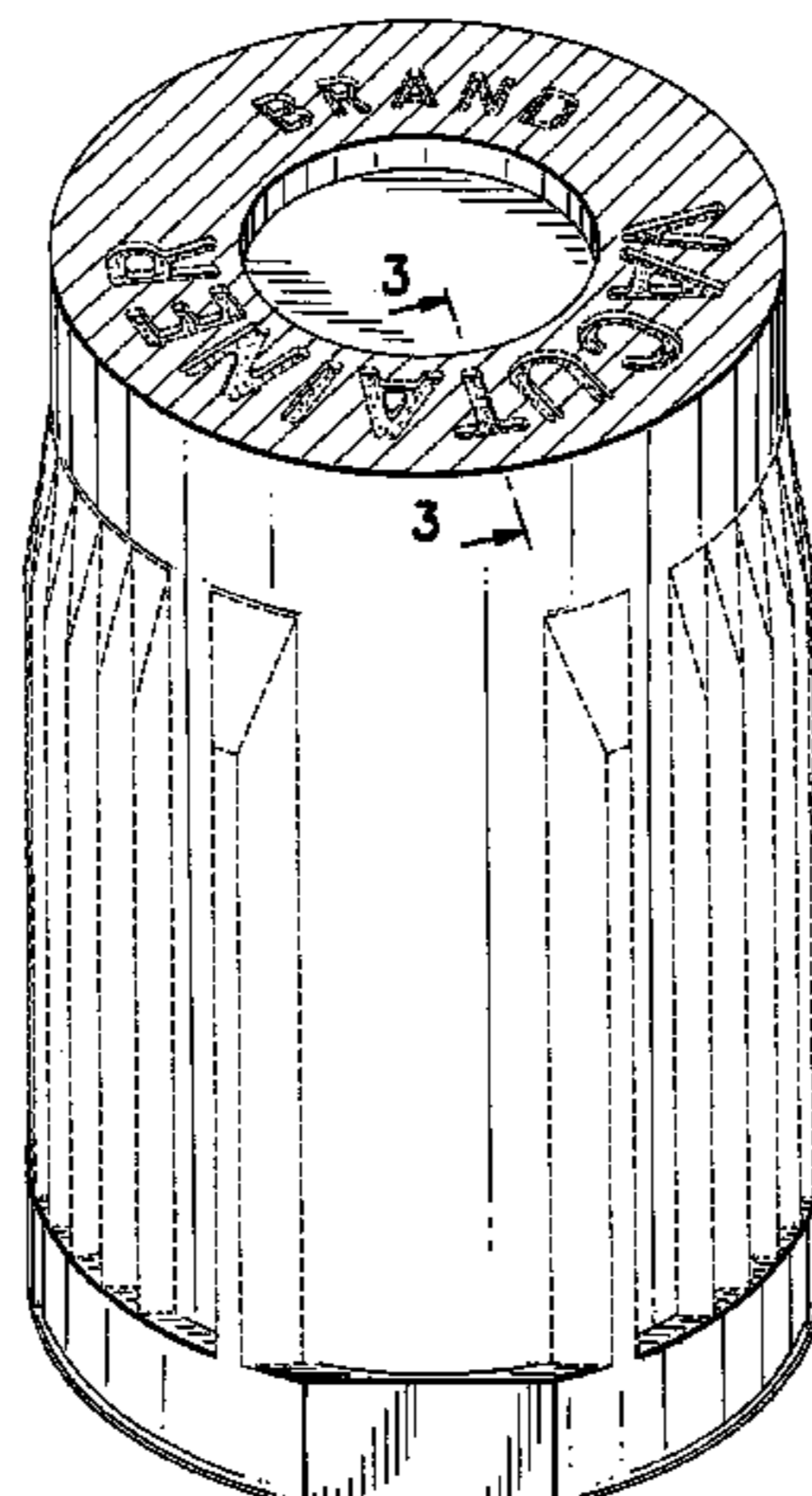
FIG. 13 is a left side view thereof, the right side view being a mirror image; and,

FIG. 14 is a bottom view thereof.

The surface shading contrast between the top surface of the closure and the surface shading visible through the indicia is intended to represent color contrast.

The broken line showing the tube in FIGS. 1 and 8 represents the environmental subject matter. All other broken lines are included for the purpose of illustrating portions of the closure that form no part of the claimed design. None of the broken lines form a part of the claimed design.

**1 Claim, 8 Drawing Sheets**



U.S. PATENT DOCUMENTS

4,576,185 A 3/1986 Proud et al.  
 D285,115 S 8/1986 Proud et al.  
 5,038,794 A 8/1991 Van Valkenburg  
 D321,456 S \* 11/1991 Wolff ..... D7/391  
 D325,170 S \* 4/1992 Frantz ..... D9/447  
 D330,660 S \* 11/1992 Newton et al. .... D9/435  
 D334,710 S \* 4/1993 Picozza ..... D9/435  
 5,288,466 A 2/1994 Burns  
 5,384,096 A 1/1995 Burns  
 D356,643 S 3/1995 Burns  
 D357,985 S 5/1995 Burns  
 5,458,113 A 10/1995 Burns  
 5,458,854 A 10/1995 Burns  
 5,494,170 A 2/1996 Burns  
 5,527,513 A 6/1996 Burns  
 5,552,117 A 9/1996 Burns  
 5,672,321 A 9/1997 Daykin  
 5,699,923 A 12/1997 Burns  
 5,711,875 A 1/1998 Kayal et al.  
 5,738,233 A 4/1998 Burns  
 D397,295 S \* 8/1998 Shelton-Ferrell ..... D9/436  
 D425,625 S 5/2000 Niermann  
 6,056,925 A 5/2000 Sarstedt  
 6,221,655 B1 4/2001 Fung et al.  
 D445,908 S \* 7/2001 Conway ..... D24/224  
 6,358,476 B1 3/2002 Innamorato et al.  
 6,426,049 B1 7/2002 Rosen et al.  
 D470,051 S \* 2/2003 Bloom et al. .... D9/435  
 6,551,267 B1 4/2003 Cohen et al.  
 6,562,300 B2 5/2003 Rosen et al.  
 6,602,206 B1 \* 8/2003 Niermann et al. .... 600/573  
 D479,997 S \* 9/2003 Ekkert et al. .... D9/452  
 D481,801 S \* 11/2003 Whitley ..... D24/224

D481,946 S \* 11/2003 Nicholson et al. .... D9/436  
 D481,948 S \* 11/2003 Brozell et al. .... D9/453  
 D489,610 S \* 5/2004 Miceli et al. .... D9/435  
 D490,707 S \* 6/2004 Mataya ..... D9/436  
 D563,785 S \* 3/2008 Maki et al. .... D9/454  
 D607,340 S \* 1/2010 Klis ..... D9/559  
 D616,746 S \* 6/2010 Stull et al. .... D9/452  
 D621,522 S \* 8/2010 Wilkinson ..... D24/224  
 2001/0020607 A1 \* 9/2001 Chiarin ..... 215/247  
 2002/0156439 A1 10/2002 Iskra  
 2009/0308184 A1 12/2009 Blekher et al.

OTHER PUBLICATIONS

Product insert commercially available from Becton, Dickinson and Company for BD Microtainer Chemistry Tubes.  
 Product insert commercially available from Becton, Dickinson and Company for BD Capillary Collection, 2004.  
 Product insert commercially available from Becton, Dickinson and Company for BD Microtainer Plasma Separator Tube, 2000.  
 Product insert commercially available from Becton, Dickinson and Company for BD Microtainer Tubes with BD Microgard Closure, 2003.  
 Product insert commercially available from Becton, Dickinson and Company for BD Microtainer Tubes with Microgard Closure—Tube Guide and Order of Draw, 2003.  
 Product insert commercially available from Becton, Dickinson and Company for BD Microtainer Tubes—Tube Guide and Order of Draw, 2003.  
 Product insert commercially available from Terumo for Venosafe.  
 Product Literature commercially available from Greiner Bio One at [www.gbo.com/documents/V01\\_Tube\\_Guide\\_000502\\_e.pdf](http://www.gbo.com/documents/V01_Tube_Guide_000502_e.pdf).

\* cited by examiner

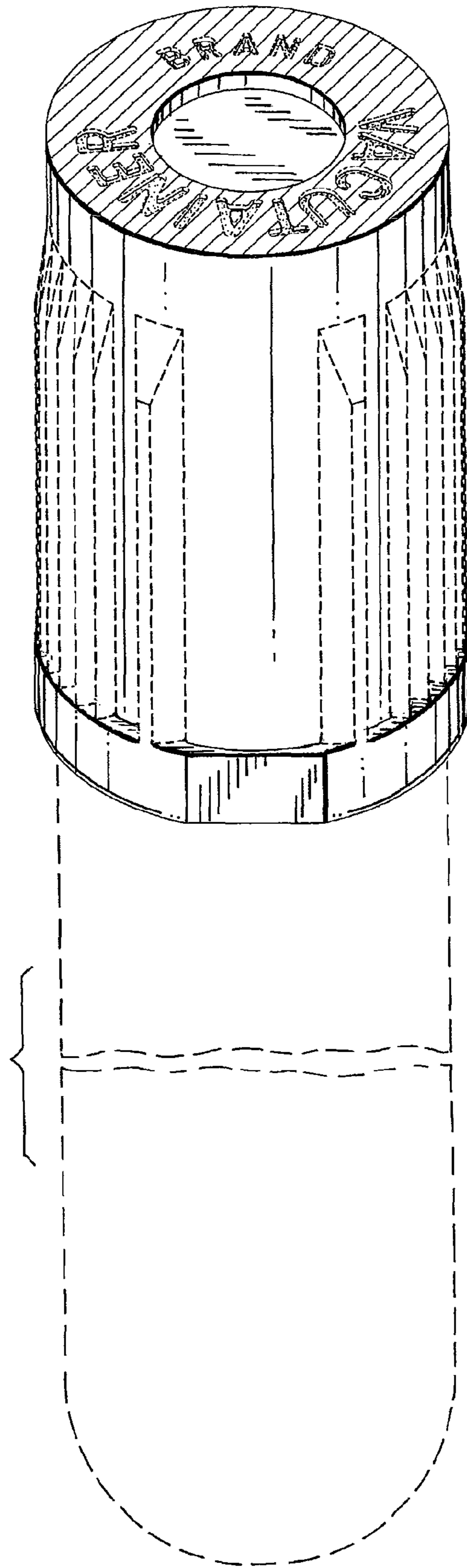


FIG. 1

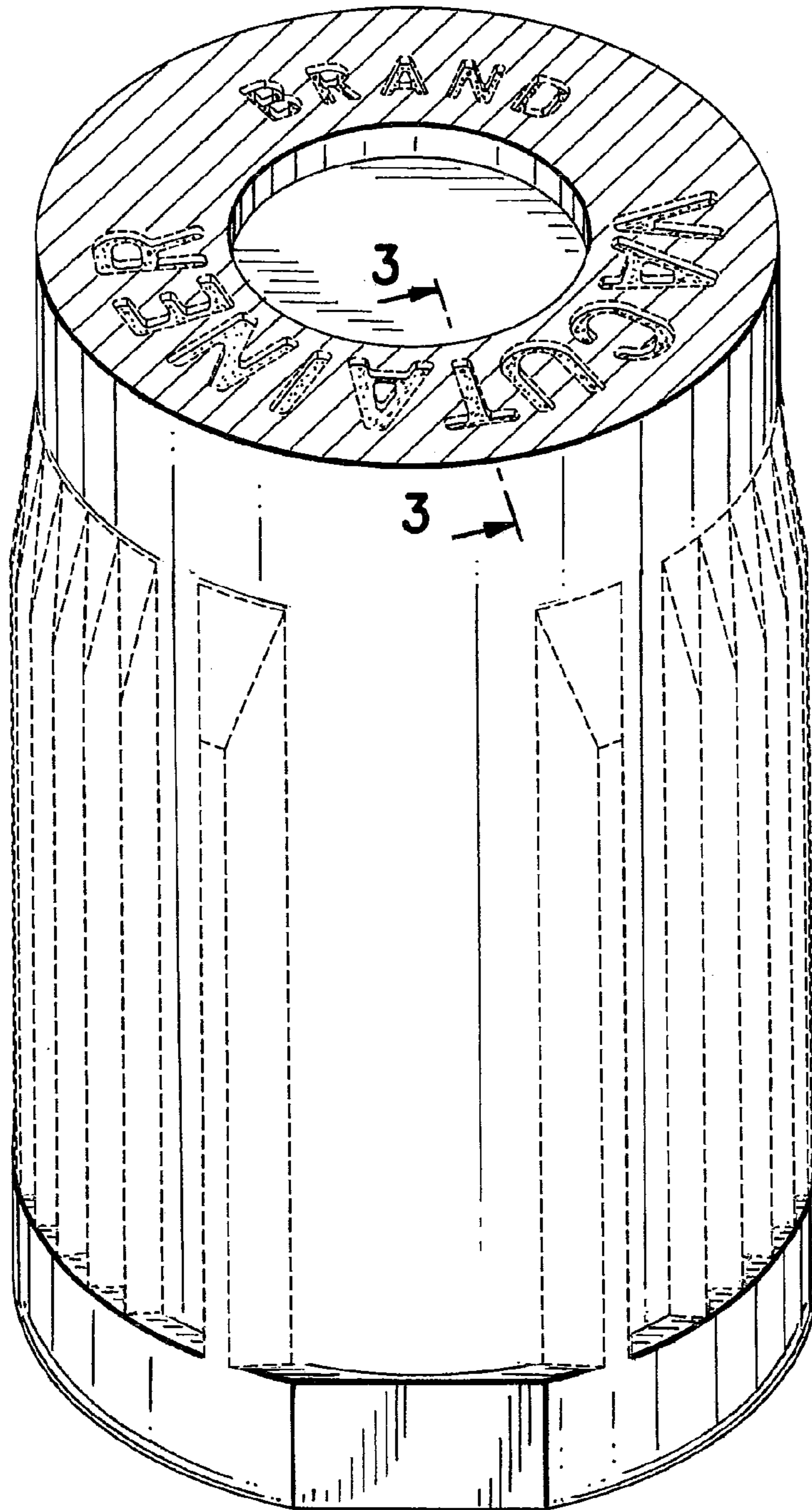


FIG. 2

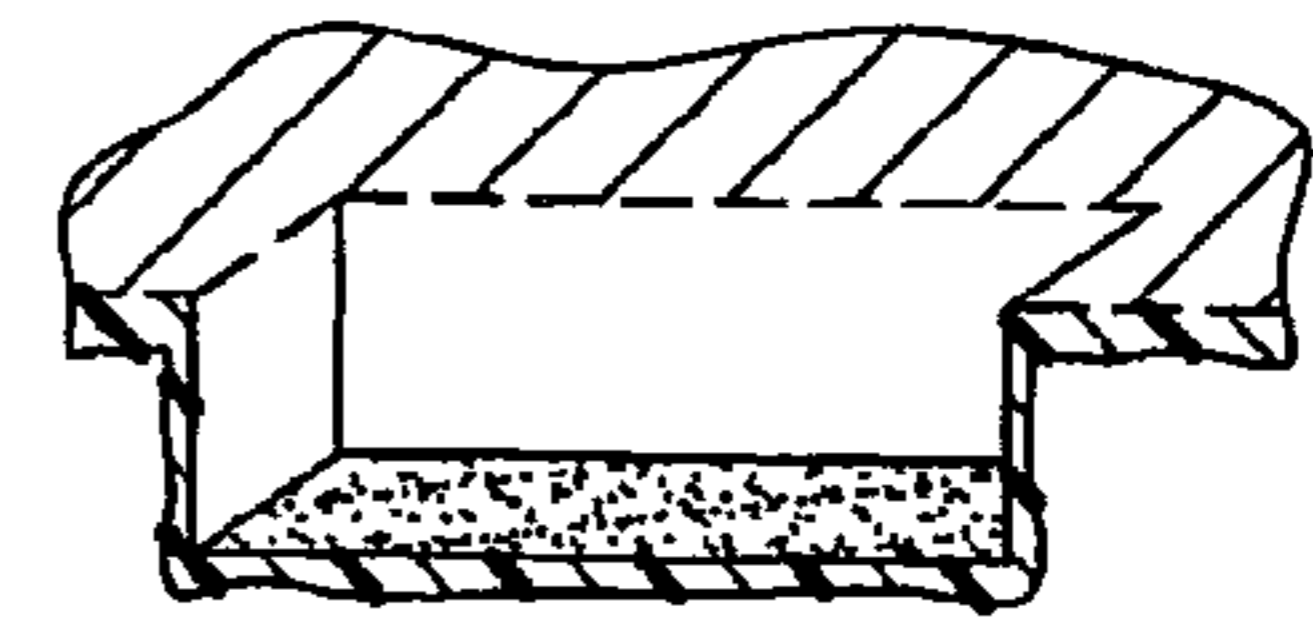


FIG. 3

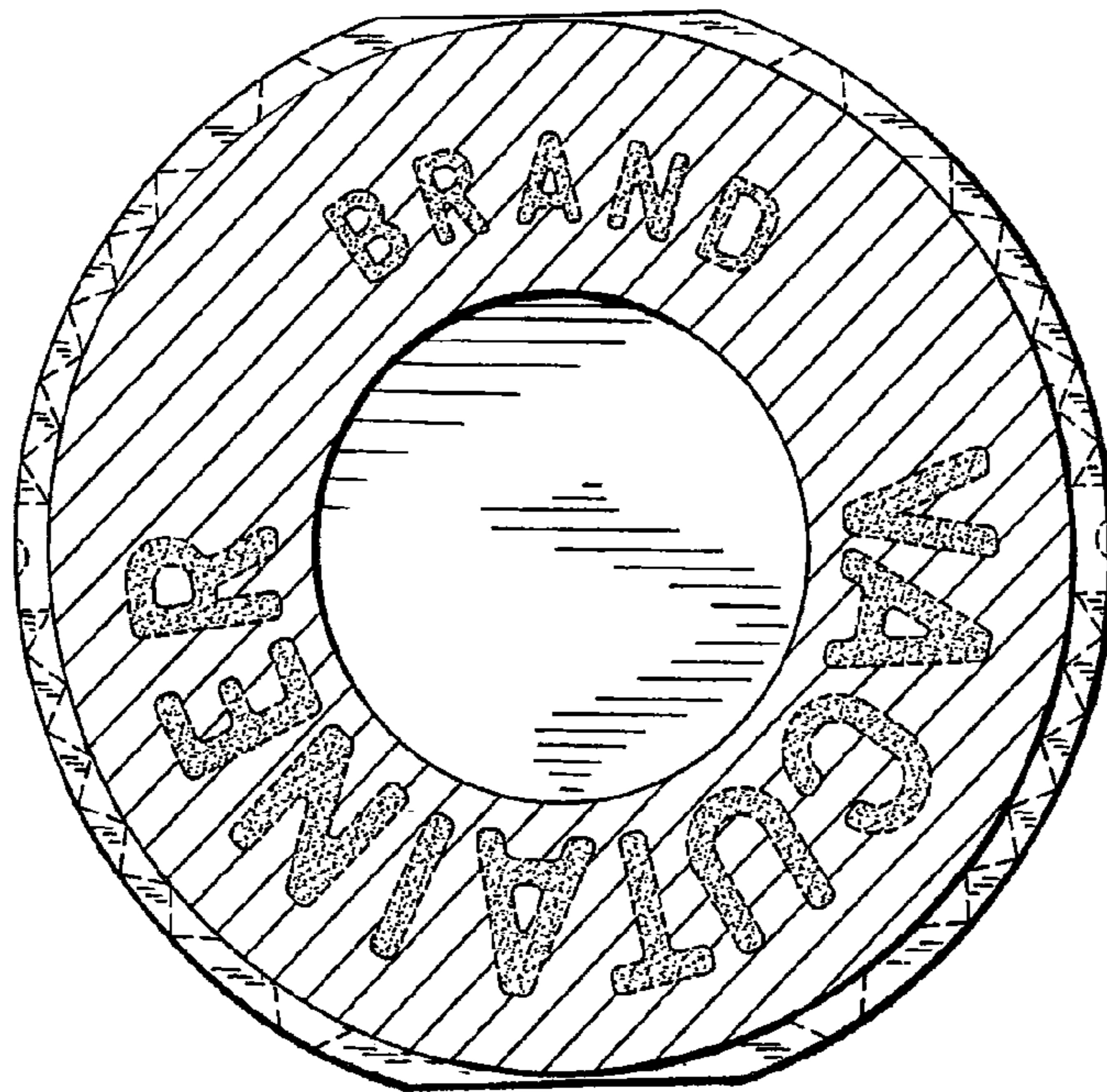


FIG. 4

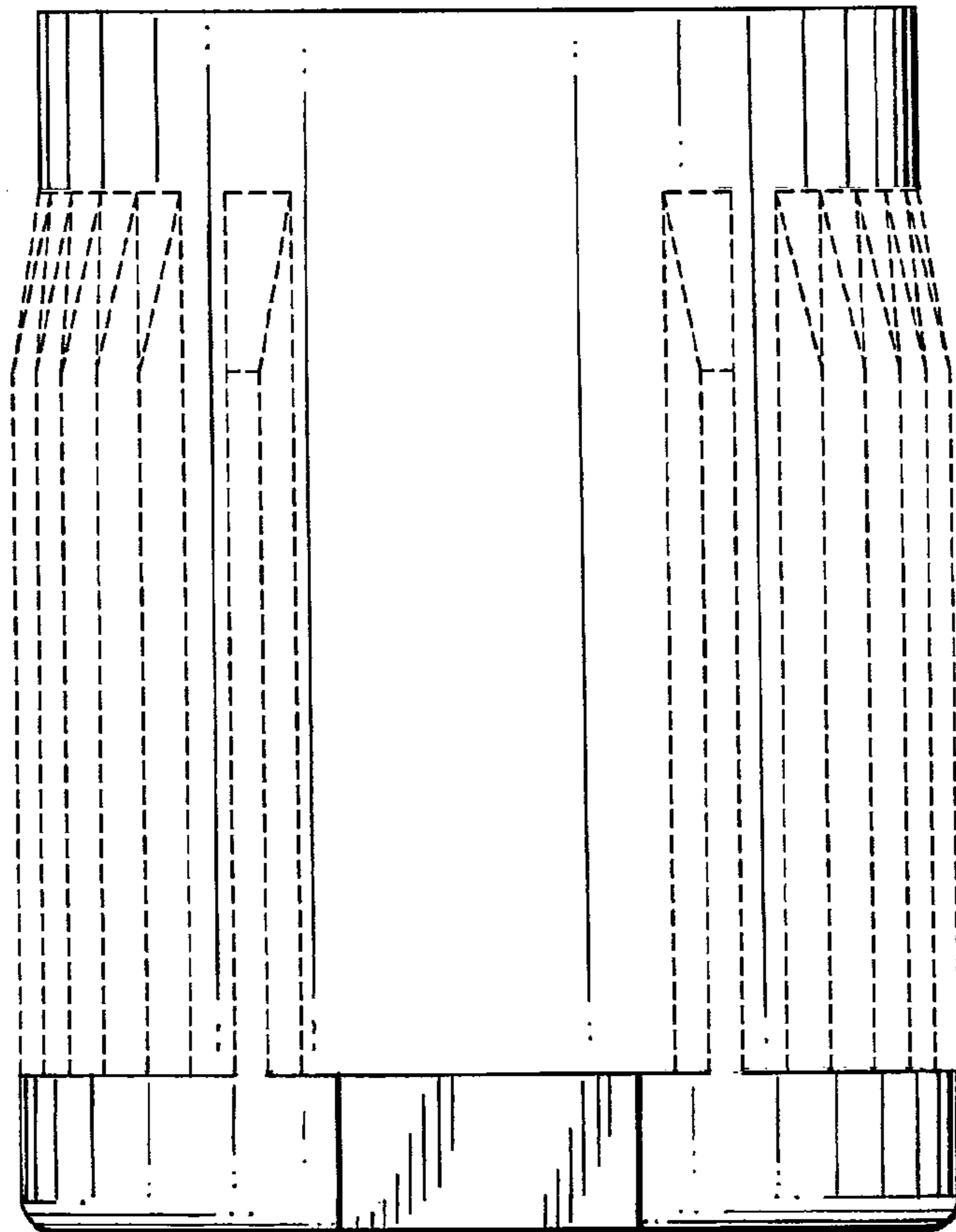


FIG. 5

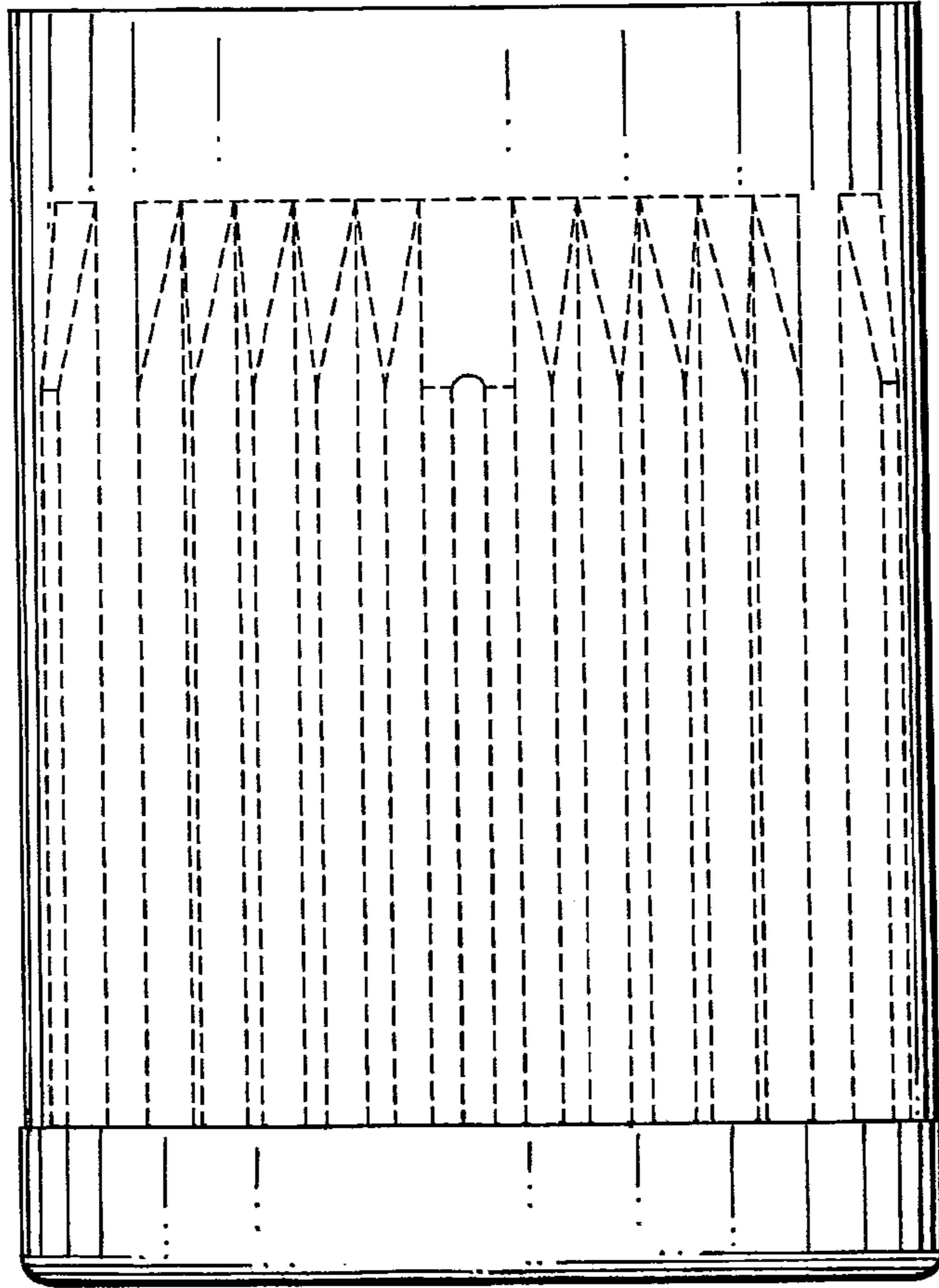


FIG. 6

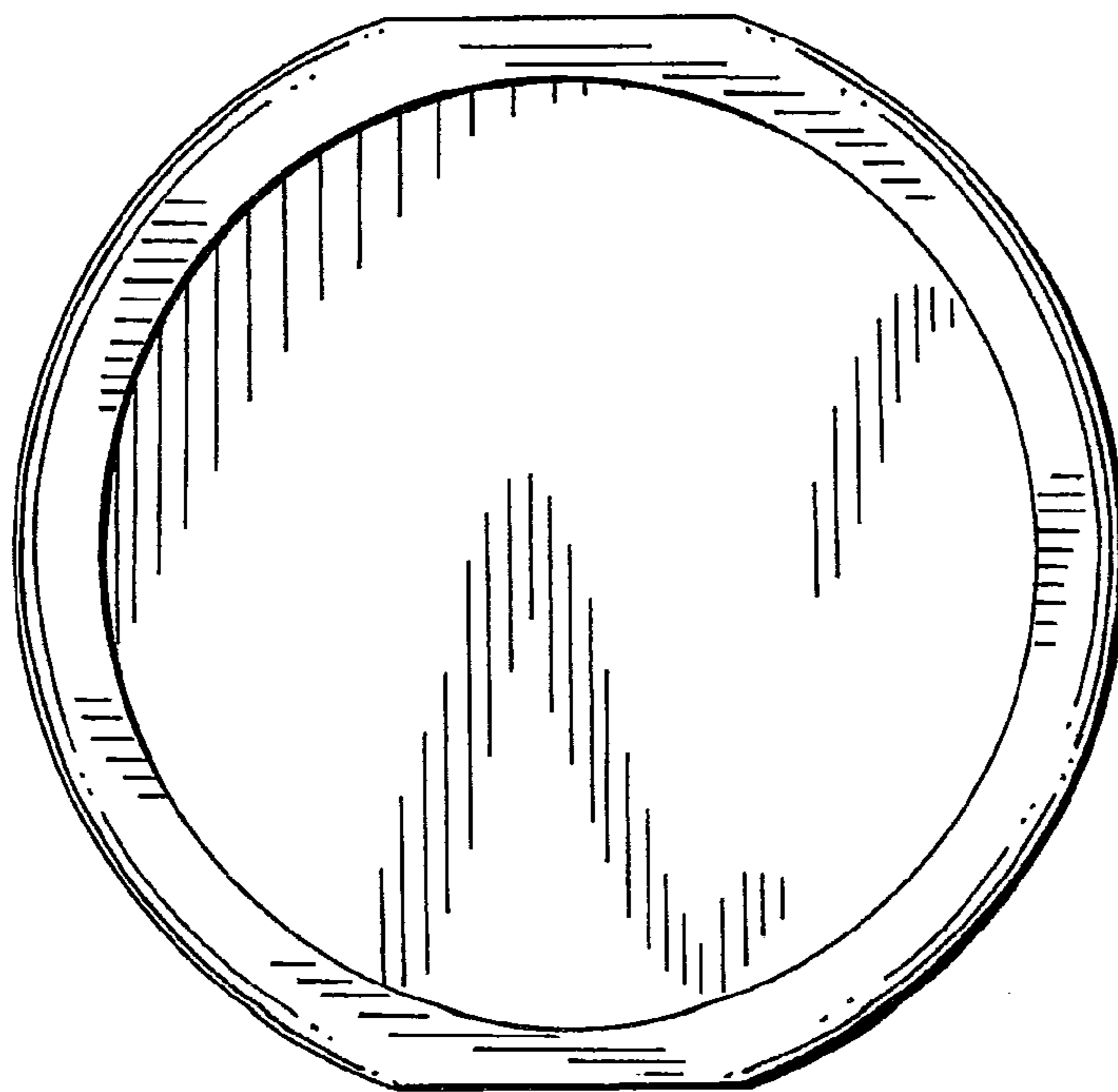


FIG. 7

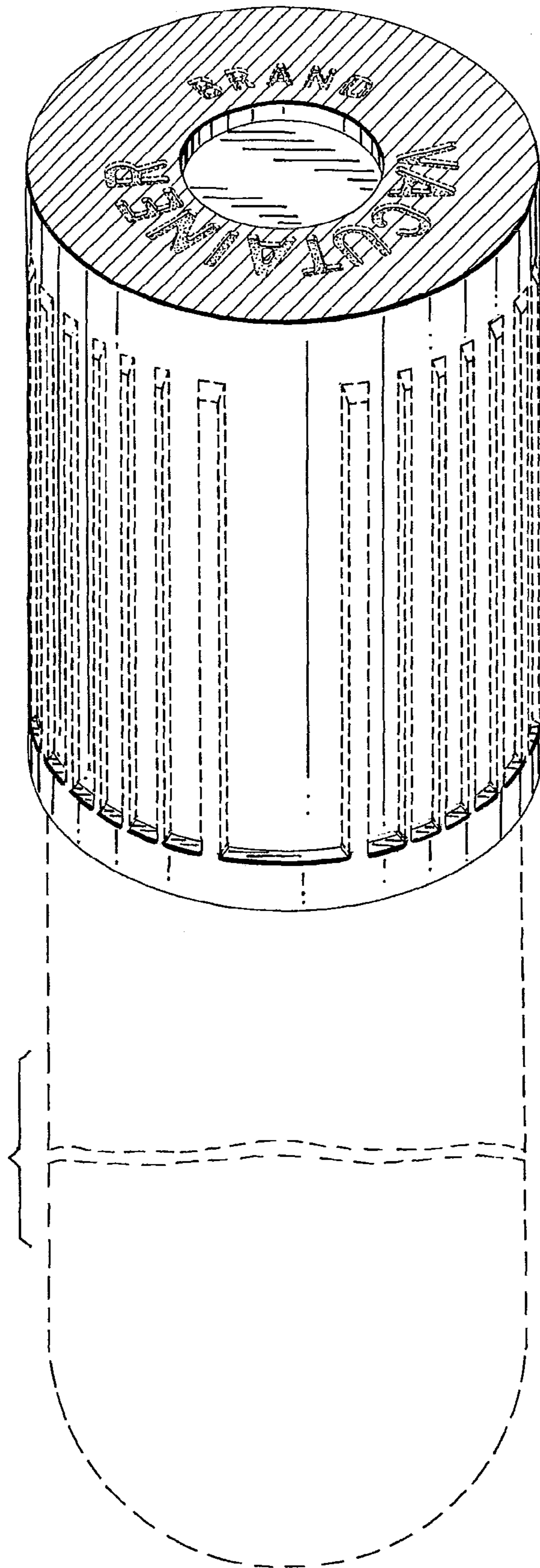


FIG.8

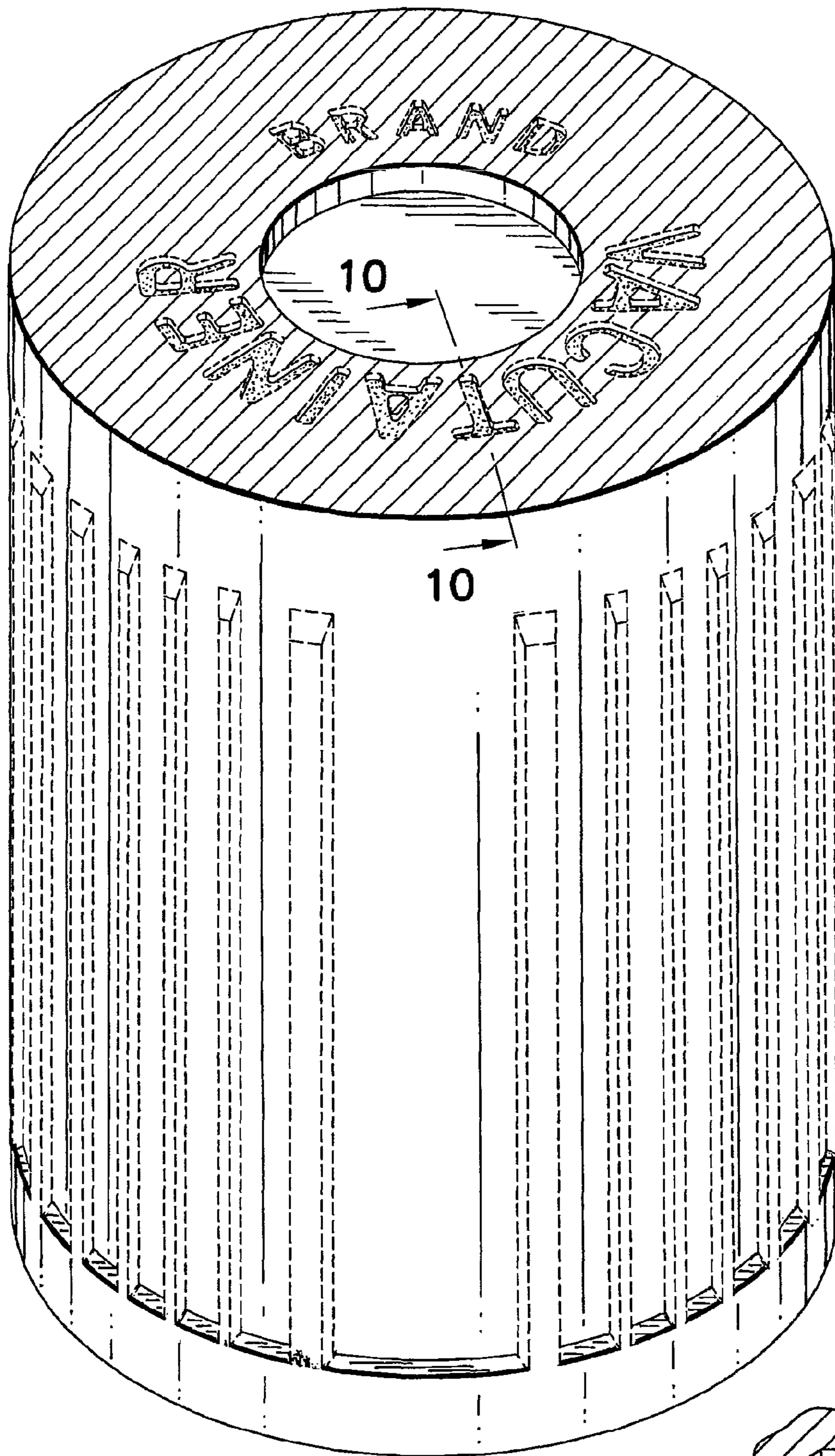


FIG. 9

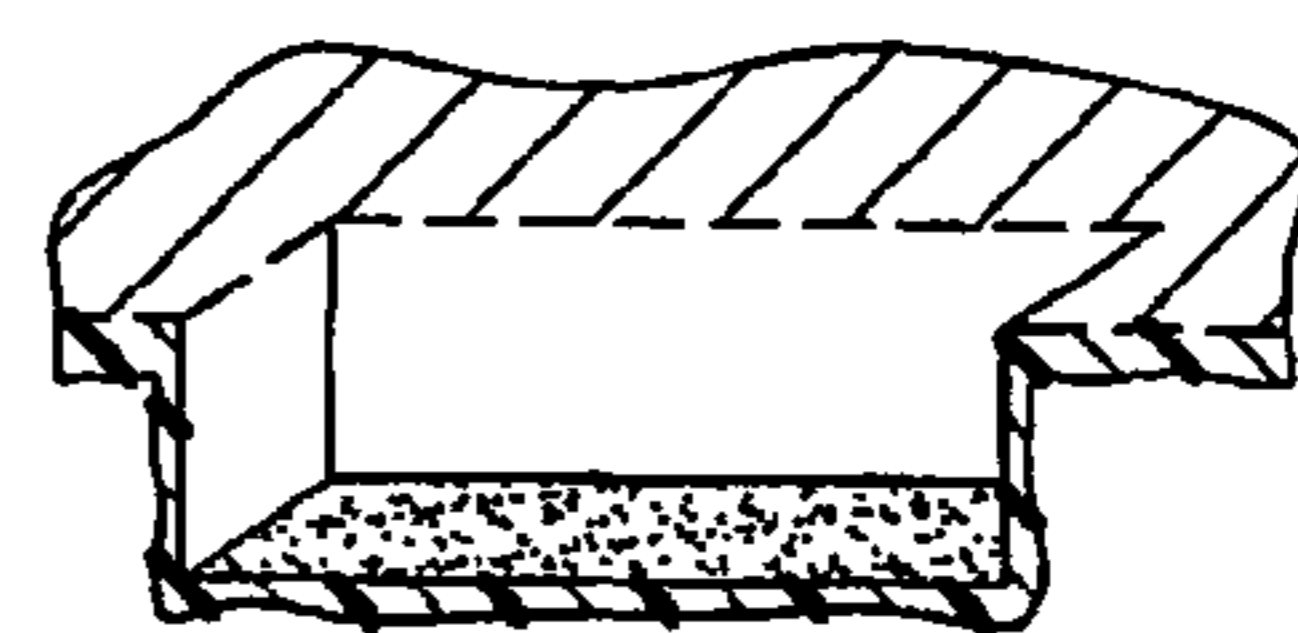


FIG. 10



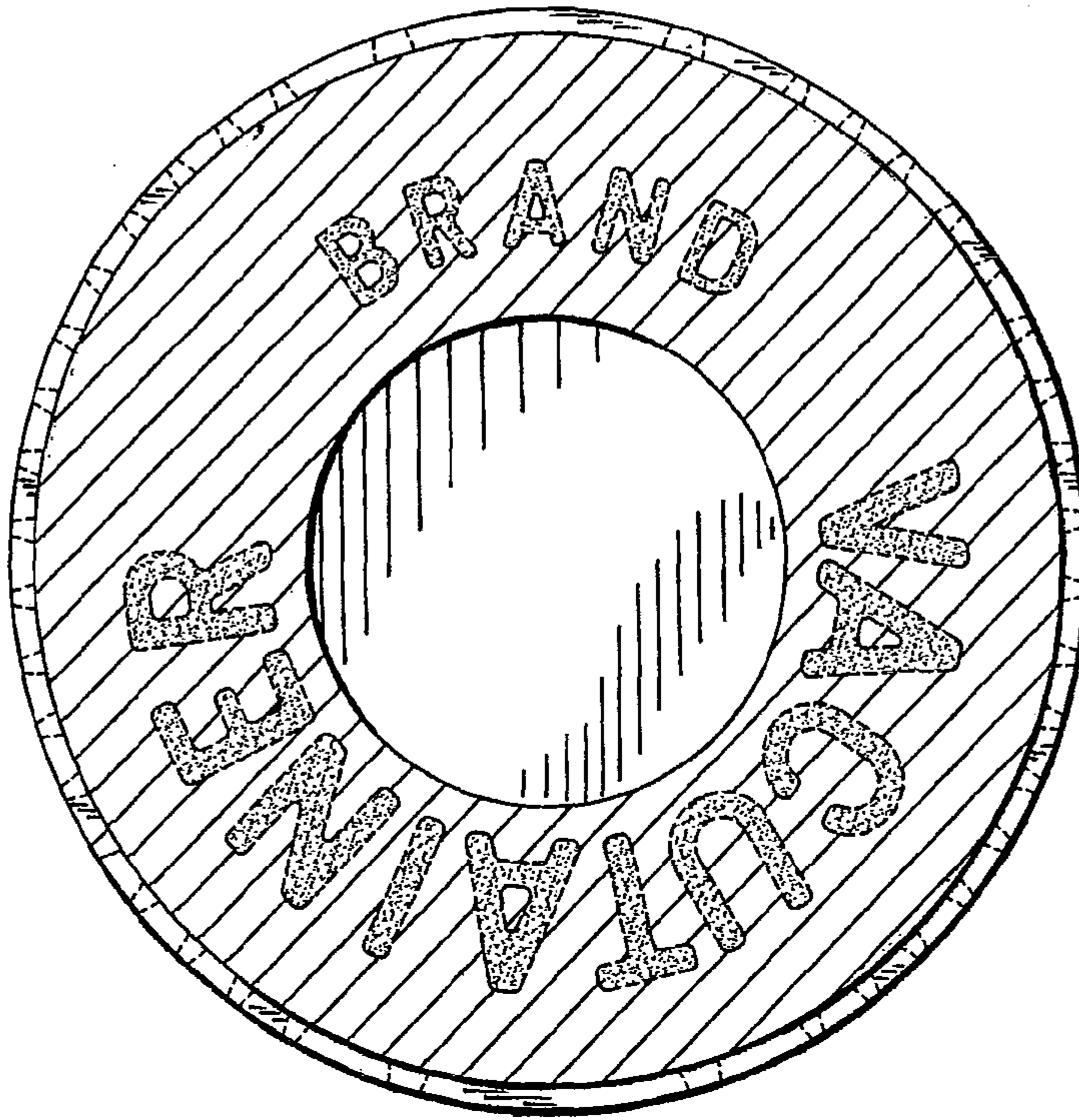


FIG. 11

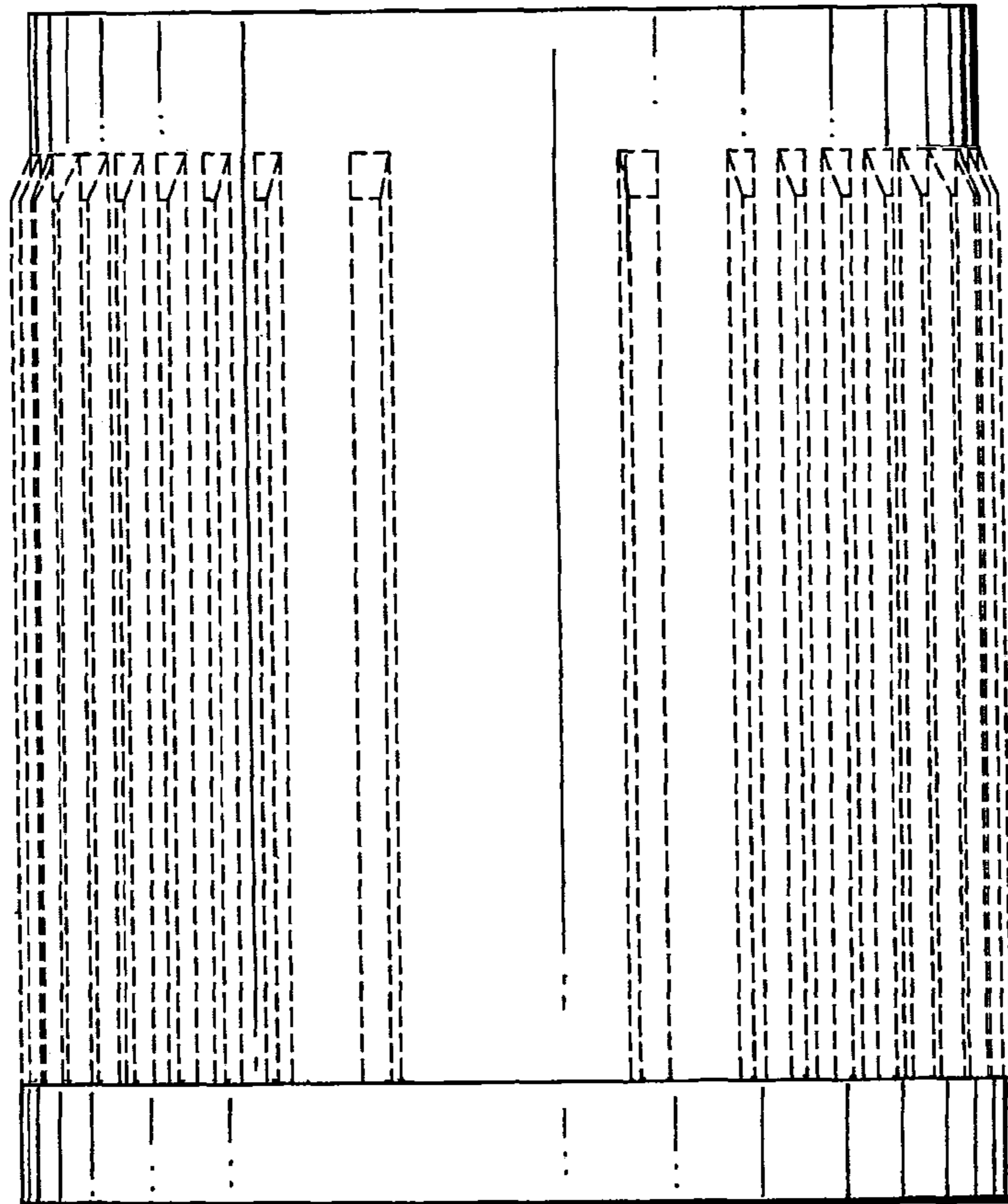


FIG. 12

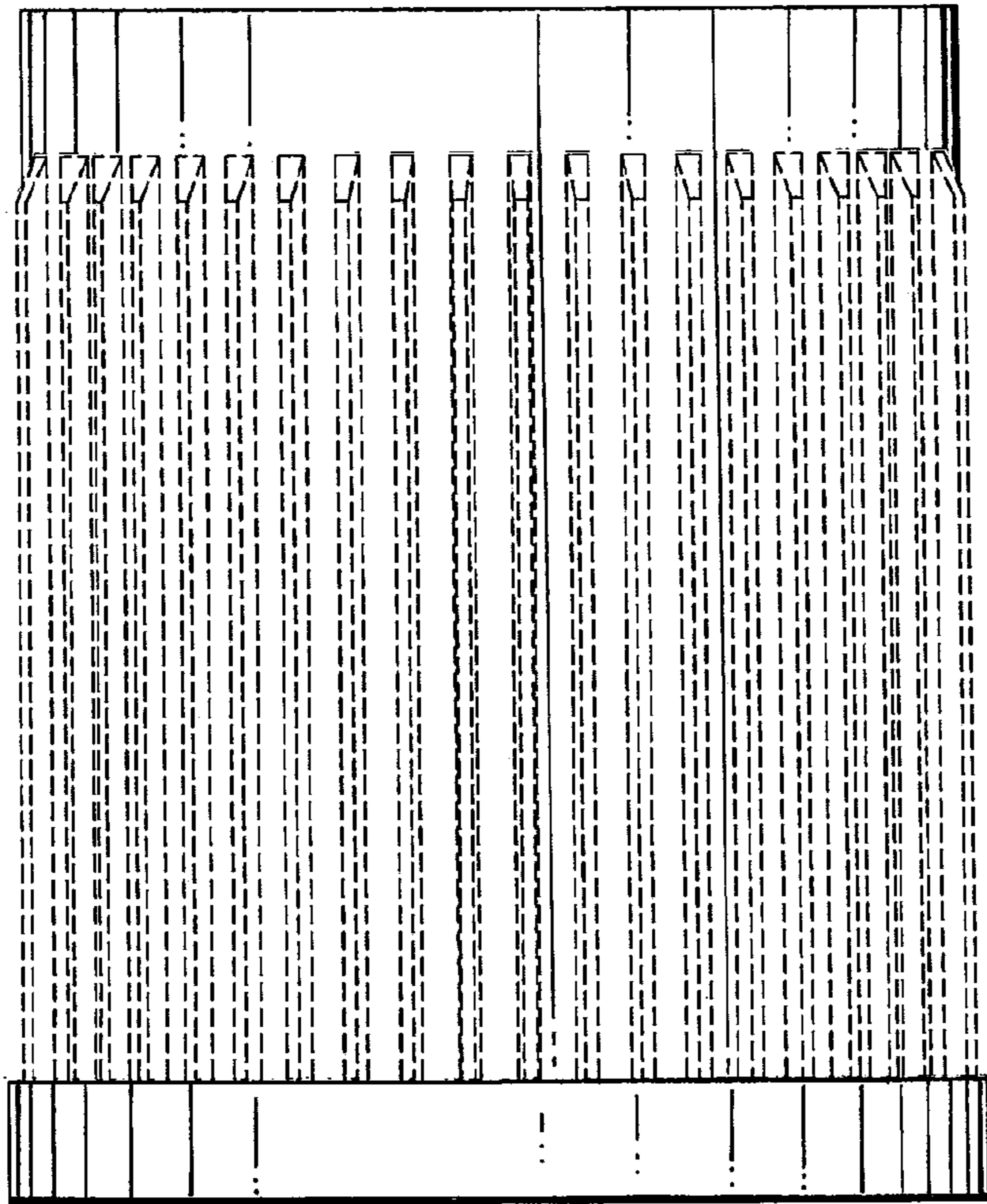


FIG. 13

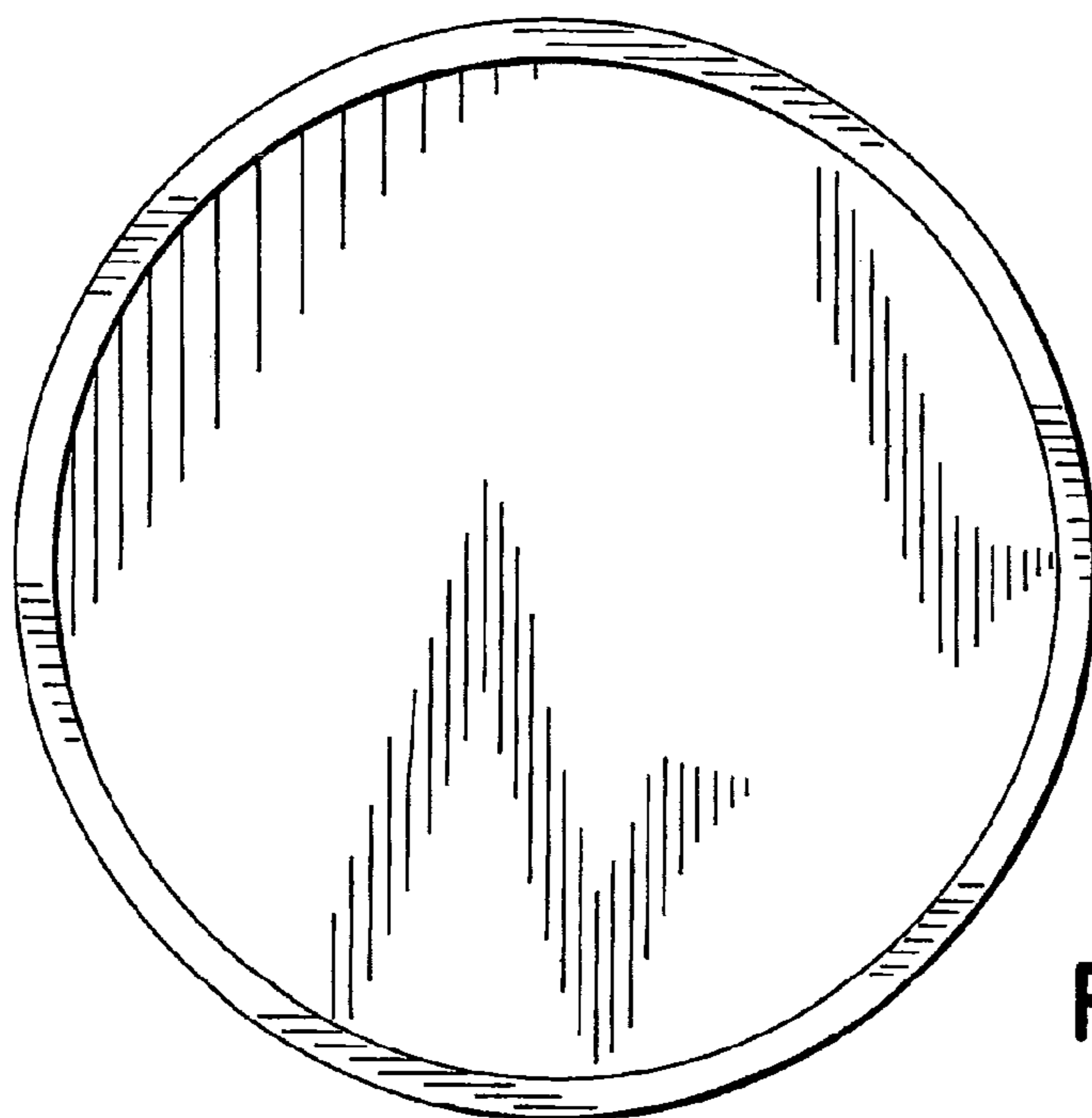


FIG. 14