



US00D662211S

(12) **United States Design Patent**
Howe

(10) **Patent No.:** **US D662,211 S**
(45) **Date of Patent:** **** Jun. 19, 2012**

- (54) **DRY HYDROTHERAPY BED**
- (76) Inventor: **Todd Howe**, Ft. Collins, CO (US)
- (**) Term: **14 Years**
- (21) Appl. No.: **29/366,794**
- (22) Filed: **Jul. 29, 2010**
- (51) **LOC (9) Cl.** **28-03**
- (52) **U.S. Cl.** **D24/201**
- (58) **Field of Classification Search** D24/201,
D24/204, 205; D23/277, 278, 276, 280.1–280.3;
601/154–158, 55, 146; 4/541.1–541.6, 547,
4/578.1, 579; 5/665–688; D6/382, 336;
D21/520

See application file for complete search history.

(56) **References Cited**

U.S. PATENT DOCUMENTS

3,722,012	A *	3/1973	Tobinick et al.	5/665
D250,860	S *	1/1979	Castro	D6/336
4,133,305	A *	1/1979	Steuer	601/55
4,192,031	A *	3/1980	Fogel	5/683
4,244,065	A *	1/1981	Hartwell	5/680
4,662,010	A *	5/1987	Silberling	5/686
4,745,648	A *	5/1988	Viesturs	5/678
D426,033	S *	5/2000	Rooks	D6/382

7,311,683	B2 *	12/2007	Turell et al.	601/55
D600,356	S *	9/2009	Ton	D24/204
D602,163	S *	10/2009	Ton	D24/204
D613,869	S *	4/2010	Ton	D24/204
D646,500	S *	10/2011	Szekely	D6/382

* cited by examiner

Primary Examiner — David Muller

(74) *Attorney, Agent, or Firm* — Rosenthal Pauerstein Sandoloski Agather LLP; William H. Quirk; Danial A. Rogers

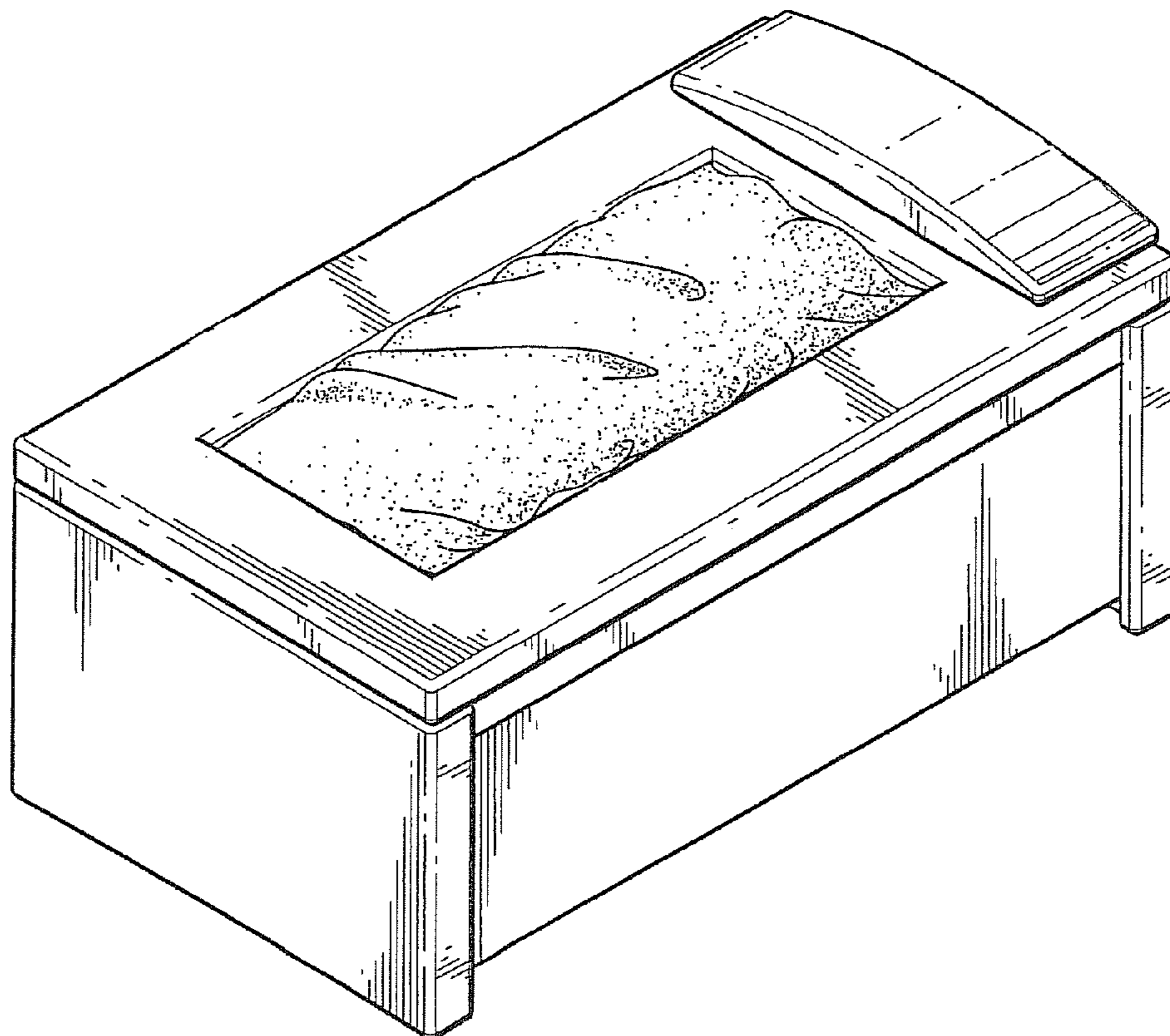
(57) **CLAIM**

The ornamental design for a dry hydrotherapy bed, as shown and described.

DESCRIPTION

FIG. 1 is a frontal perspective view of the dry hydrotherapy therapy bed, showing my new design.
 FIG. 2 is a rear perspective view thereof;
 FIG. 3 is a left side elevation view thereof;
 FIG. 4 is a right side elevation view thereof;
 FIG. 5 is a top plan view thereof;
 FIG. 6 is a bottom plan view thereof;
 FIG. 7 is an end elevation view thereof; and,
 FIG. 8 is an opposite end elevation view thereof.

1 Claim, 6 Drawing Sheets



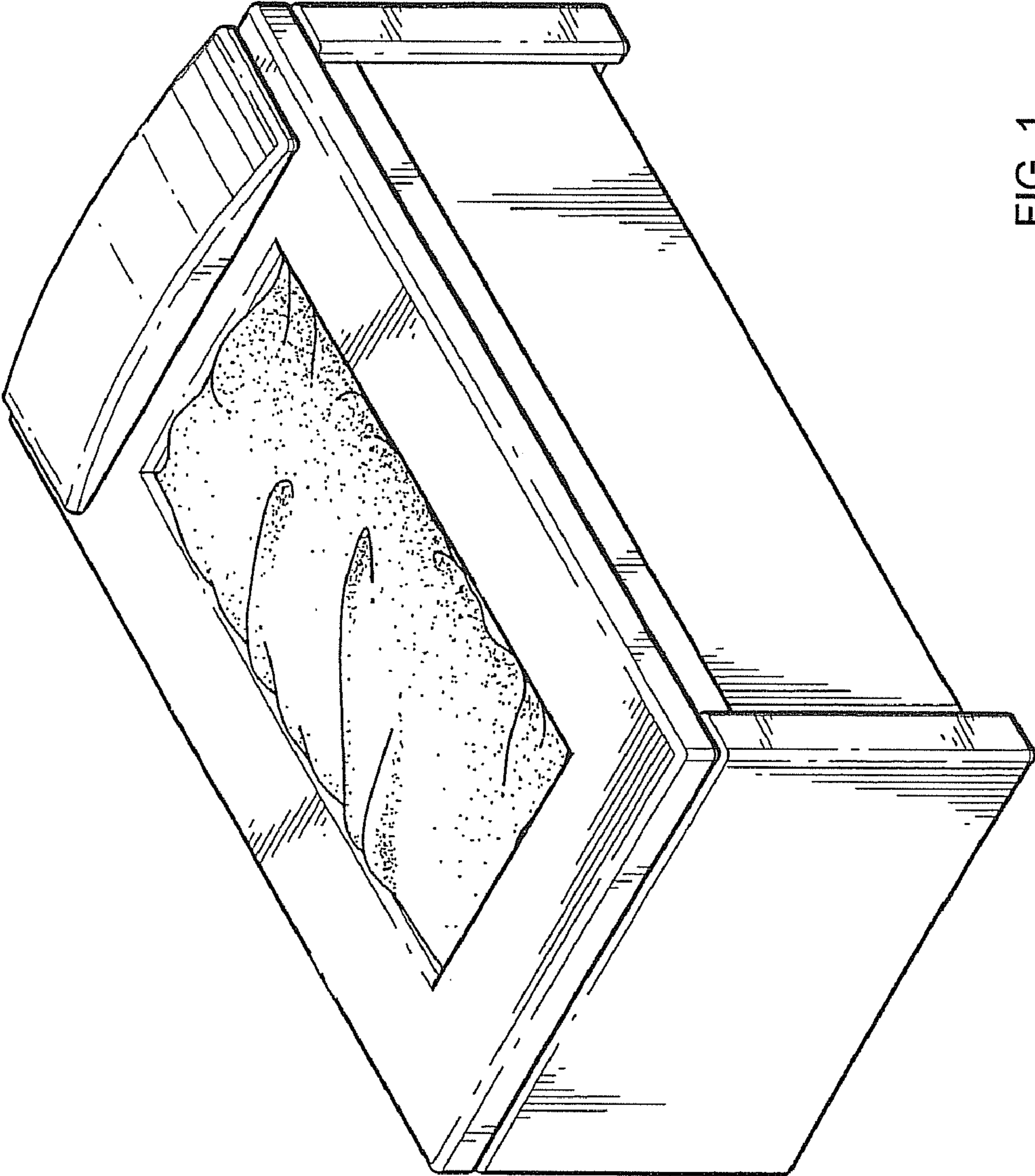


FIG. 1

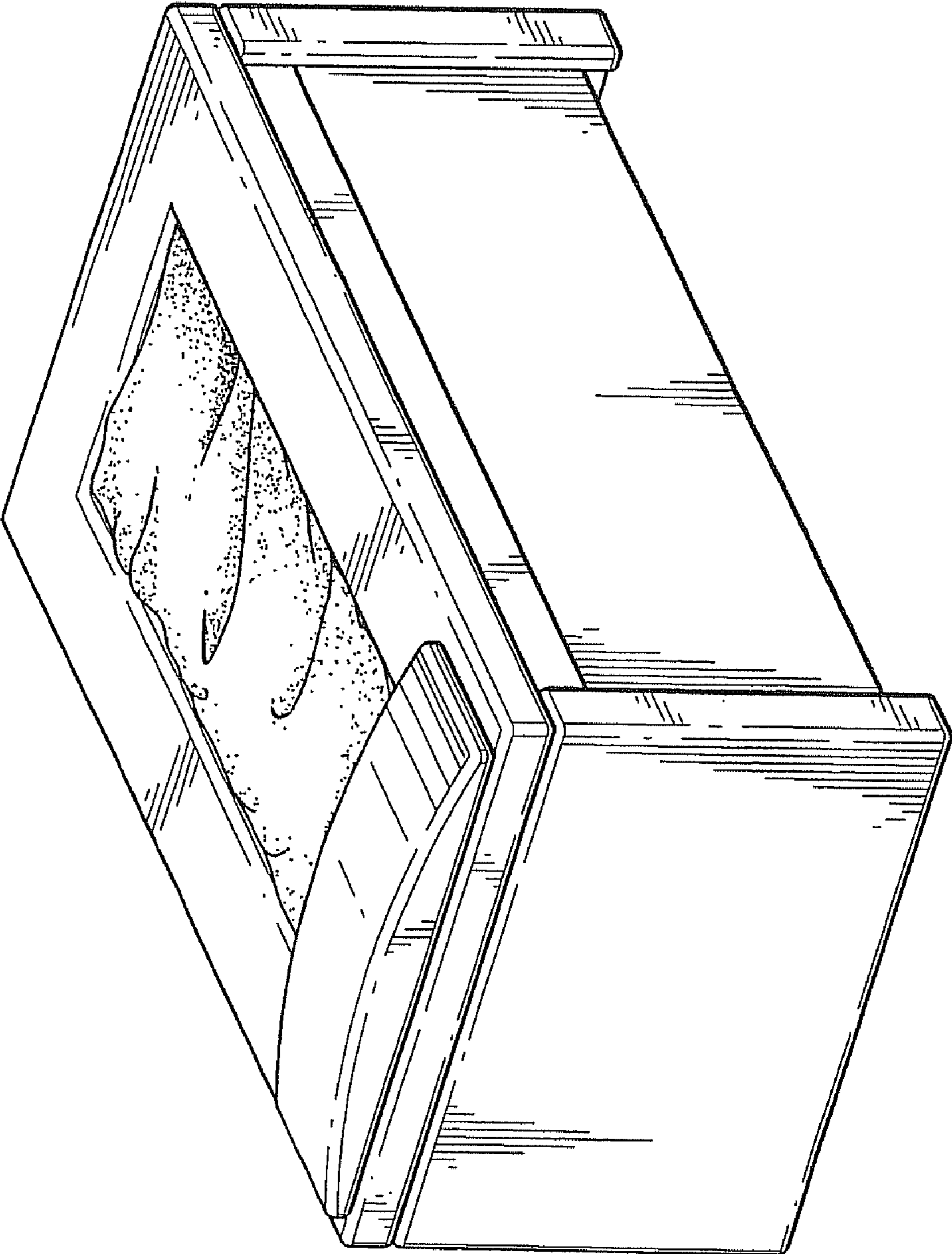


FIG. 2

FIG. 3

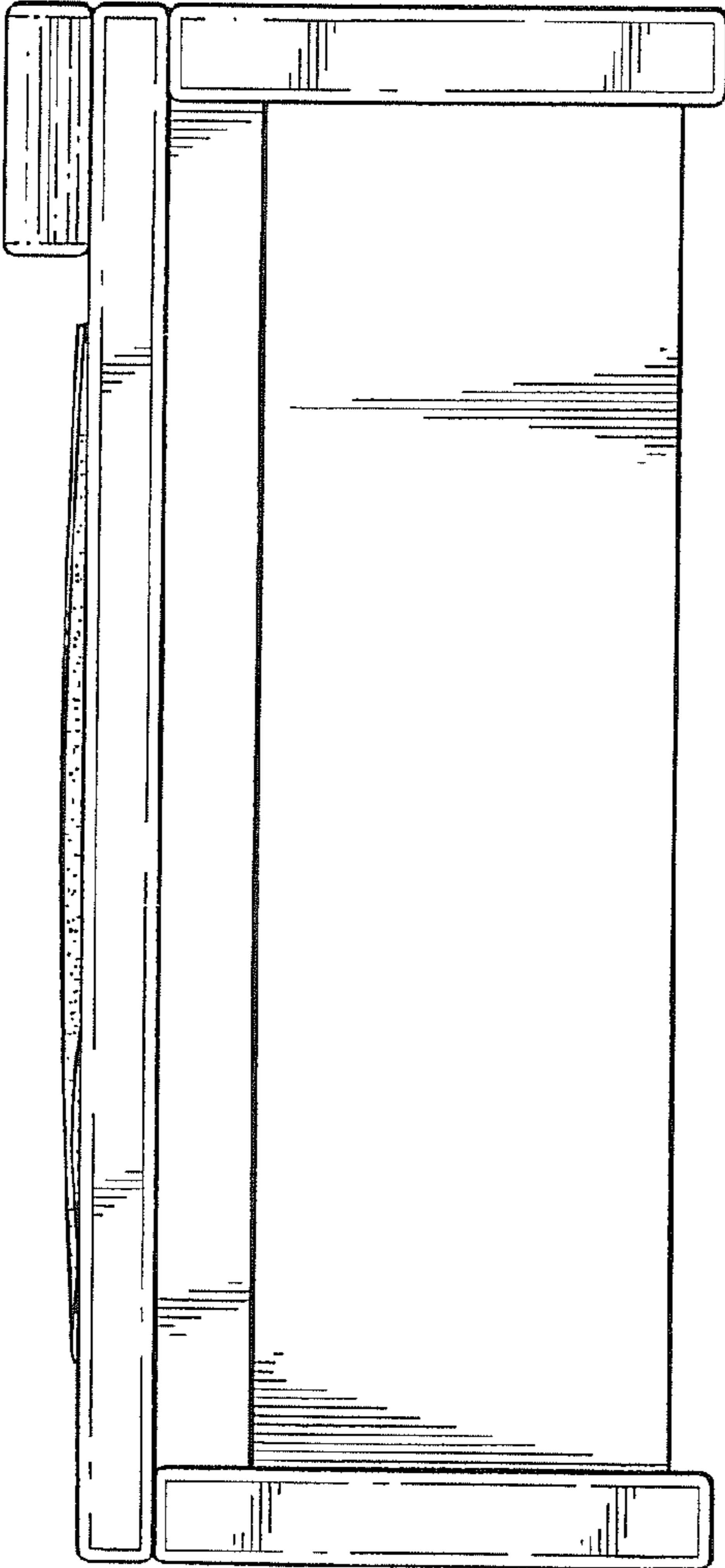
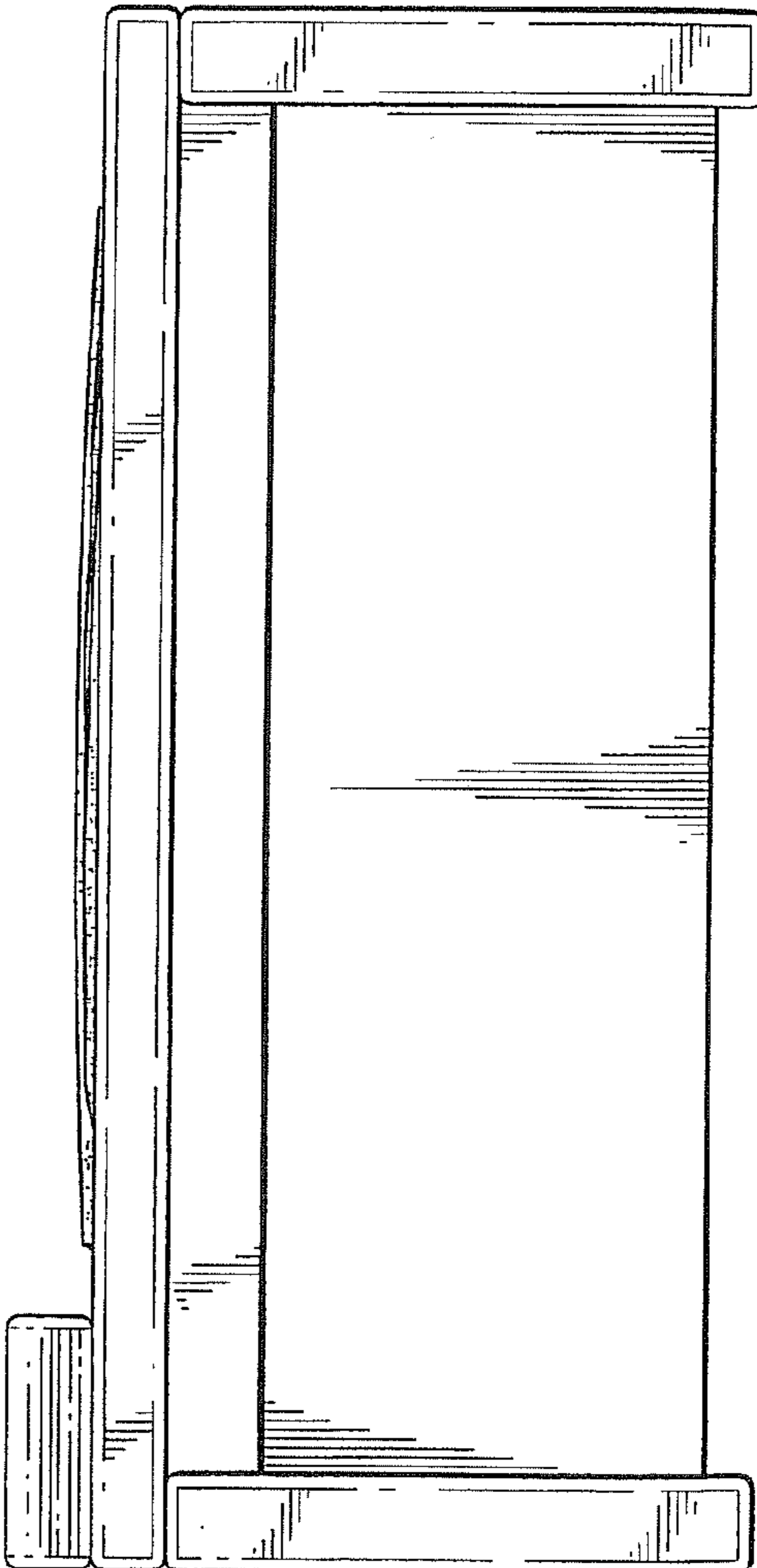


FIG. 4



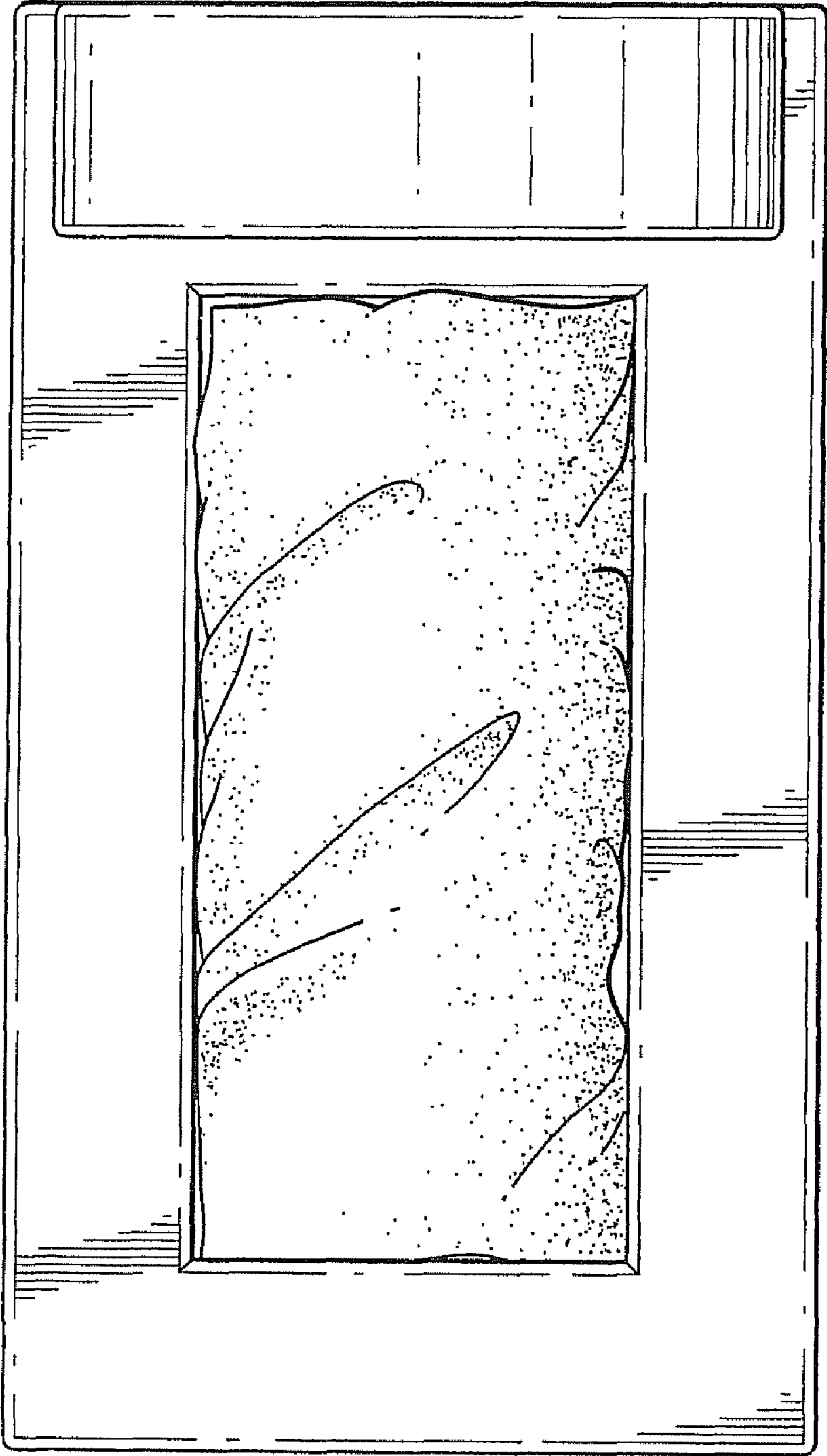


FIG. 5

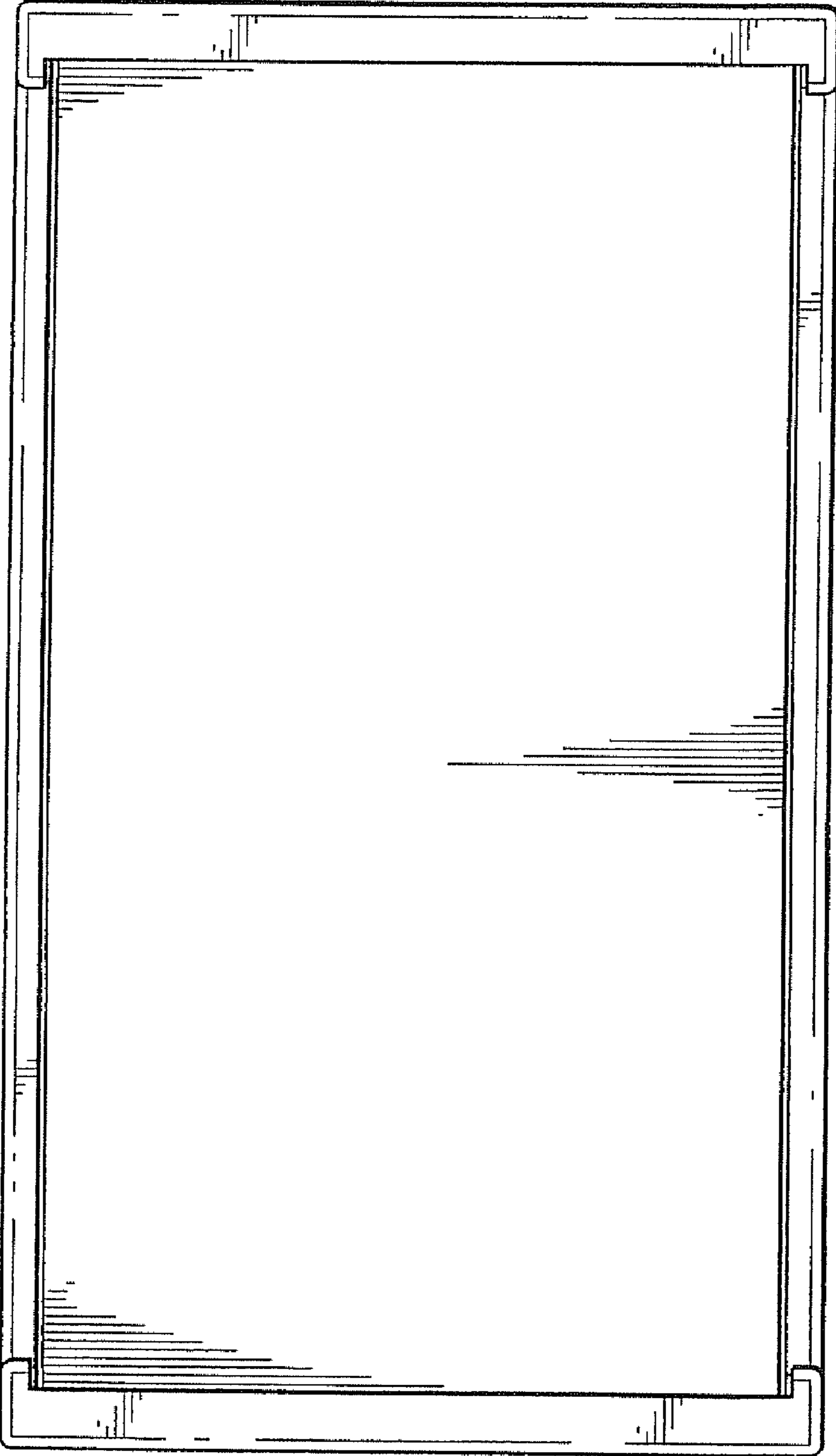


FIG. 6

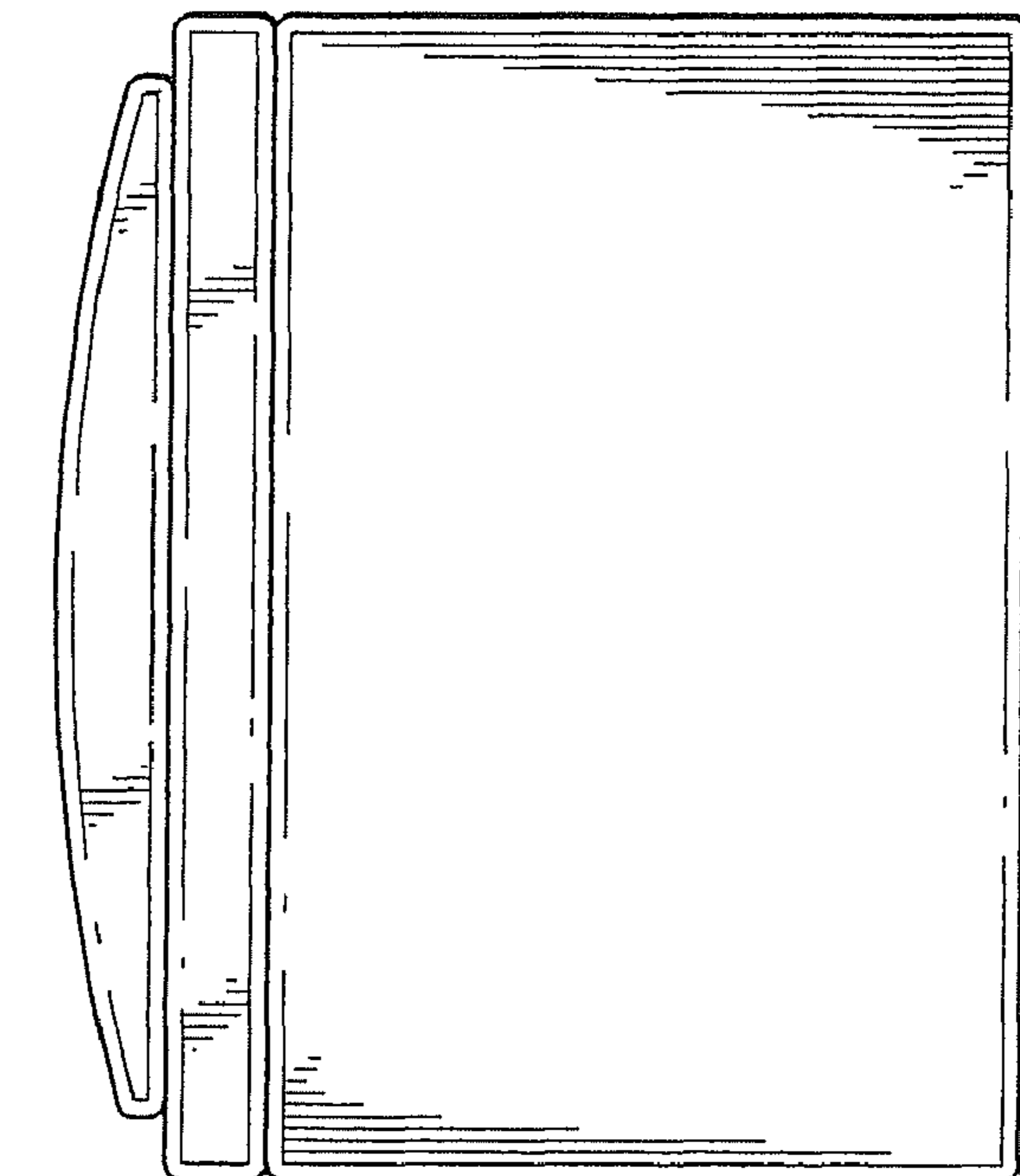


FIG. 8

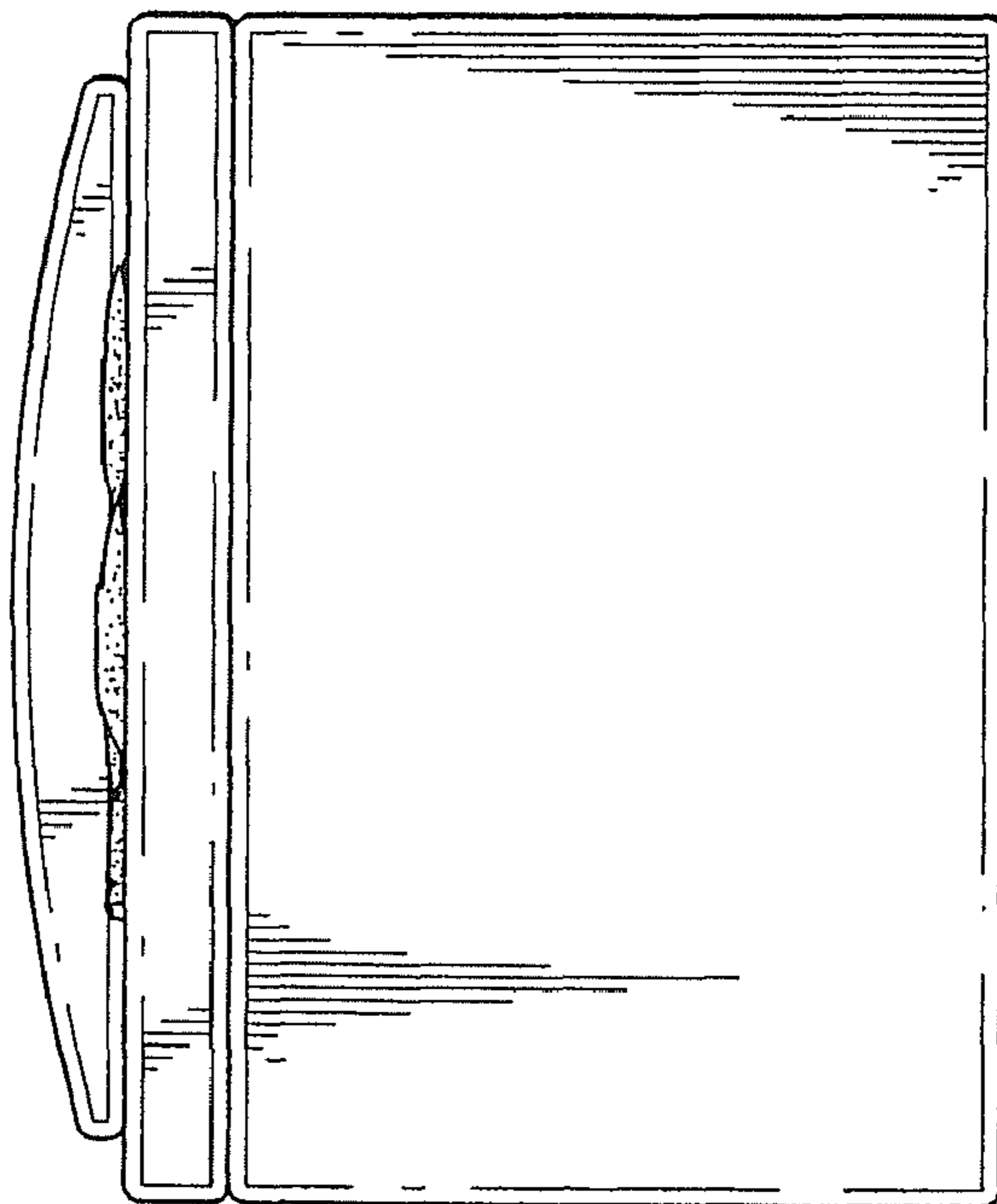


FIG. 7