

US00D662208S

(12) **United States Design Patent**
Otoha et al.

(10) **Patent No.:** **US D662,208 S**
(45) **Date of Patent:** **** *Jun. 19, 2012**

(54) **ULTRASONIC DIAGNOSIS DEVICE**

(75) Inventors: **Shigeru Otoha**, Tokyo (JP); **Atsunobu Banryu**, Funabashi (JP)

(73) Assignees: **Kabushiki Kaisha Toshiba**, Minato-ku, Tokyo (JP); **Toshiba Medical Systems Corporation**, Otawara-shi, Tochigi-ken (JP)

(*) Notice: This patent is subject to a terminal disclaimer.

(**) Term: **14 Years**

(21) Appl. No.: **29/399,950**

(22) Filed: **Aug. 22, 2011**

(30) **Foreign Application Priority Data**

May 18, 2011 (JP) 2011-011087

(51) **LOC (9) Cl.** **24-01**

(52) **U.S. Cl.** **D24/185**

(58) **Field of Classification Search** D24/158-161;
378/4, 15, 17, 20, 21, 23-27, 62, 68, 146;
128/916, 922; 600/437, 440, 442, 443

See application file for complete search history.

(56) **References Cited**

U.S. PATENT DOCUMENTS

D318,919 S *	8/1991	Takaki et al.	D24/186
D354,353 S *	1/1995	Ishizuka et al.	D24/160
D360,690 S *	7/1995	Murakami	D24/186
D365,148 S *	12/1995	Murakami et al.	D24/160
D379,231 S *	5/1997	Ungari	D24/160
D394,712 S *	5/1998	Henderson et al.	D24/160
D398,059 S *	9/1998	Kwak	D24/160
5,941,824 A *	8/1999	Hwang	600/437
D480,810 S *	10/2003	Gumisawa	D24/158
6,669,639 B1 *	12/2003	Miller et al.	600/443

D512,508 S *	12/2005	Mesaros	D24/185
D529,611 S *	10/2006	Gumisawa et al.	D24/158
D560,807 S *	1/2008	Kitayama et al.	D24/158
D571,011 S *	6/2008	Otoha et al.	D24/158
D606,202 S *	12/2009	Banryu	D24/185
D626,236 S *	10/2010	Ninomiya et al.	D24/185
D630,752 S *	1/2011	Suzuki	D24/158
D650,482 S *	12/2011	Kim et al.	D24/158

FOREIGN PATENT DOCUMENTS

CN	ZL2006300188939.4	7/2007
JP	1400868	11/2010
KR	30-0572386	9/2010

OTHER PUBLICATIONS

Extract of Nikkei Sangyo Shimbun (Newspaper), Showing a Ultrasonic Diagnosis Device (Logic E9).

* cited by examiner

Primary Examiner — T. Chase Nelson

Assistant Examiner — Mark Cavanna

(74) *Attorney, Agent, or Firm* — Banner & Witcoff, Ltd

(57) **CLAIM**

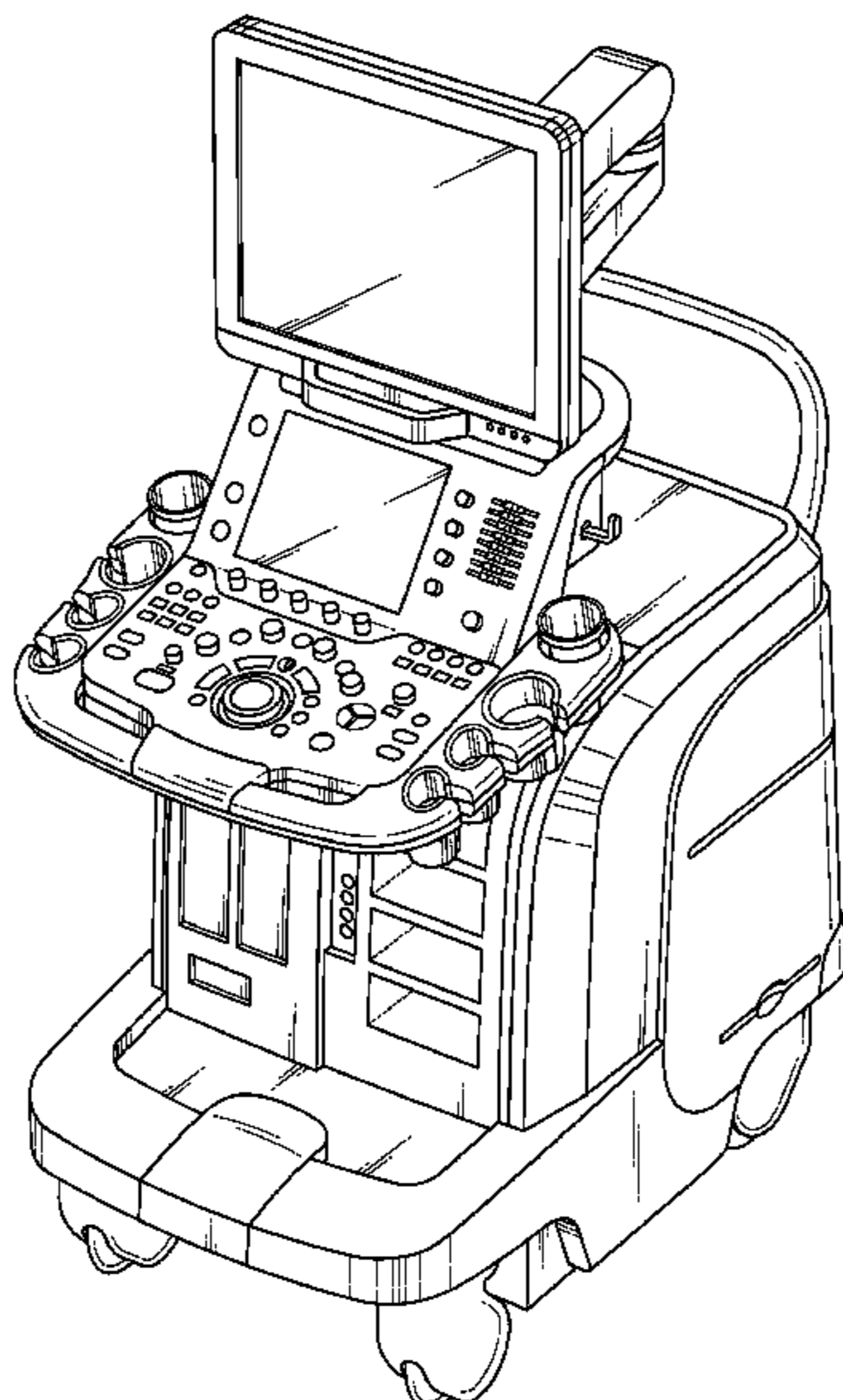
The ornamental design for ultrasonic diagnosis device, as shown and described.

DESCRIPTION

FIG. 1 is a front, top and right side perspective view of an ultrasonic diagnosis device, showing our new design; FIG. 2 is a front elevational view thereof; FIG. 3 is a rear elevational view thereof; FIG. 4 is a top plan view thereof; FIG. 5 is a bottom plan view thereof; FIG. 6 is a right side elevational view thereof; and, FIG. 7 is a left side elevational view thereof.

The broken lines are included for the purpose of illustrating portions of the ultrasonic diagnosis device that form no part of the claimed design.

1 Claim, 7 Drawing Sheets



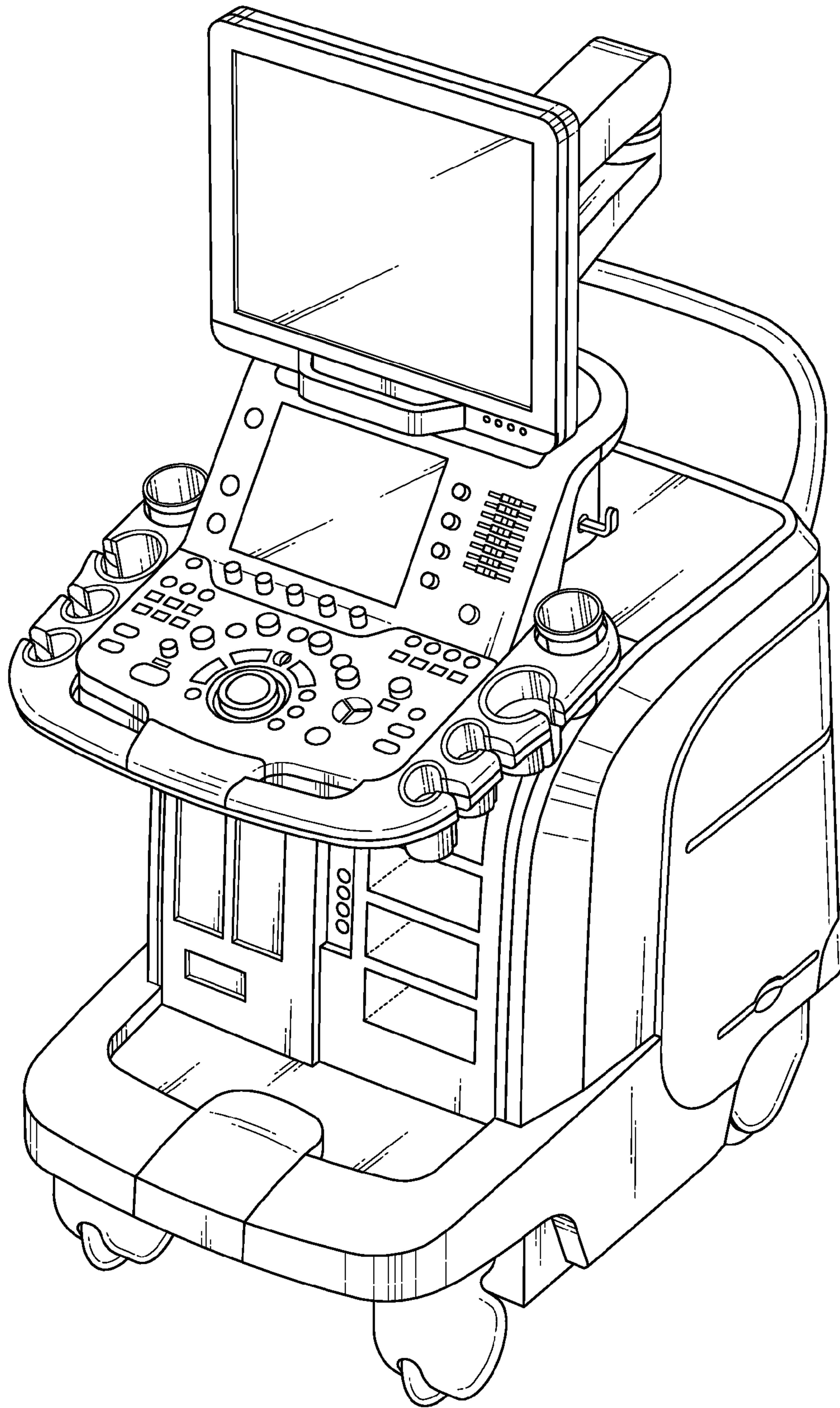


FIG.1

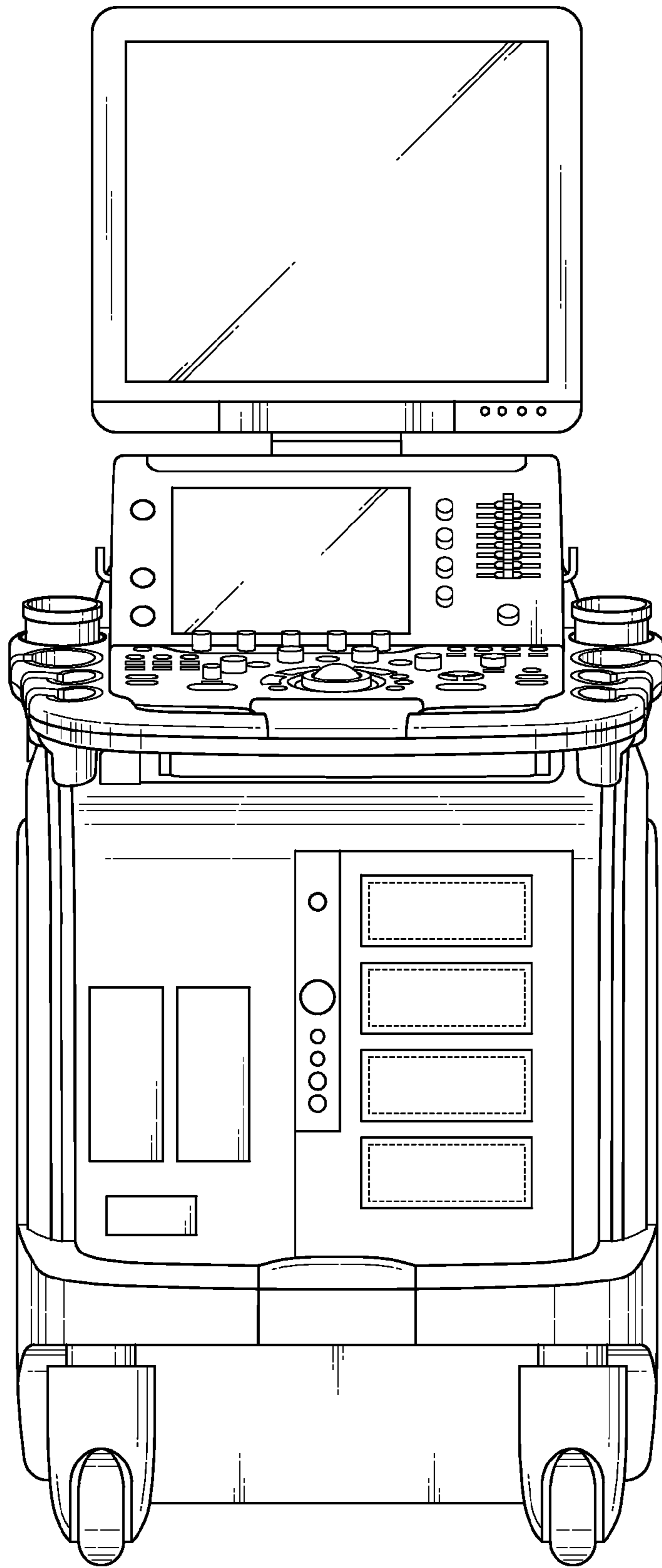


FIG.2

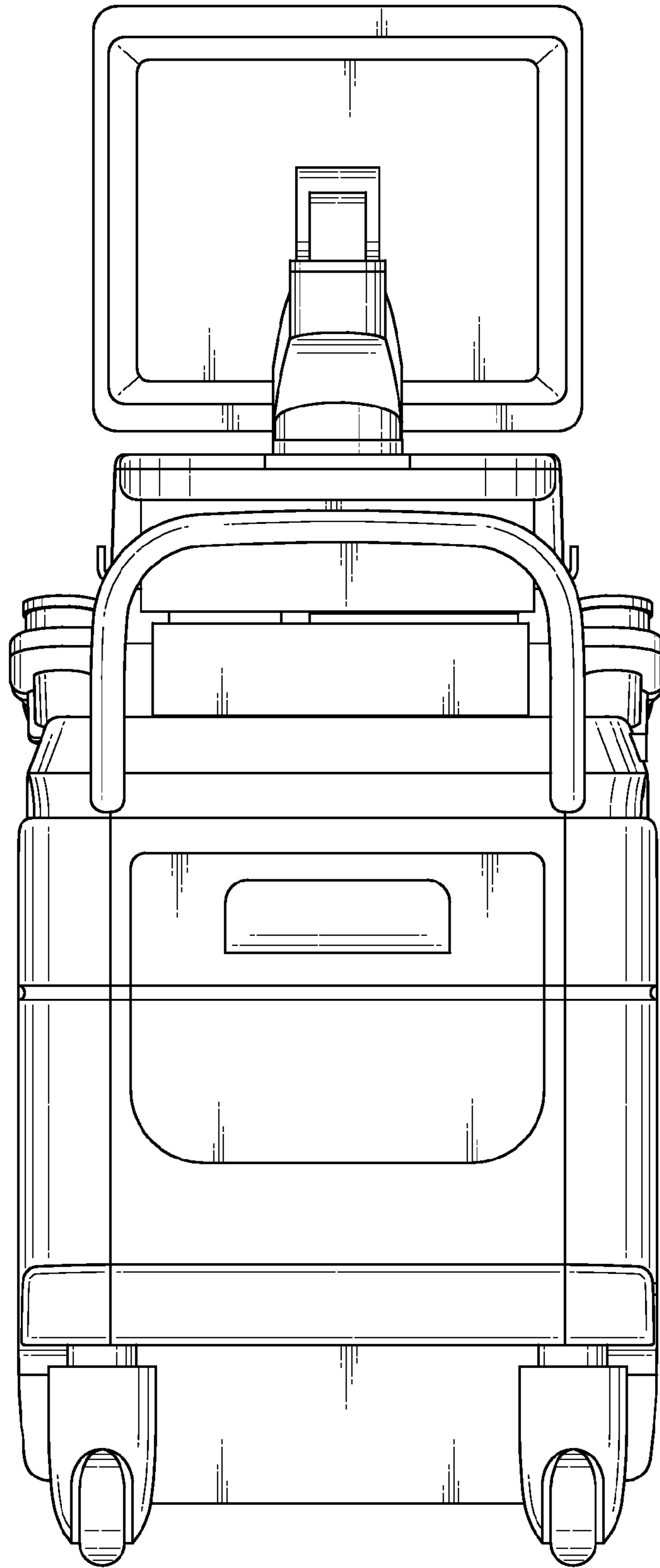


FIG.3

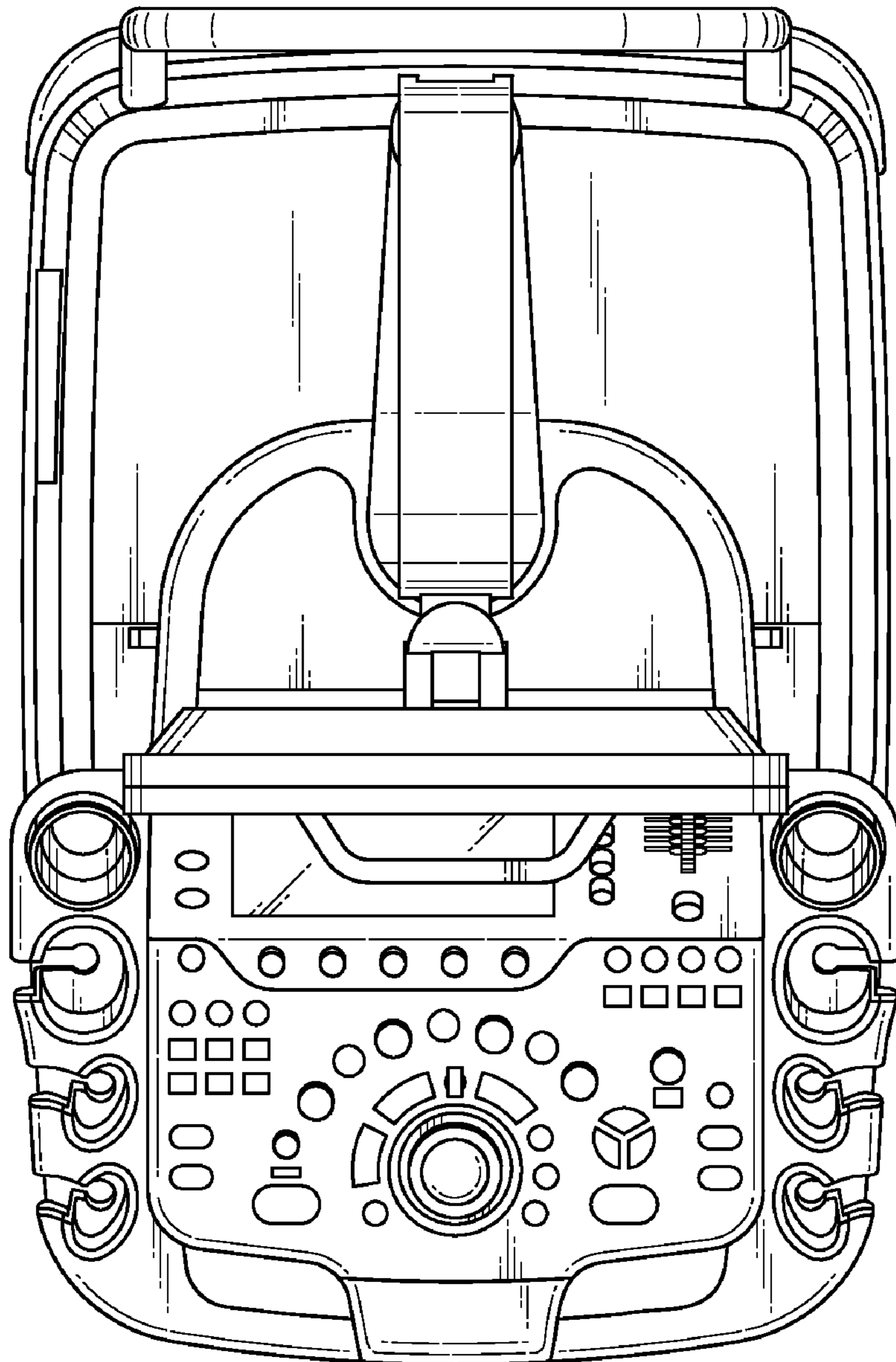


FIG.4

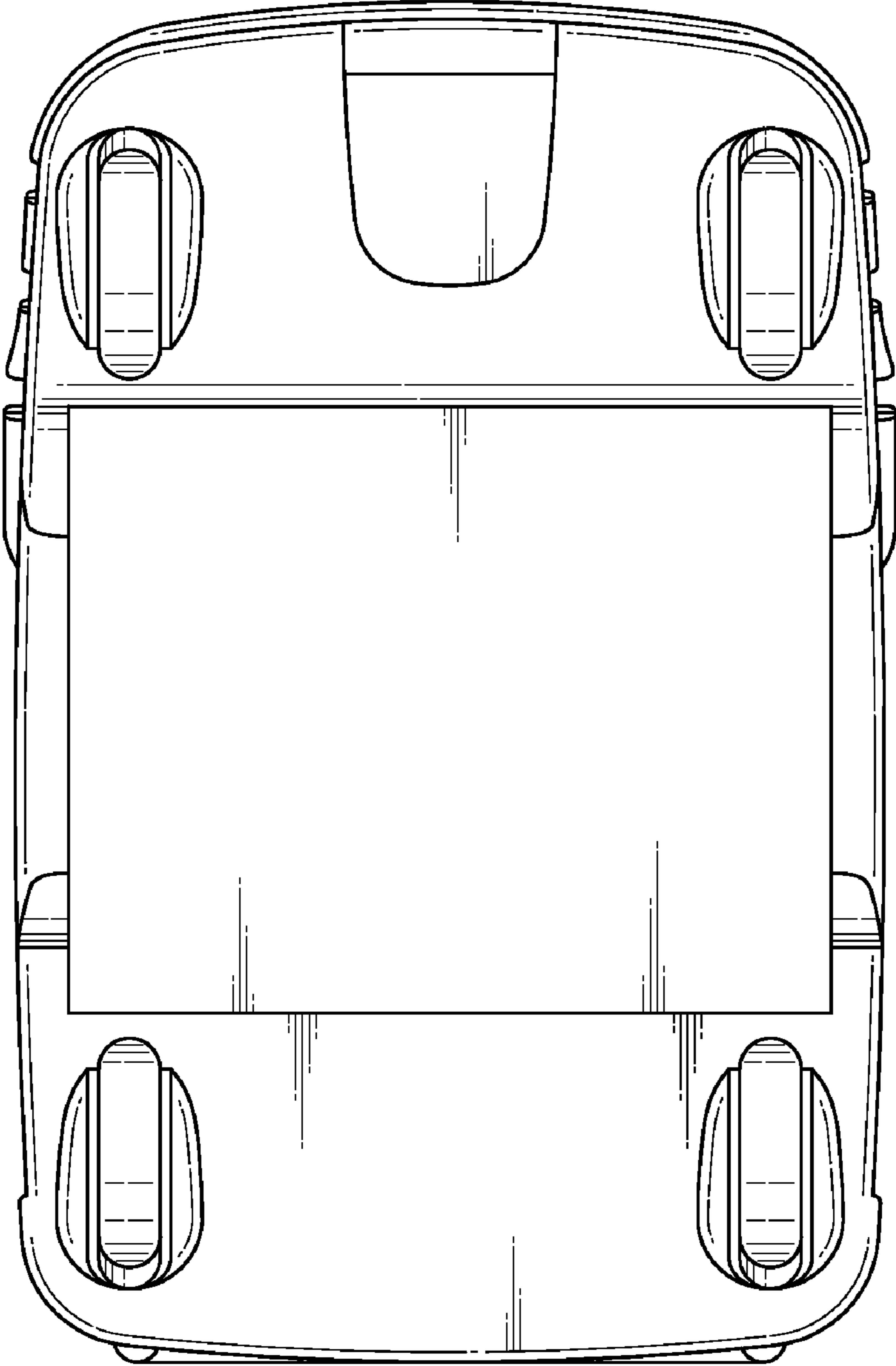


FIG.5

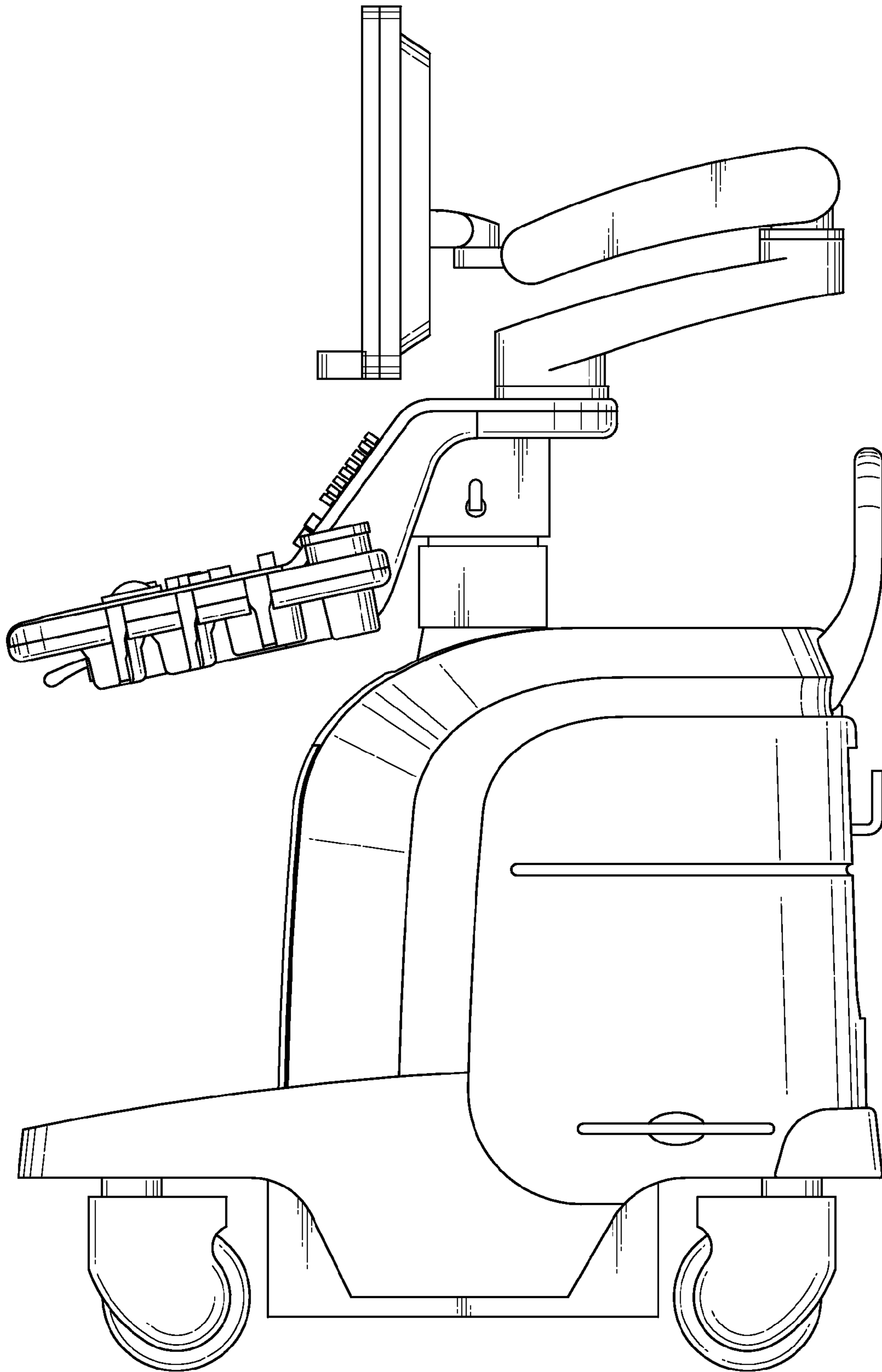


FIG.6

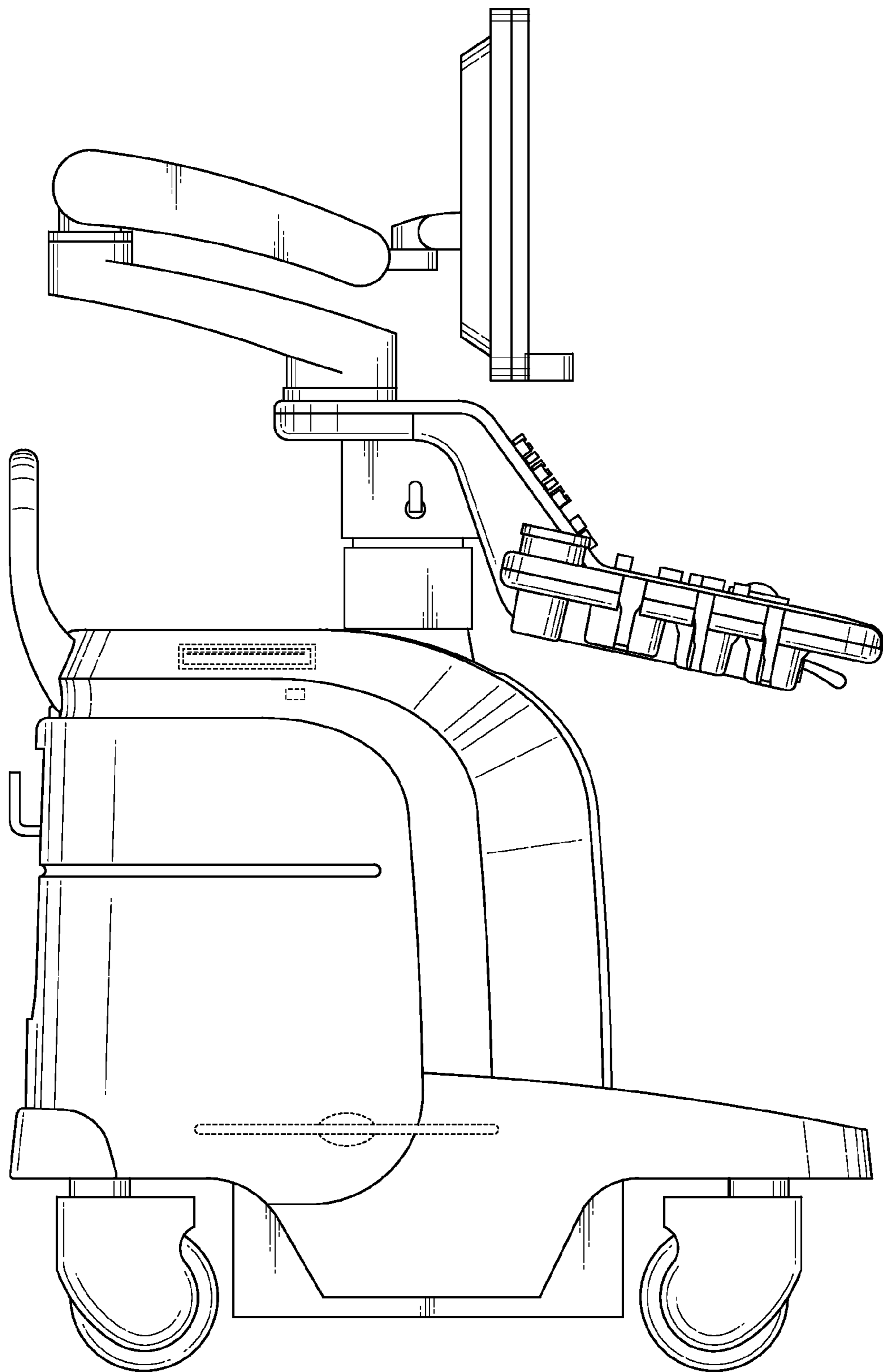


FIG.7