

US00D662207S

(12) **United States Design Patent**
Groh et al.

(10) **Patent No.:** **US D662,207 S**
(45) **Date of Patent:** **** Jun. 19, 2012**

(54) **COMPUTER TOMOGRAPHY MEASURING DEVICE**

D366,782 S * 2/1996 Bonazza D6/427
D433,135 S * 10/2000 Shoenfeld D24/160
D566,278 S * 4/2008 Echizenya et al. D24/158

(75) Inventors: **Rainer Groh**, Dresden (DE); **Martin Simon**, Uhldingen (DE)

* cited by examiner

(73) Assignee: **Wenzel Volumetrik GmbH**, Singen (DE)

Primary Examiner — Anhdao Doan

(74) *Attorney, Agent, or Firm* — Bachman & LaPointe, P.C.

(**) Term: **14 Years**

(57) **CLAIM**

The ornamental design for a computer tomography measuring device, as shown and described.

(21) Appl. No.: **29/346,499**

DESCRIPTION

(22) Filed: **Nov. 2, 2009**

(30) **Foreign Application Priority Data**

May 2, 2009 (DE) 40 2009 002 144

(51) **LOC (9) Cl.** **24-01**

(52) **U.S. Cl.** **D24/158**

(58) **Field of Classification Search** D24/158-161,
D24/186, 183-185; 378/4, 19-21, 23, 25,
378/27, 146, 162, 901; 5/601, 607, 611;
D6/396, 397, 422, 425, 427; 312/223.2,
312/223.3

See application file for complete search history.

(56) **References Cited**

U.S. PATENT DOCUMENTS

D183,659 S * 10/1958 North D24/160
D290,874 S * 7/1987 Wagner D24/160
D294,173 S * 2/1988 Tesic et al. D24/160

FIG. 1 is a perspective view of a computer tomography measuring device showing the ornamental design of the present invention;

FIG. 2 is a first side view of the computer tomography measuring device of FIG. 1;

FIG. 3 is a top view of the computer tomography measuring device of FIG. 1;

FIG. 4 is an opposite side view of the computer tomography measuring device of FIG. 1;

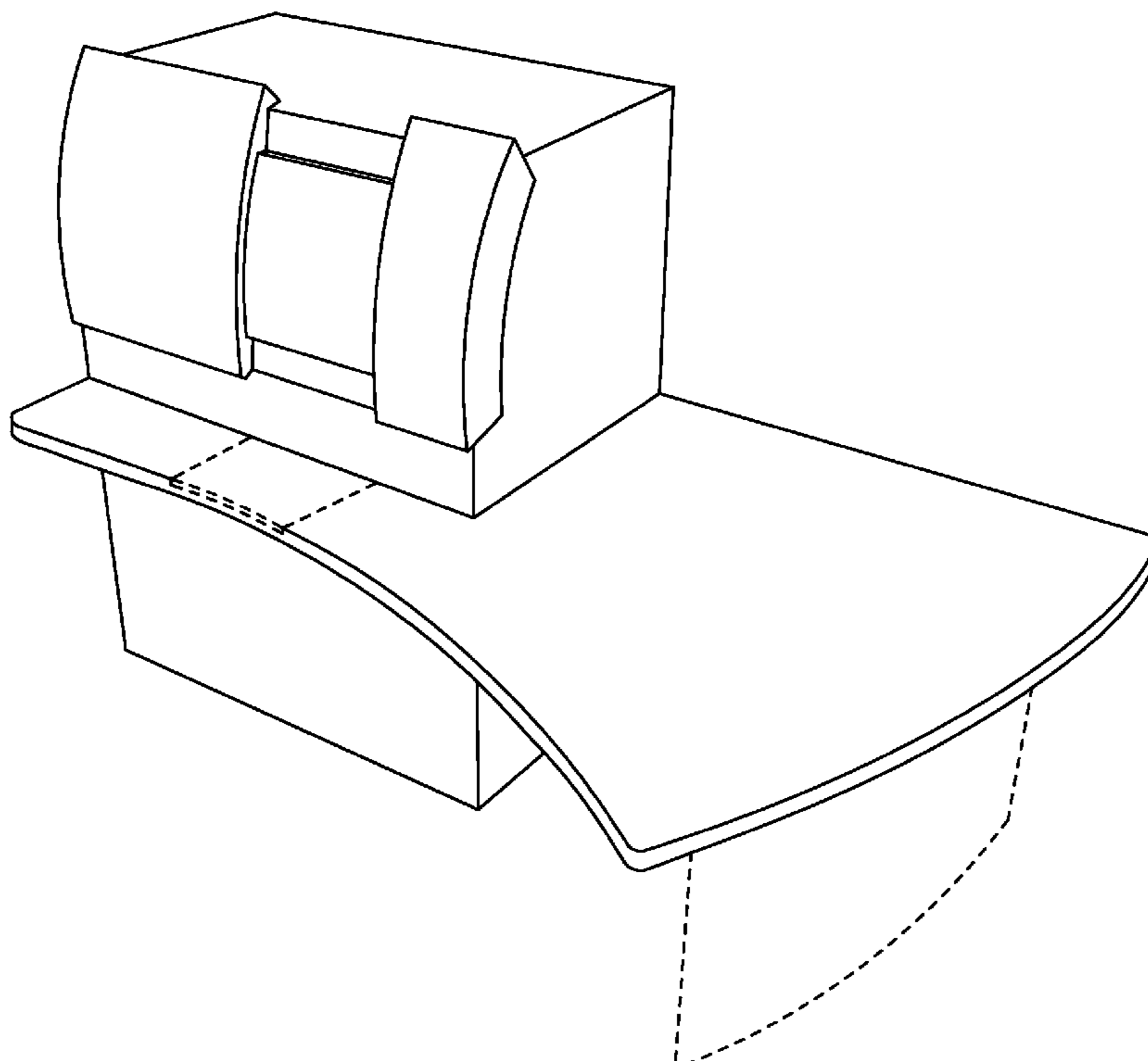
FIG. 5 is a bottom view of the computer tomography measuring device of FIG. 1;

FIG. 6 is a front view of the computer tomography measuring device of FIG. 1; and,

FIG. 7 is a rear view of the computer tomography measuring device of FIG. 1.

The broken lines included in FIGS. 1-7 for the purpose of illustrating portions of the computer tomography measuring device form no part of the claimed design.

1 Claim, 7 Drawing Sheets



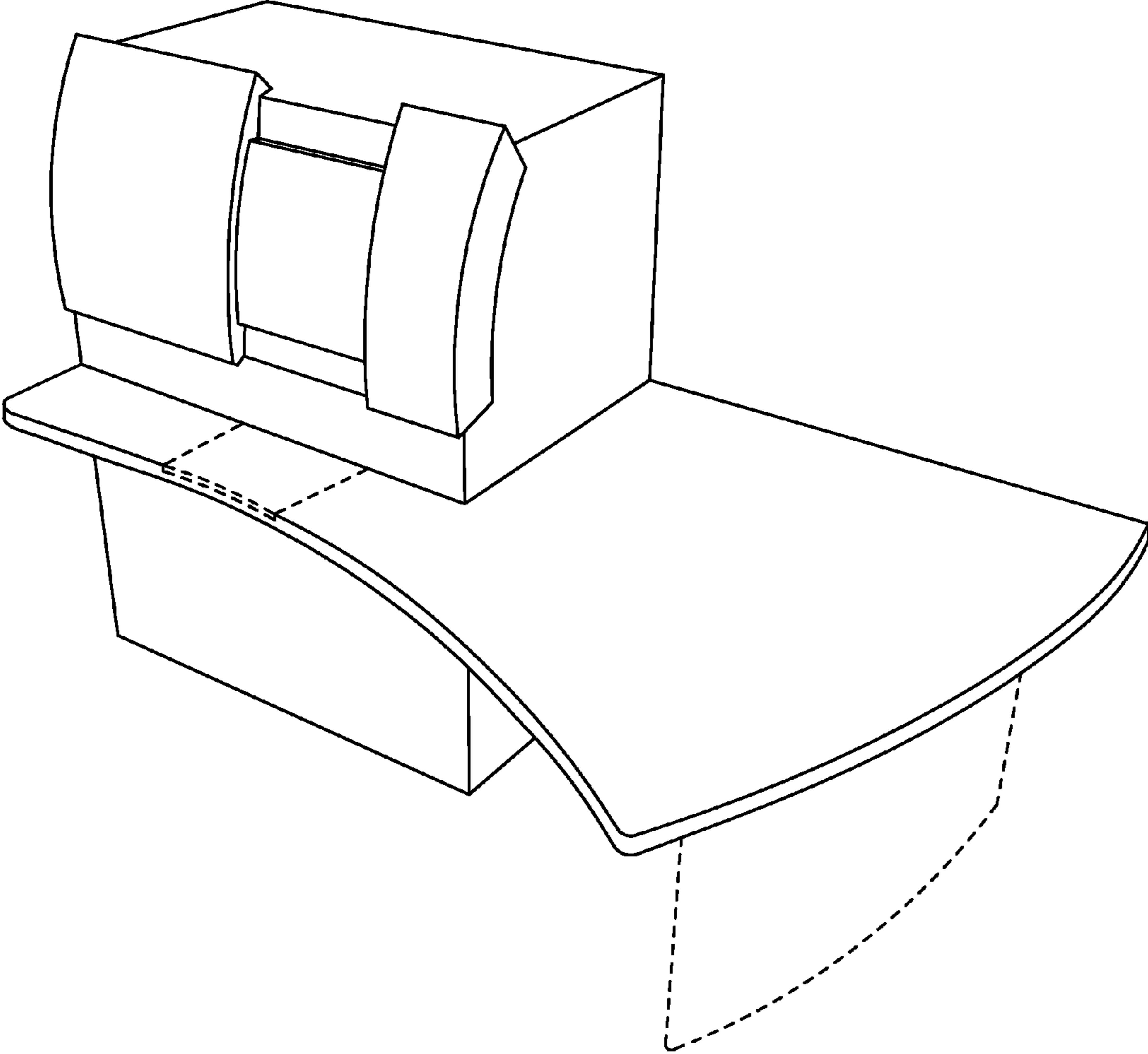


FIG. 1

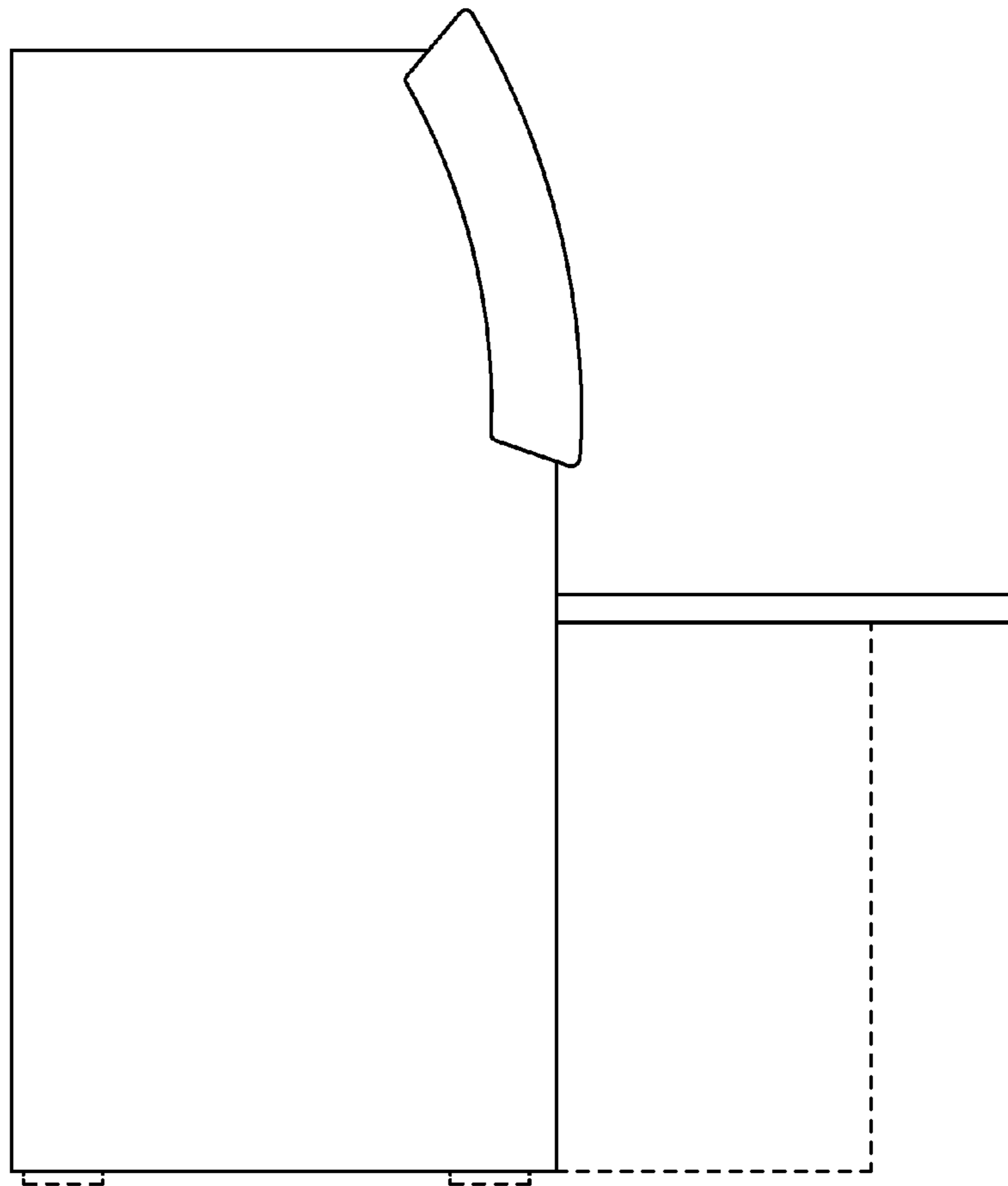


FIG. 2

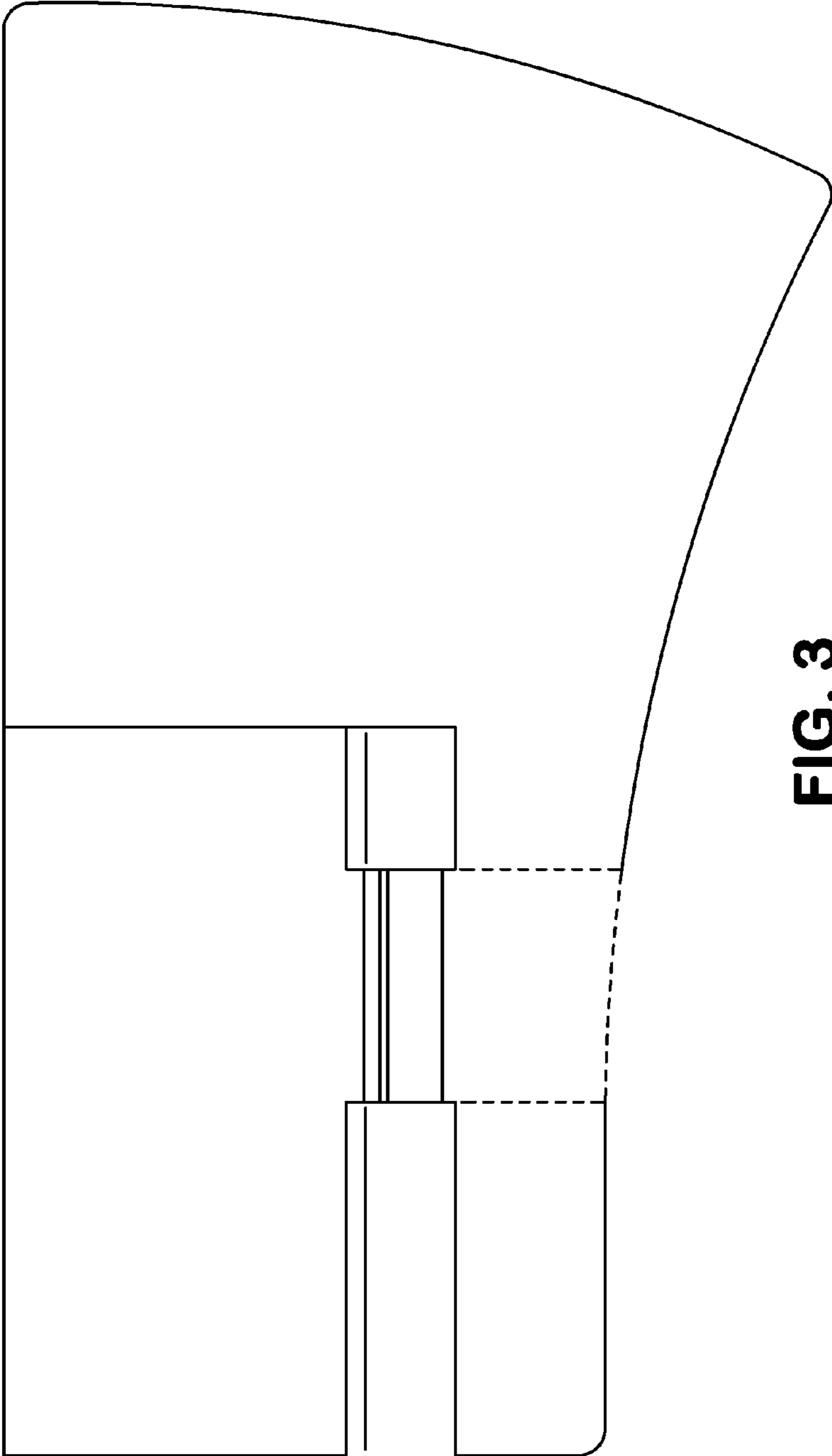


FIG. 3

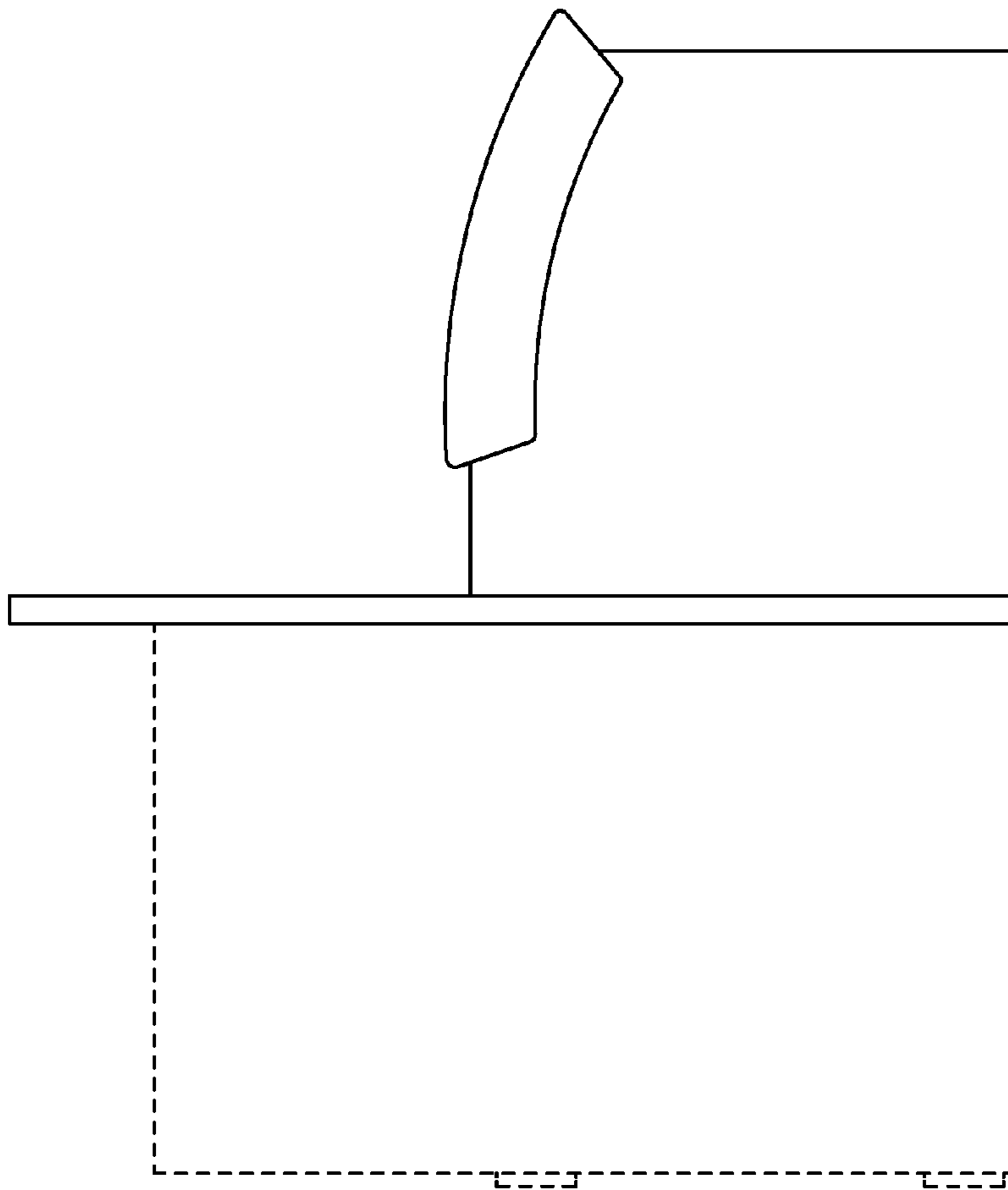


FIG. 4

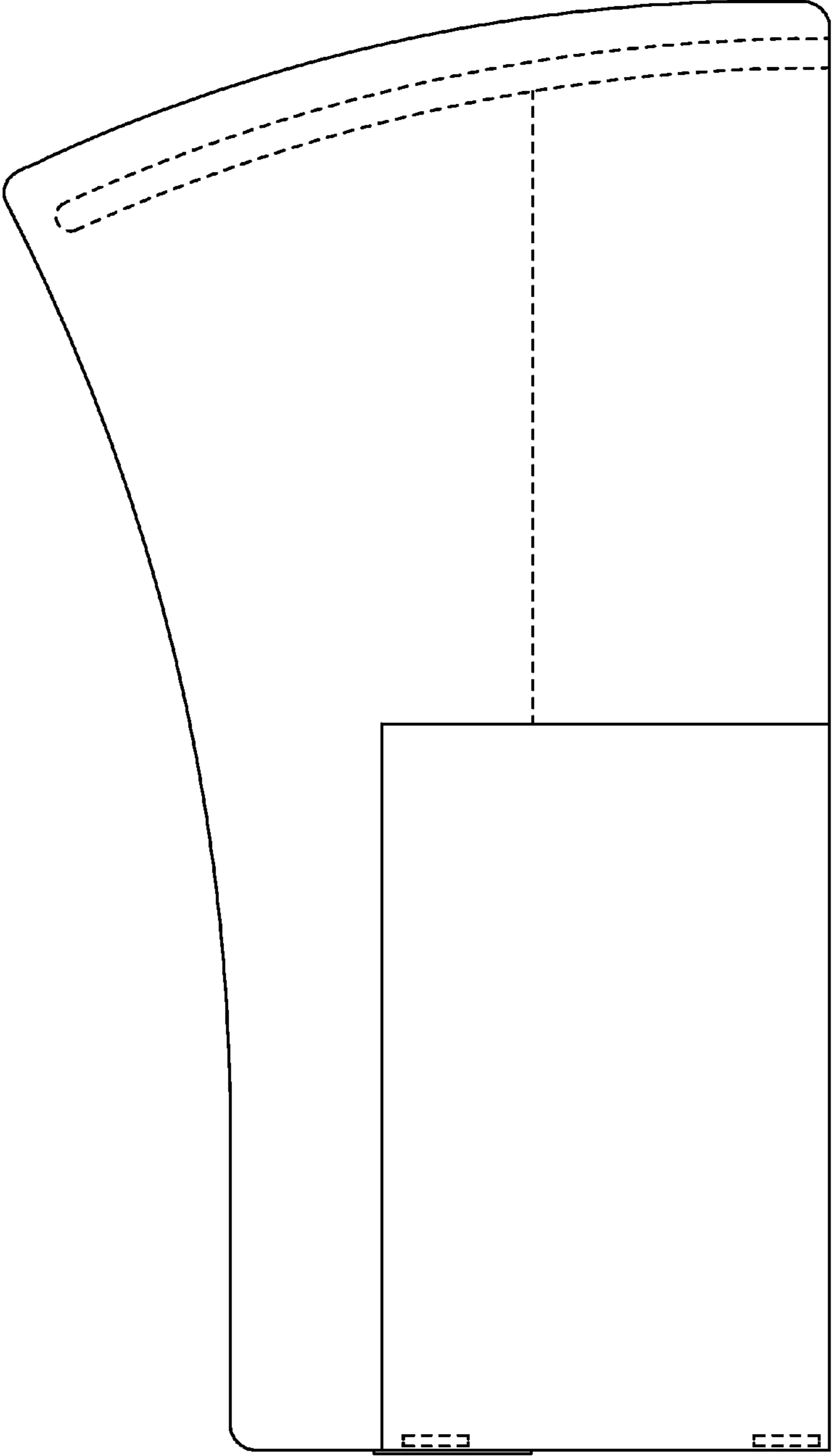


FIG. 5

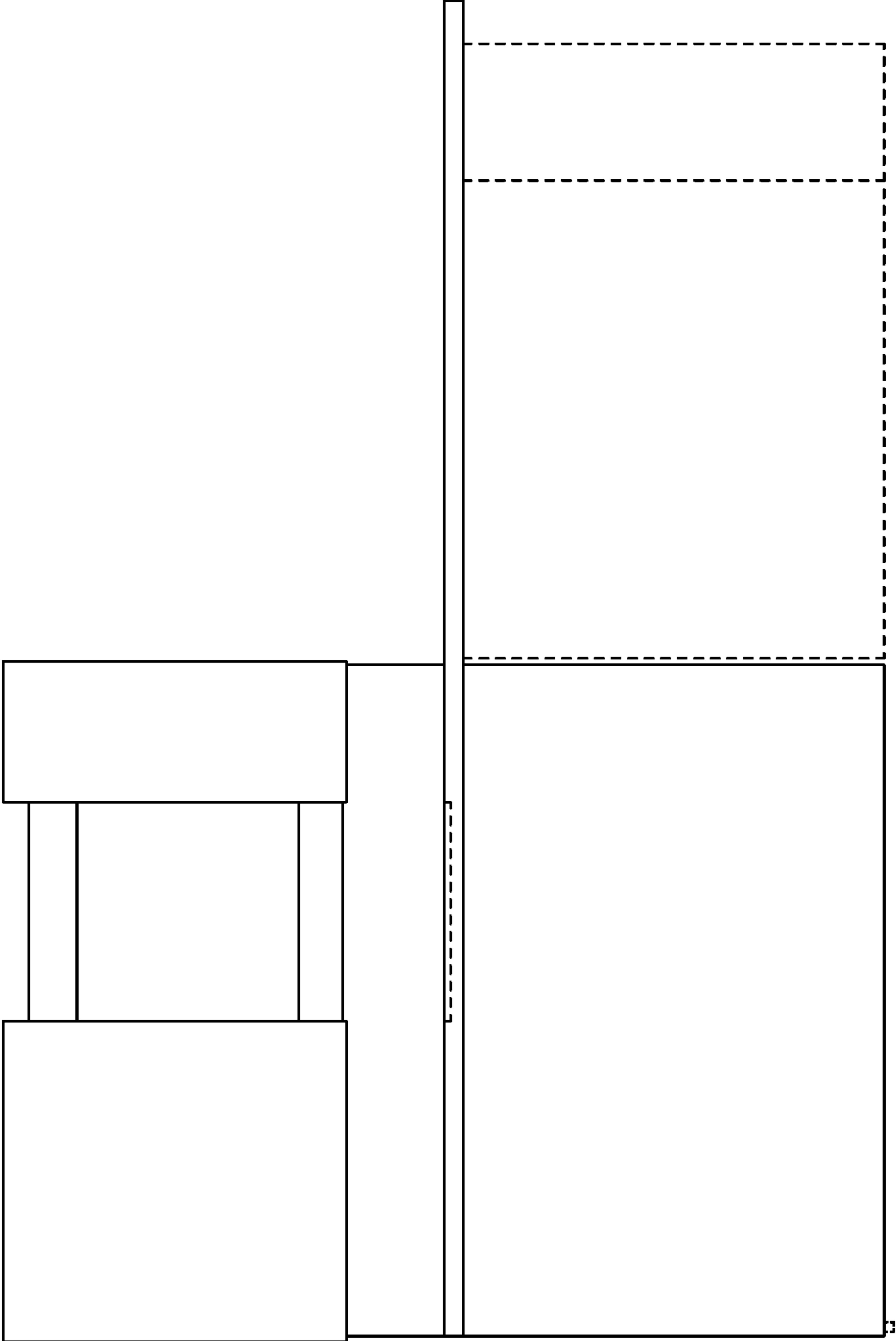


FIG. 6

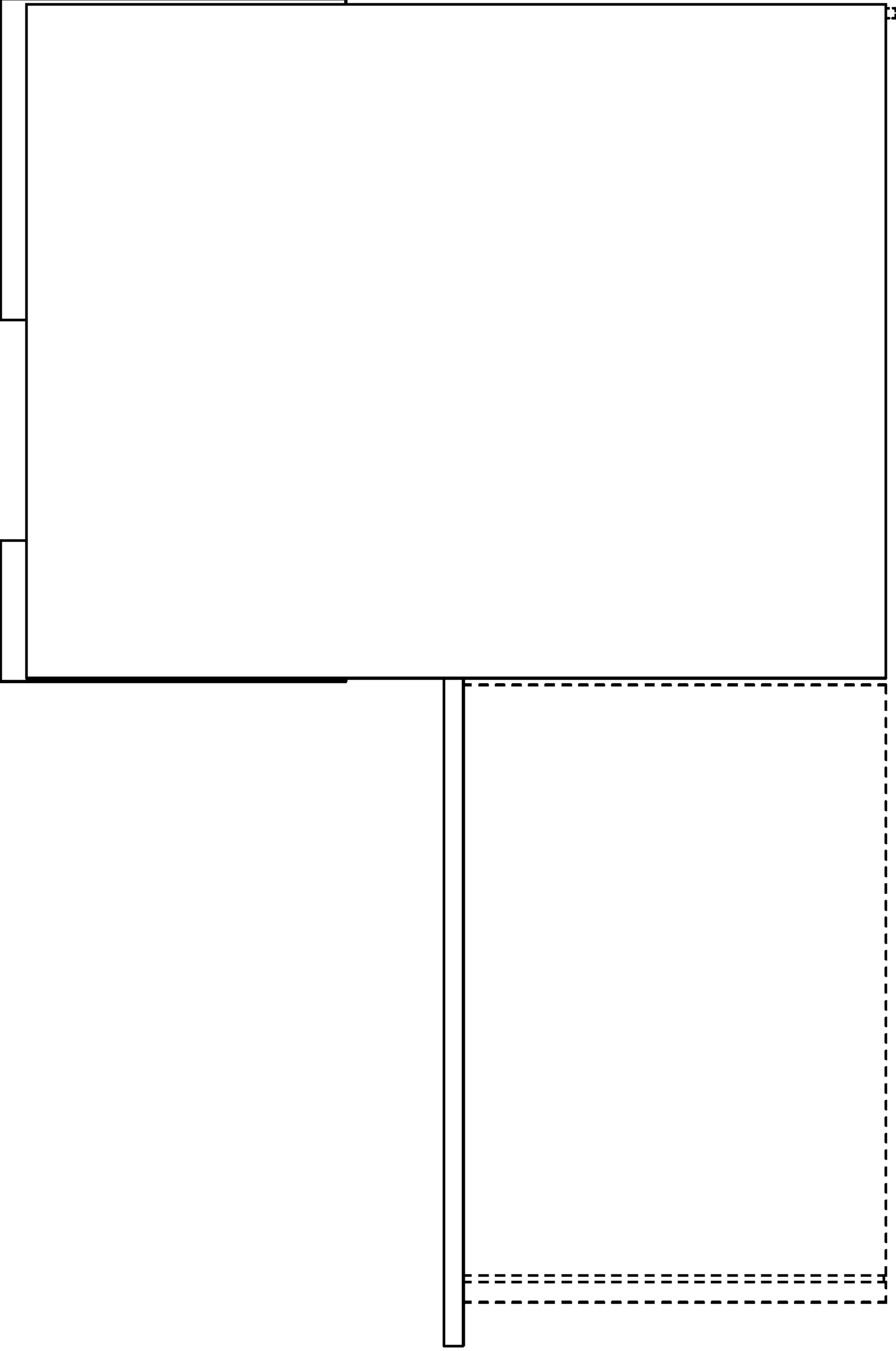


FIG. 7