

US00D662206S

(12) **United States Design Patent**
Way et al.

(10) **Patent No.:** **US D662,206 S**
(45) **Date of Patent:** **** Jun. 19, 2012**

(54) **DENTAL DEVICE**

(75) Inventors: **Bryce A. Way**, San Jose, CA (US);
Christopher U. Phan, San Leandro, CA (US)

(73) Assignee: **AlveoLogic LLC**, San Jose, CA (US)

(**) Term: **14 Years**

(21) Appl. No.: **29/391,200**

(22) Filed: **May 4, 2011**

(51) **LOC (9) Cl.** **24-02**

(52) **U.S. Cl.** **D24/152; D8/83; D24/147**

(58) **Field of Classification Search** D24/152,
D24/155-156, 176; D8/16, 82-83, 86, 88-89,
D8/107; 81/177.1, 436, 439, 489, 63.1; 433/102,
433/133, 141, 166, 114, 216
See application file for complete search history.

(56) **References Cited**

U.S. PATENT DOCUMENTS

2,564,356	A *	8/1951	Dianda	81/177.1
3,360,861	A *	1/1968	Hoffman	D24/152
D285,835	S *	9/1986	Hanses	D24/152
4,777,852	A *	10/1988	Herman et al.	81/63.1
5,343,883	A *	9/1994	Murayama	433/118
6,543,315	B2 *	4/2003	Huang	81/63.1

D607,300	S *	1/2010	Lin	D8/107
D628,697	S *	12/2010	Murias	D24/152
D629,102	S *	12/2010	Murias et al.	D24/152
2009/0035727	A1 *	2/2009	Maissami	433/216
2009/0275954	A1 *	11/2009	Phan et al.	606/104
2010/0266983	A1 *	10/2010	Ng et al.	433/114

* cited by examiner

Primary Examiner — Wan Laymon

(74) *Attorney, Agent, or Firm* — Shay Glenn LLP

(57) **CLAIM**

The ornamental design for a dental device, as shown and described.

DESCRIPTION

FIG. 1 is a perspective view of the dental device showing our new design;

FIG. 2 is a right view thereof;

FIG. 3 is a left view thereof;

FIG. 4 is a front view thereof;

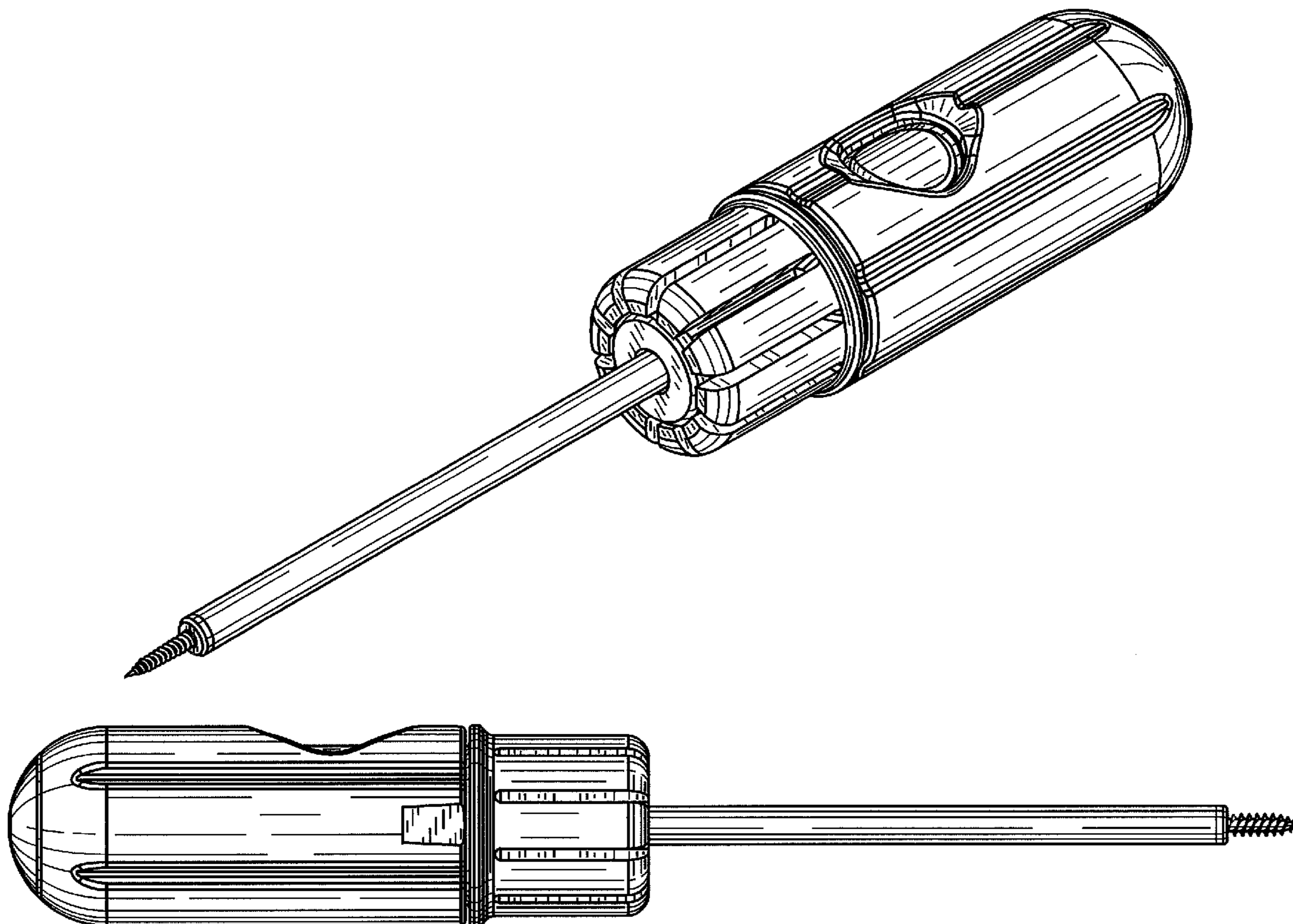
FIG. 5 is a back view thereof;

FIG. 6 is a top view thereof; and,

FIG. 7 is a bottom view thereof.

The broken line shown the circle shape in FIG. 7 represent portions of the dental device that form no part of the claimed design.

1 Claim, 6 Drawing Sheets



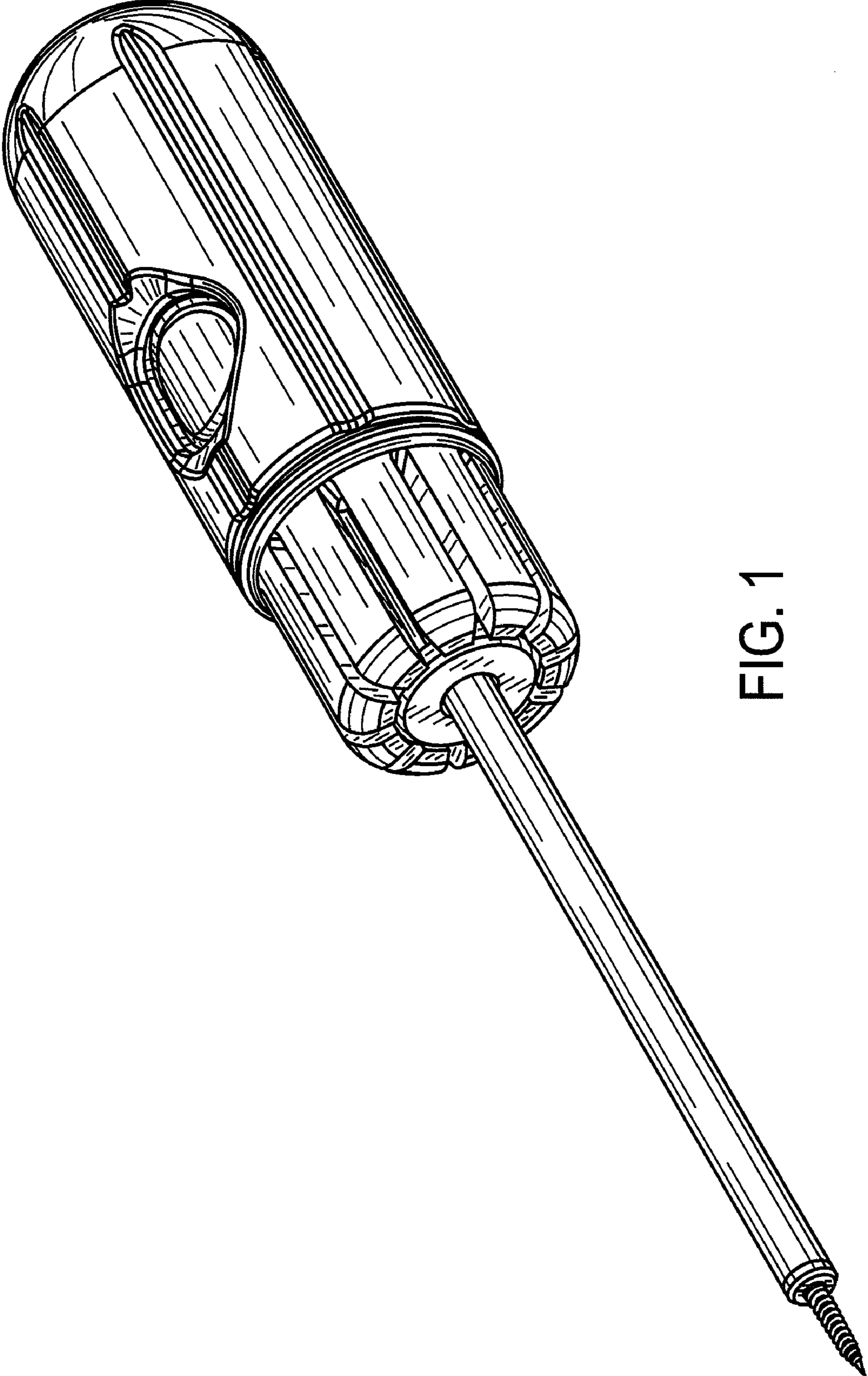


FIG. 1

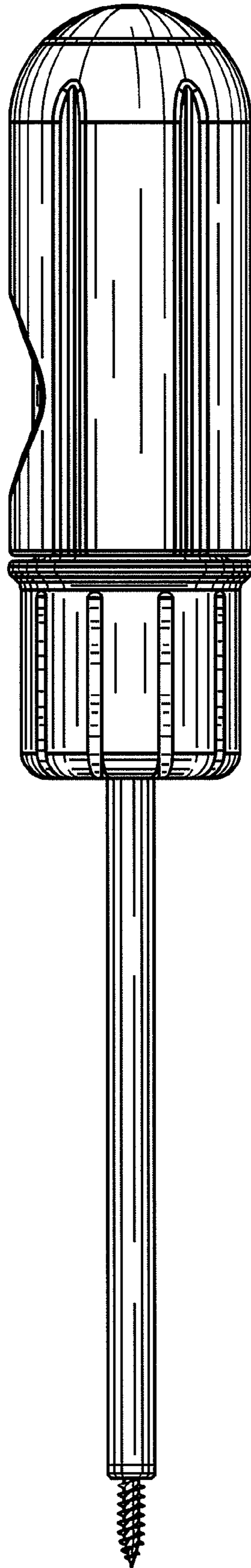


FIG. 2

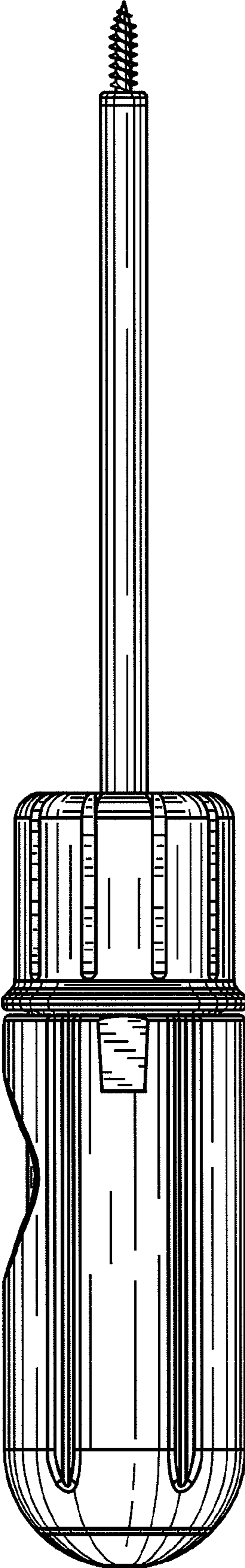


FIG. 3

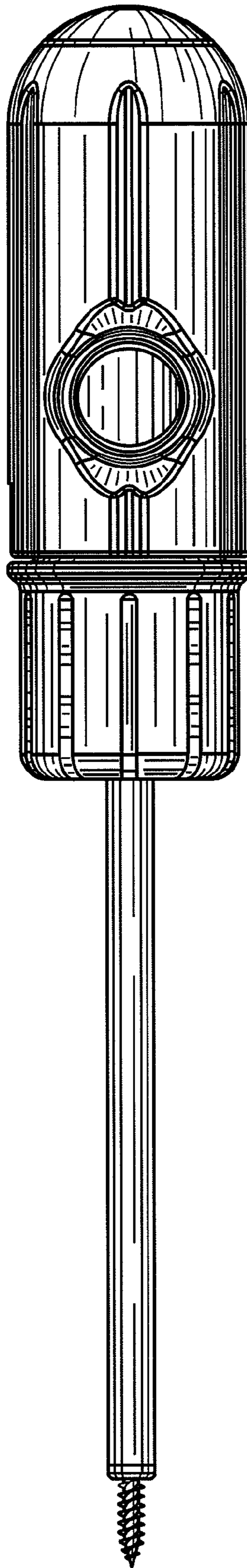


FIG. 4

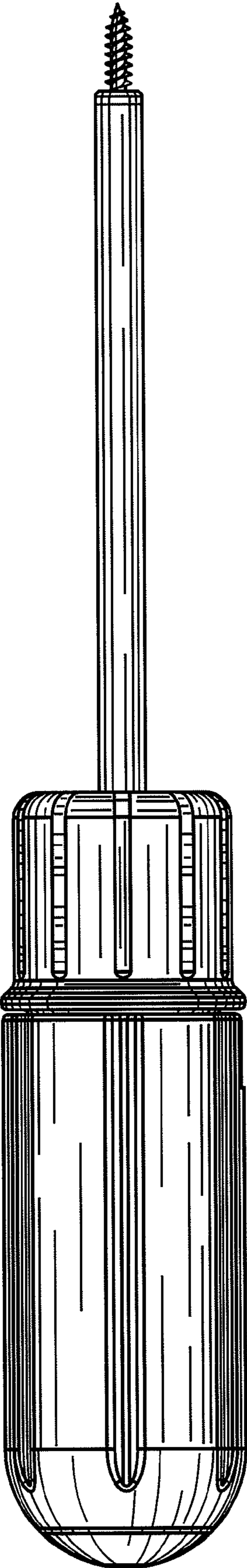


FIG. 5

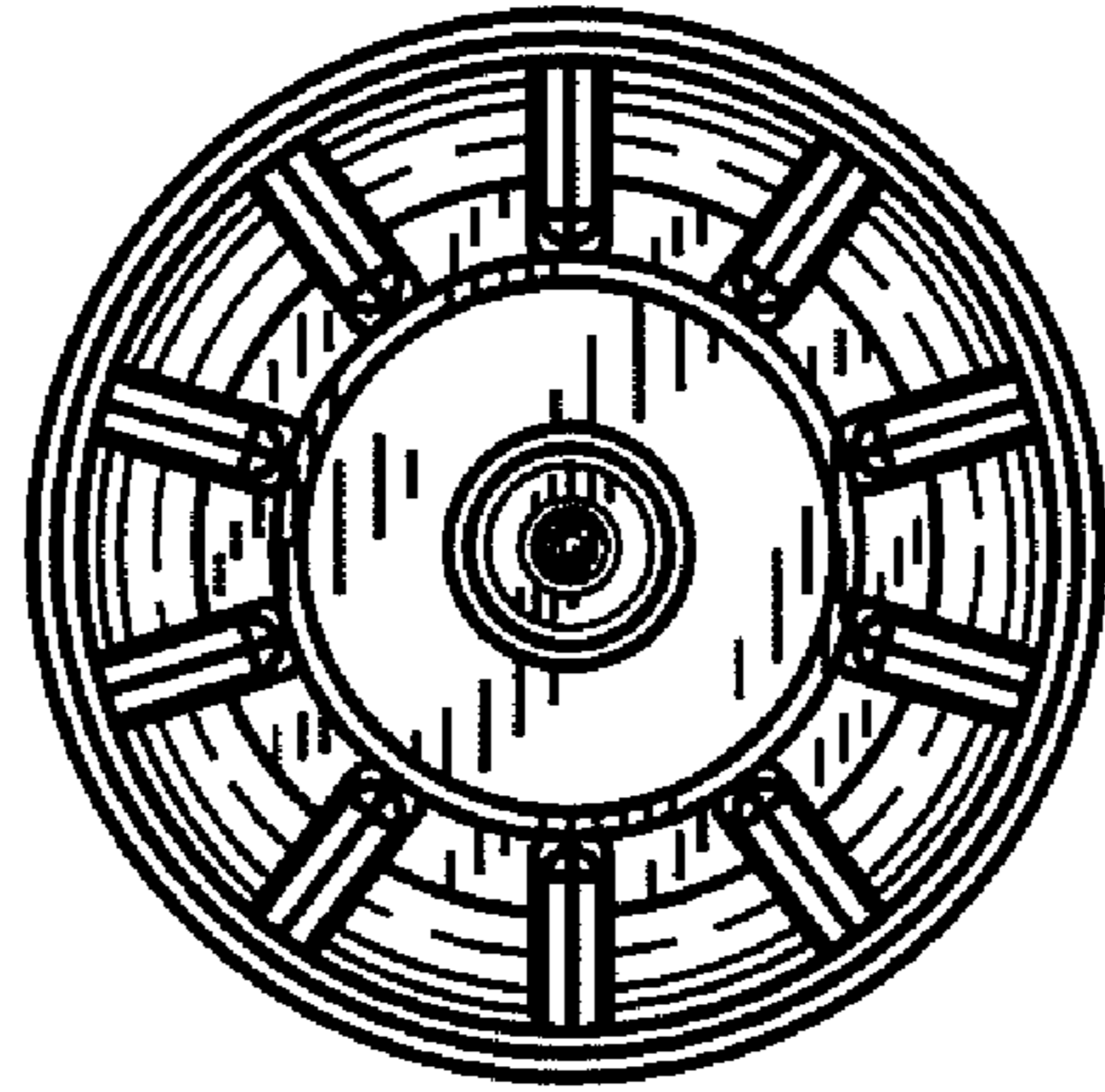


FIG. 6

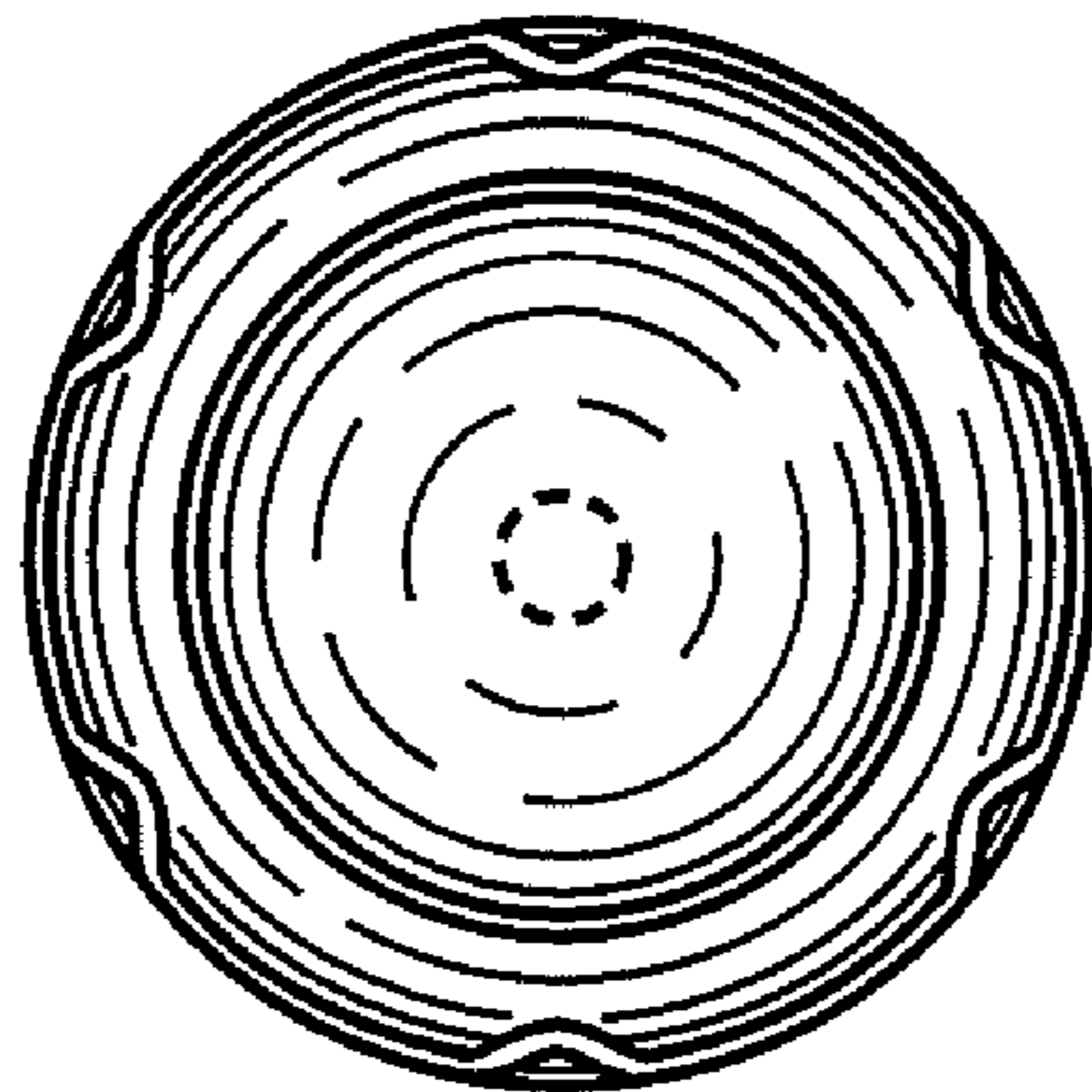


FIG. 7