



US00D662204S

(12) **United States Design Patent**
Franceschi et al.

(10) **Patent No.:** **US D662,204 S**
(45) **Date of Patent:** **** Jun. 19, 2012**

(54) **TARGET DEVICE**

(75) Inventors: **Francesco Franceschi**, Rome (IT);
Michael Sauer, Tuttlingen (DE); **Martin Oberlaender**, Engen (DE); **Bodo Kreidler**, Tuttlingen (DE); **Juergen Bogenschuetz**, Altheim (DE)

(73) Assignee: **Karl Storz GmbH & Co. KG** (DE)

(**) Term: **14 Years**

(21) Appl. No.: **29/394,978**

(22) Filed: **Jun. 23, 2011**

(30) **Foreign Application Priority Data**

Dec. 23, 2010 (EM) 001798331-0026

(51) **LOC (9) Cl.** **24-02**

(52) **U.S. Cl.** **D24/140**

(58) **Field of Classification Search** D24/133,
D24/135, 140, 190-192; 606/96, 103, 104,
606/108, 130

See application file for complete search history.

(56) **References Cited**

U.S. PATENT DOCUMENTS

D238,540 S * 1/1976 Holly D24/140
5,312,409 A * 5/1994 McLaughlin et al. 606/86 R

D352,111 S * 11/1994 Watkins D24/140
5,496,319 A * 3/1996 Allard et al. 606/56
D381,746 S * 7/1997 Koros et al. D24/133
D566,269 S * 4/2008 Koros et al. D24/135
D600,807 S * 9/2009 Dienst et al. D24/140
D623,292 S * 9/2010 Kubota D24/140
D638,544 S * 5/2011 Koenigsberger et al. D24/140
2008/0103506 A1 * 5/2008 Volpi et al. 606/96
2010/0121338 A1 * 5/2010 Pandya 606/96
2011/0270328 A1 * 11/2011 Overes 606/86 R

* cited by examiner

Primary Examiner — Bridget L Eland

(74) *Attorney, Agent, or Firm* — St. Onge Steward Johnston & Reens LLC

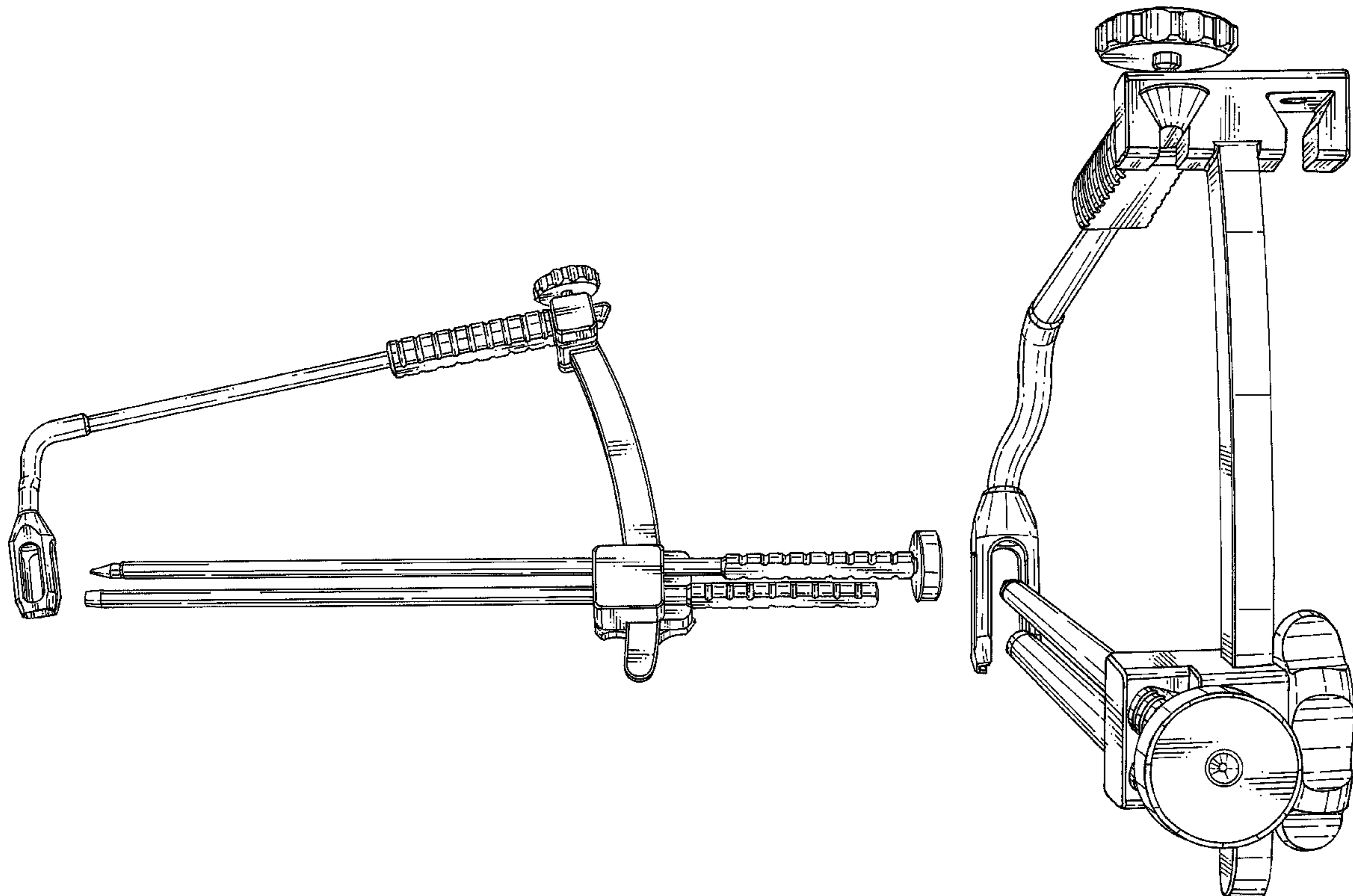
(57) **CLAIM**

The ornamental design for a target device, as shown and described.

DESCRIPTION

FIG. 1 is a bottom left side perspective view of a target device in accordance with the new design;
FIG. 2 is a left side isometric view thereof;
FIG. 3 is a right side isometric view thereof;
FIG. 4 is a bottom isometric view thereof;
FIG. 5 is a top isometric view thereof;
FIG. 6 is a front isometric view thereof; and,
FIG. 7 is a rear isometric view thereof.

1 Claim, 7 Drawing Sheets



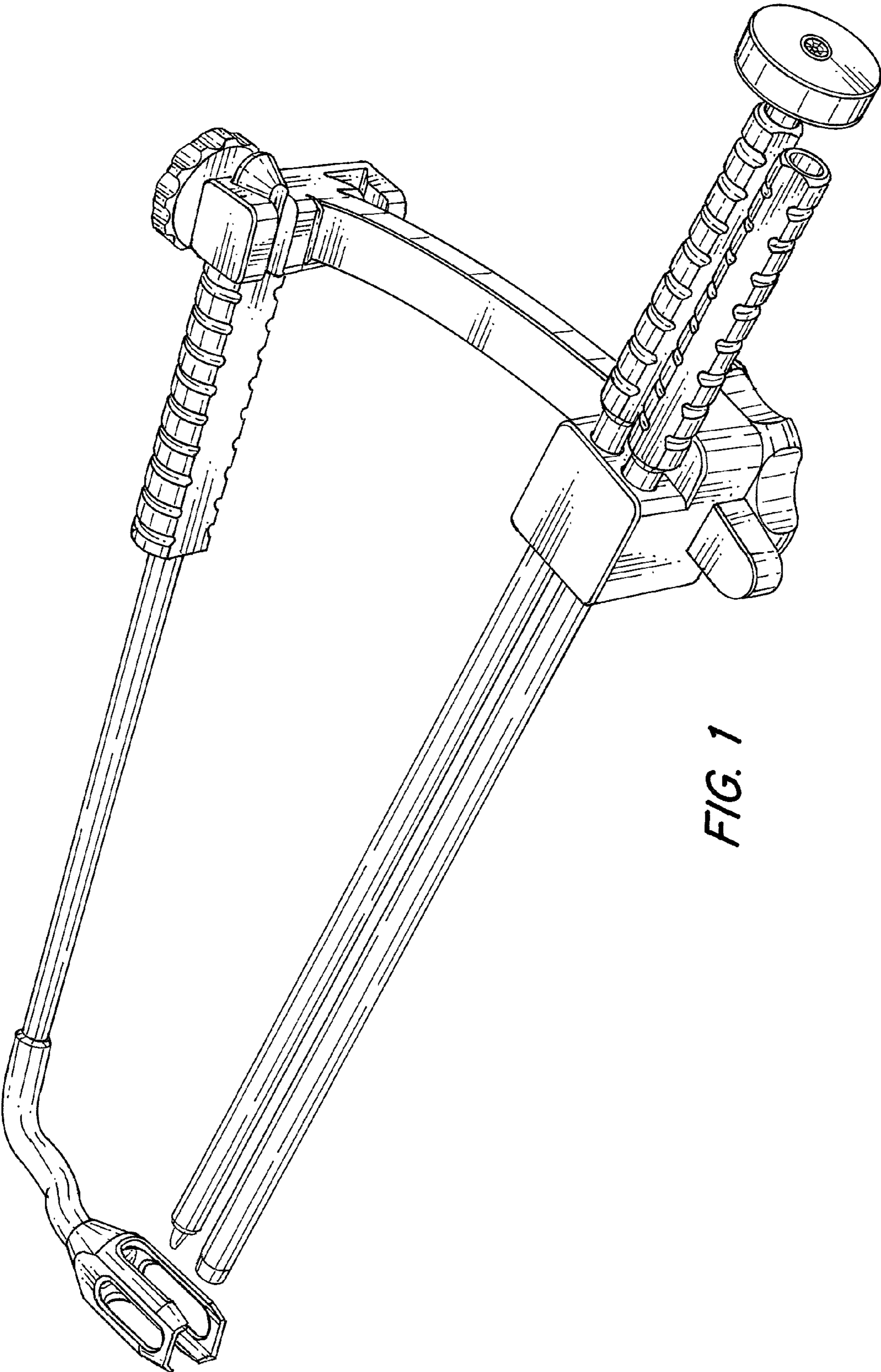


FIG. 1

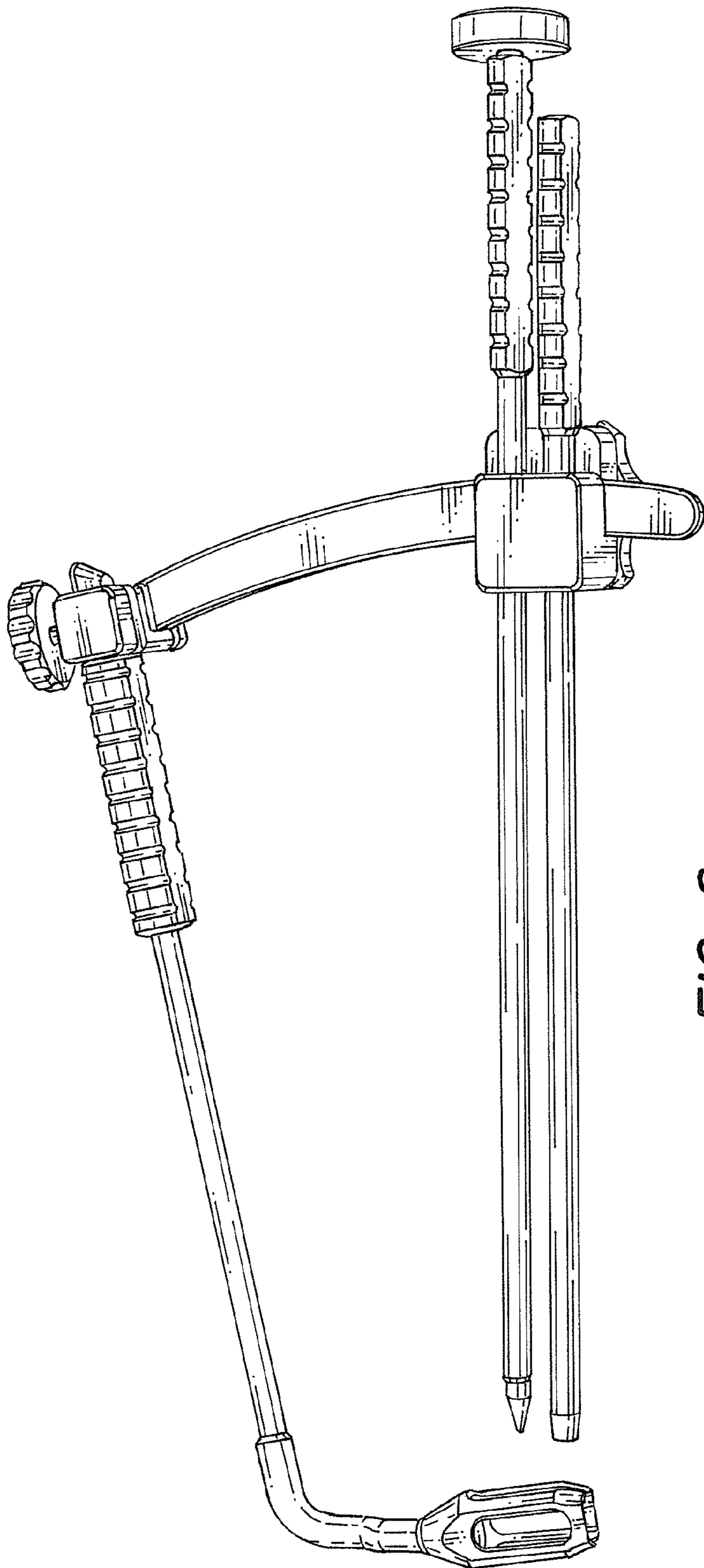


FIG. 2

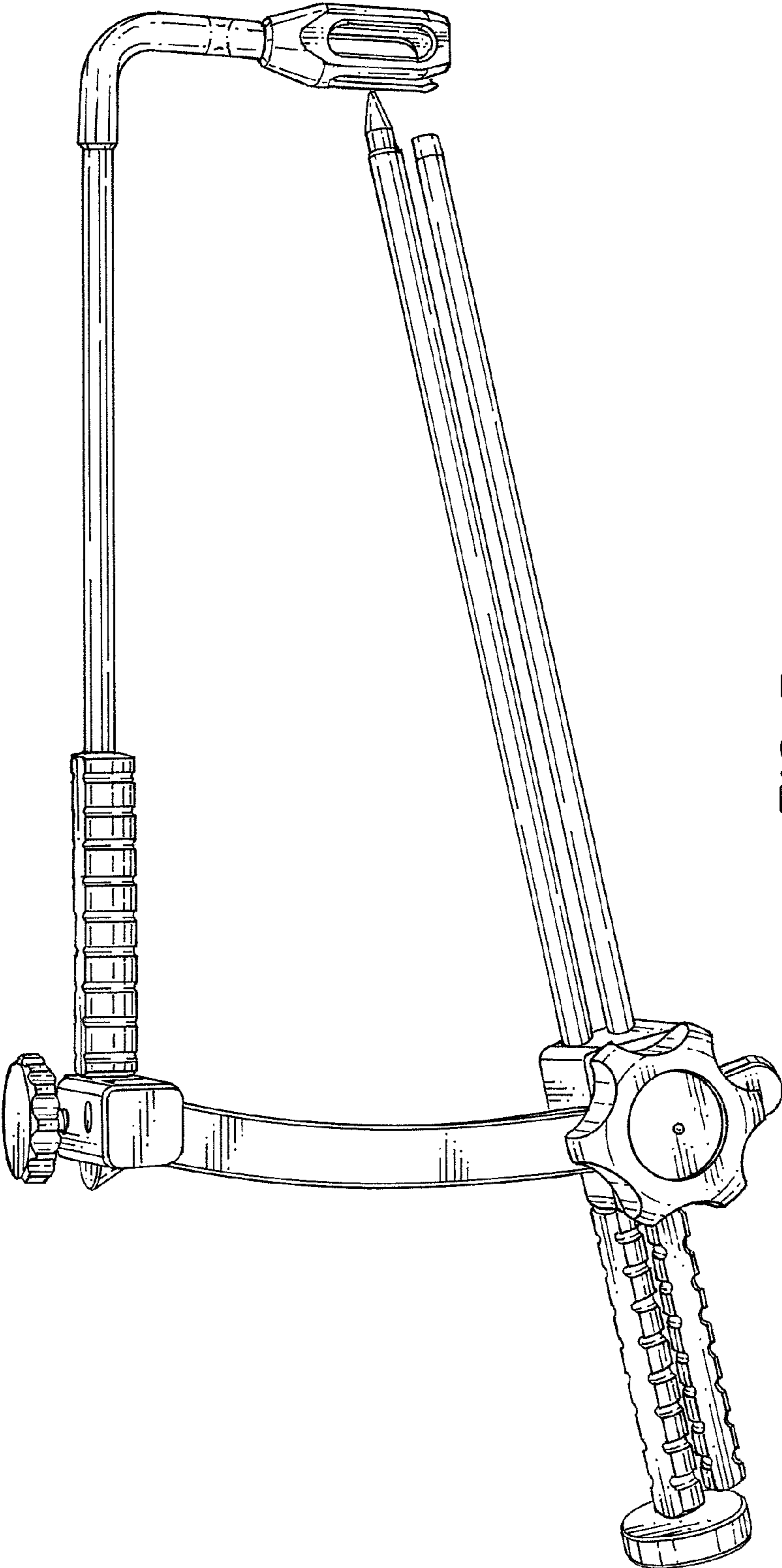


FIG. 3

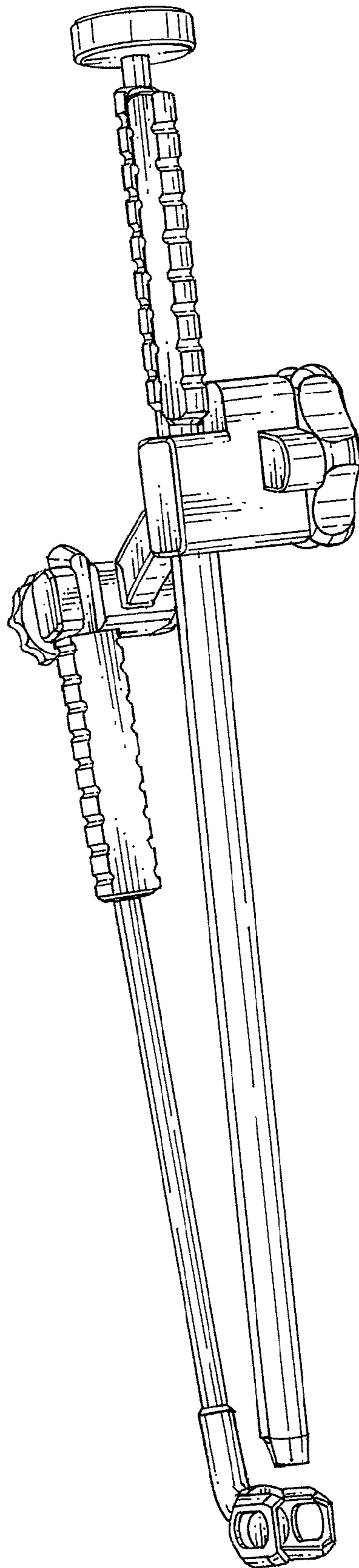


FIG. 4

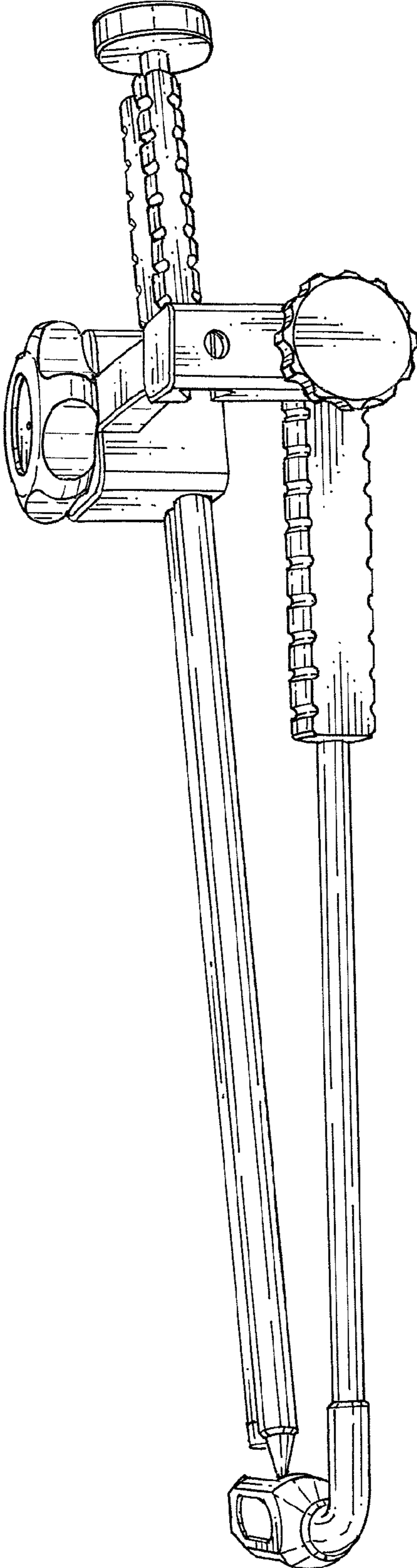


FIG. 5

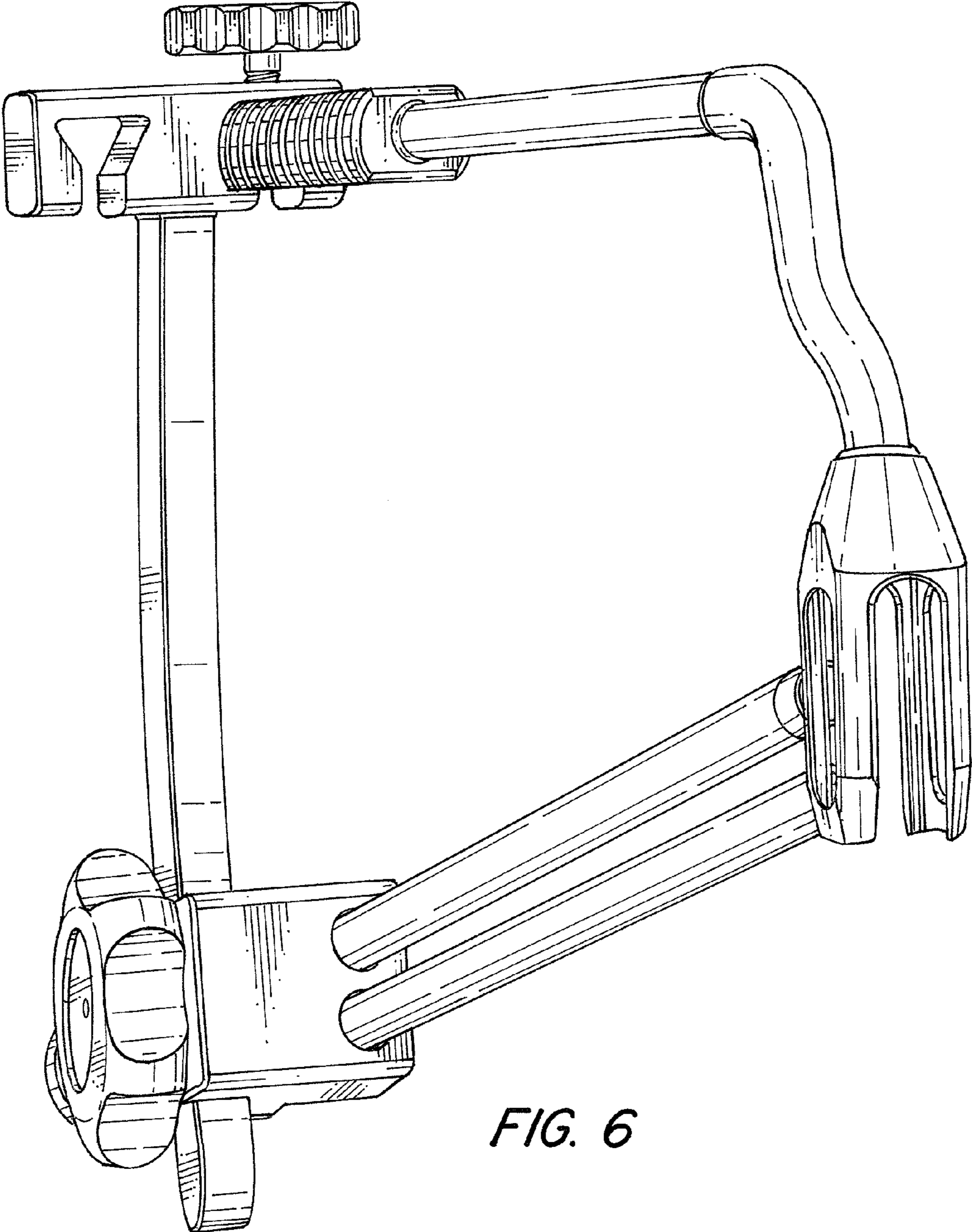


FIG. 6

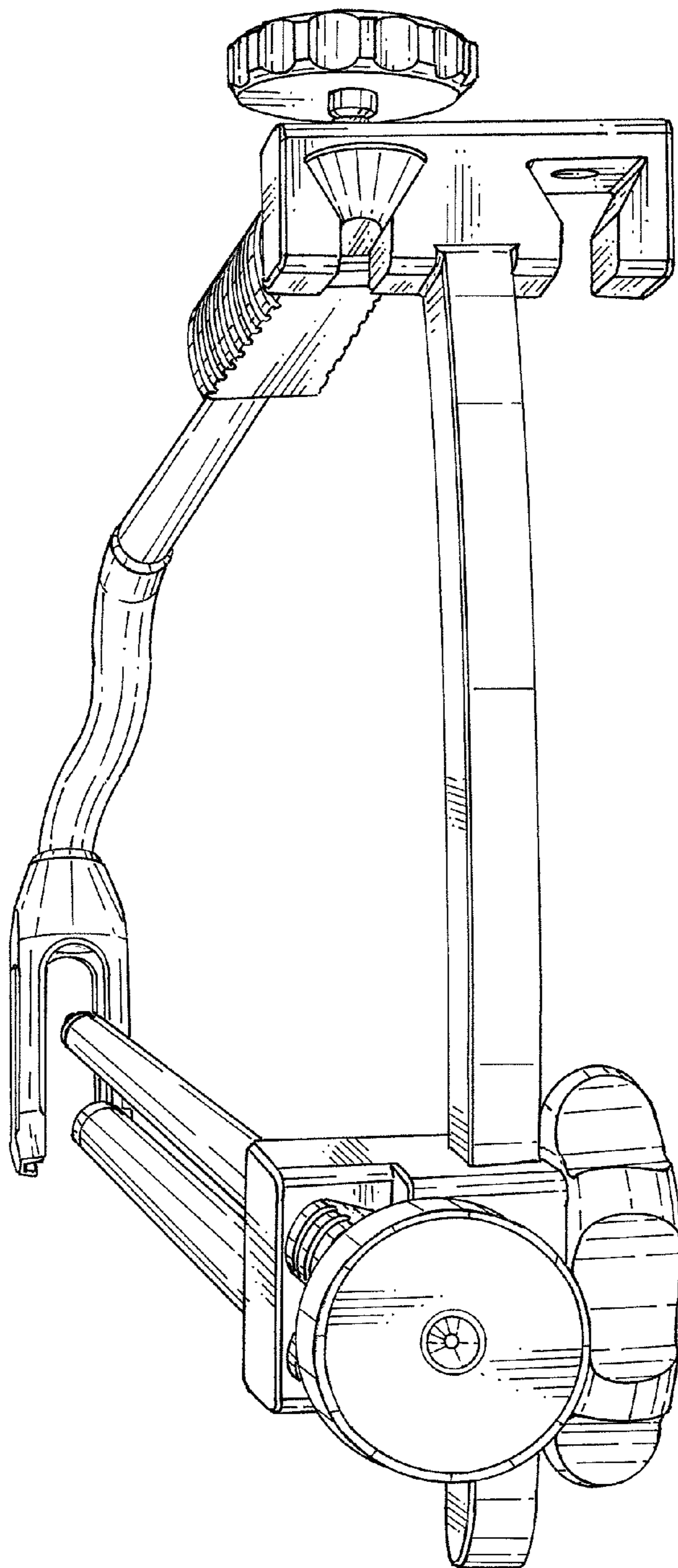


FIG. 7