



US00D662199S

(12) **United States Design Patent**
Anderson et al.

(10) **Patent No.:** **US D662,199 S**
(45) **Date of Patent:** **** Jun. 19, 2012**

(54) **MOUTHPIECE**

(75) Inventors: **Gregor John McLennan Anderson**,
Ware (GB); **Gary Thomas Crosby**,
Ware (GB); **Philip William Farr**, Ware
(GB); **Joseph Paul Marino**, Ware (GB);
Mark Digby Teucher, Bristol (GB);
James Anthony West, Bristol (GB)

(73) Assignee: **Glaxo Group Limited**, Greenford
Middlesex (GB)

(**) Term: **14 Years**

(21) Appl. No.: **29/322,977**

(22) Filed: **Aug. 15, 2008**

(51) **LOC (9) Cl.** **24-02**

(52) **U.S. Cl.** **D24/110**

(58) **Field of Classification Search** D24/108-110.5;
128/200.26, 207.14, 207.17

See application file for complete search history.

(56) **References Cited**

U.S. PATENT DOCUMENTS

D412,978	S *	8/1999	Cameron	D24/110
D433,502	S	11/2000	Rand		
D492,771	S *	7/2004	King et al.	D24/110.5
D492,994	S *	7/2004	King et al.	D24/110.5
D493,222	S *	7/2004	King et al.	D24/110.5
D543,273	S *	5/2007	Young et al.	D24/114
D560,793	S *	1/2008	Pearl et al.	D24/110
D591,856	S *	5/2009	Lulla et al.	D24/110
D596,739	S *	7/2009	Ng et al.	D24/110.1
7,726,314	B1 *	6/2010	Ming	128/206.12

FOREIGN PATENT DOCUMENTS

EM 000688023-0001 5/2007

(Continued)

OTHER PUBLICATIONS

U.S. Appl. No. 29/277,858, filed Mar. 12, 2007.

(Continued)

Primary Examiner — Ian Simmons

Assistant Examiner — Charles Hanson

(74) *Attorney, Agent, or Firm* — James P. Risk

(57) **CLAIM**

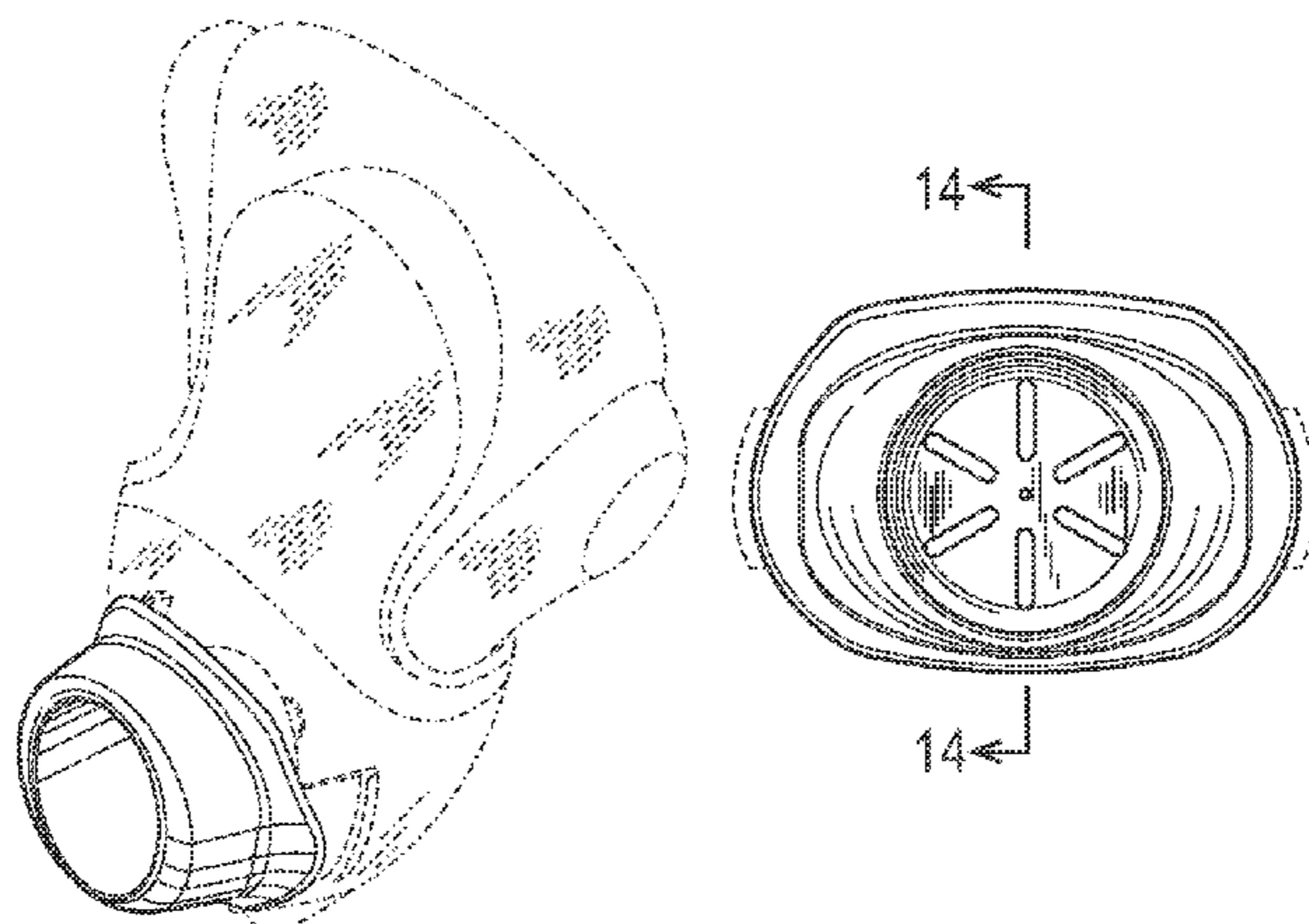
The ornamental design for a mouthpiece, as shown and described.

DESCRIPTION

FIG. 1 is a front perspective view of a first embodiment of the mouthpiece showing my new design; FIG. 2 is front view thereof; FIG. 3 is rear view thereof; FIG. 4 is a view of one side thereof; FIG. 5 is a plan view thereof; FIG. 6 is a sectional view along line 6-6 of FIG. 2; FIG. 7 is a rear perspective view thereof; FIG. 8 is a view of the opposite side thereof; FIG. 9 is an underneath plan view thereof; FIG. 10 is a front view thereof; FIG. 11 is rear view thereof; FIG. 12 is a side view thereof; FIG. 13 is a plan view thereof; FIG. 14 is a sectional view on line 14-14 of FIG. 10; FIG. 15 is a rear perspective view thereof; FIG. 16 is a front perspective view thereof; FIG. 17 is an opposite side view thereof; FIG. 18 is an underneath plan view thereof; FIG. 19 is a front perspective view of a second embodiment of a mouthpiece showing my new design; FIG. 20 is front view thereof; FIG. 21 is rear view thereof; FIG. 22 is a view of one side thereof; FIG. 23 is a plan view thereof; FIG. 24 is a sectional view along line 24-24 of FIG. 20; FIG. 25 is a rear perspective view thereof; FIG. 26 is a view of the opposite side thereof; FIG. 27 is an underneath plan view thereof; FIG. 28 is front view thereof; FIG. 29 is rear view thereof; FIG. 30 is a side view thereof; FIG. 31 is a plan view thereof; FIG. 32 is a sectional view on line 32-32 of FIG. 28; FIG. 33 is a rear perspective view thereof; FIG. 34 is a front perspective view thereof; FIG. 35 is an opposite side view thereof; and, FIG. 36 is an underneath plan view thereof.

The broken lines in the drawings are included for the purpose of illustrating environment and form no part of the claimed design.

1 Claim, 10 Drawing Sheets



US D662,199 S

Page 2

FOREIGN PATENT DOCUMENTS

EM	000688023-0002	5/2007
EM	000688023-0003	5/2007
EM	000688023-0004	5/2007
EM	000688023-0005	5/2007
EM	000688023-0006	5/2007
EM	000688023-0007	5/2007
EM	000688023-0008	5/2007
EM	000688023-0009	5/2007
EM	000688023-0010	5/2007
EM	000688023-0011	5/2007
EM	000688023-0012	5/2007
EM	000688023-0013	5/2007
EM	000688023-0014	5/2007
EM	000688023-0015	5/2007
EM	000688023-0016	5/2007
EM	000688023-0017	5/2007
EM	000688023-0018	5/2007
EM	000688023-0019	5/2007
EM	000688023-0020	5/2007
EM	000688023-0021	5/2007
EM	000688023-0022	5/2007
EM	000688023-0023	5/2007

EM	000688023-0024	5/2007
EM	000688023-0025	5/2007
EM	000688023-0026	5/2007
EM	000688023-0027	5/2007
EM	000688023-0028	5/2007
JP	D1296192	3/2007
JP	D1296193	3/2007
KR	3001971220000	4/1997
KR	3003630260001	9/2004
TW	433889	2/1989
TW	500591	12/2001
TW	495327	11/2002
TW	495328	11/2002
TW	D111283	7/2004
TW	D122108	9/2006
WO	2006097745 A1	9/2006
WO	2007028992 A1	3/2007
WO	2008023019 A2	2/2008

OTHER PUBLICATIONS

U.S. Appl. No. 12/377,412, filed Feb. 13, 2009.

* cited by examiner

FIG. 1

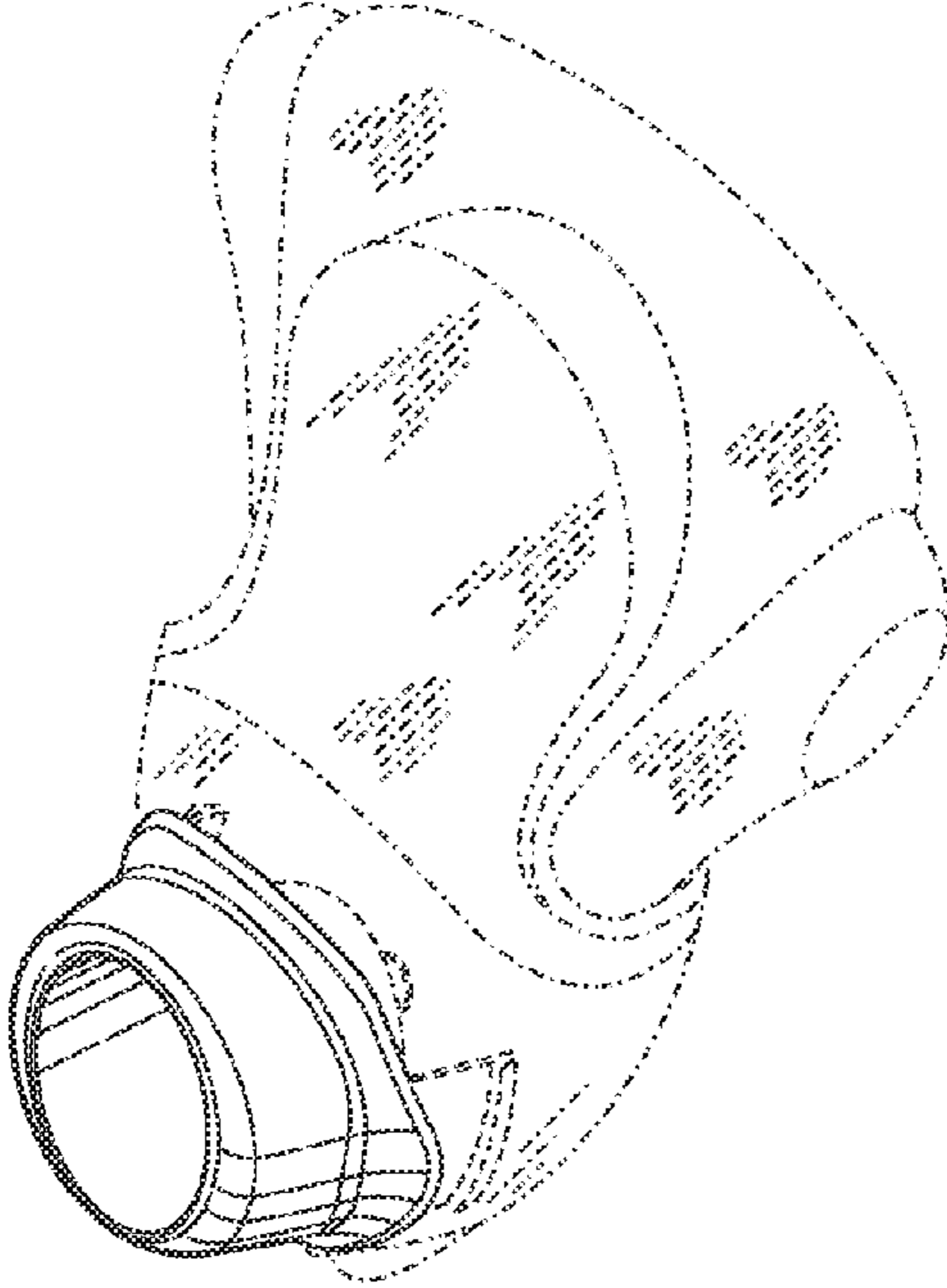


FIG. 2

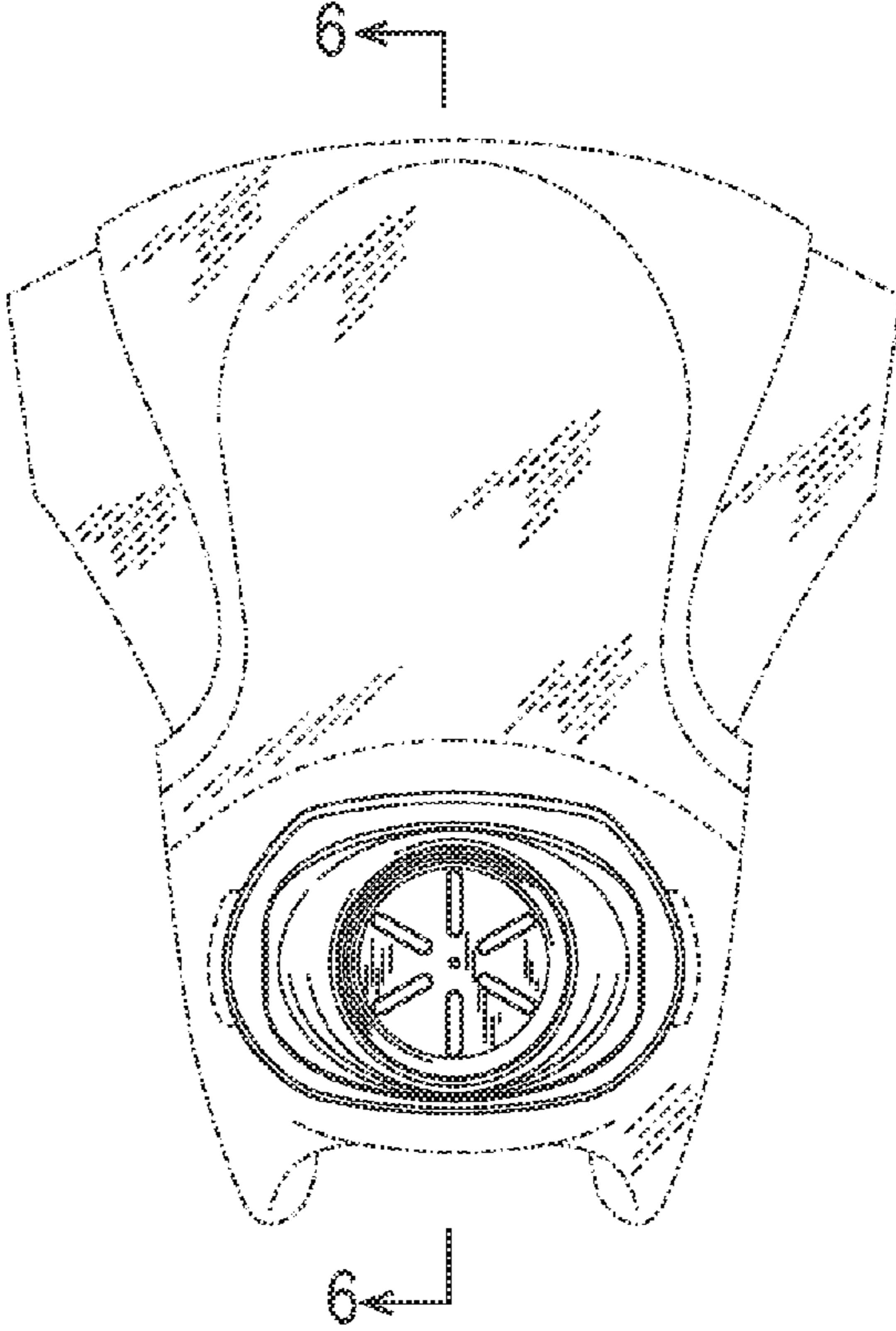


FIG. 3

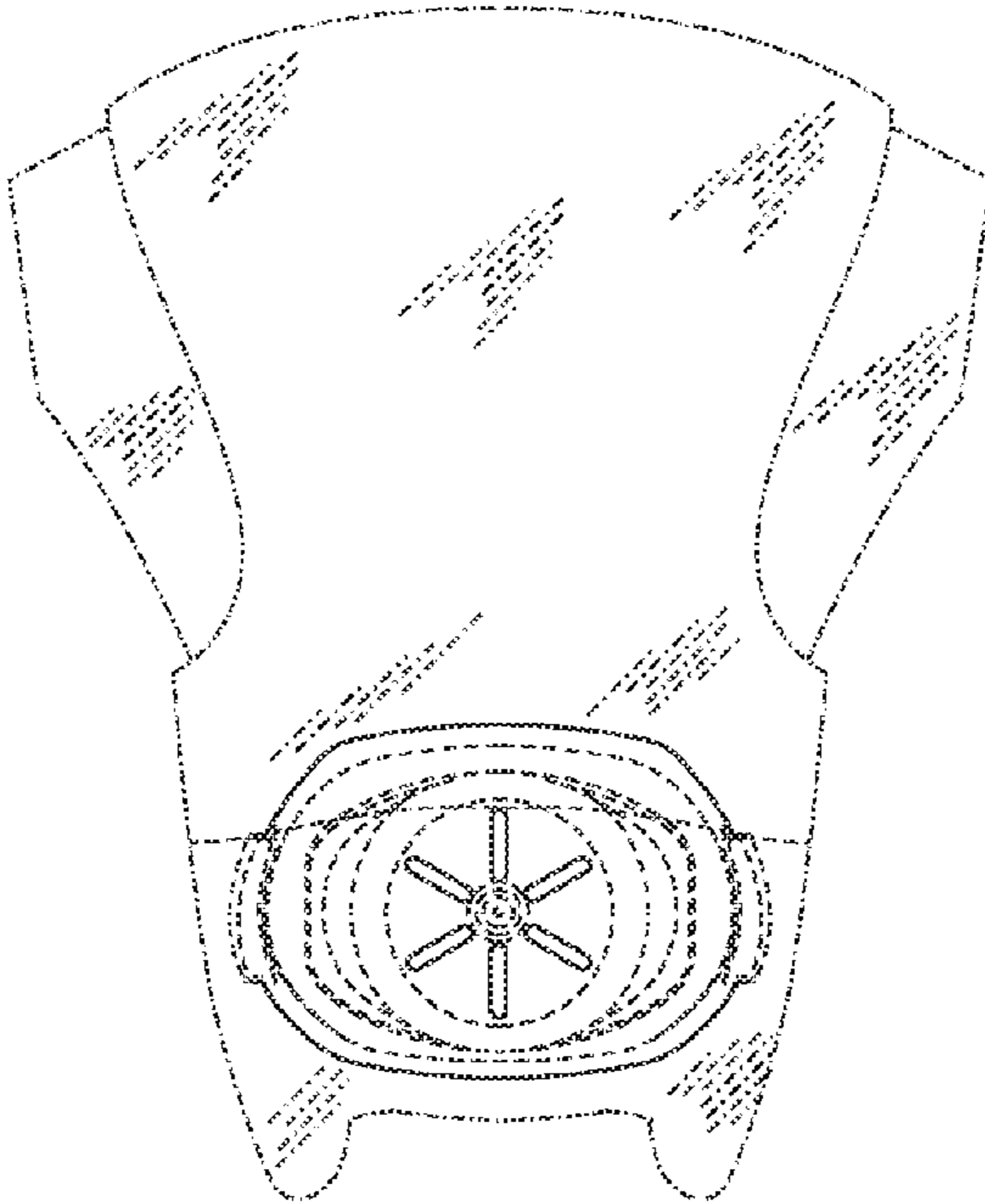


FIG. 4

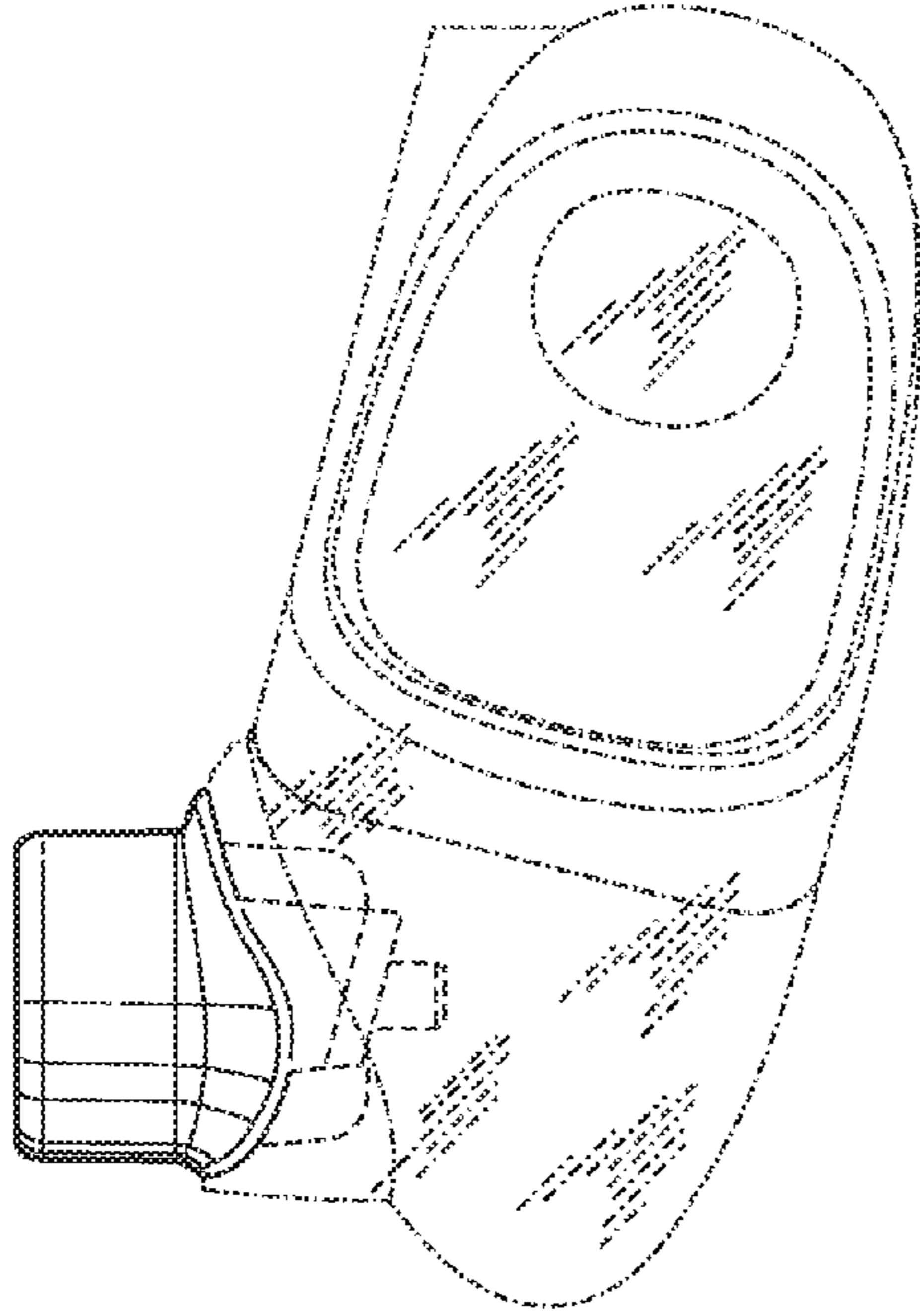


FIG. 5

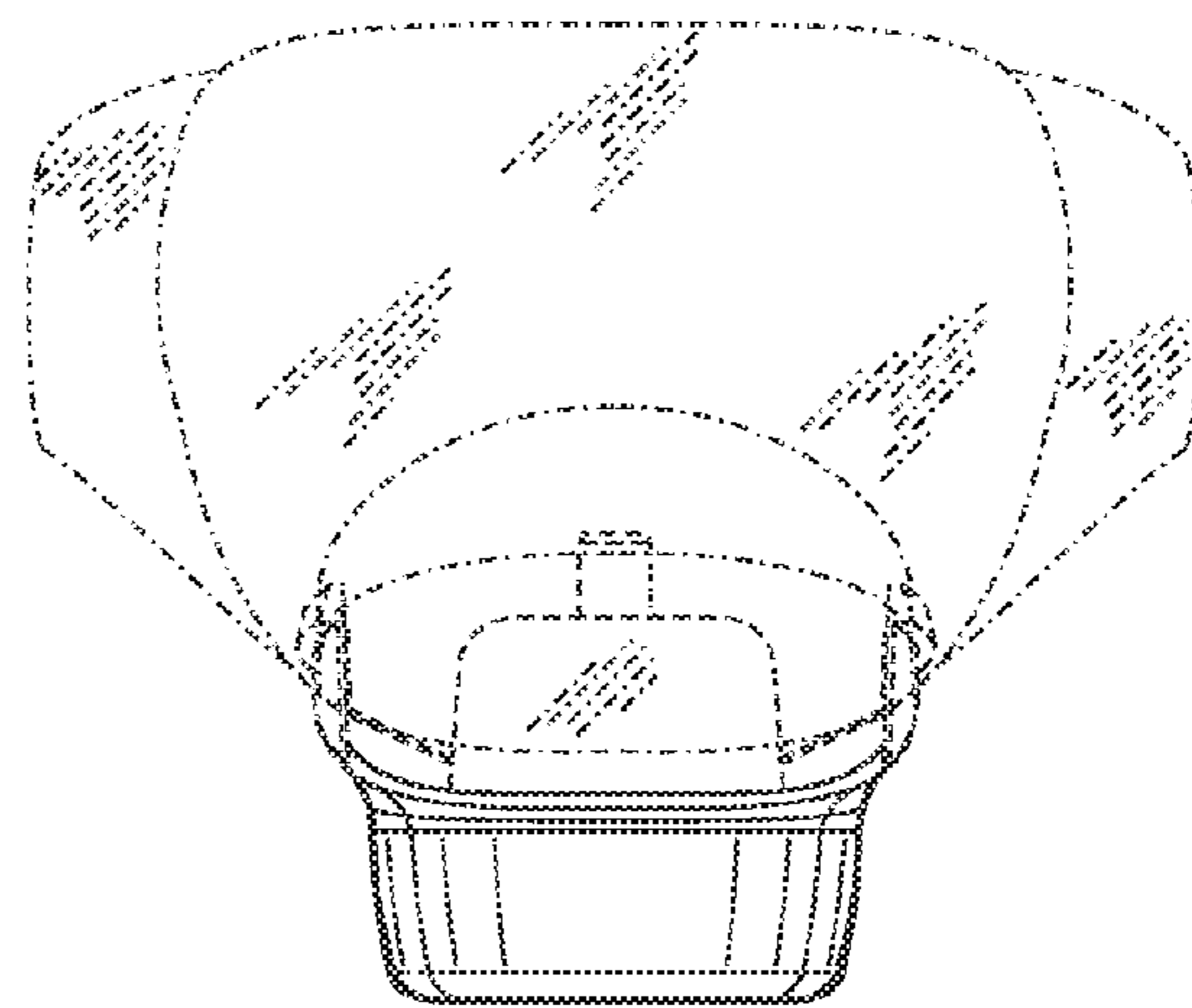


FIG. 6

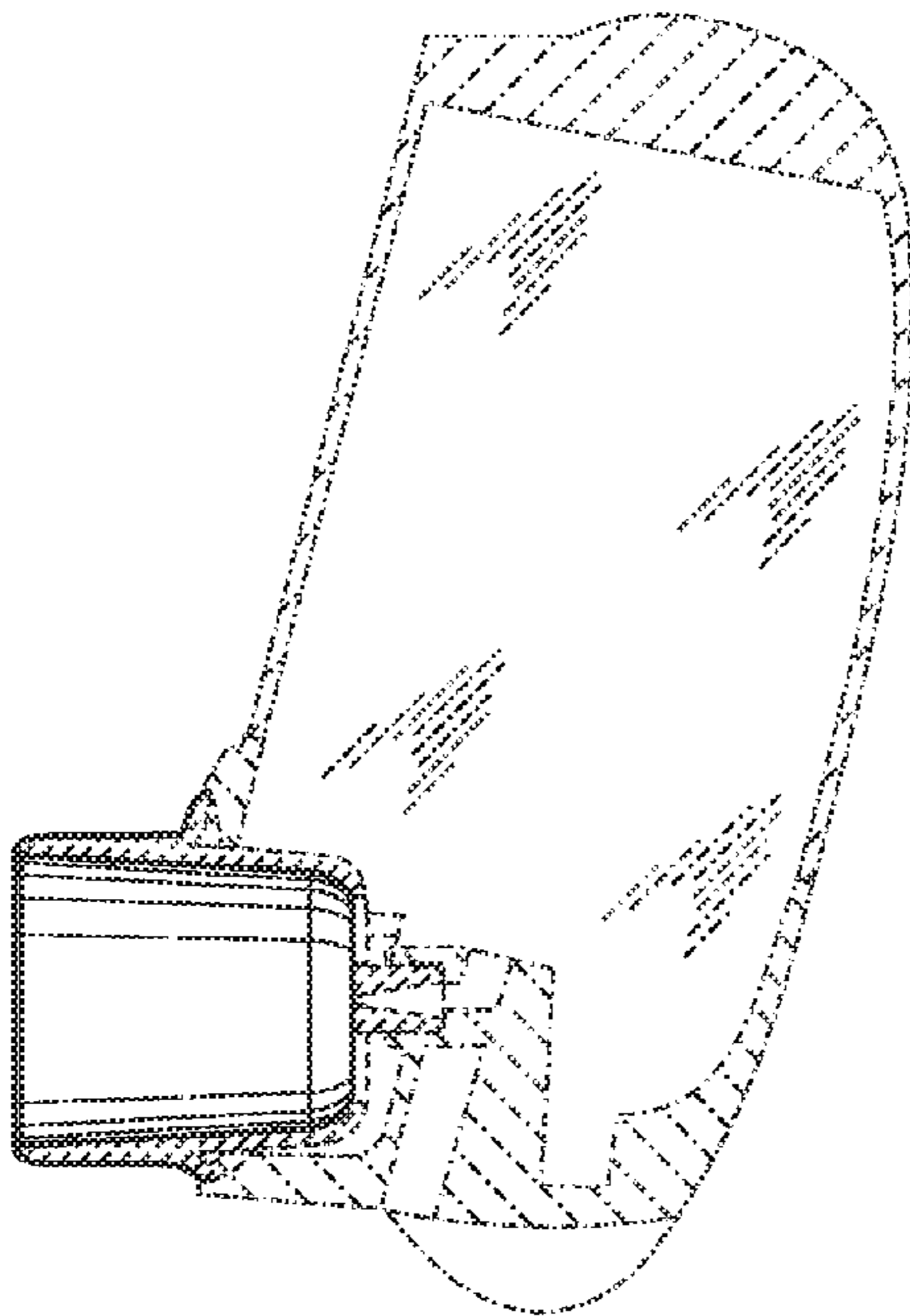


FIG. 7

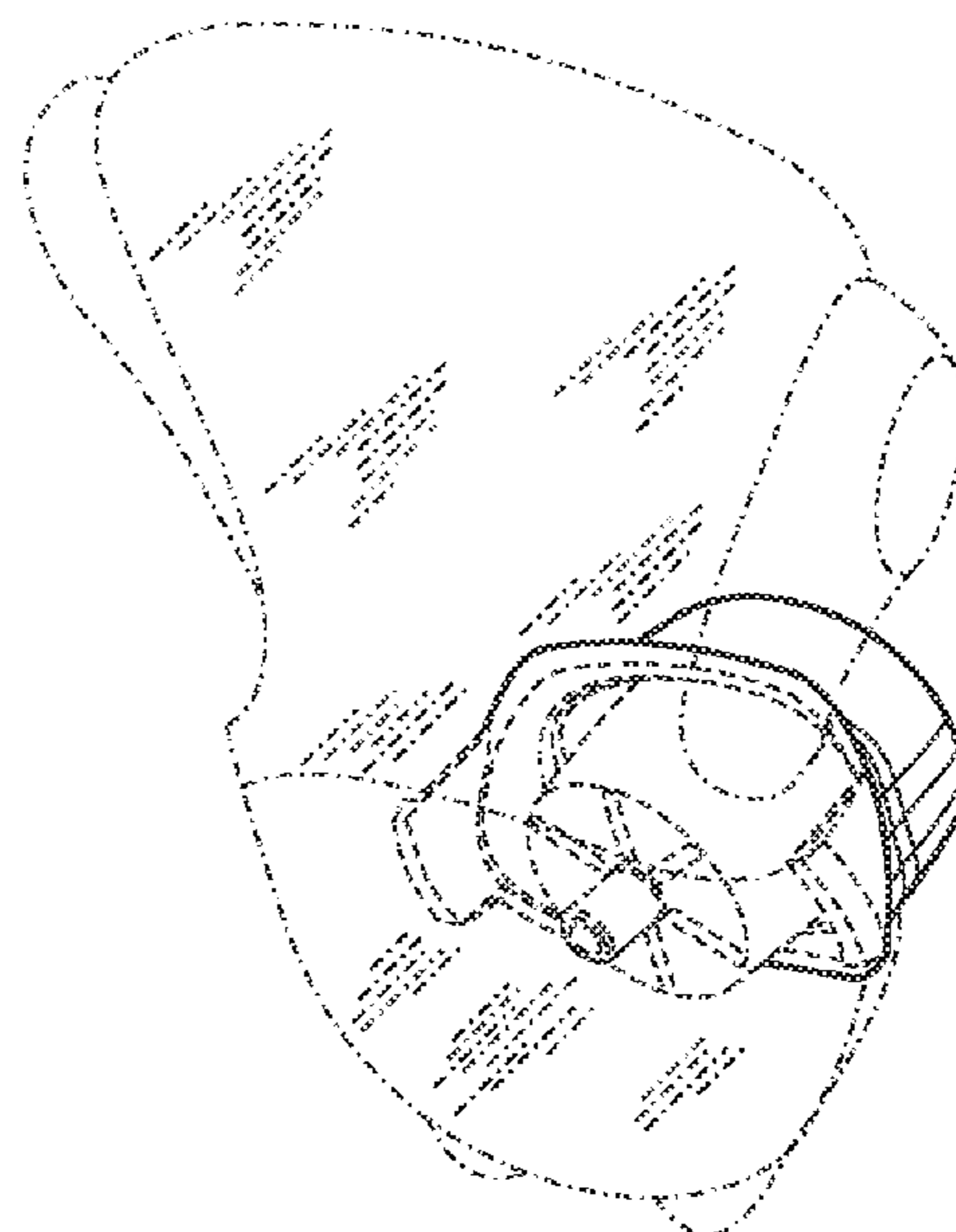


FIG. 8

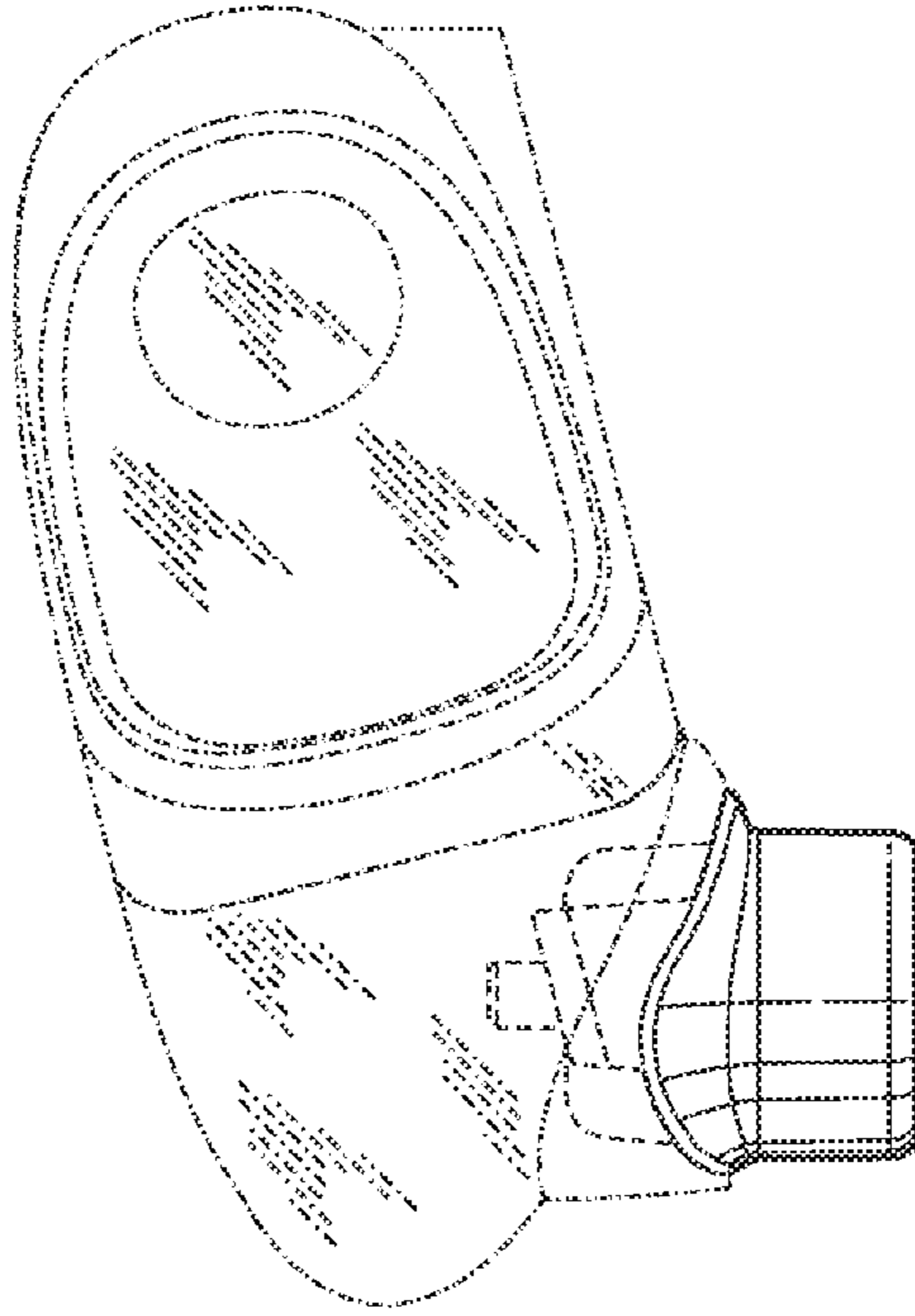


FIG. 9

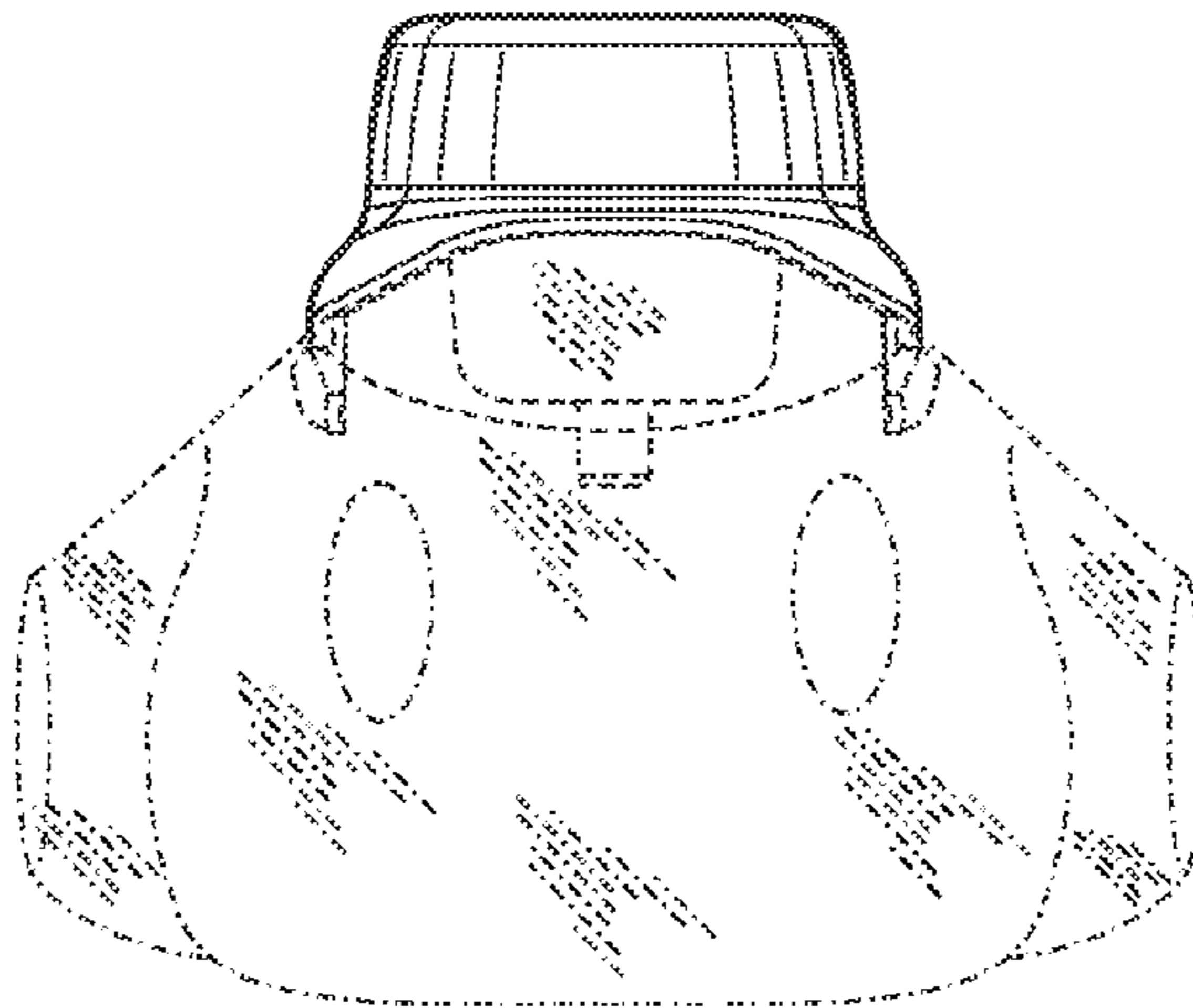


FIG. 10

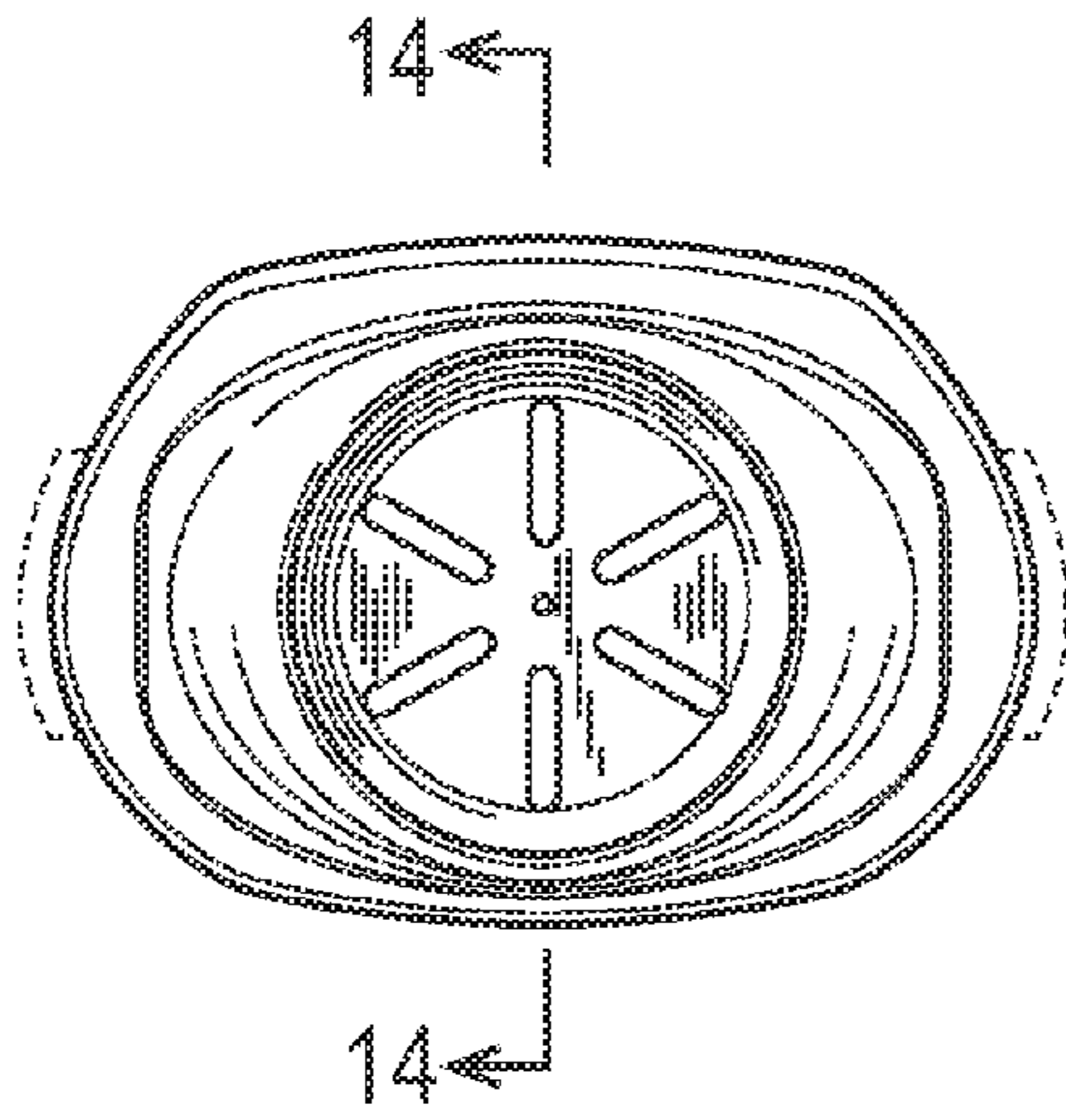


FIG. 11

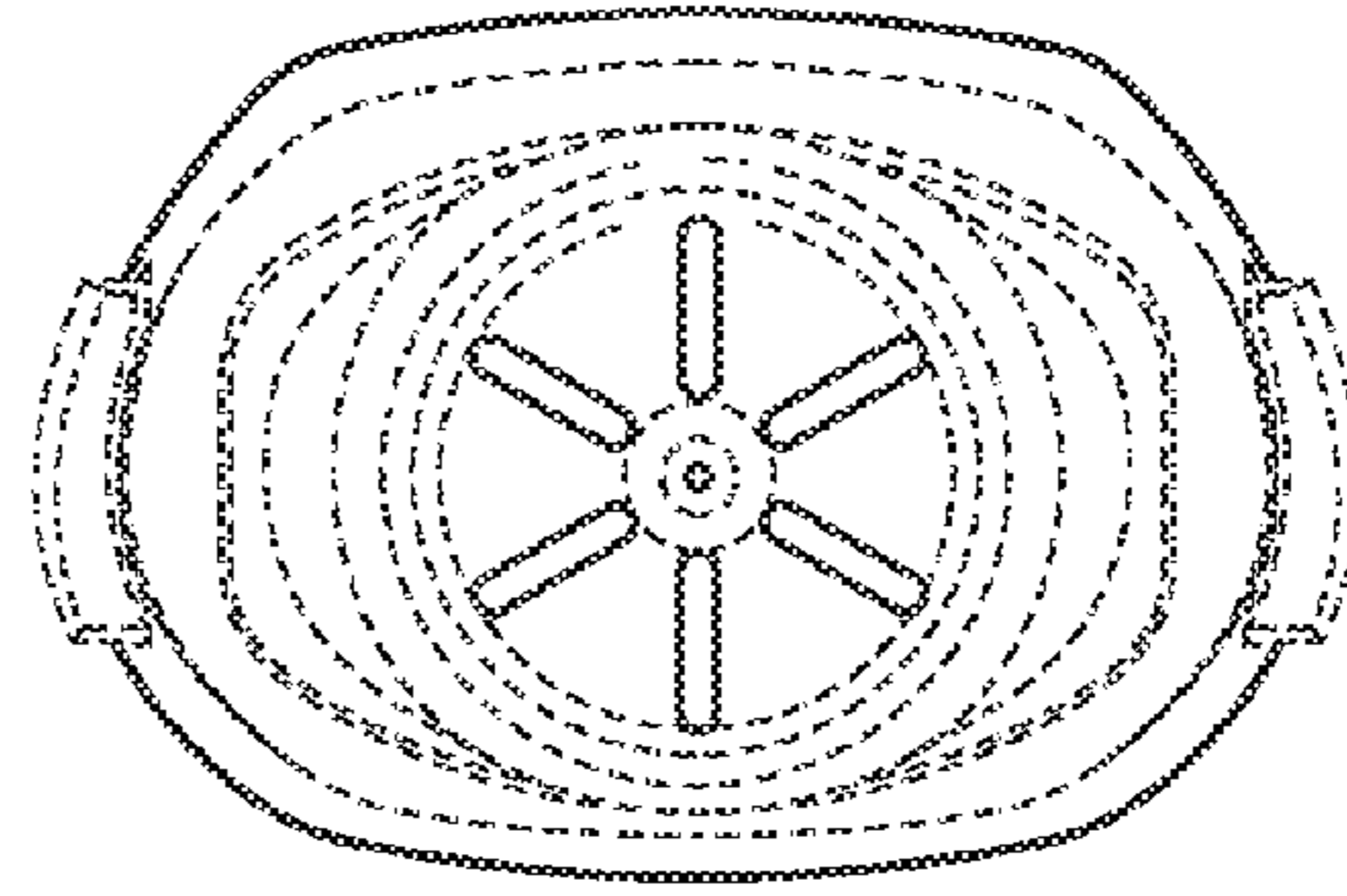


FIG. 12

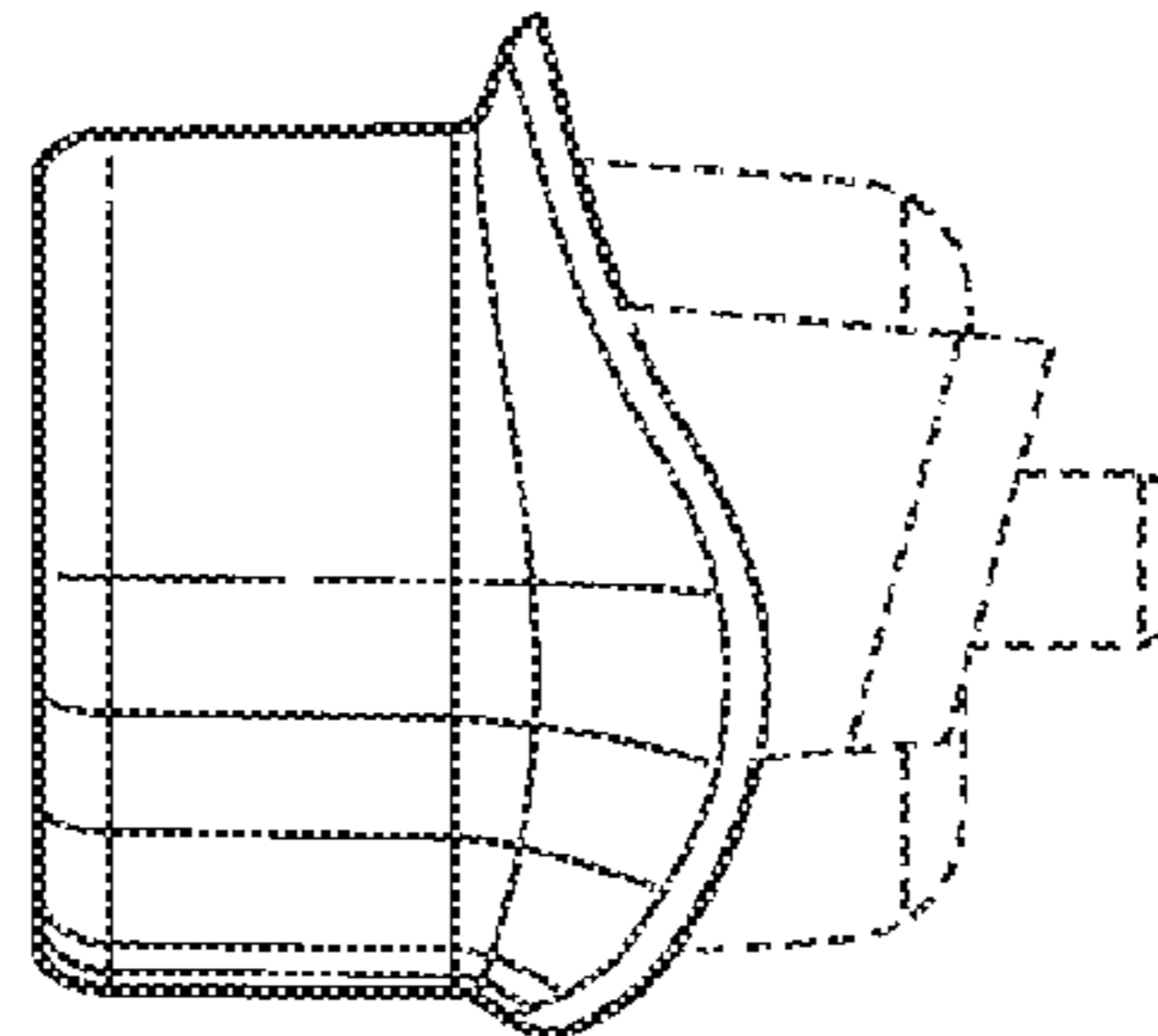


FIG. 13

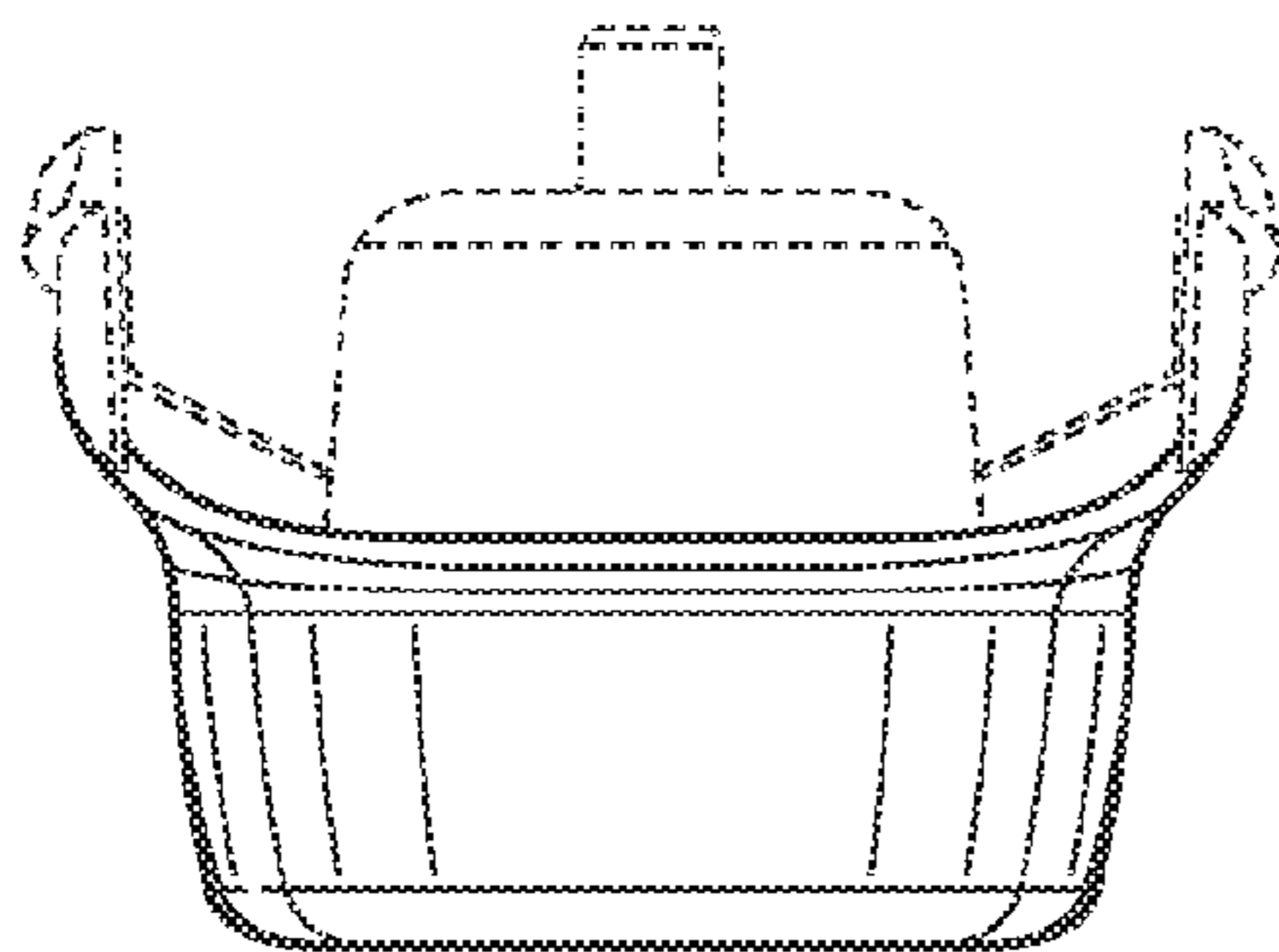


FIG. 14

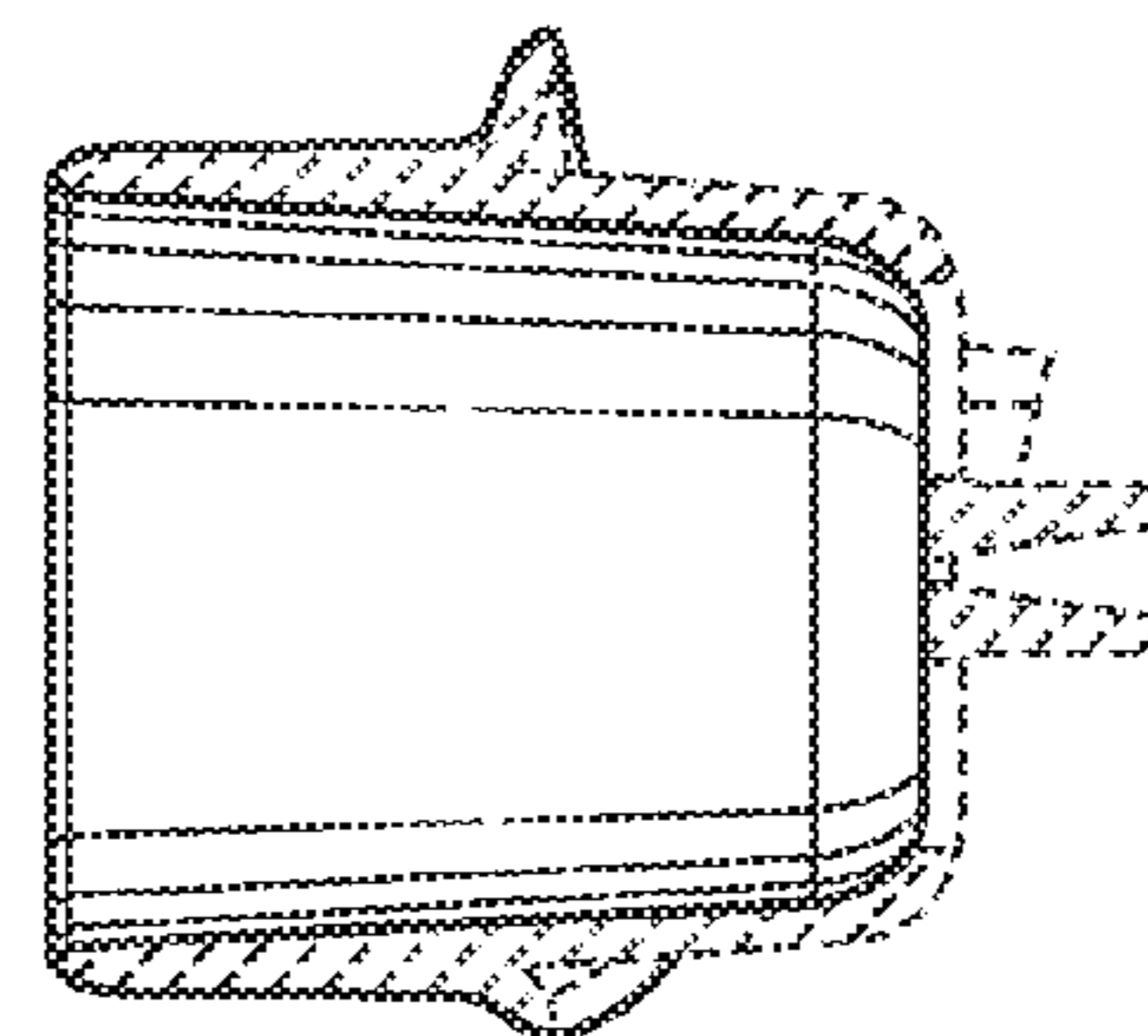


FIG. 15

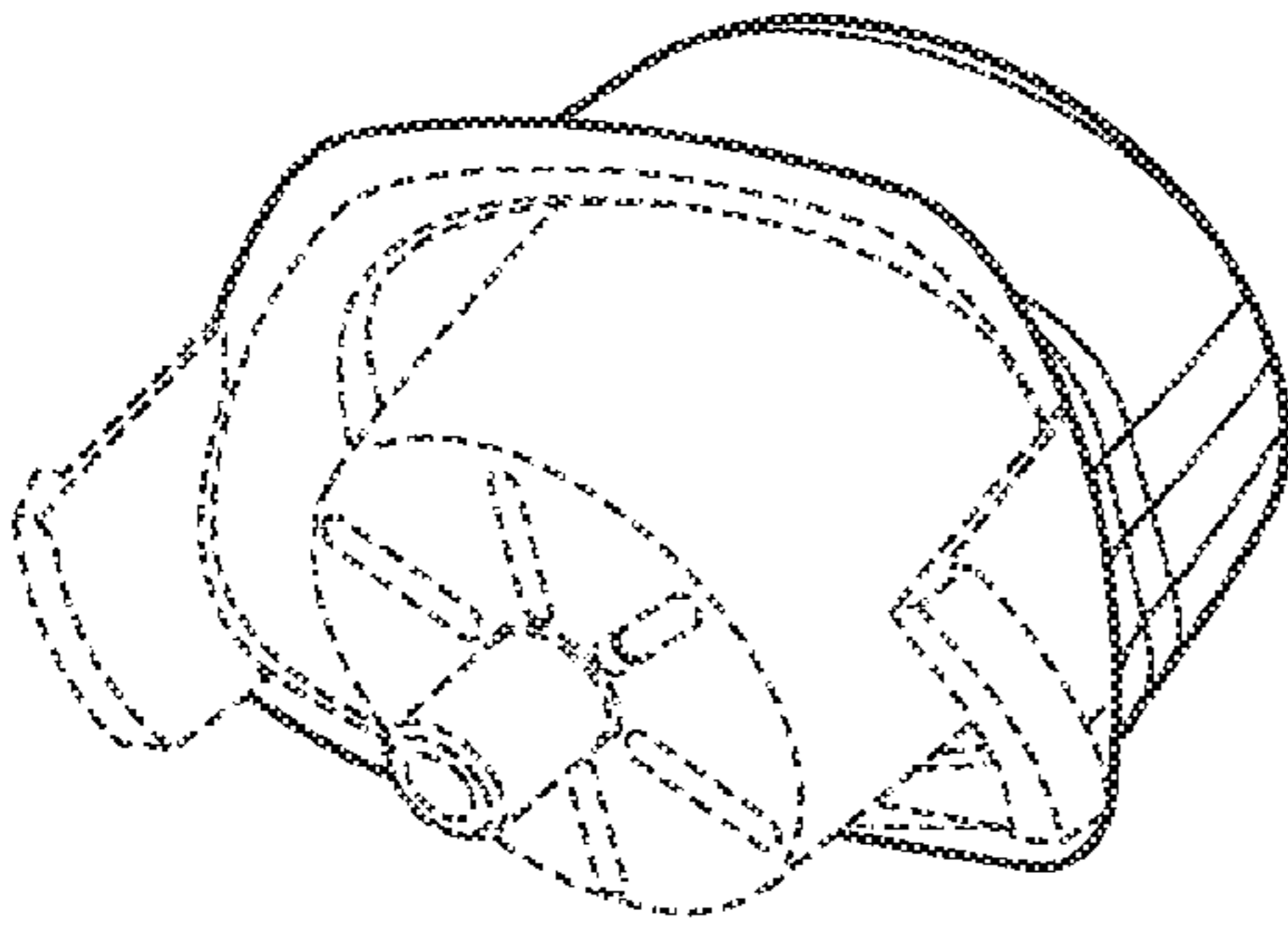


FIG. 16

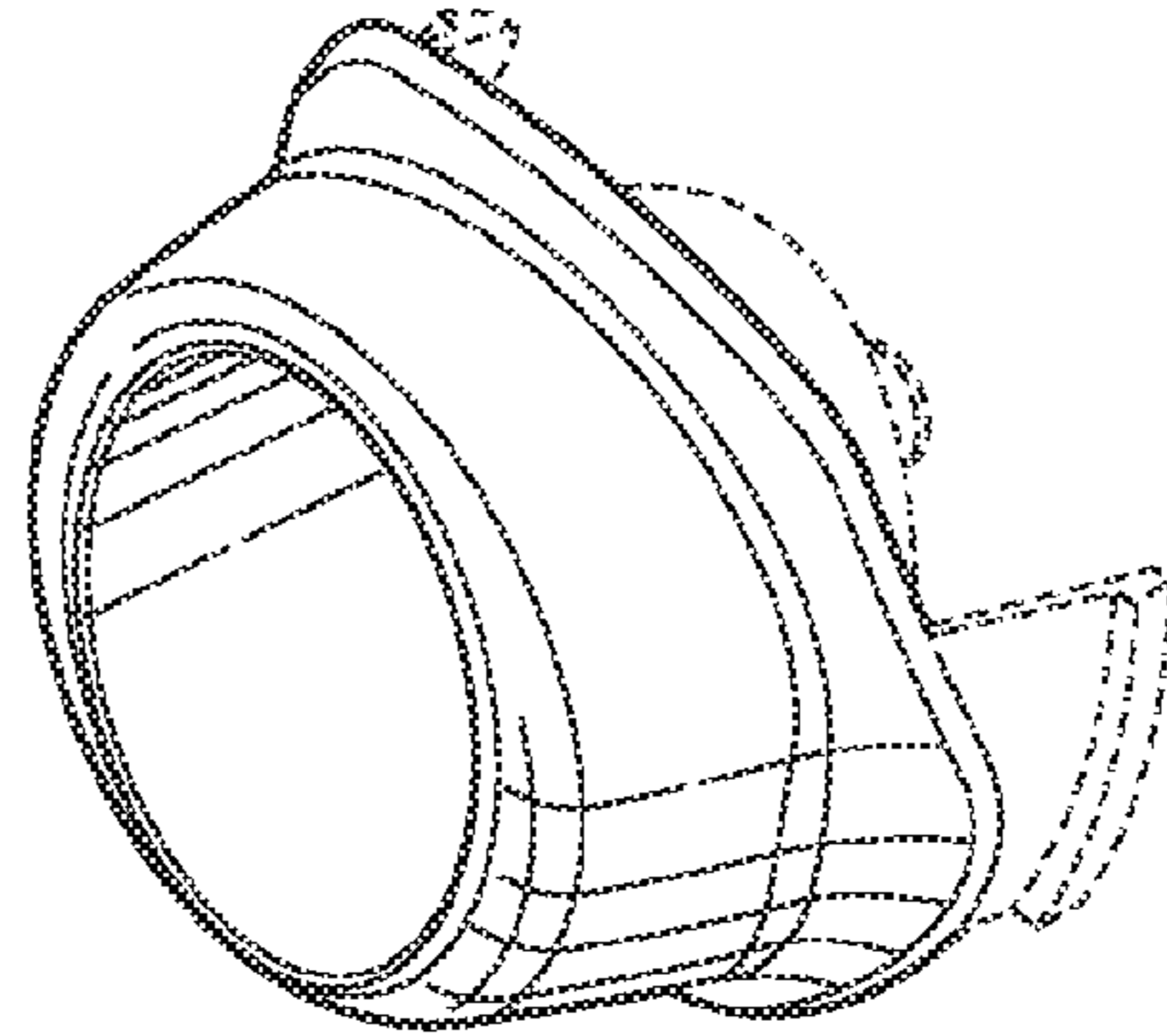


FIG. 17

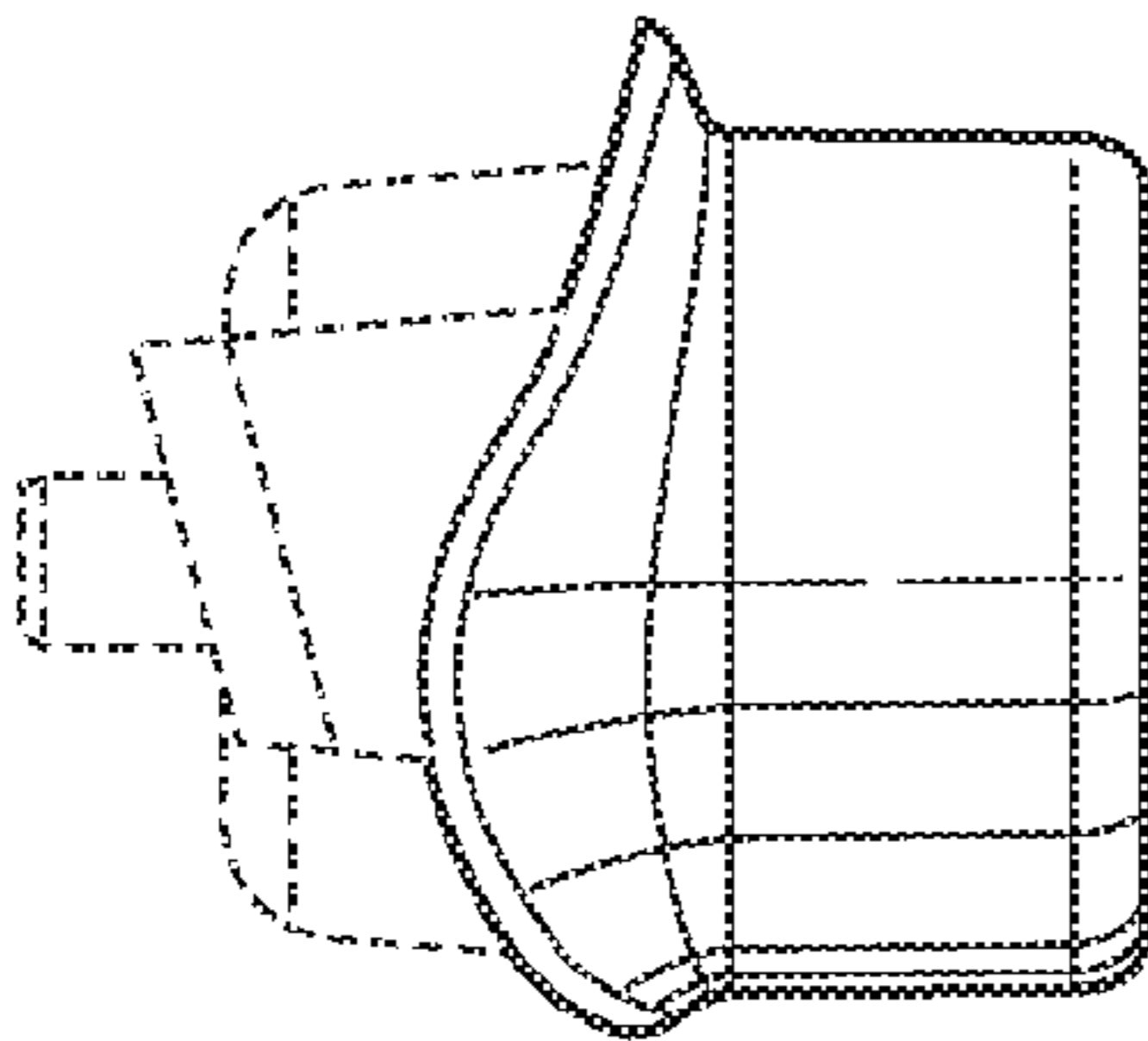


FIG. 18

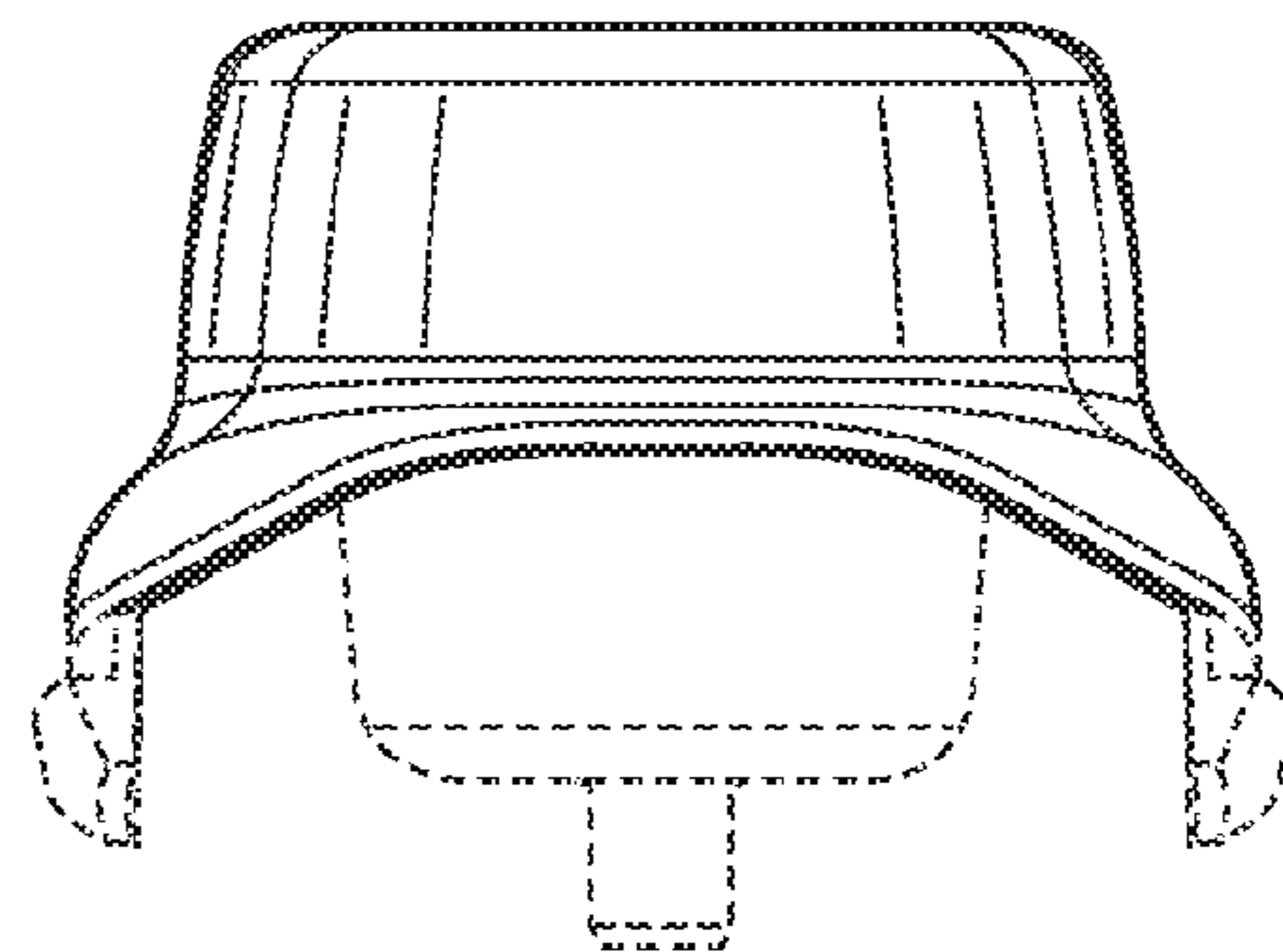


FIG. 19

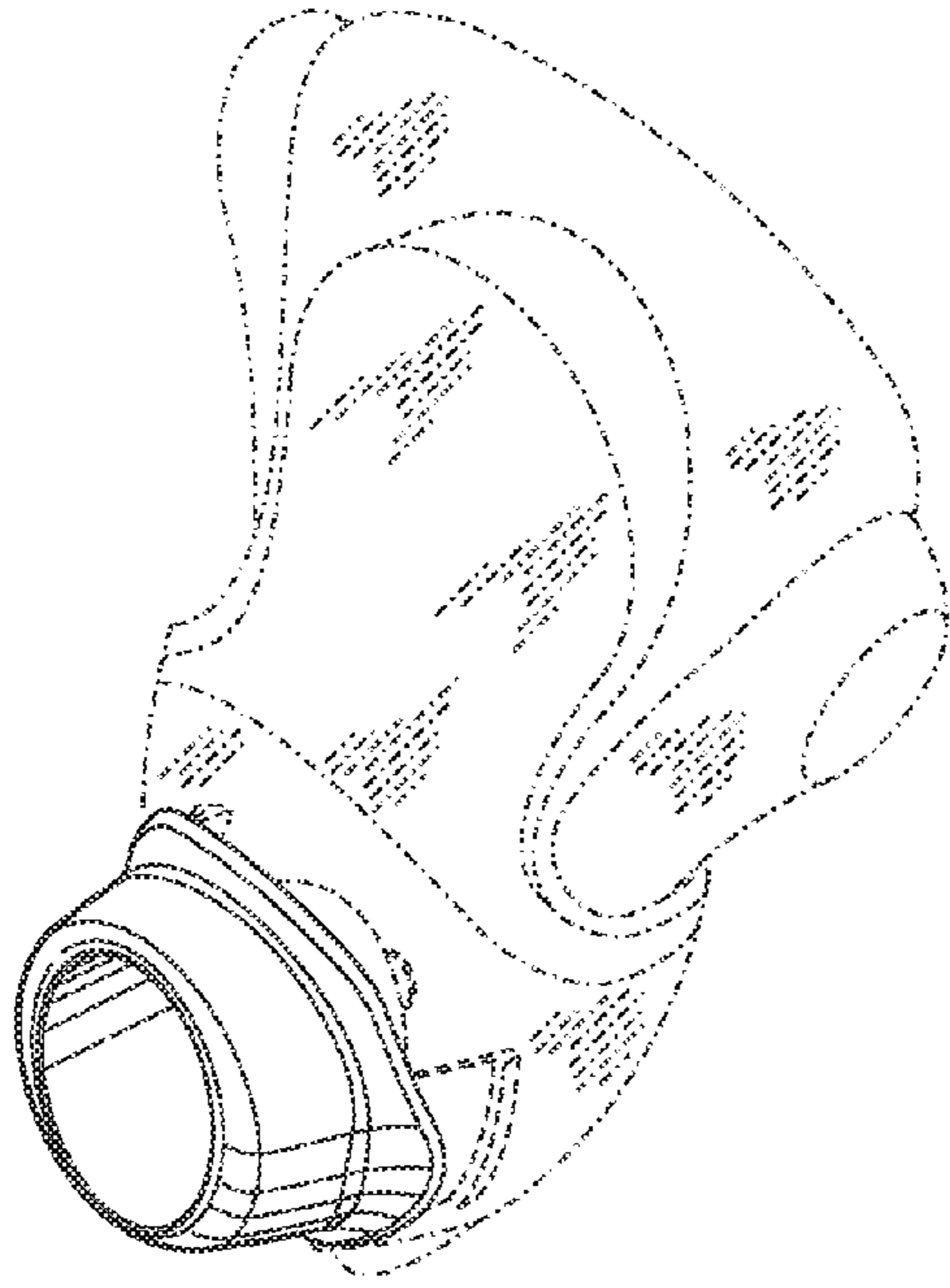


FIG. 20

24 ←

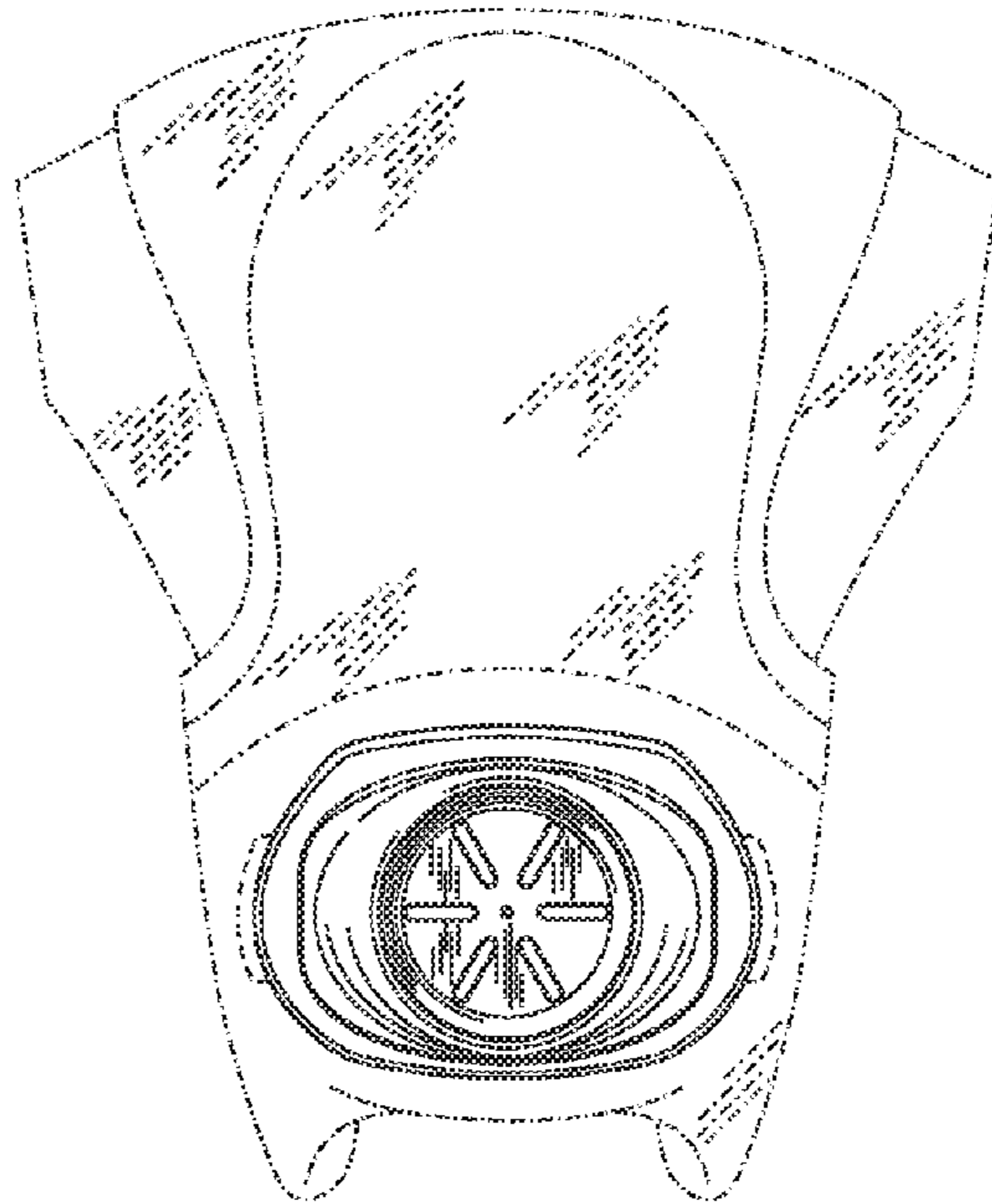


FIG. 21

24 ←

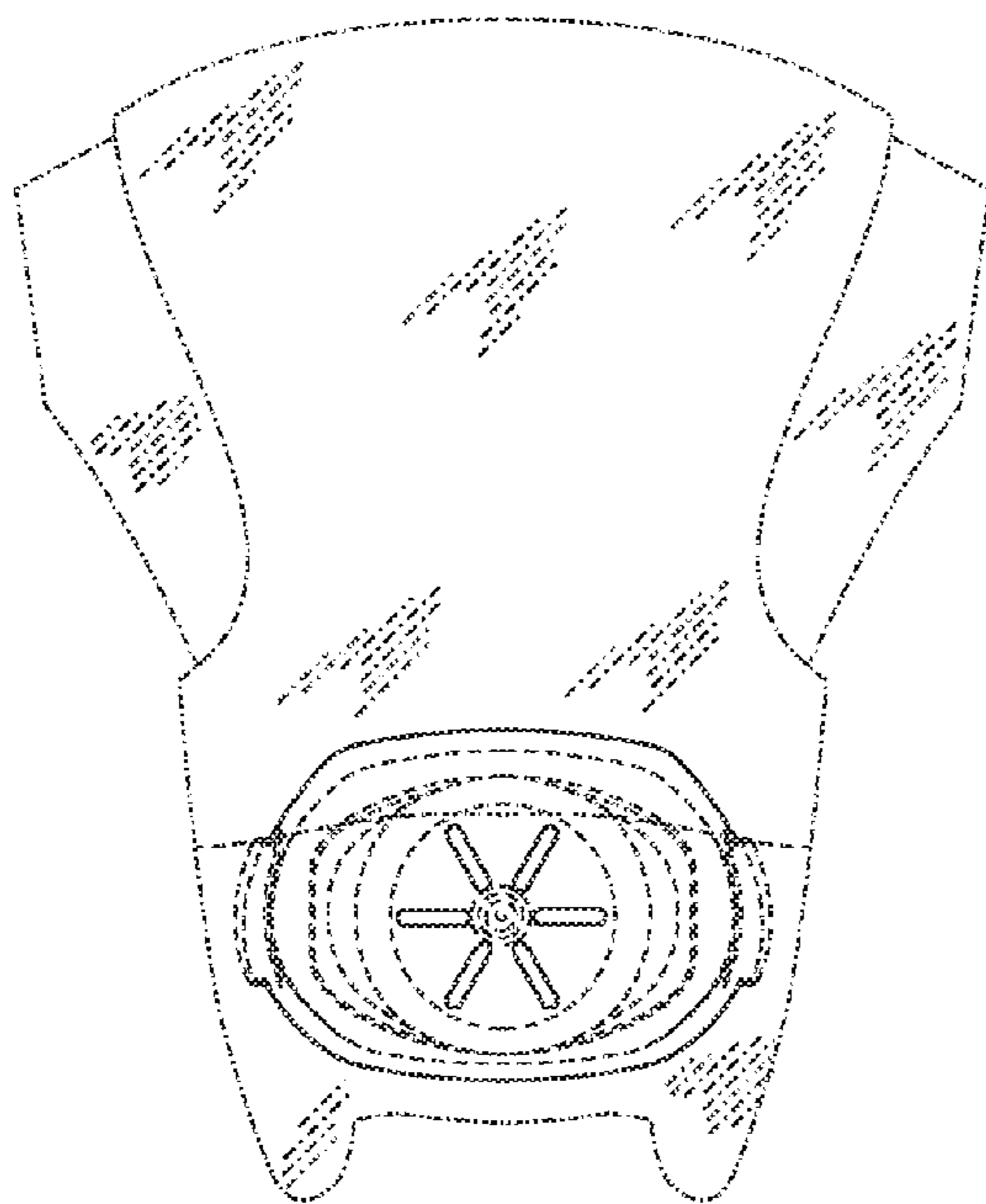


FIG. 22

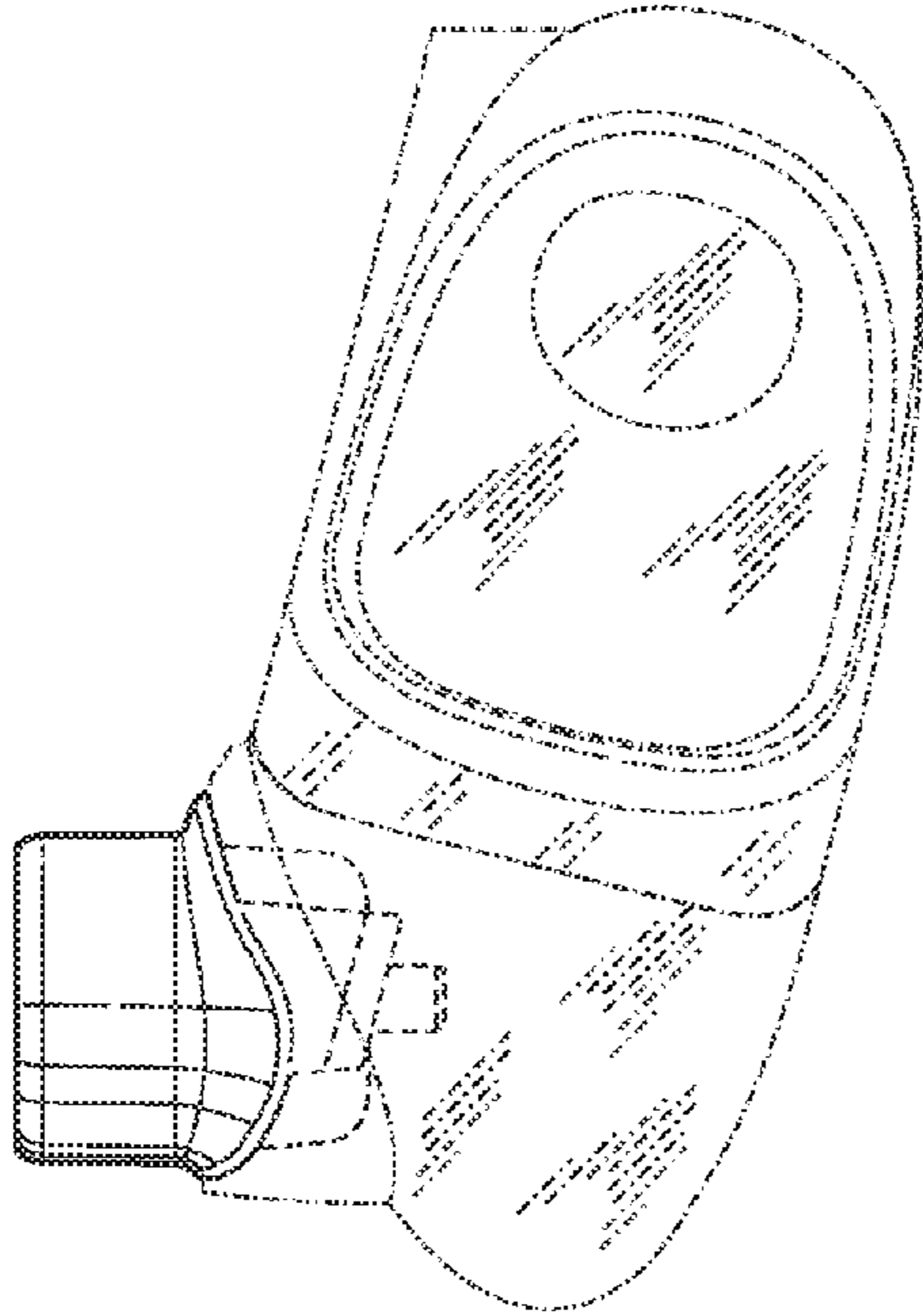


FIG. 23

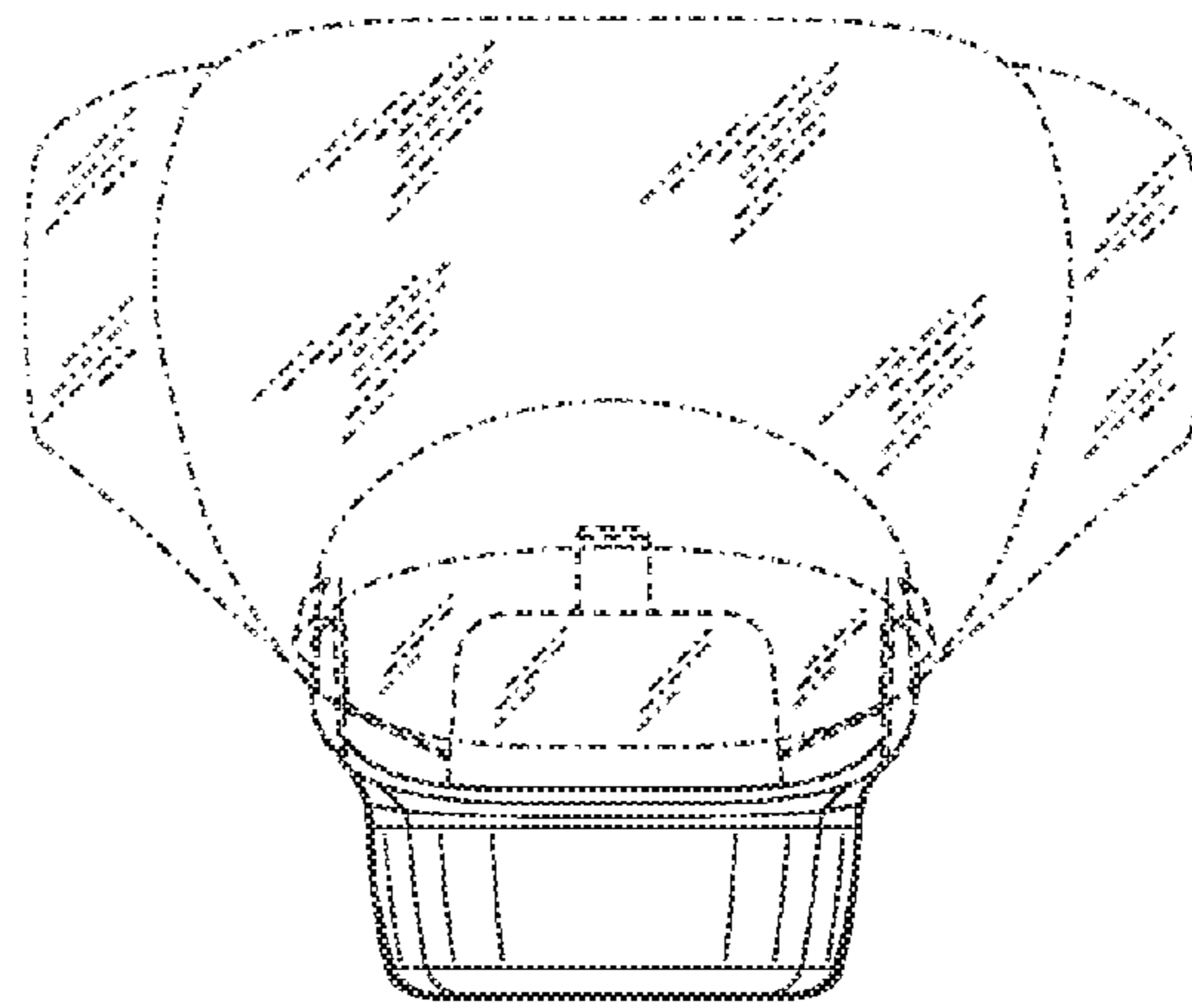


FIG. 24

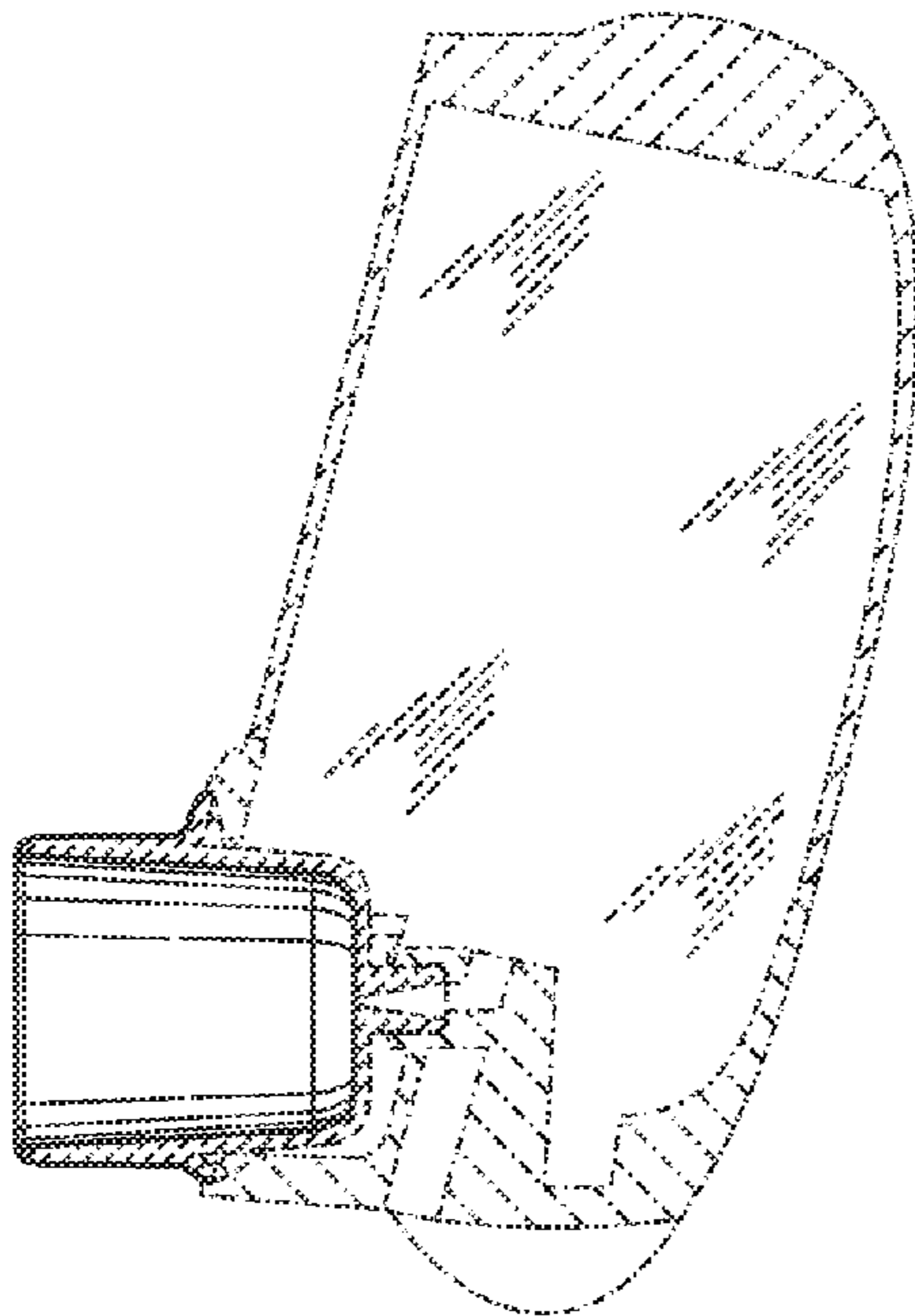


FIG. 25

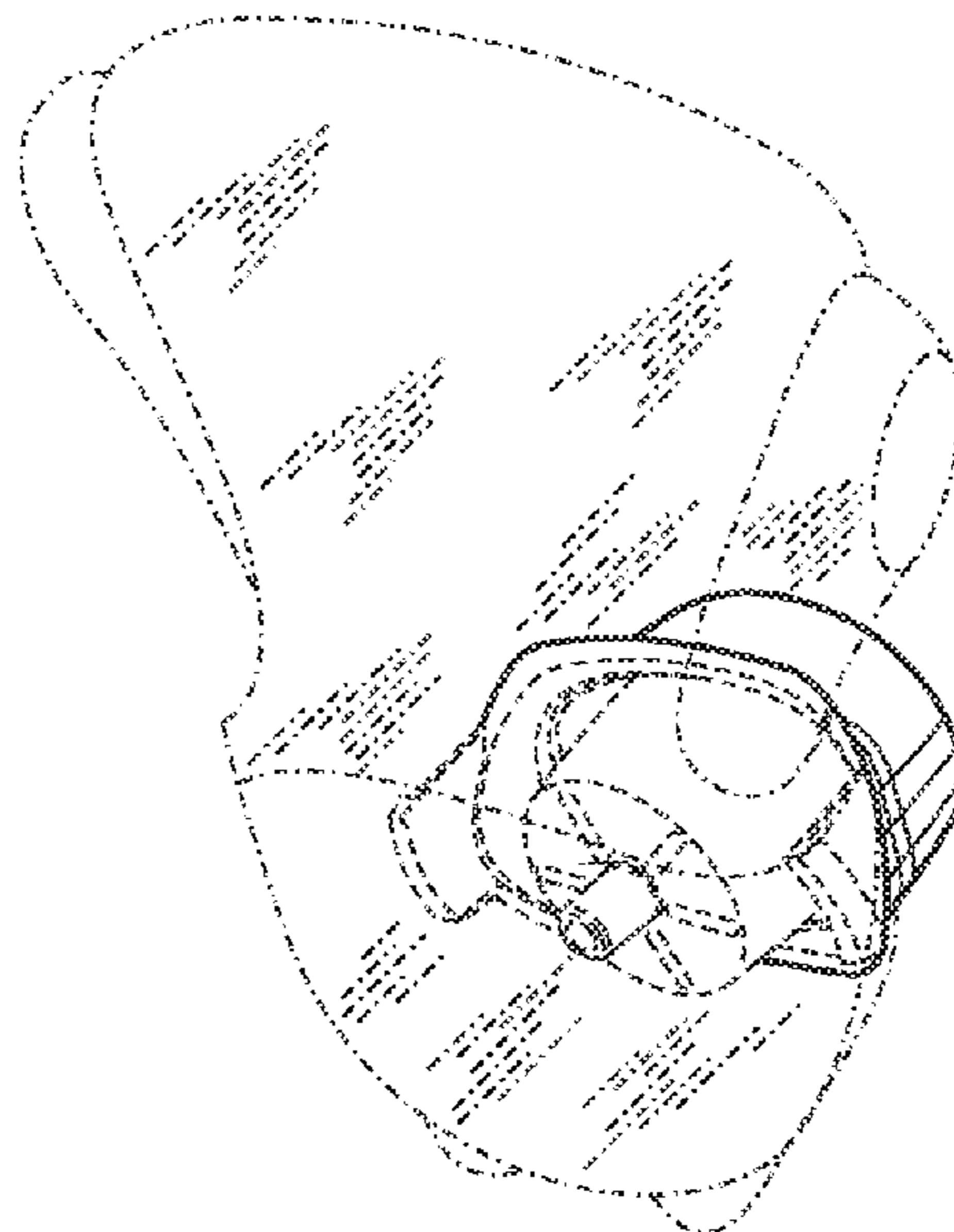


FIG. 26

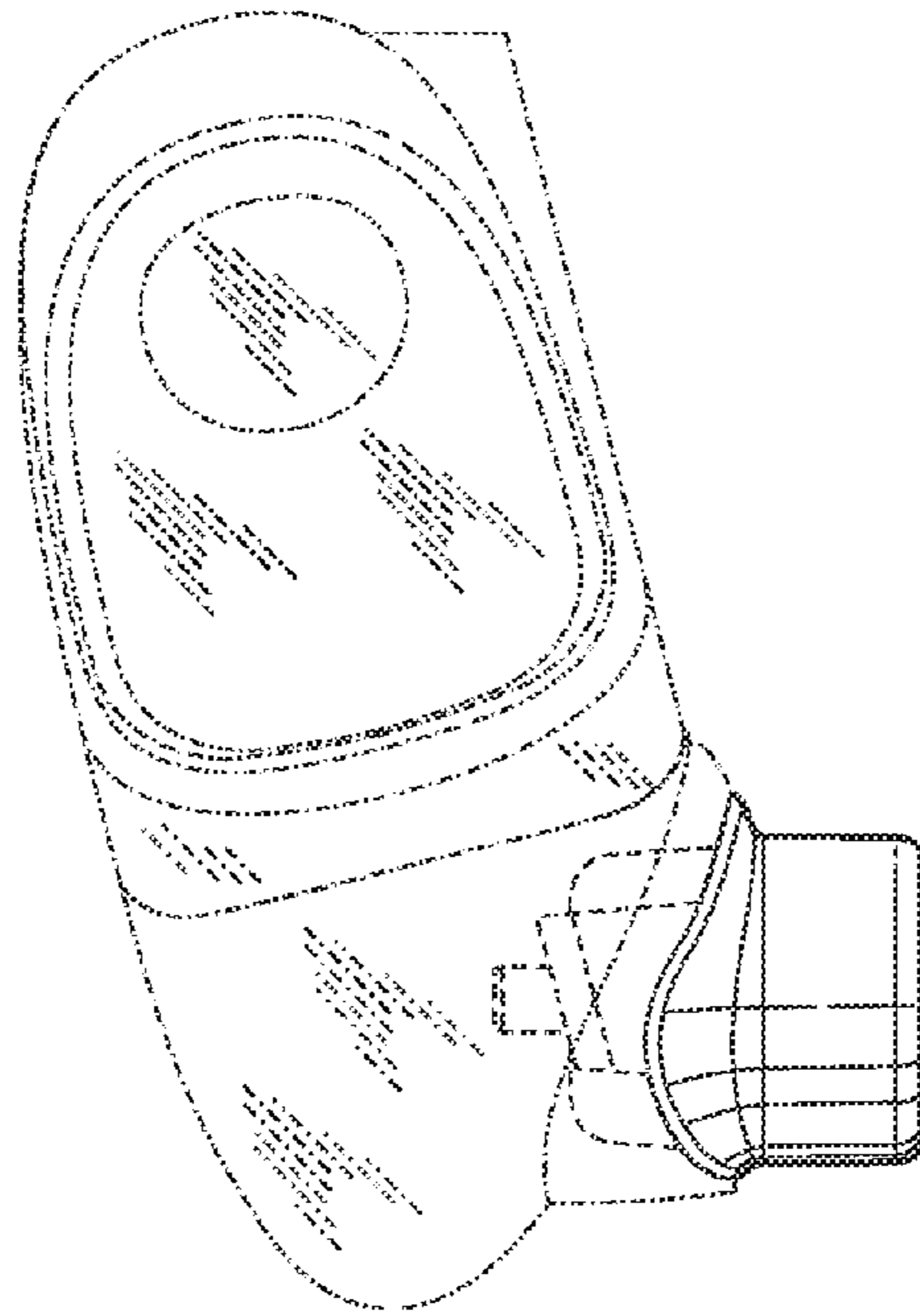


FIG. 27

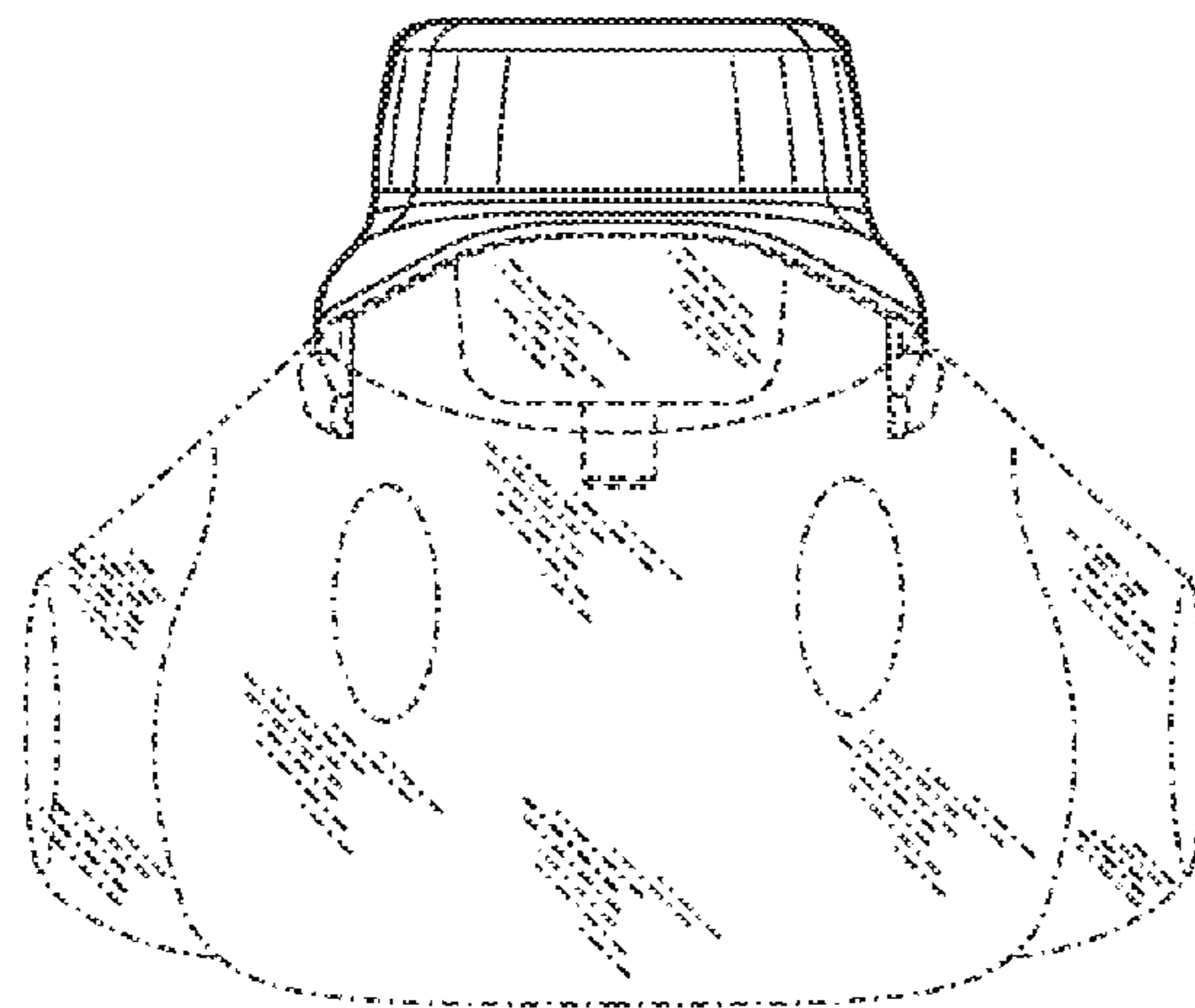


FIG. 28

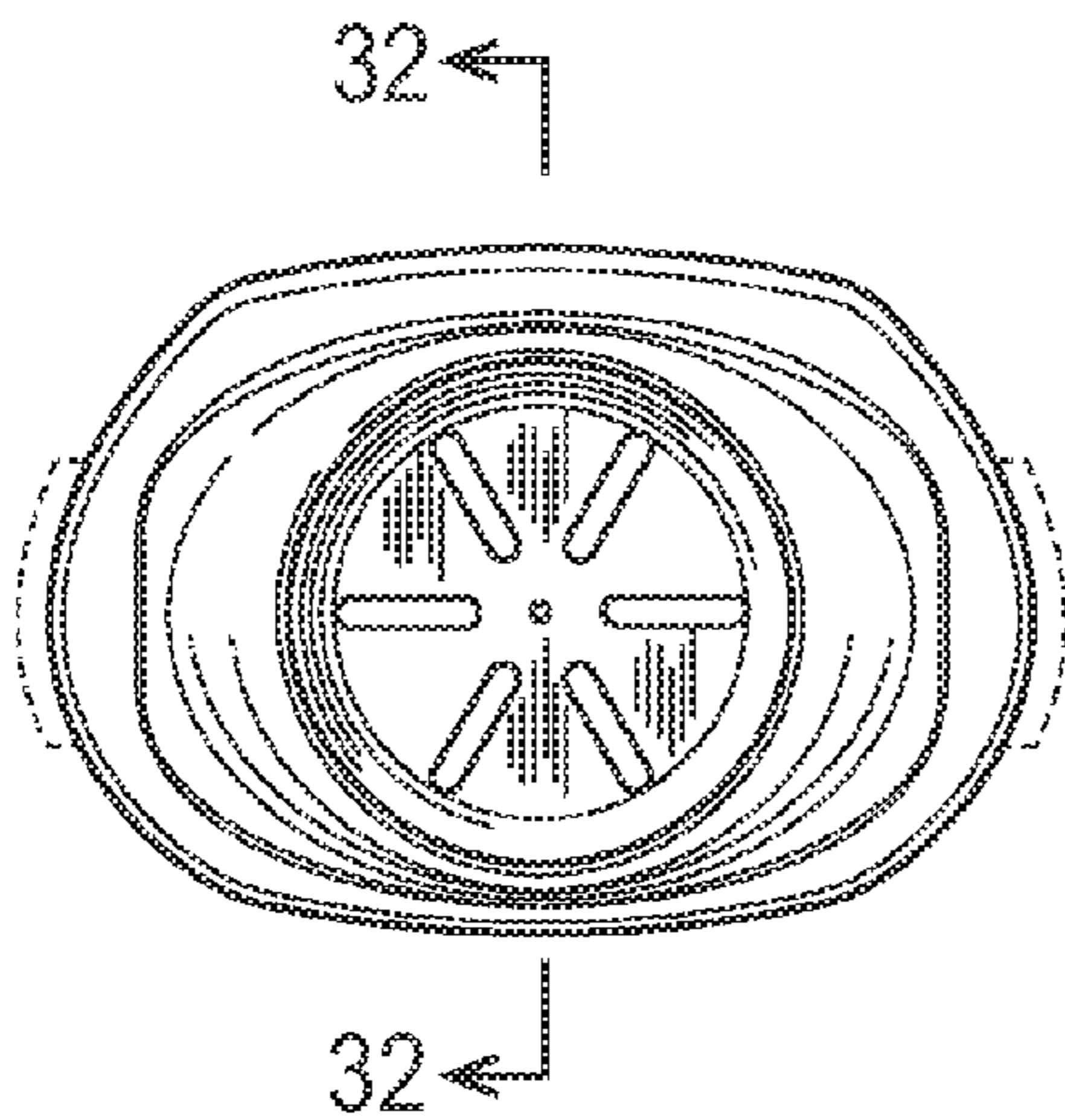


FIG. 29

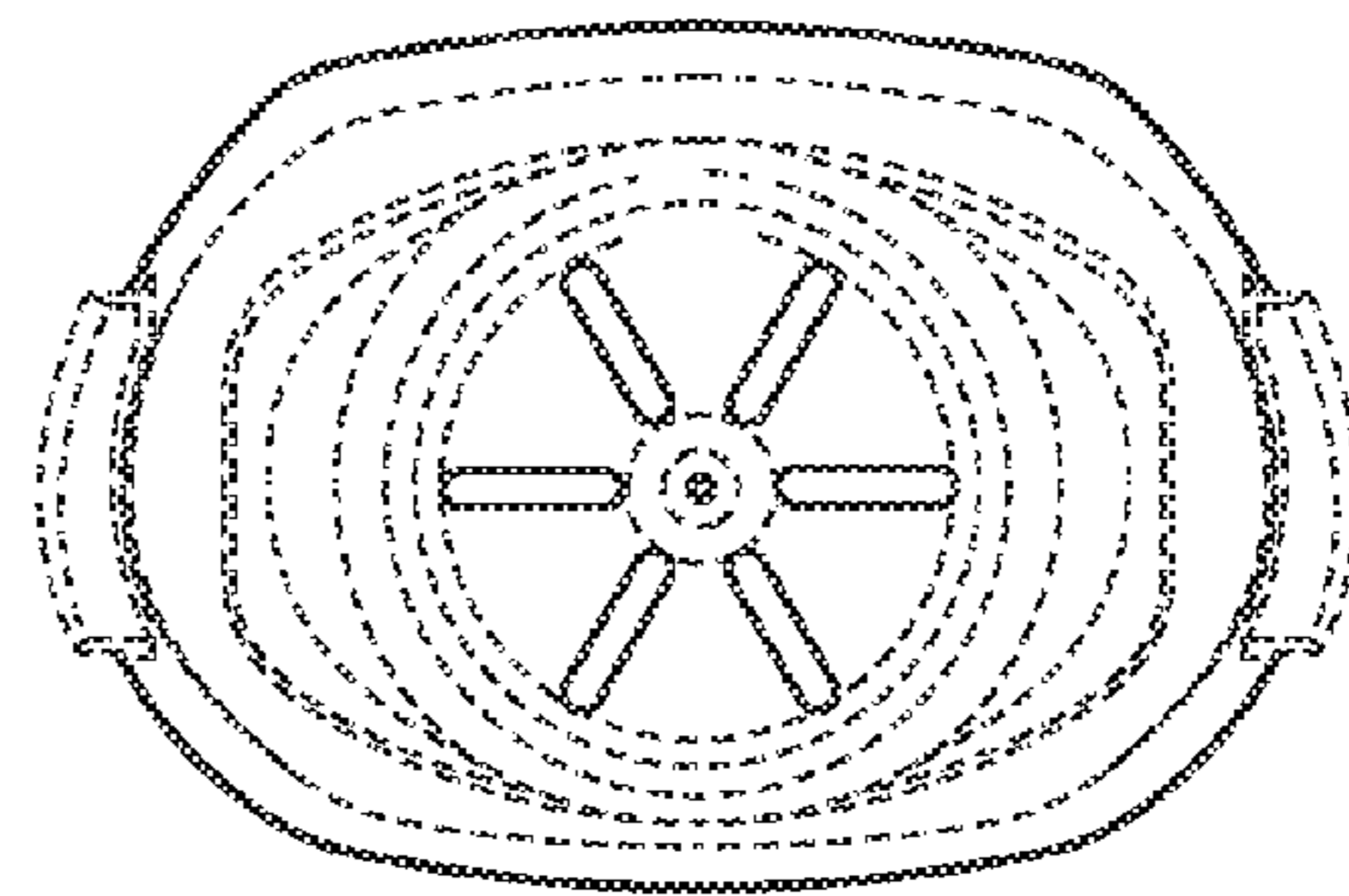


FIG. 30

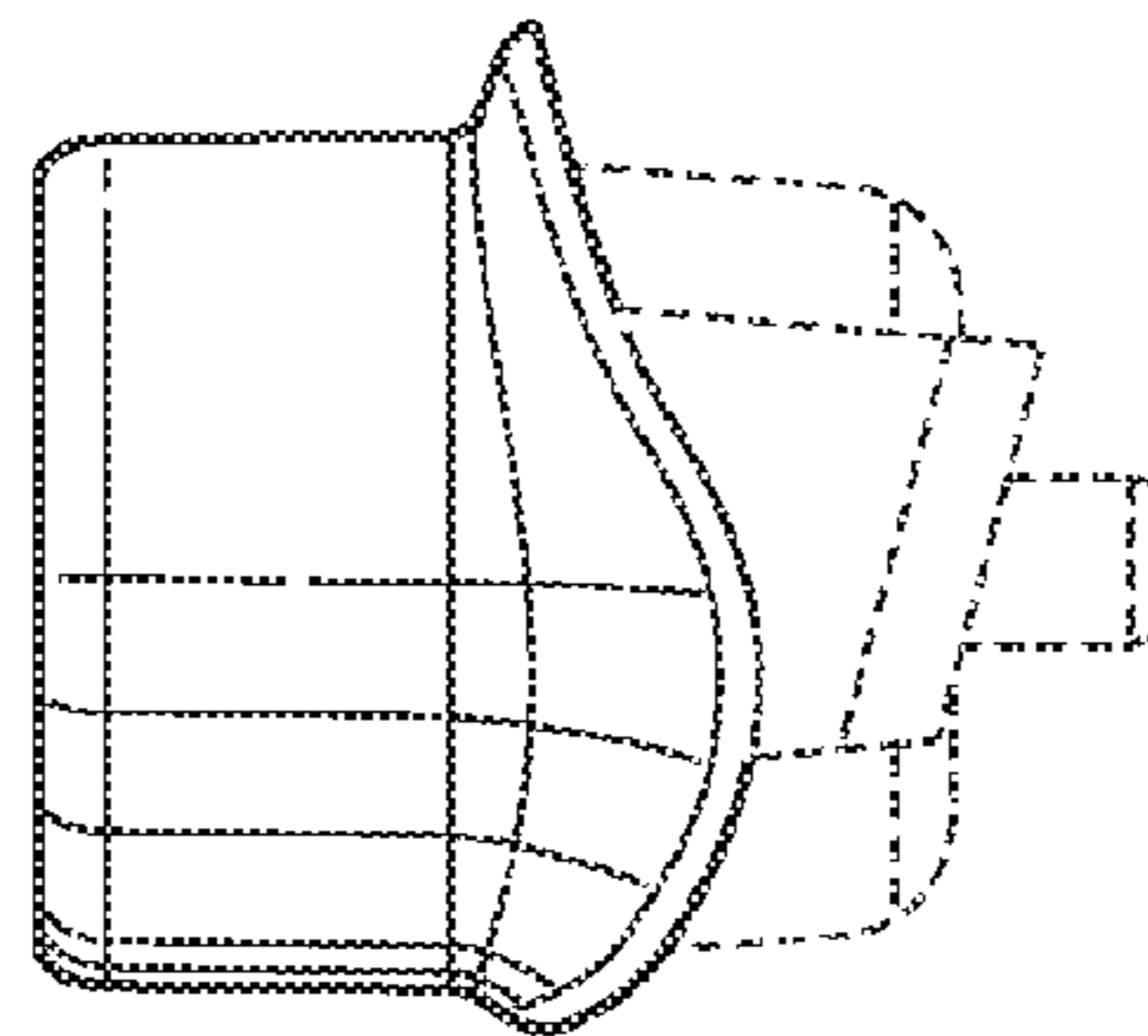


FIG. 31

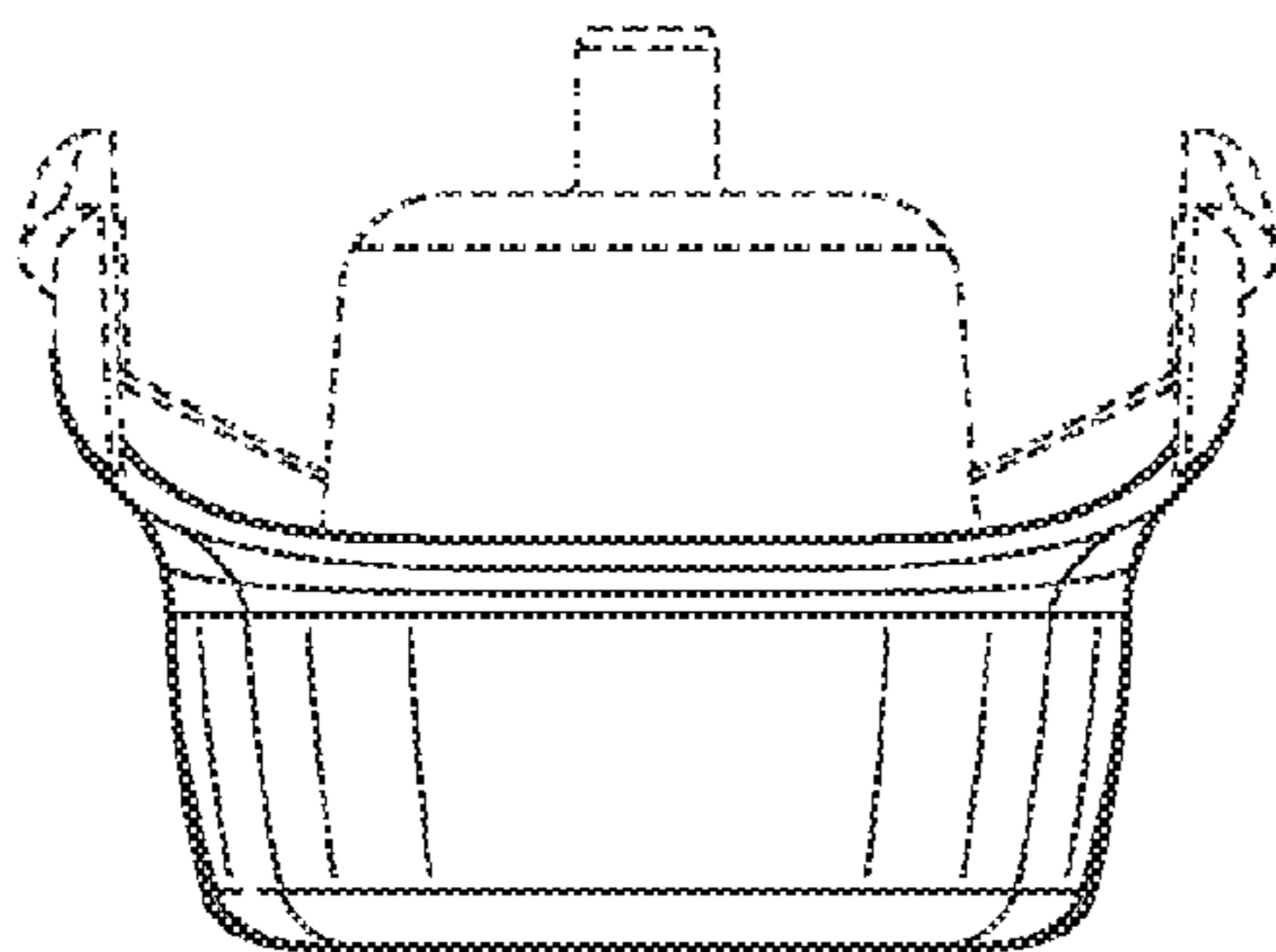


FIG. 32

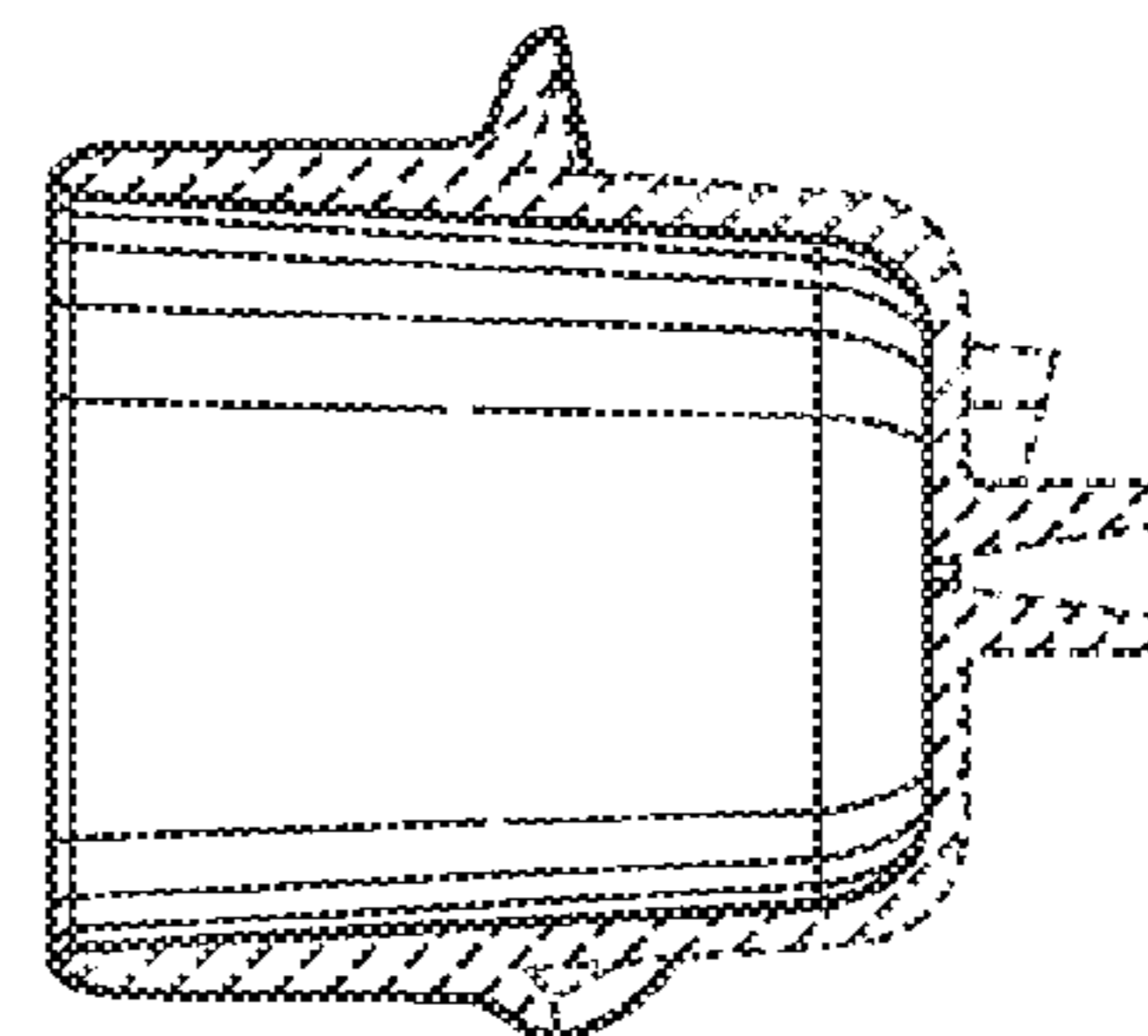


FIG. 33

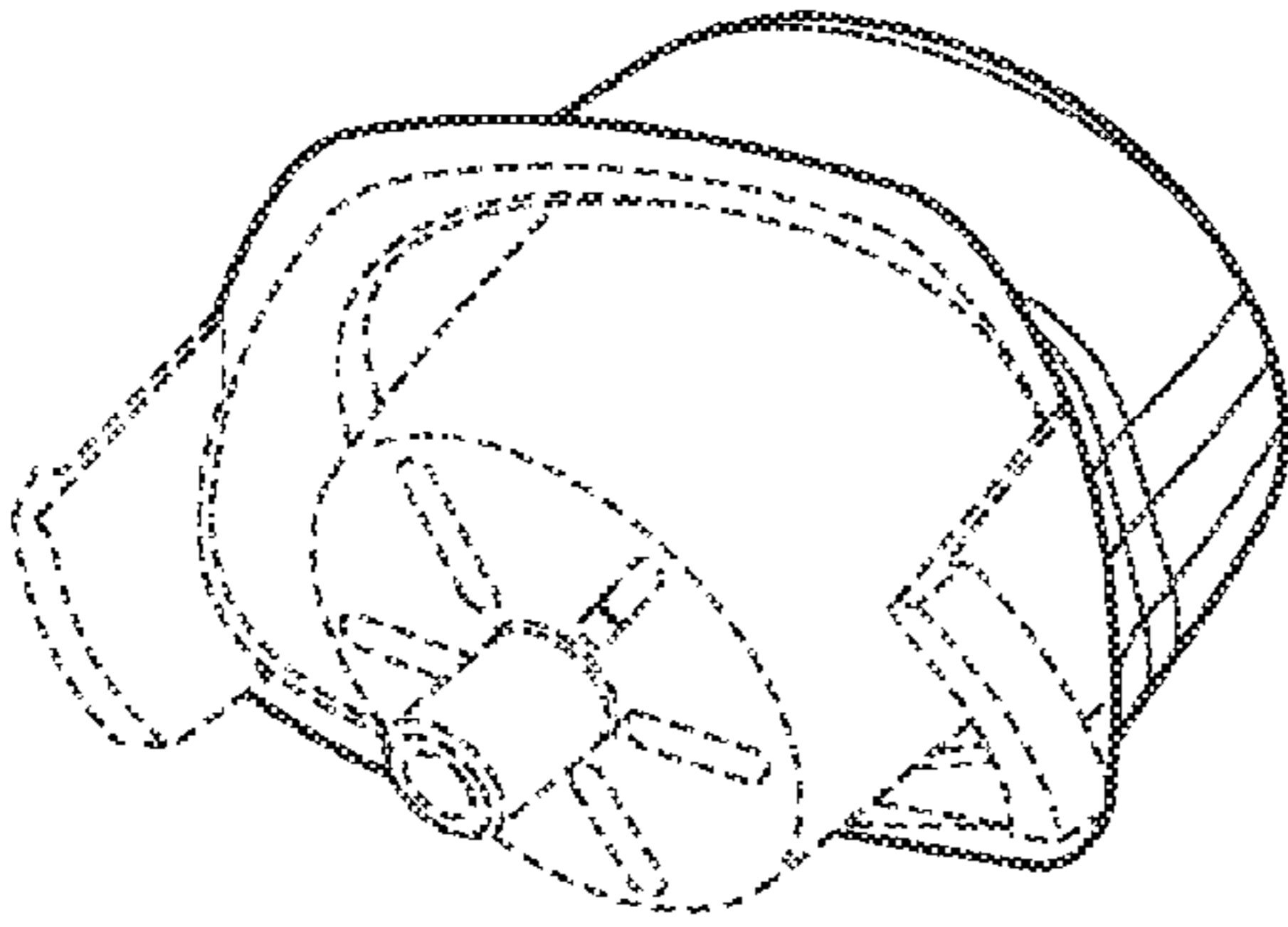


FIG. 34

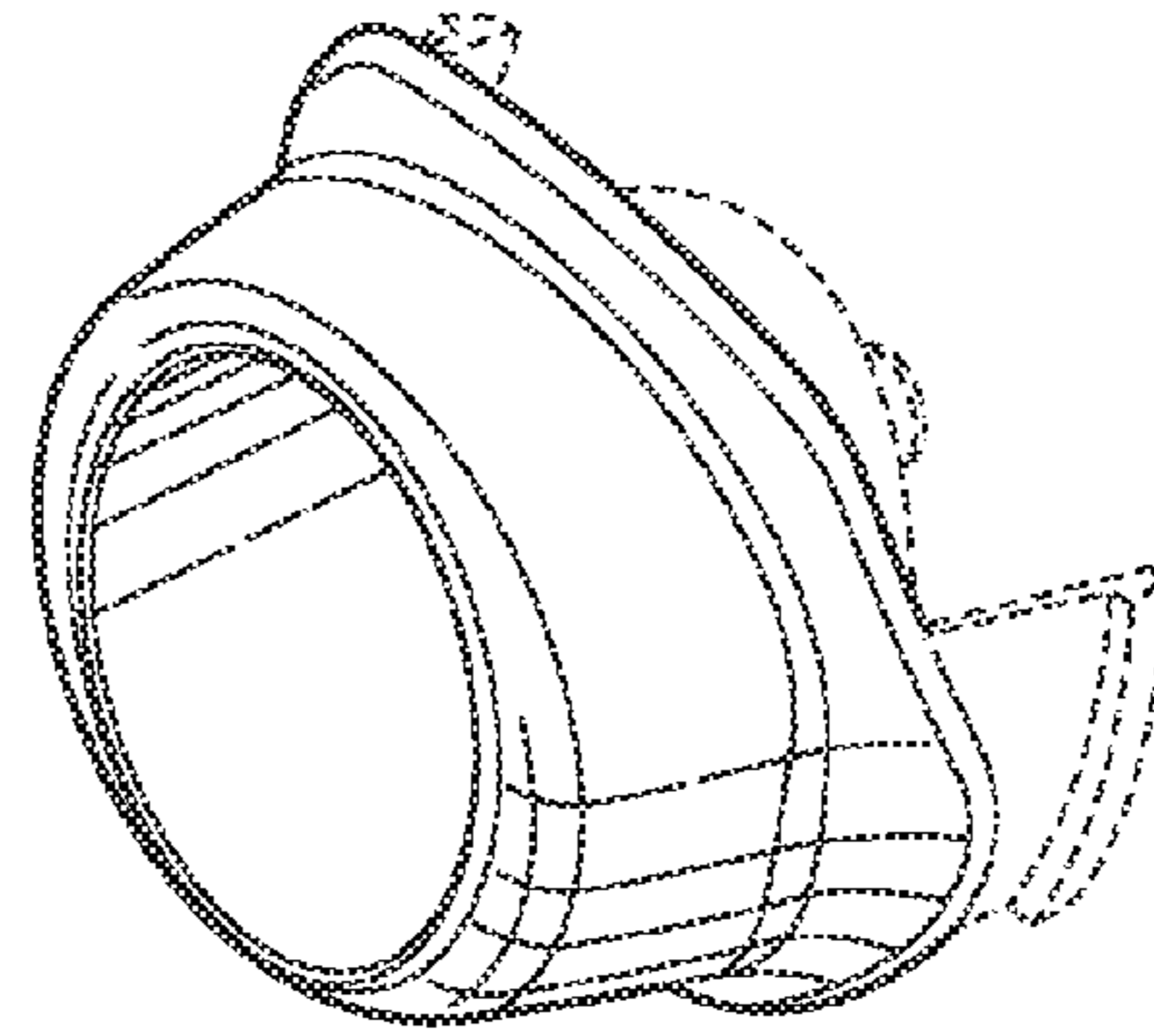


FIG. 35

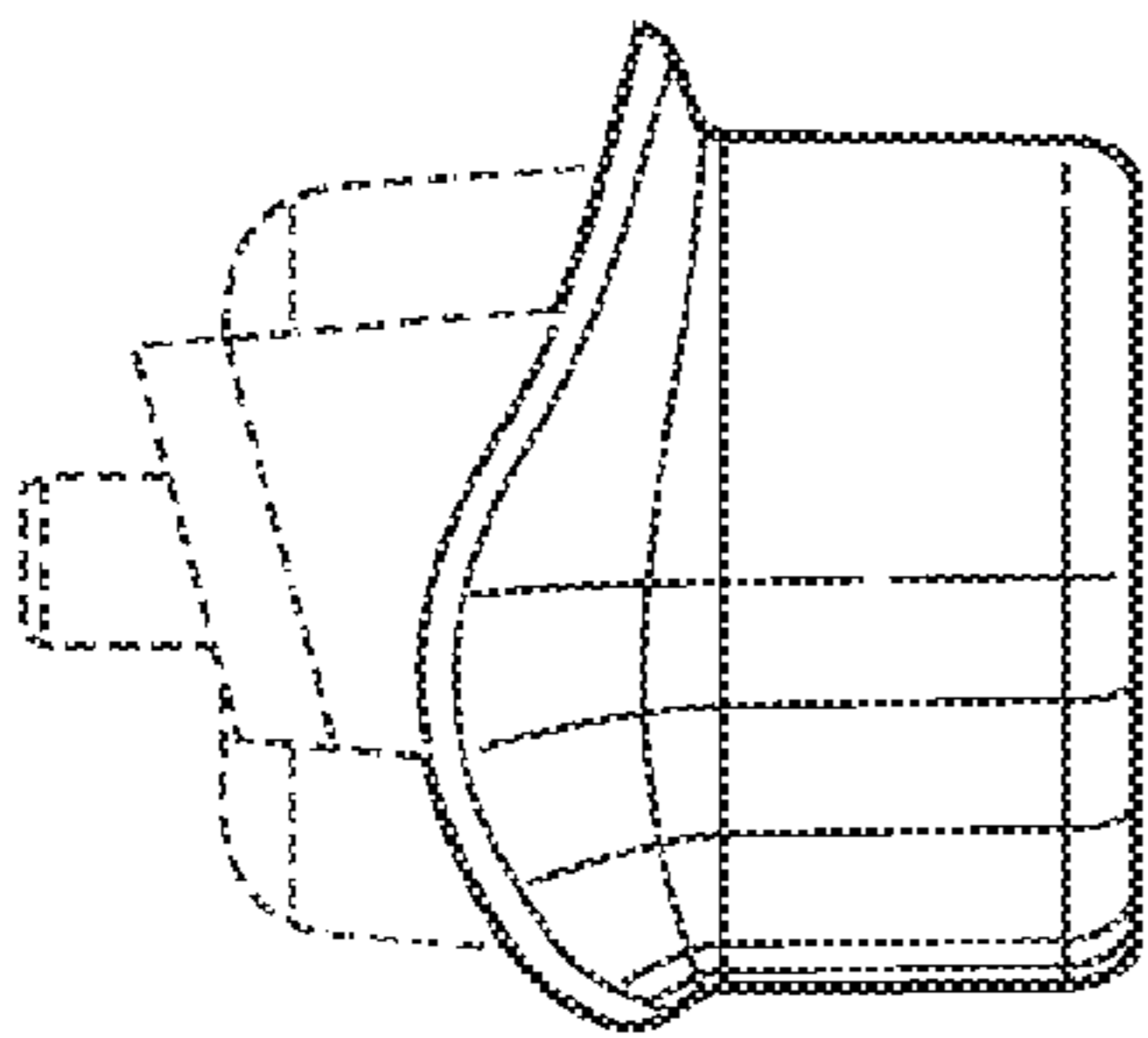


FIG. 36

