



US00D662198S

(12) **United States Design Patent**  
**Abass**

(10) **Patent No.:** **US D662,198 S**

(45) **Date of Patent:** **\*\* Jun. 19, 2012**

(54) **FAN BLADE**

(76) **Inventor:** **Omar Nabil Abass**, Lewis Center, OH  
(US)

(\*\*) **Term:** **14 Years**

(21) **Appl. No.:** **29/396,408**

(22) **Filed:** **Jun. 29, 2011**

(51) **LOC (9) Cl.** ..... **23-04**

(52) **U.S. Cl.** ..... **D23/413**

(58) **Field of Classification Search** ..... D13/179;  
D23/370-386, 411-414; 165/80.3, 120-122,  
165/900; 310/12.13, 26, 52, 58, 60 A, 60 R,  
310/61-65, 112, 125, 156.35-156.37, 157,  
310/211, 261.1, 266, 268; 361/679.48, 694-697;  
392/365, 373, 382, 383; 415/60, 66, 68,  
415/175-178, 206, 208.1, 211.2, 213.1, 214.1,  
415/215.1; 416/179, 185, 186 R, 187, 244 R,  
416/246, 247 R; 417/321, 410.1  
See application file for complete search history.

(56) **References Cited**

**U.S. PATENT DOCUMENTS**

D131,699 S *	3/1942	Funk	.....	D23/413
D134,017 S *	10/1942	Hueglin	.....	D23/413
D300,932 S *	5/1989	Sikes	.....	D15/1
D338,871 S *	8/1993	Carfagno	.....	D13/115

5,405,246 A *	4/1995	Goldberg	.....	416/242
D456,502 S *	4/2002	Small	.....	D23/413
D456,894 S *	5/2002	Small	.....	D23/413
D509,295 S *	9/2005	Stauffer et al.	.....	D23/413
D515,694 S *	2/2006	Frampton et al.	.....	D23/413
D535,387 S *	1/2007	Gajewski	.....	D23/413
D535,388 S *	1/2007	Gajewski	.....	D23/413
D597,028 S *	7/2009	Sauer	.....	D13/115
D637,555 S *	5/2011	Rodriguez	.....	D13/115

\* cited by examiner

*Primary Examiner* — Garth Rademaker

(74) *Attorney, Agent, or Firm* — Sinorica, LLC

(57) **CLAIM**

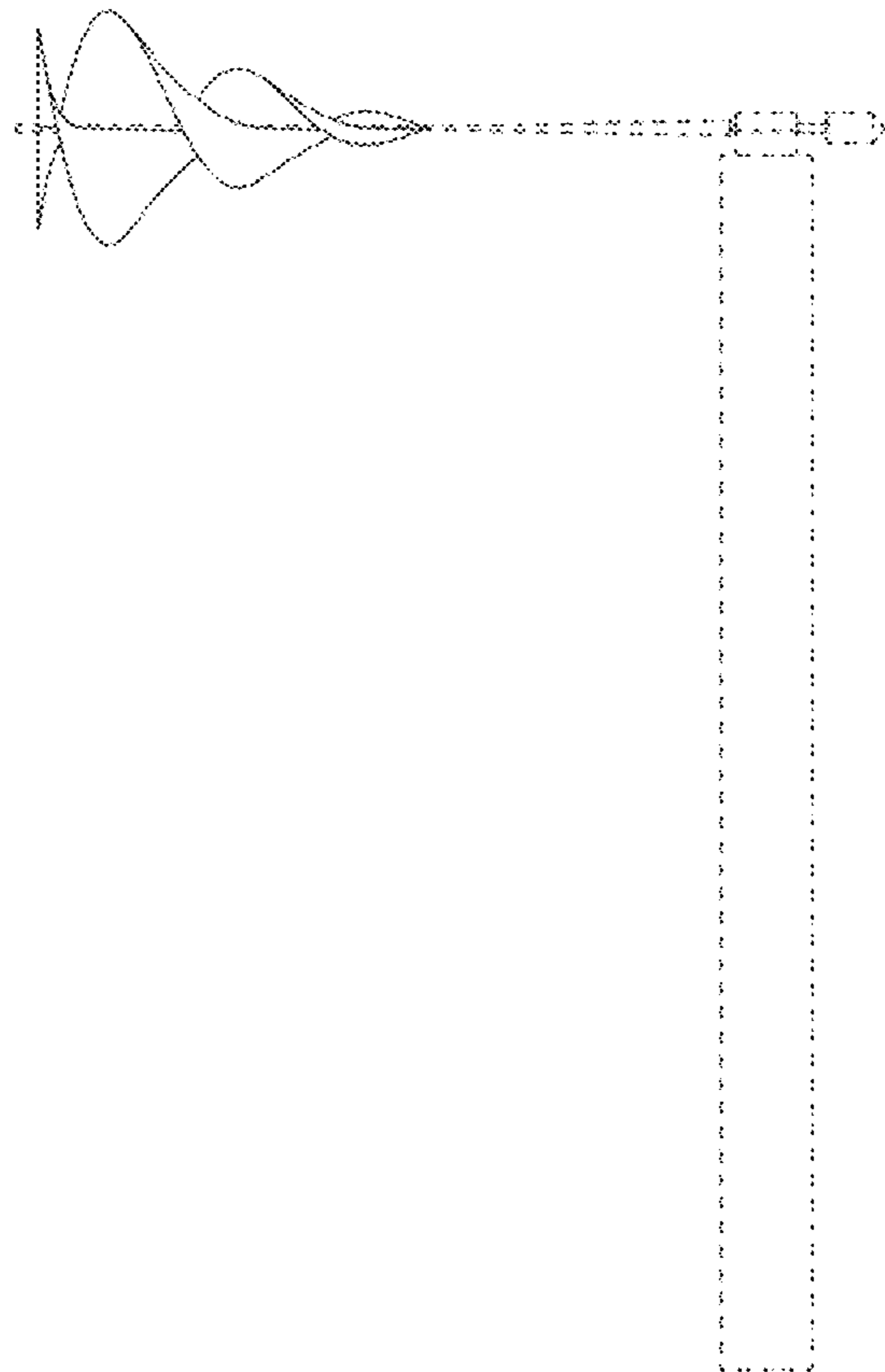
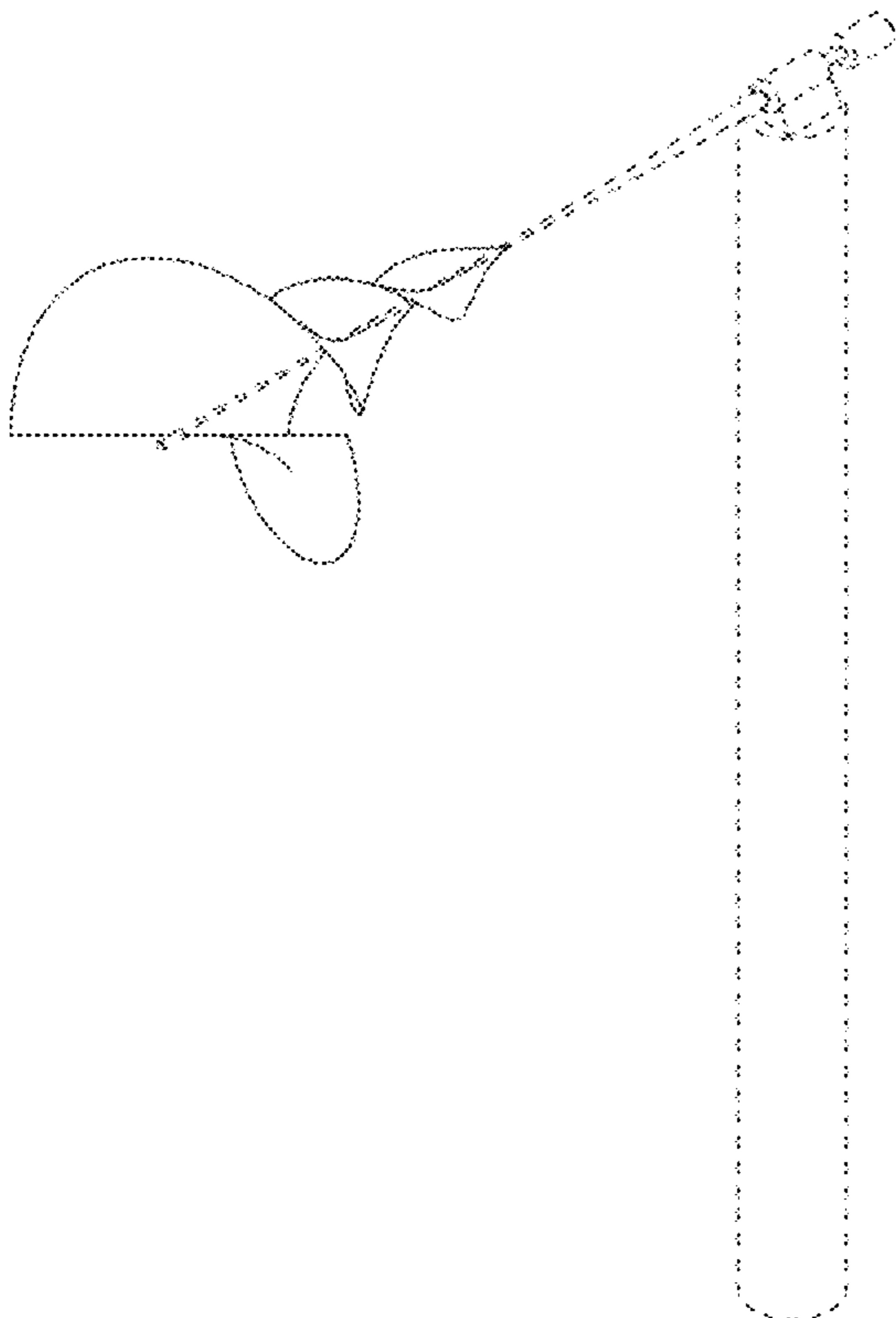
The ornamental design for a fan blade, as shown and described.

**DESCRIPTION**

FIG. 1 is a perspective view of a fan blade;  
FIG. 2 is a front elevational view thereof;  
FIG. 3 is a rear elevational view thereof;  
FIG. 4 is a right-side elevational view thereof;  
FIG. 5 is a left-side elevational view thereof;  
FIG. 6 is a bottom plan view thereof; and,  
FIG. 7 is a top plan view thereof.

The broken line showing of a generator, column, and stem is for the purpose of illustrating environmental structure and forms no part of the claimed design.

**1 Claim, 5 Drawing Sheets**



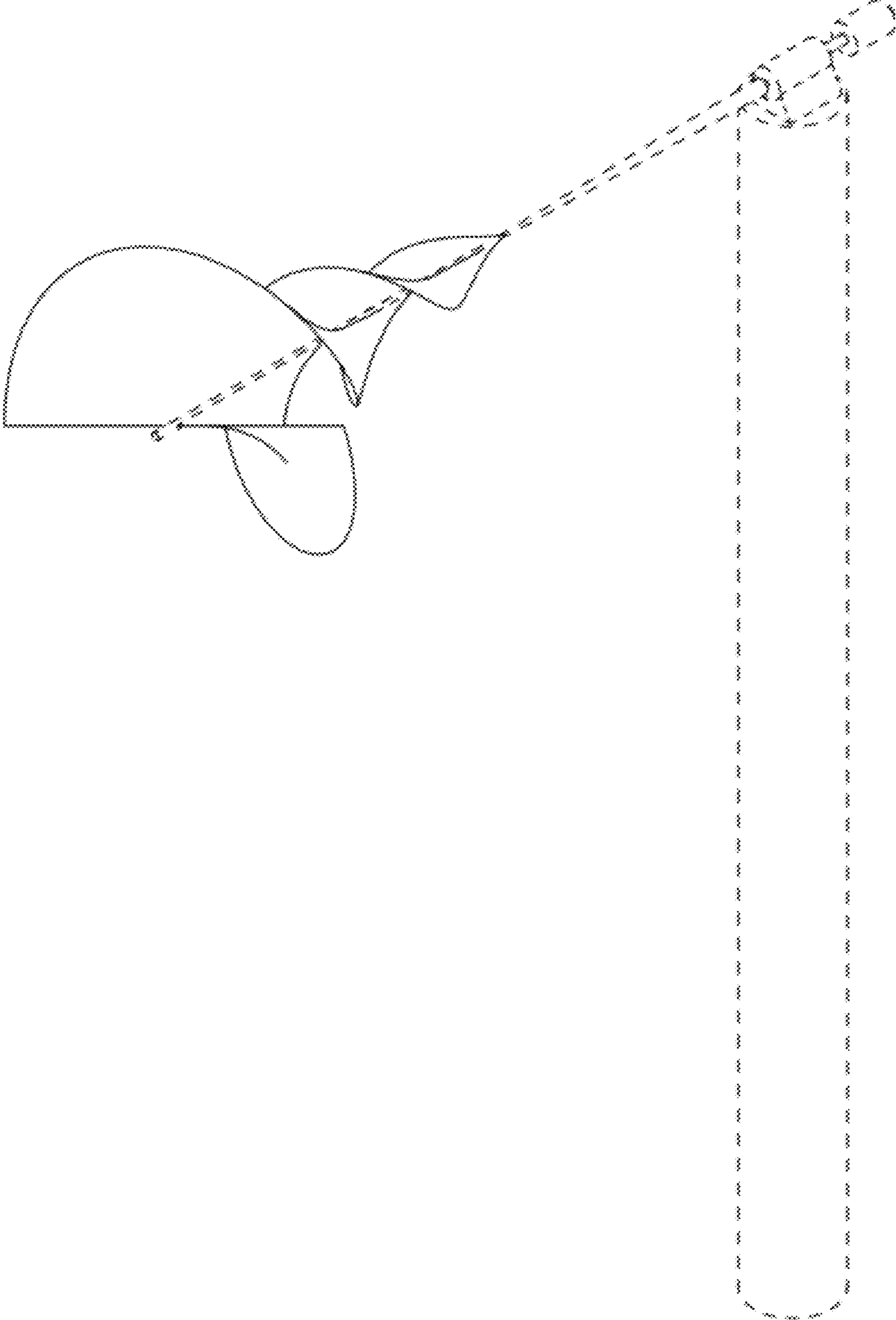


FIG. 1

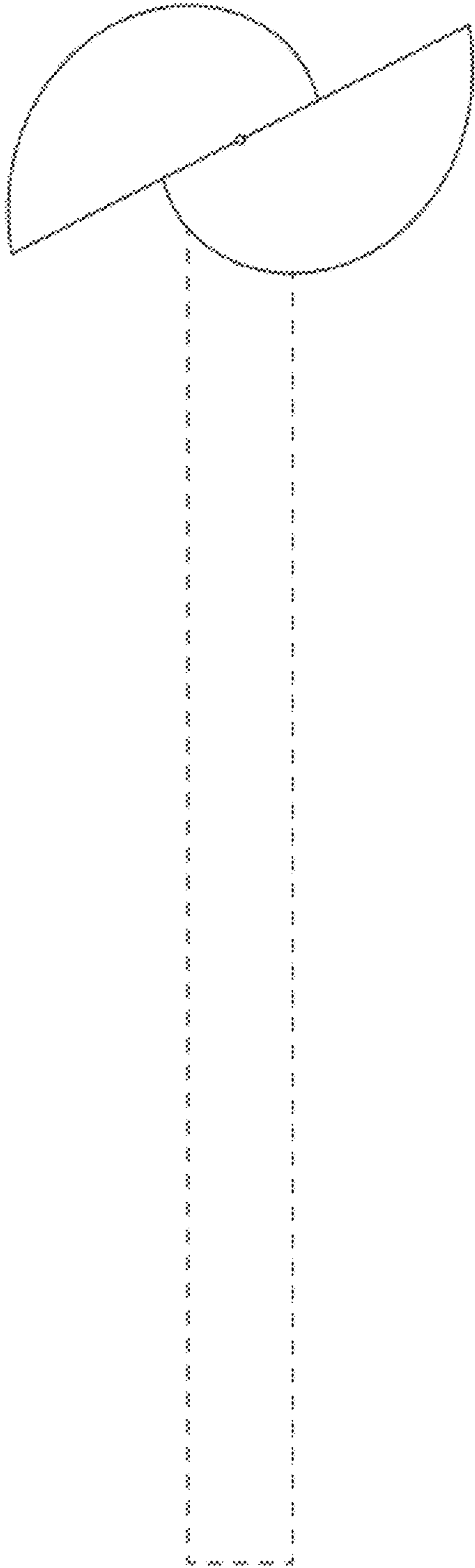


FIG. 2

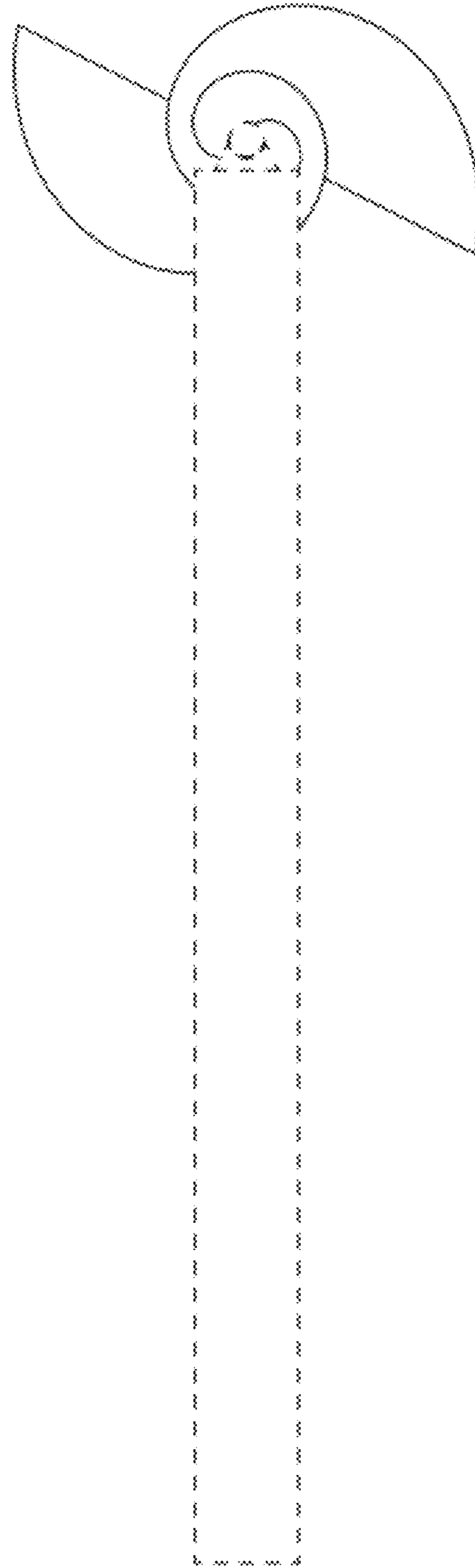


FIG. 3



FIG. 4



FIG. 5

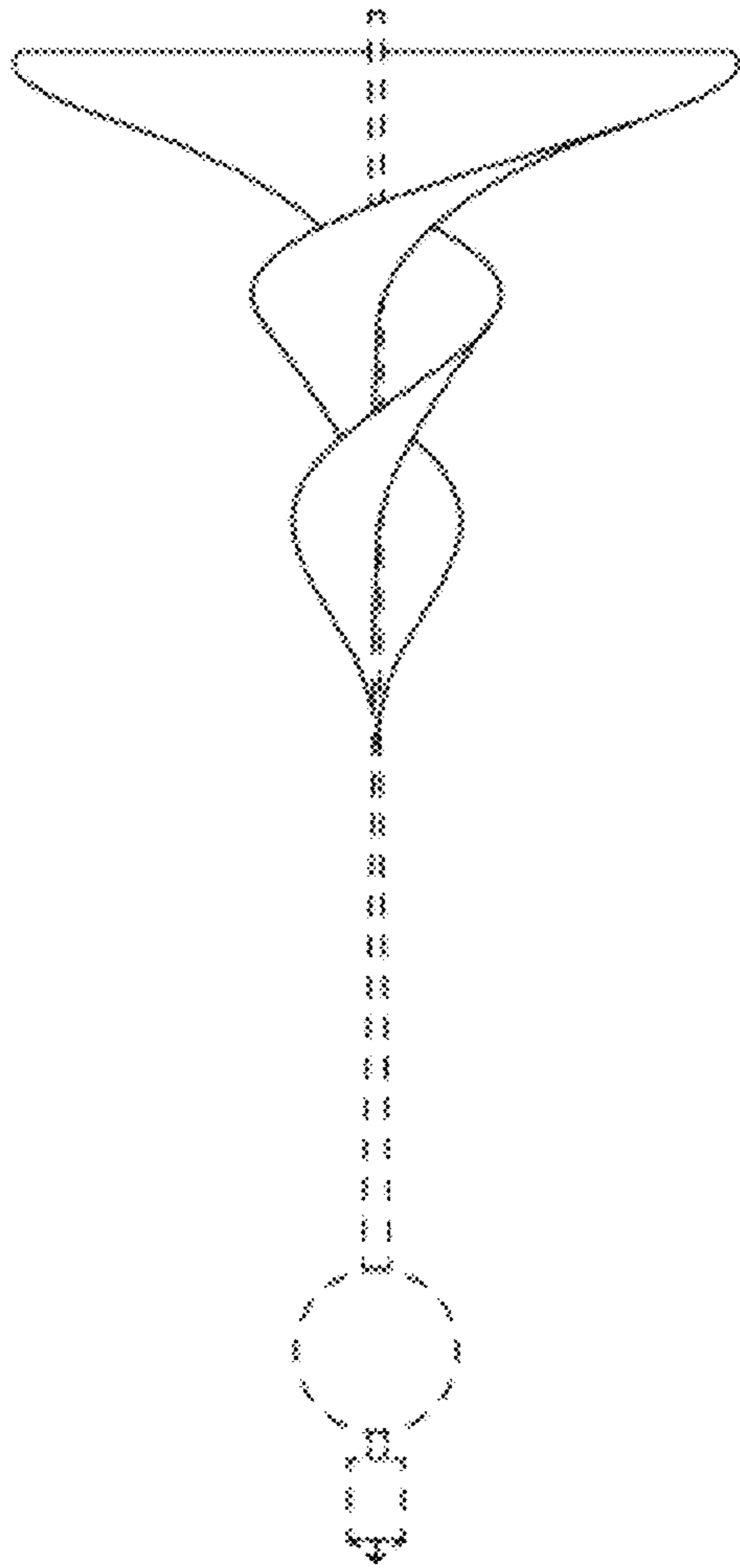


FIG. 6

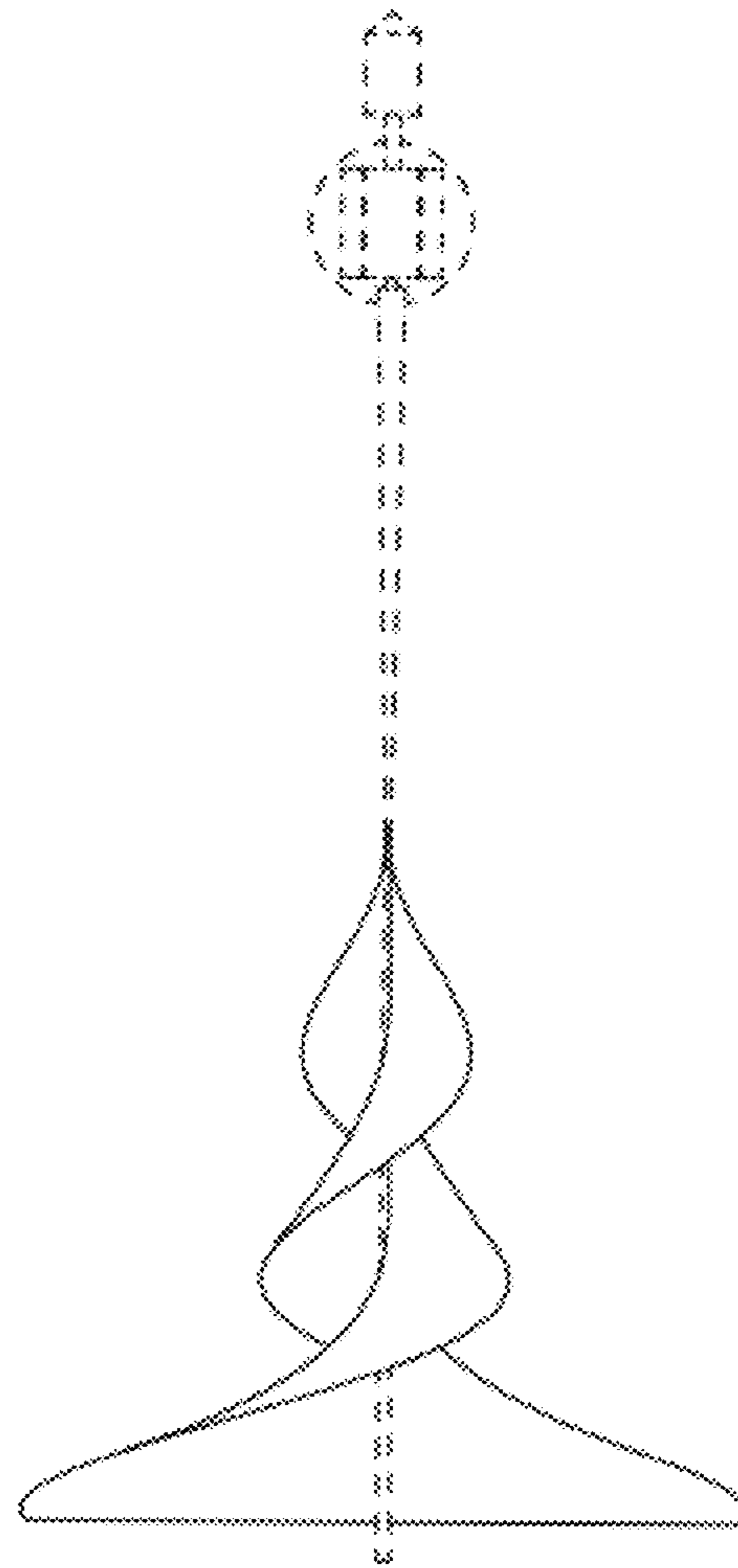


FIG. 7