

US00D662182S

(12) **United States Design Patent**
Thun

(10) **Patent No.:** **US D662,182 S**
(45) **Date of Patent:** **** Jun. 19, 2012**

(54) **SINK FAUCET**

(75) Inventor: **Matteo Thun**, Milan (IT)

(73) Assignee: **Aloys F. Dombrecht GmbH & Co. KG**,
Iserlohn (DE)

(**) Term: **14 Years**

(21) Appl. No.: **29/373,737**

(22) Filed: **May 17, 2011**

(30) **Foreign Application Priority Data**

Dec. 9, 2010 (EM) 001248983

(51) **LOC (9) Cl.** **23-01**

(52) **U.S. Cl.** **D23/238**

(58) **Field of Classification Search** D23/238,
D23/241-243, 255, 257, 250; 4/675-378;
137/801

See application file for complete search history.

(56) **References Cited**

U.S. PATENT DOCUMENTS

D311,438 S * 10/1990 Strignano D23/242
D524,414 S * 7/2006 Marcichow et al. D23/238
D599,883 S * 9/2009 Tippens D23/223
D615,162 S * 5/2010 Pan D23/255
D649,223 S * 11/2011 Lobermeier et al. D23/238

* cited by examiner

Primary Examiner — Robert Delehanty

(74) *Attorney, Agent, or Firm* — Von Rohrscheidt Patents

(57) **CLAIM**

The ornamental design for sink faucet, as shown and described.

DESCRIPTION

FIG. 1 illustrates a tilted side view of an embodiment of the sink faucet showing the new design.

FIG. 2 illustrates another tilted side view of the sink faucet in FIG. 1.

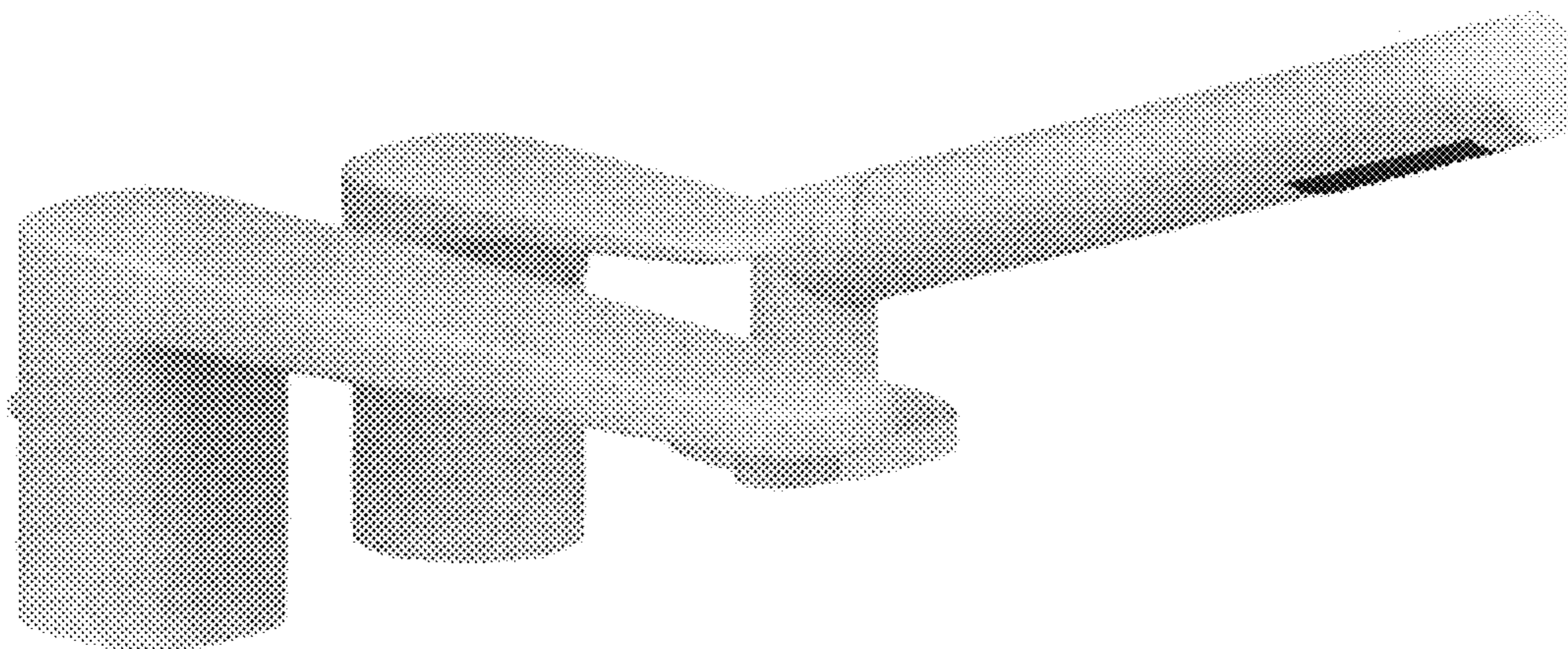
FIG. 3 illustrates another a left side view of the sink faucet in FIG. 1.

FIG. 4 illustrates a right side view of the sink faucet in FIG. 1.

FIG. 5 illustrates a front view of the sink faucet in FIG. 1.

FIG. 6 illustrates a rear view of the sink faucet in FIG. 1; and, FIG. 7 illustrates a top view of the sink faucet in FIG. 1.

1 Claim, 3 Drawing Sheets



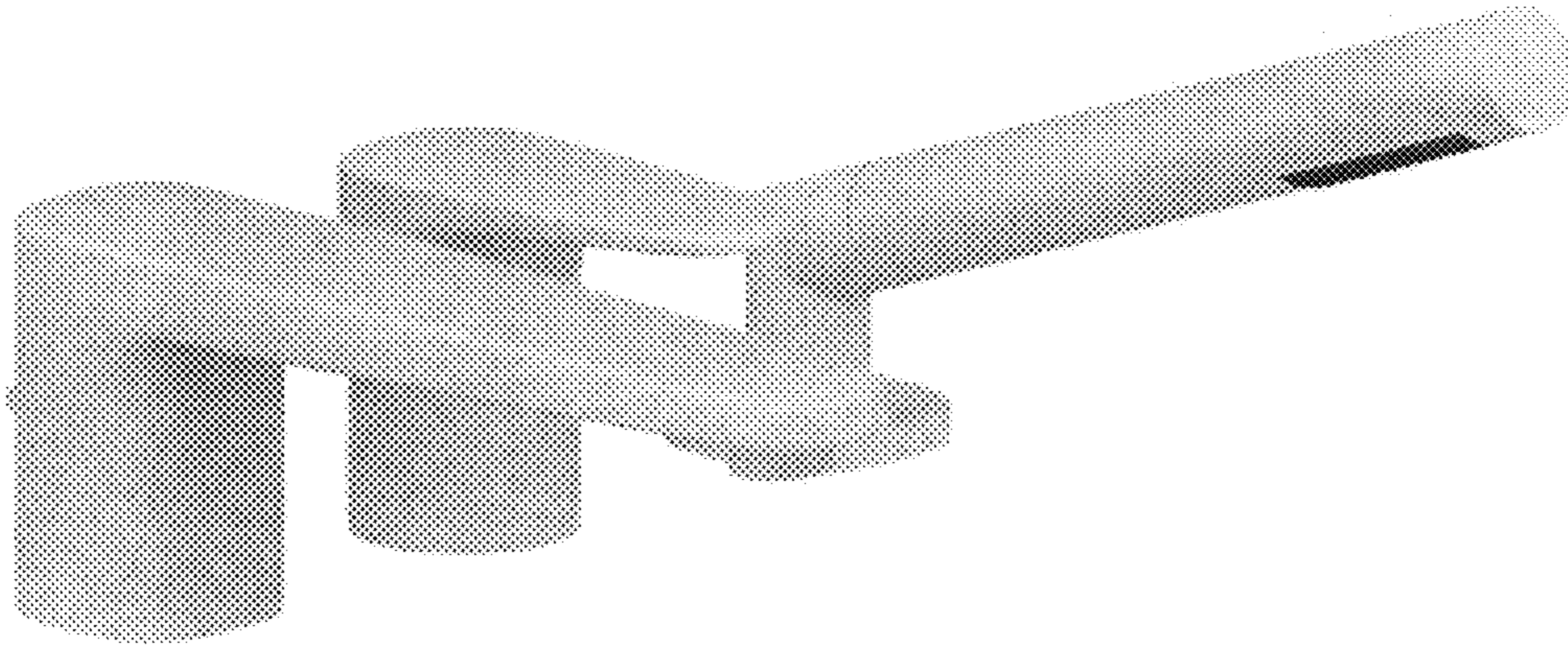


FIG. 1

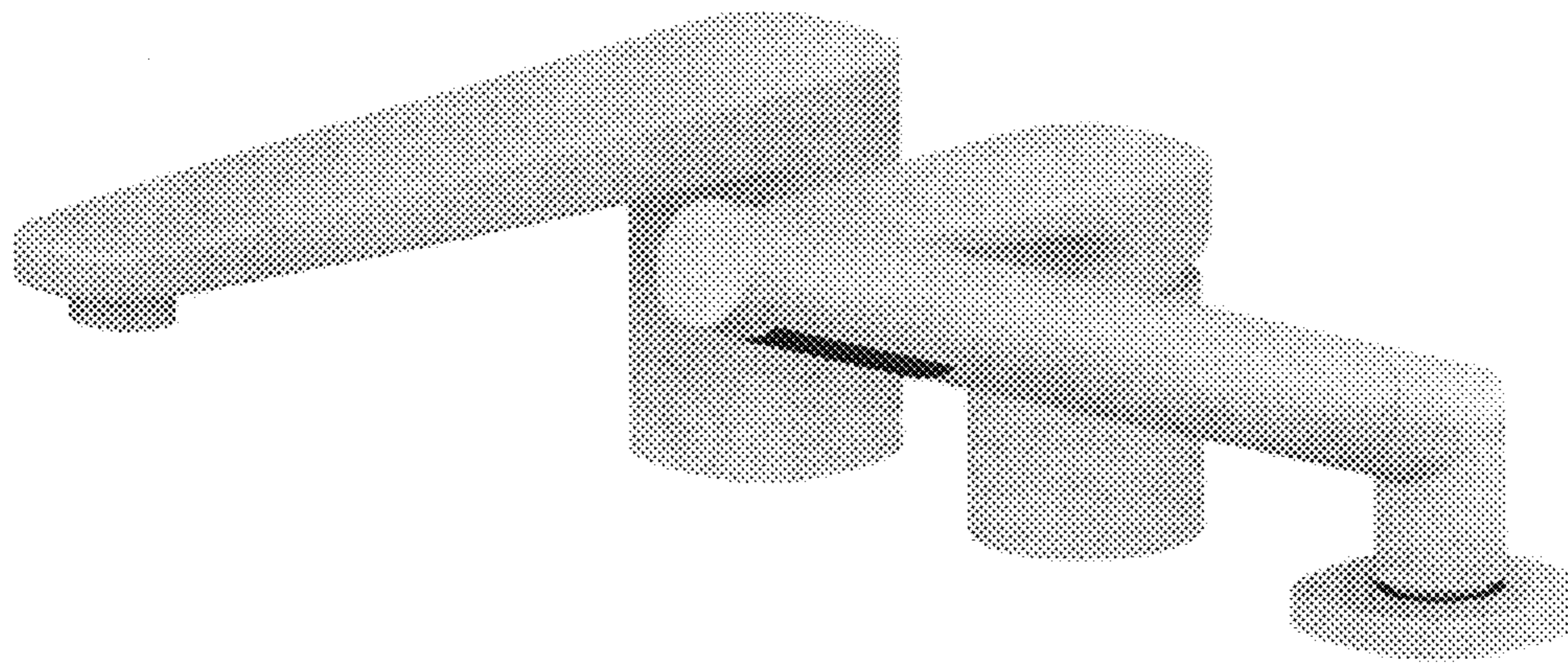


FIG. 2

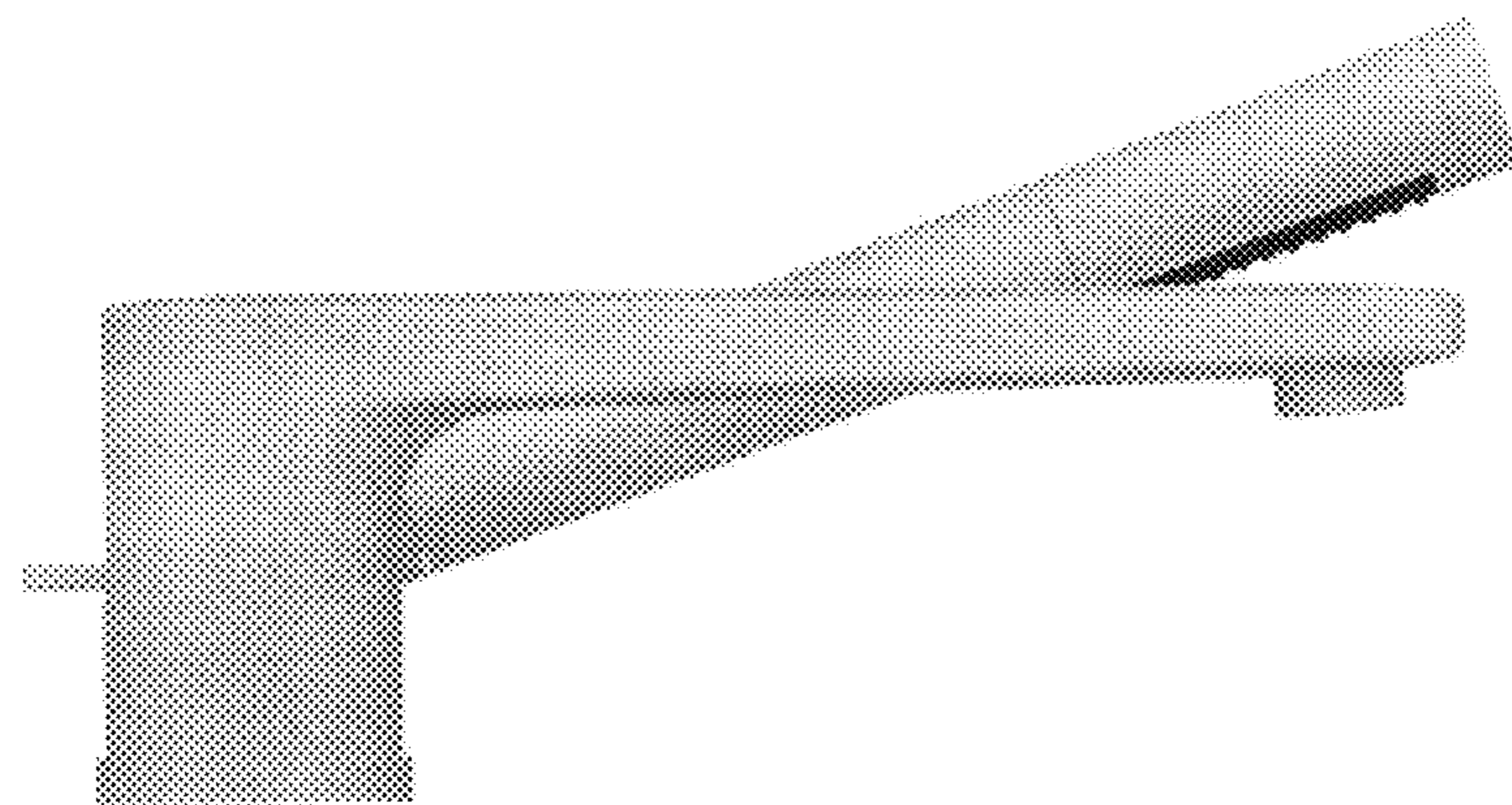


FIG. 3

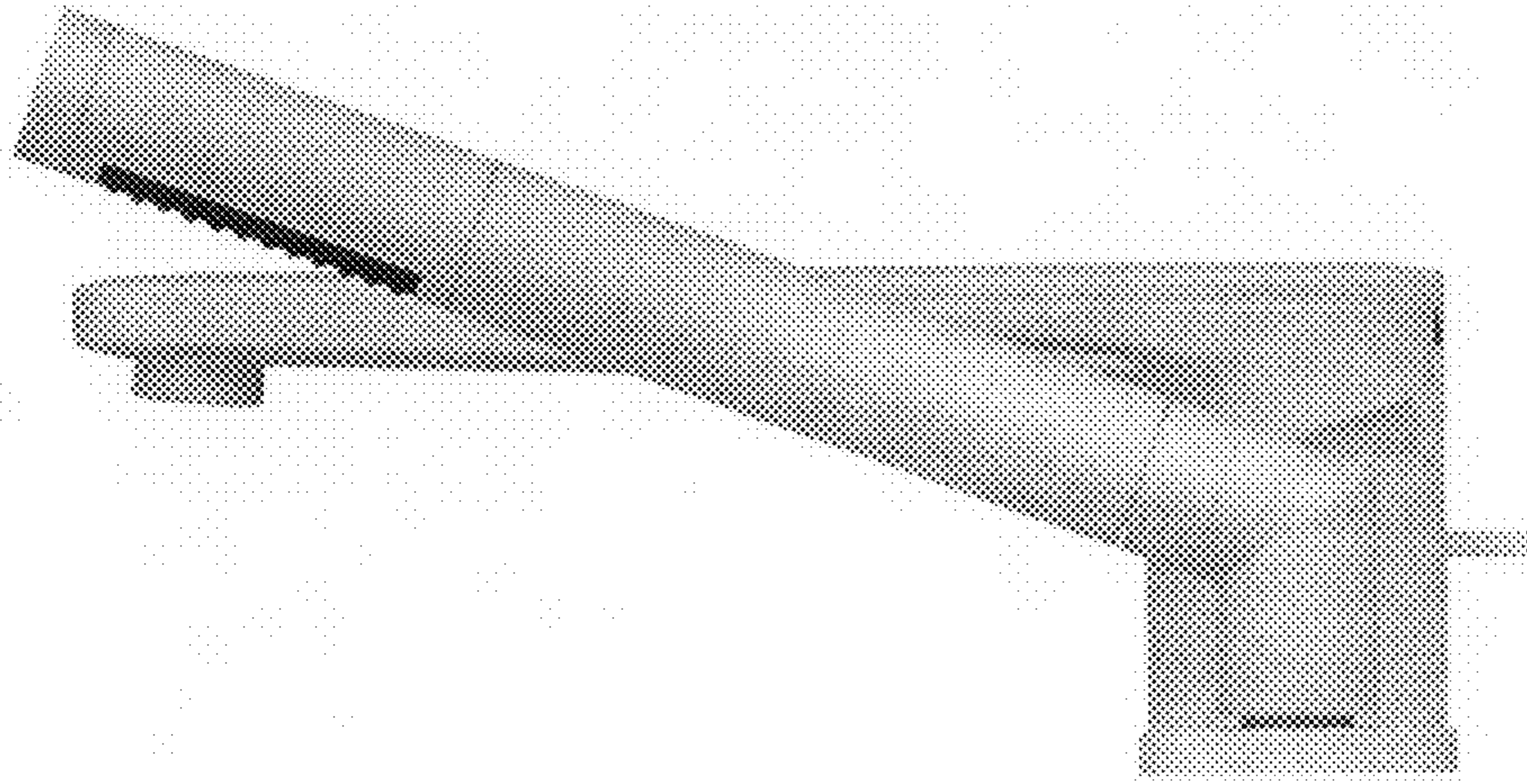


FIG. 4

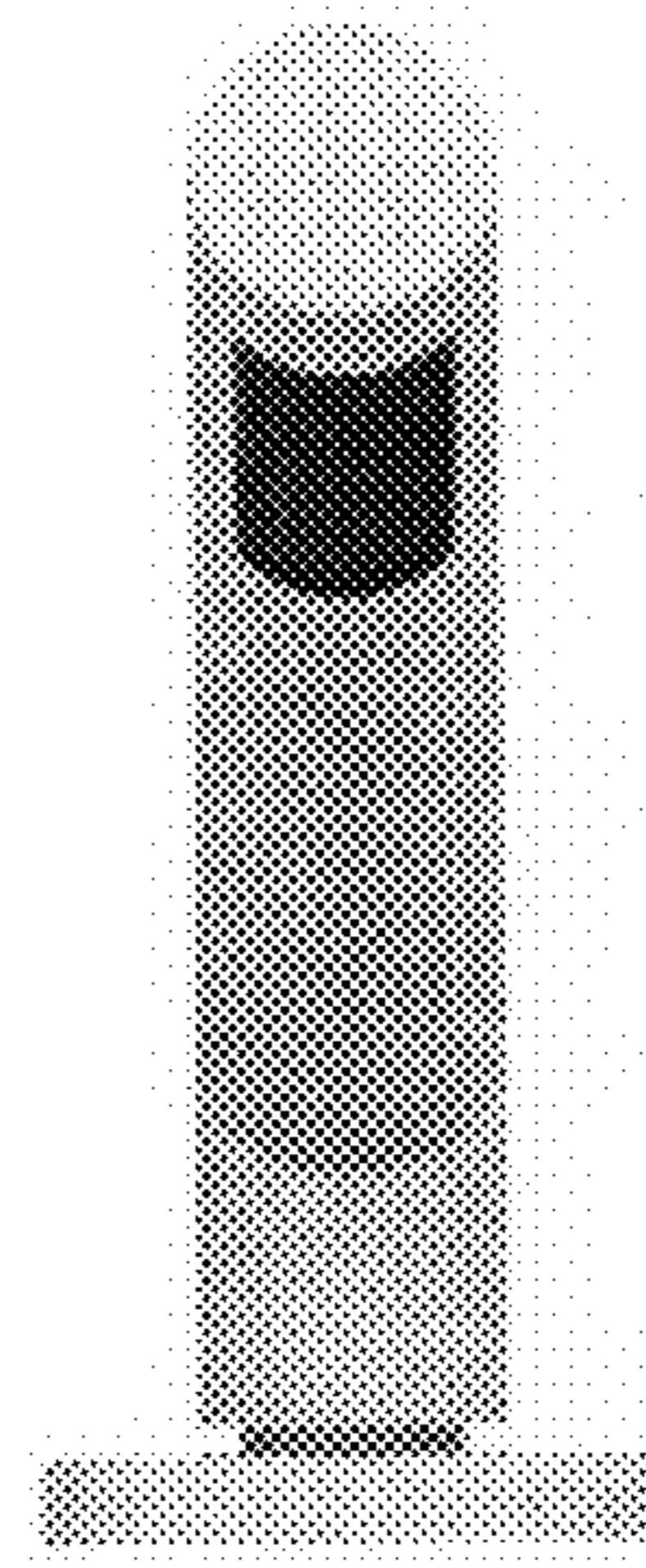
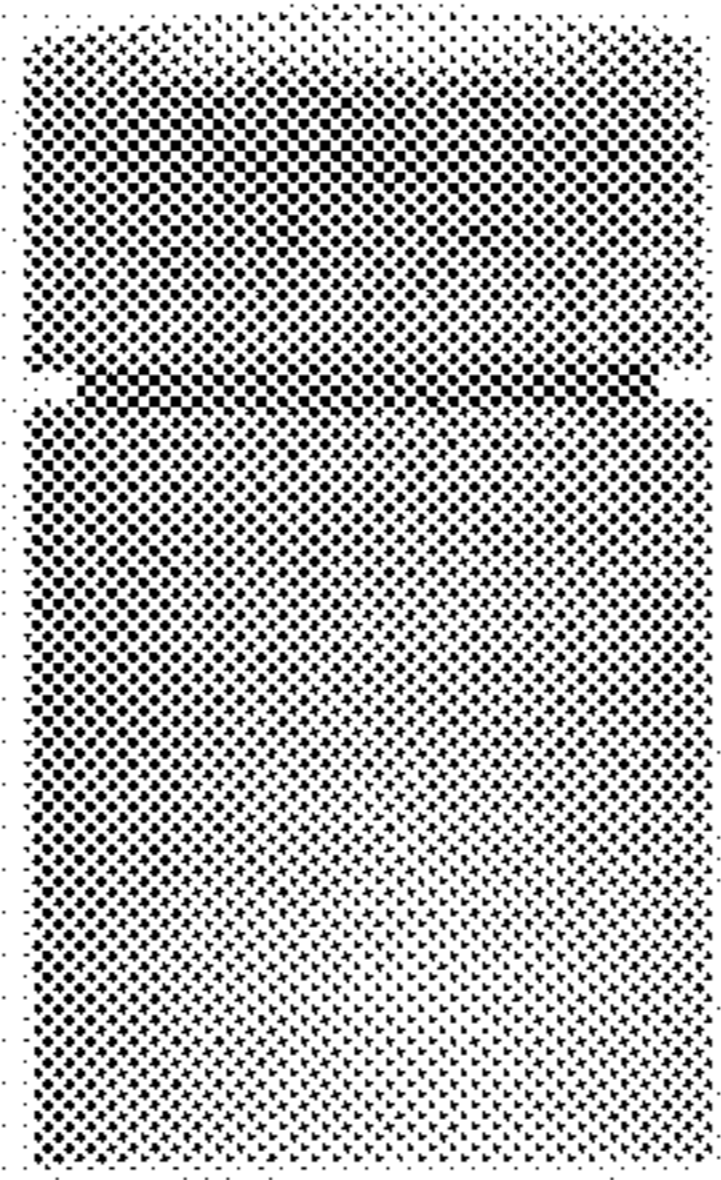
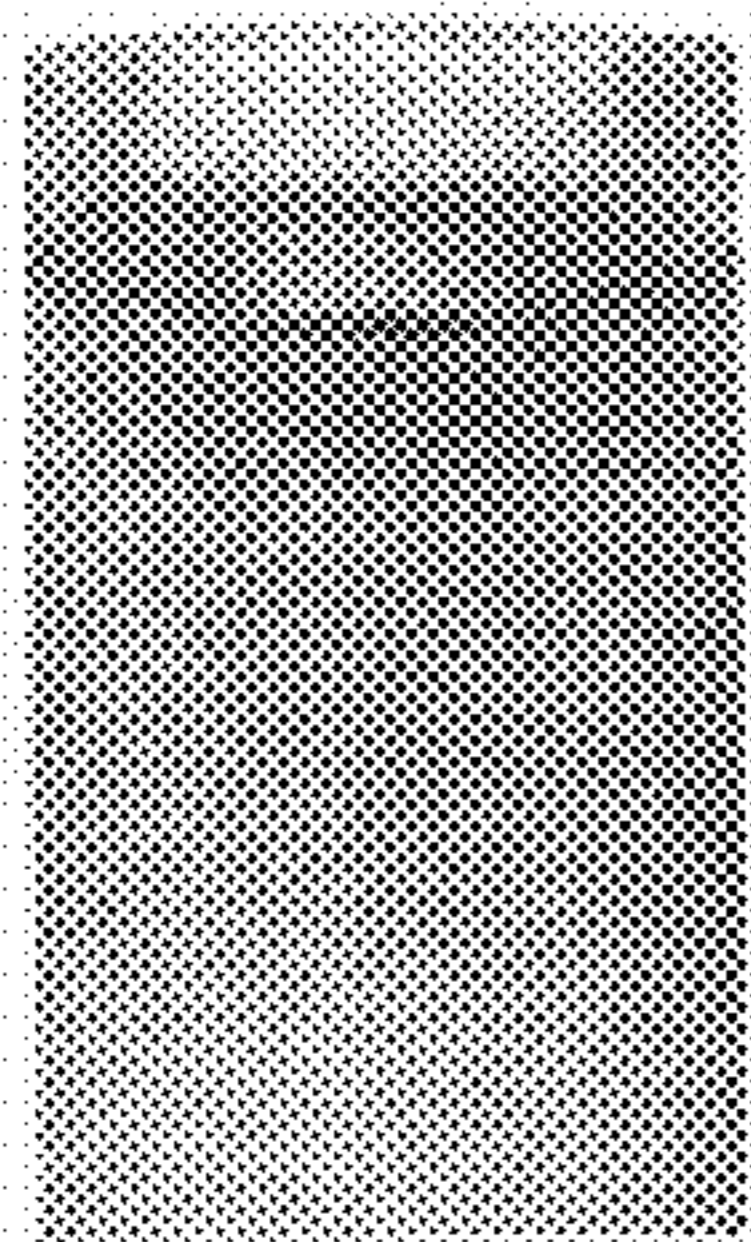


FIG. 5

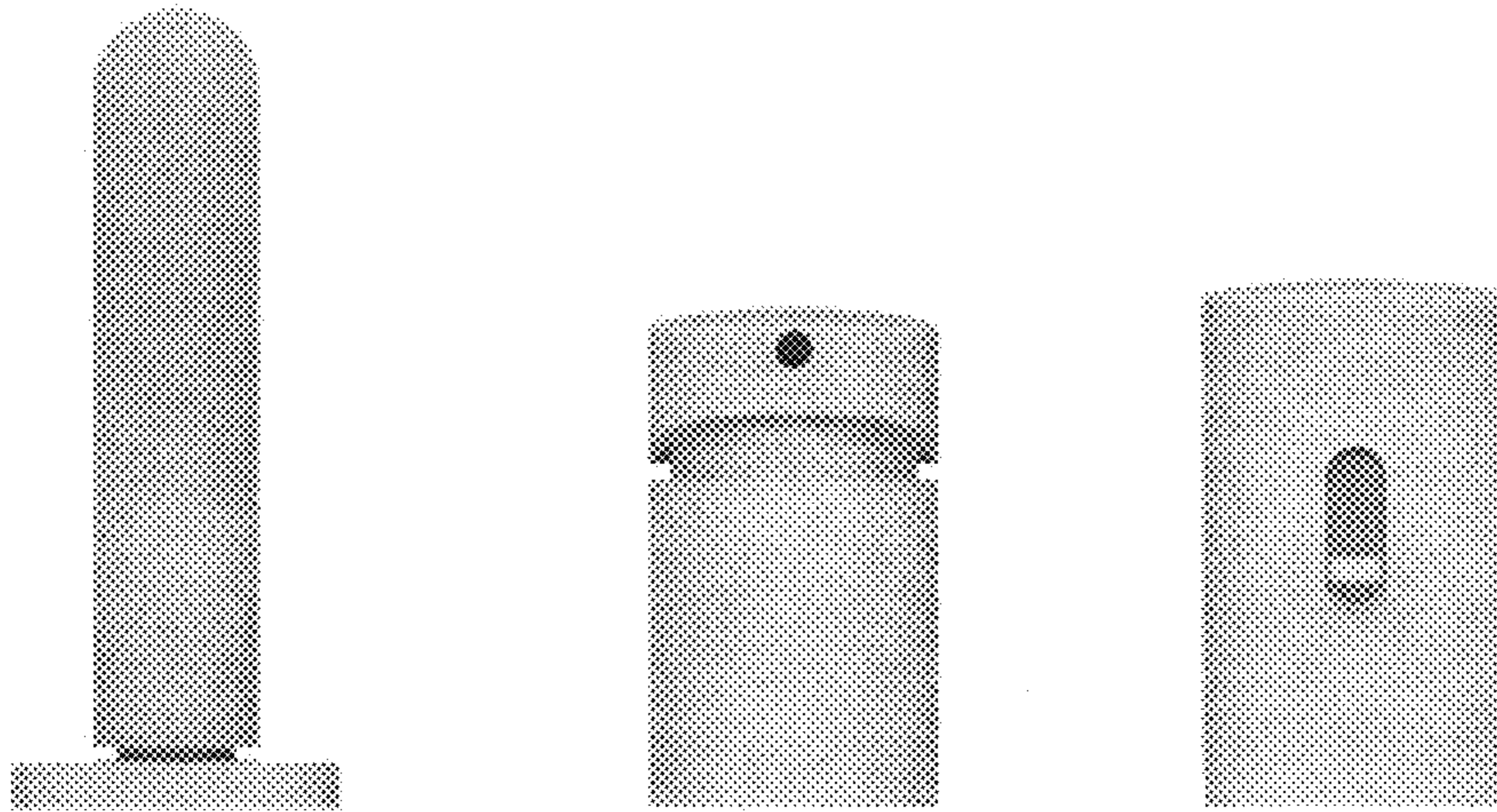


FIG. 6

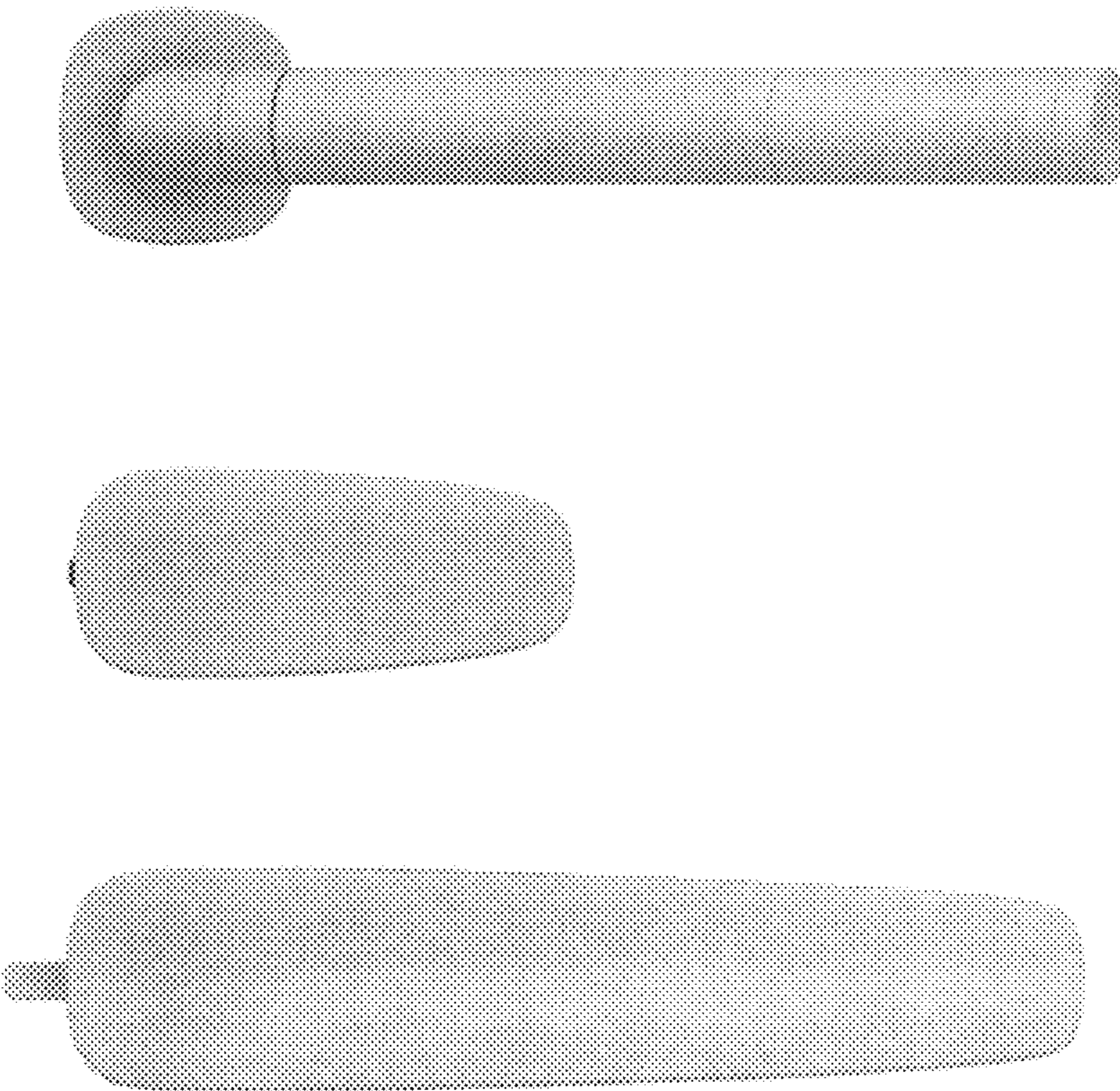


FIG. 7

UNITED STATES PATENT AND TRADEMARK OFFICE
CERTIFICATE OF CORRECTION

PATENT NO. : D662,182 S
APPLICATION NO. : 29/373737
DATED : June 19, 2012
INVENTOR(S) : Matteo Thun


Page 1 of 1

It is certified that error appears in the above-identified patent and that said Letters Patent is hereby corrected as shown below:

Title Page, insert

-- (73) Assignee: ALOYS. F. DORNBRACHT GMBH & CO. KG --

Signed and Sealed this
Sixteenth Day of October, 2012

A handwritten signature in black ink that reads "David J. Kappos". The signature is written in a cursive, slightly slanted style.

David J. Kappos
Director of the United States Patent and Trademark Office