

US00D662178S

(12) **United States Design Patent**
Flowers et al.

(10) **Patent No.:** **US D662,178 S**
(45) **Date of Patent:** **** Jun. 19, 2012**

(54) **SHOWERHEAD**

D637,266 S * 5/2011 Flowers et al. D23/213
D639,382 S 6/2011 Flowers
D649,623 S * 11/2011 Flowers D23/213

(75) Inventors: **Paul Flowers**, Duesseldorf (DE); **Ralf Begerow**, Hemer (DE)

OTHER PUBLICATIONS

(73) Assignee: **Grohe AG**, Hemer (DE)

U.S. Appl. No. 29/391,984, filed May 16, 2011, Paul Flowers.

(**) Term: **14 Years**

* cited by examiner

(21) Appl. No.: **29/400,200**

Primary Examiner — Robin V Webster

(22) Filed: **Aug. 24, 2011**

(74) *Attorney, Agent, or Firm* — Muncy, Geissler, Olds & Lowe, PLLC

(30) **Foreign Application Priority Data**

(57) **CLAIM**

Feb. 28, 2011 (EM) 001827833-0001
Feb. 28, 2011 (EM) 001827833-0002
Feb. 28, 2011 (EM) 001827833-0003

The ornamental design of a showerhead, as shown and described.

(51) **LOC (9) Cl.** **23-01**

(52) **U.S. Cl.** **D23/213**

(58) **Field of Classification Search** D23/213,
D23/229, 230; 4/615; 239/394, 462
See application file for complete search history.

DESCRIPTION

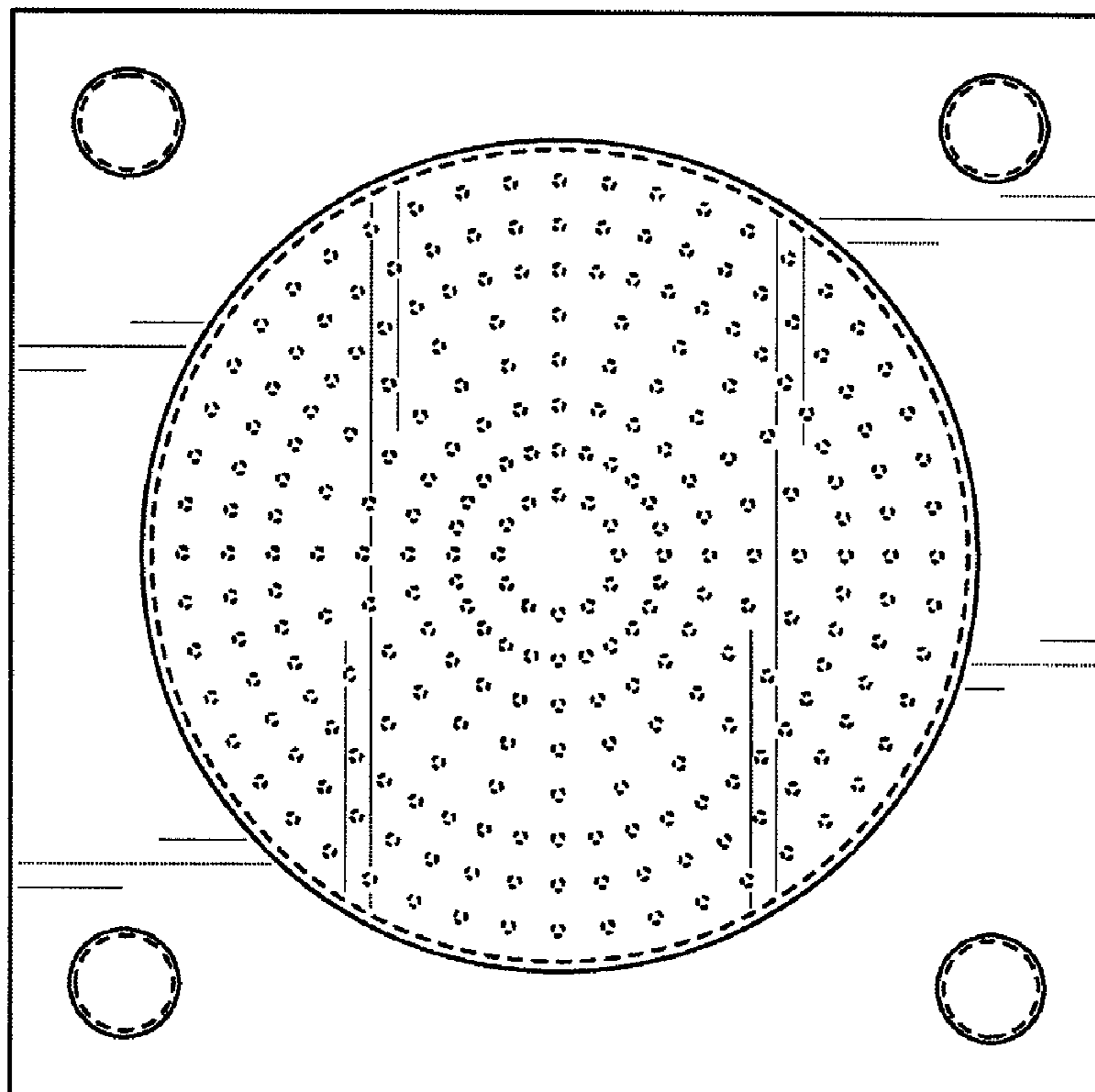
FIG. 1 is a front elevational view of a showerhead according to the present invention; and, FIG. 2 is a left side elevational view of the showerhead of FIG. 1, the right side, top and bottom views being identical thereto. The rear surface is unornamented. The dashed lines illustrate environment that does not form a part of the present invention, and no claim is made to the material illustrated with dashed lines.

(56) **References Cited**

U.S. PATENT DOCUMENTS

D598,520 S * 8/2009 Flowers et al. D23/213
D634,401 S * 3/2011 Flowers et al. D23/213

1 Claim, 1 Drawing Sheet



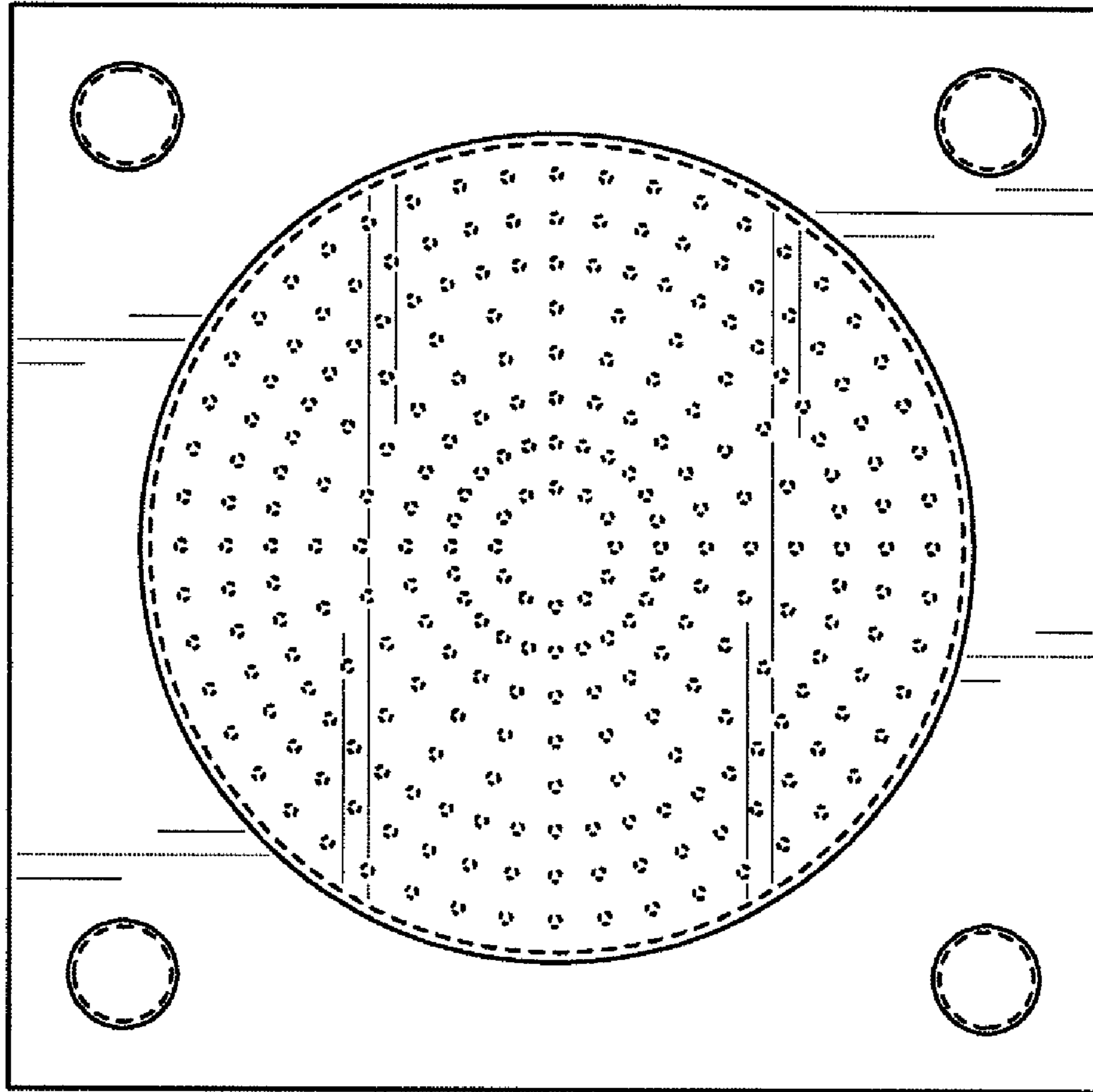


FIG. 1



FIG. 2