



US00D662177S

(12) **United States Design Patent**
Flowers et al.

(10) **Patent No.:** **US D662,177 S**
(45) **Date of Patent:** **** Jun. 19, 2012**

(54) **BODY SPRAY**

(75) Inventors: **Paul Flowers**, Duesseldorf (DE);
Kirstin Bengard, Mettmann (DE)

(73) Assignee: **Grohe AG**, Hemer (DE)

(**) Term: **14 Years**

(21) Appl. No.: **29/398,868**

(22) Filed: **Aug. 5, 2011**

(30) **Foreign Application Priority Data**

Feb. 7, 2011 (EM) 001817610-0009

(51) **LOC (9) Cl.** **23-01**

(52) **U.S. Cl.** **D23/213**

(58) **Field of Classification Search** D23/213,
D23/229, 230; 4/615; 239/394, 462
See application file for complete search history.

(56) **References Cited**

U.S. PATENT DOCUMENTS

D334,046 S *	3/1993	Klose	D23/213
D437,914 S *	2/2001	Fleischmann	D23/213
D486,888 S *	2/2004	Lobermeier	D23/229
D487,301 S *	3/2004	Haug et al.	D23/229

D524,405 S *	7/2006	Hoernig	D23/213
D552,215 S *	10/2007	Huang	D23/229
D555,761 S *	11/2007	Dingler et al.	D23/213
D559,954 S *	1/2008	Bickler et al.	D23/229
D612,009 S *	3/2010	Eilmus	D23/213
D626,627 S *	11/2010	Lobermeier et al.	D23/229

* cited by examiner

Primary Examiner — Robin V Webster

(74) *Attorney, Agent, or Firm* — Muncy, Geissler, Olds & Lowe, PLLC

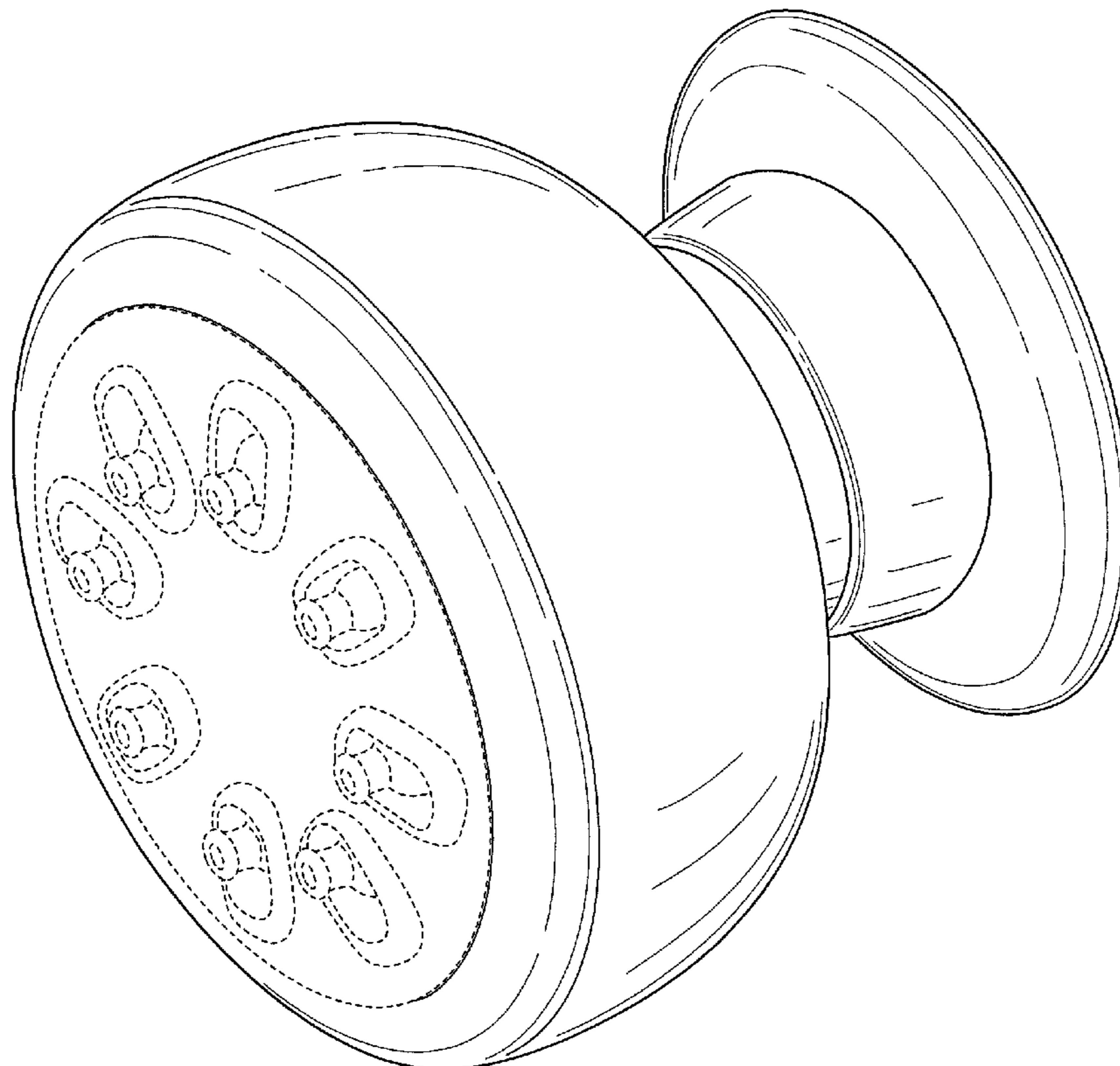
(57) **CLAIM**

The ornamental design for a body spray, as shown and described.

DESCRIPTION

FIG. 1 is a left side elevational view of a body spray according to the present invention. The right side elevational view and top and bottom plan views are identical thereto. FIG. 2 is a front elevational view of the body spray of FIG. 1; the rear of the body spray is unornamented; and, FIG. 3 is a perspective view of the body spray of FIG. 1. The dashed lines illustrate environment that does not form a part of the present invention, and no claim is made to the material illustrated with dashed lines.

1 Claim, 3 Drawing Sheets



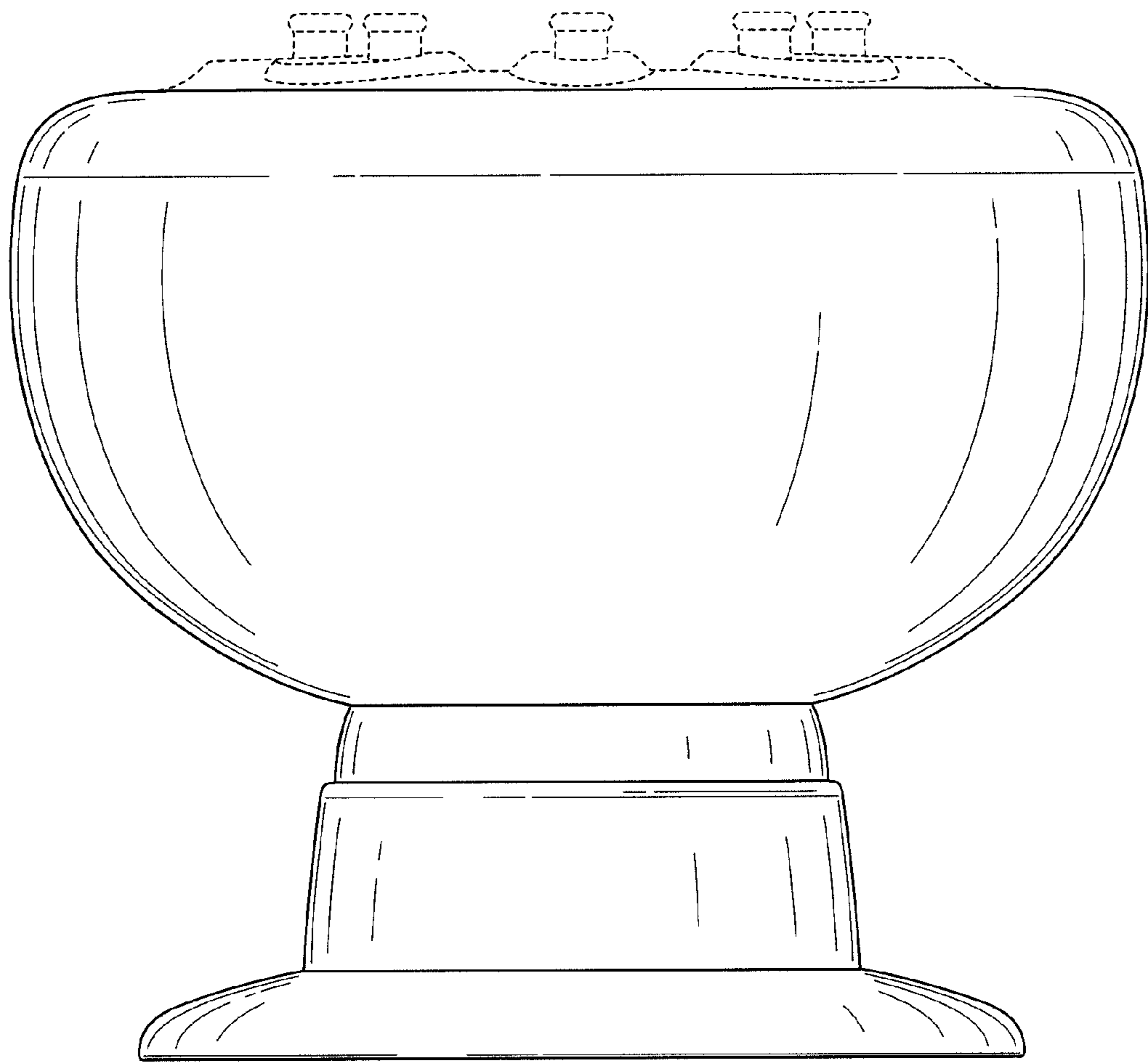


FIG. 1

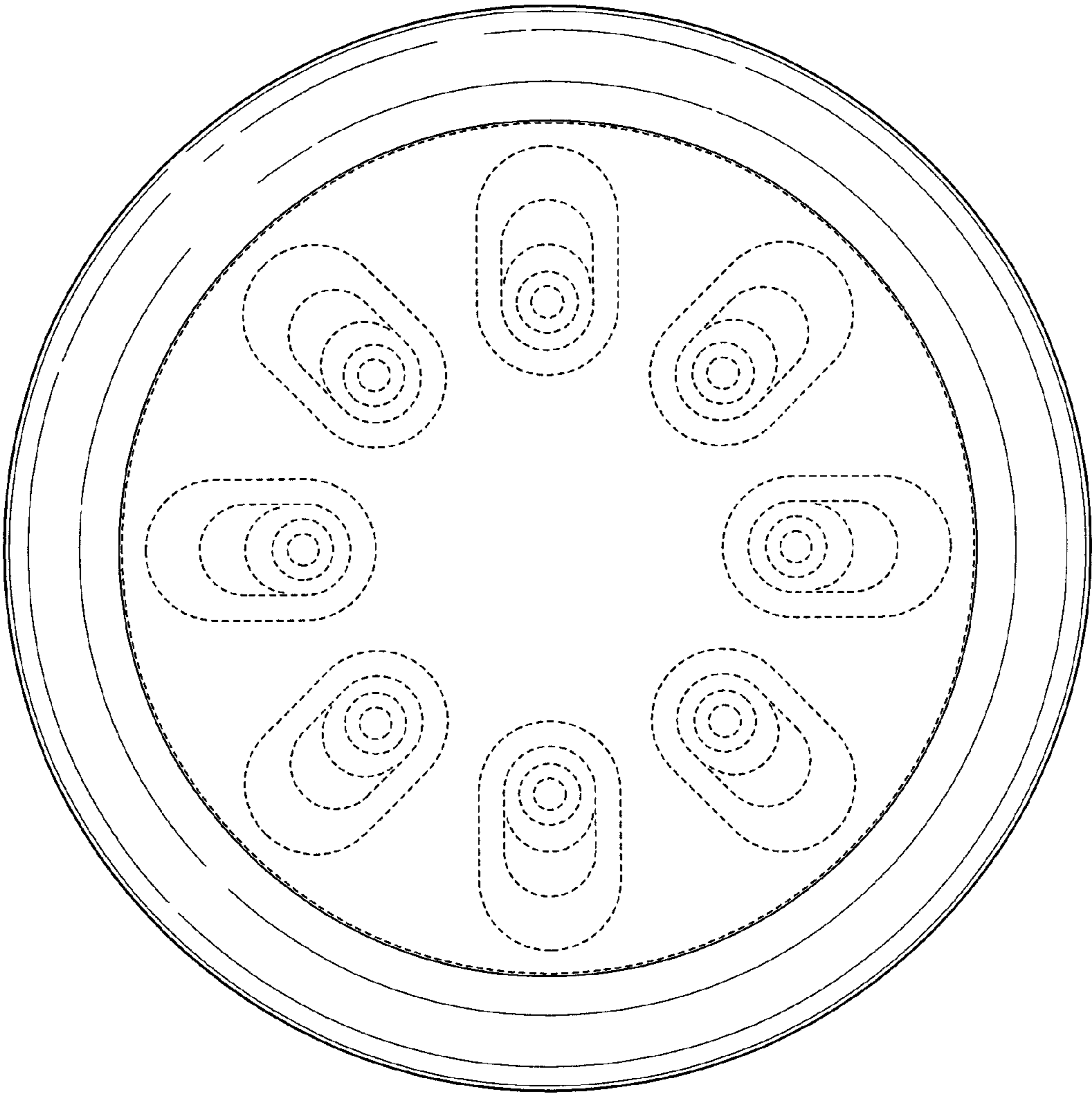


FIG. 2

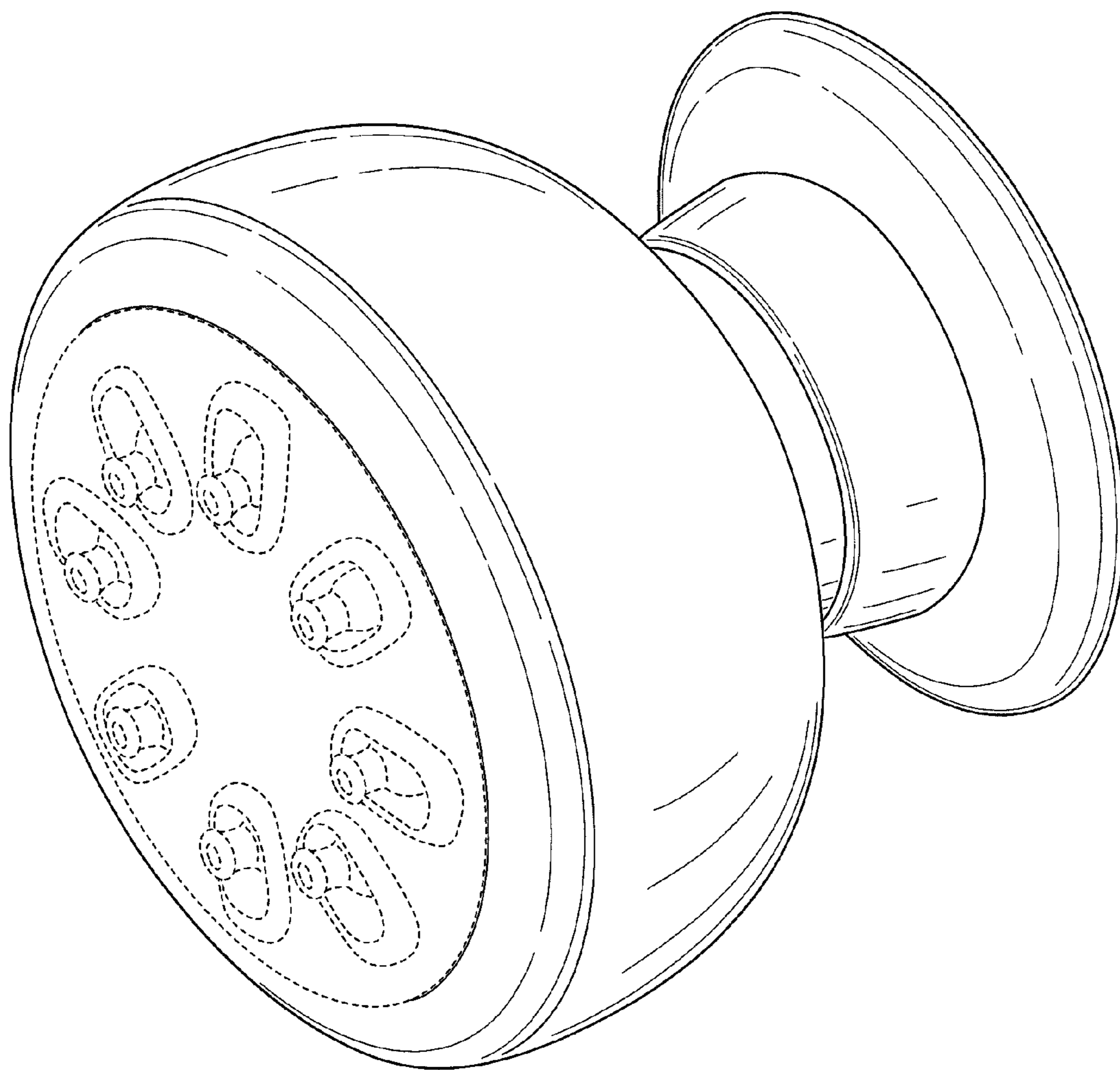


FIG. 3