

US00D662171S

(12) **United States Design Patent**
Dell'Orco

(10) **Patent No.:** **US D662,171 S**
(45) **Date of Patent:** **** Jun. 19, 2012**

(54) **MOUSE BAIT STATION**

(75) Inventor: **Louis Dell'Orco**, Kirkwood, MO (US)

(73) Assignee: **Virbac**, Carros Cedex (FR)

(**) Term: **14 Years**

(21) Appl. No.: **29/380,672**

(22) Filed: **Dec. 9, 2010**

(51) **LOC (9) Cl.** **22-06**

(52) **U.S. Cl.** **D22/119**

(58) **Field of Classification Search** D22/119-124;
43/58, 60-61, 65-66, 69-70, 121, 124, 131,
43/132.1

See application file for complete search history.

(56) **References Cited**

U.S. PATENT DOCUMENTS

4,132,026 A * 1/1979 Dodds 43/131
6,532,696 B2 * 3/2003 Clark et al. 43/131
7,377,072 B2 * 5/2008 Meier et al. 43/131

D582,504 S * 12/2008 Wiesener et al. D22/119
7,669,363 B2 * 3/2010 Frisch 43/131
D647,590 S * 10/2011 Watson et al. D22/119

* cited by examiner

Primary Examiner — Catheri Oliver

(74) *Attorney, Agent, or Firm* — Buchanan Ingersoll & Rooney PC

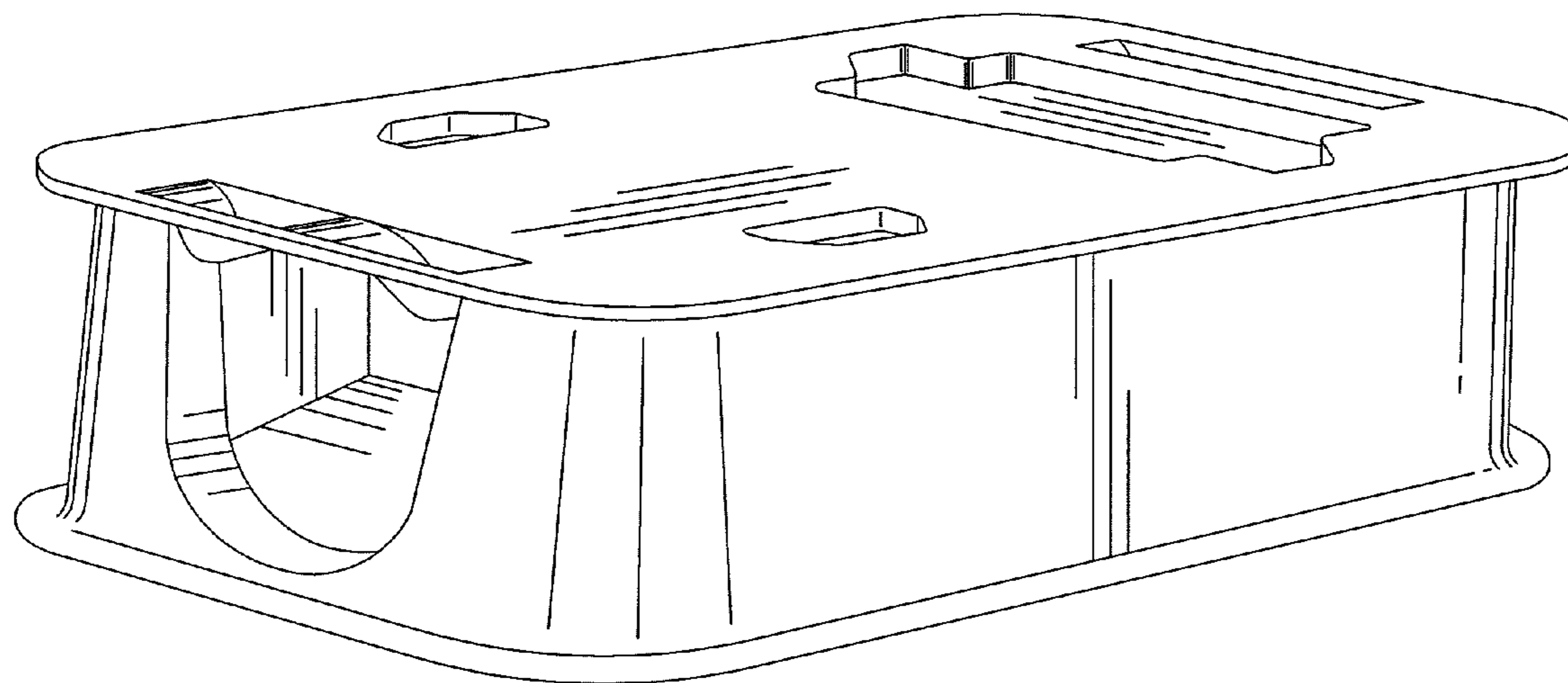
(57) **CLAIM**

The ornamental design for a mouse bait station, as shown and described.

DESCRIPTION

FIG. 1 is a front and side perspective view of a mouse bait station according to my new design;
FIG. 2 is a front perspective view thereof.
FIG. 3 is a rear perspective view thereof.
FIG. 4 is a right side perspective view thereof.
FIG. 5 is a left side perspective view thereof.
FIG. 6 is a top perspective view thereof; and,
FIG. 7 is a bottom perspective view thereof.

1 Claim, 7 Drawing Sheets



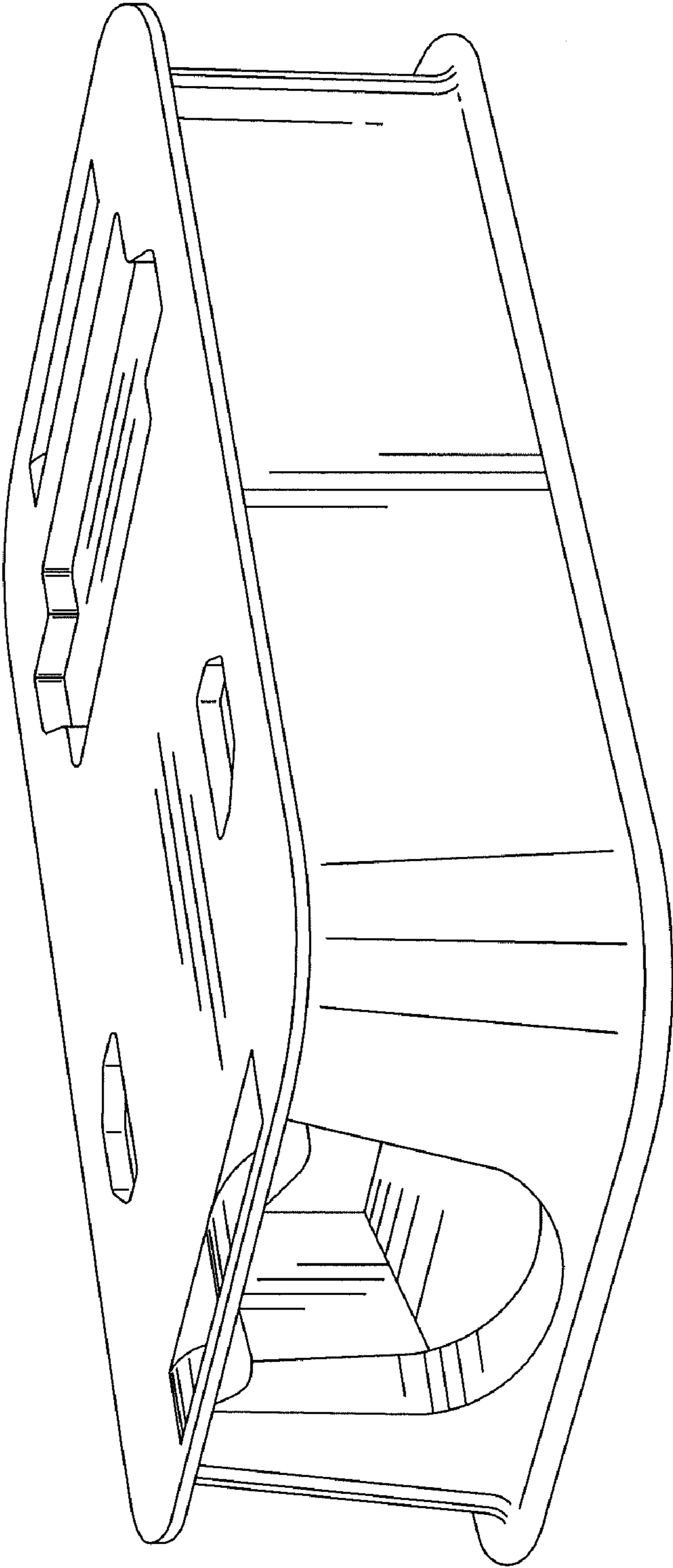


FIG. 1

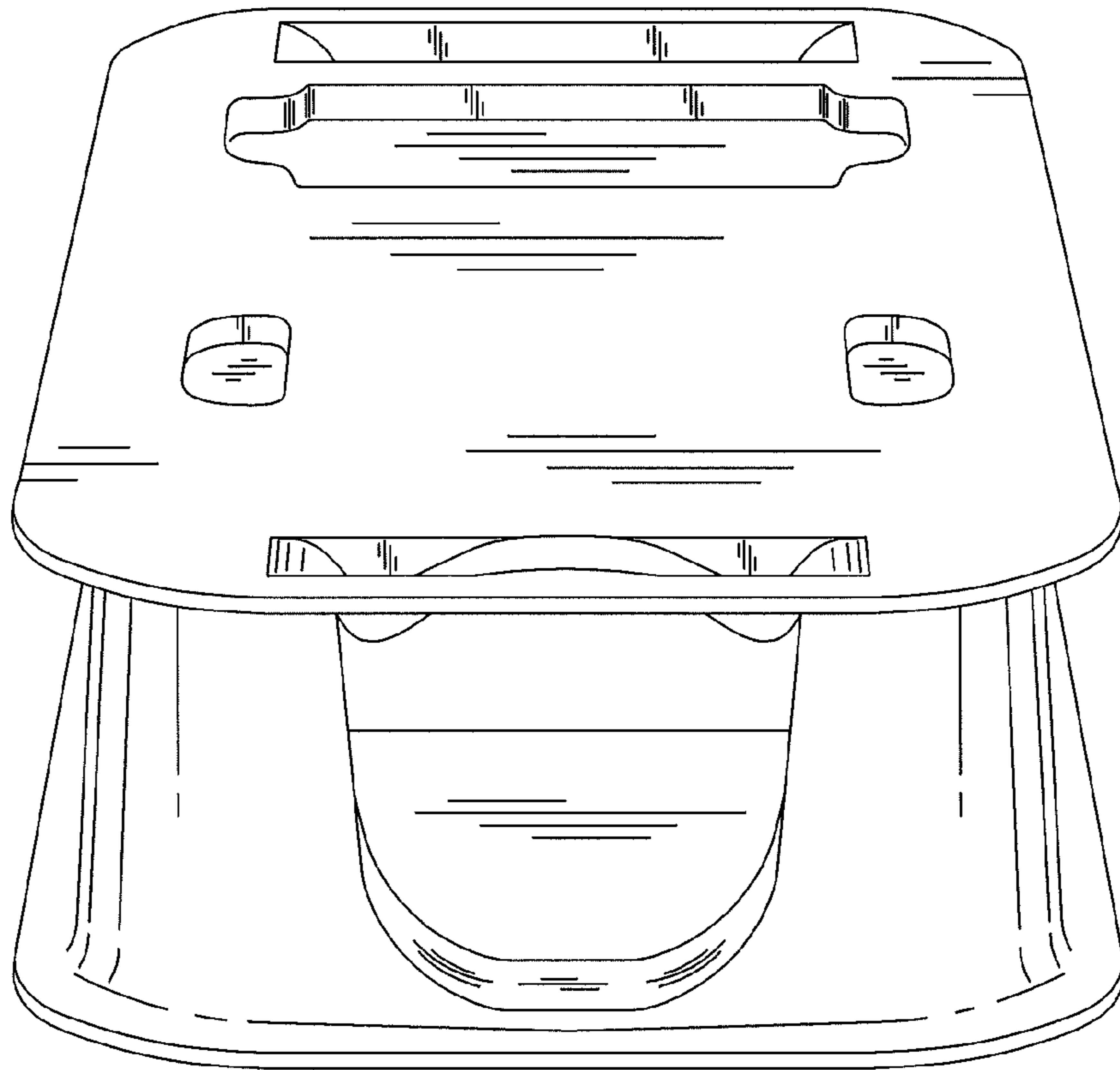


FIG. 2

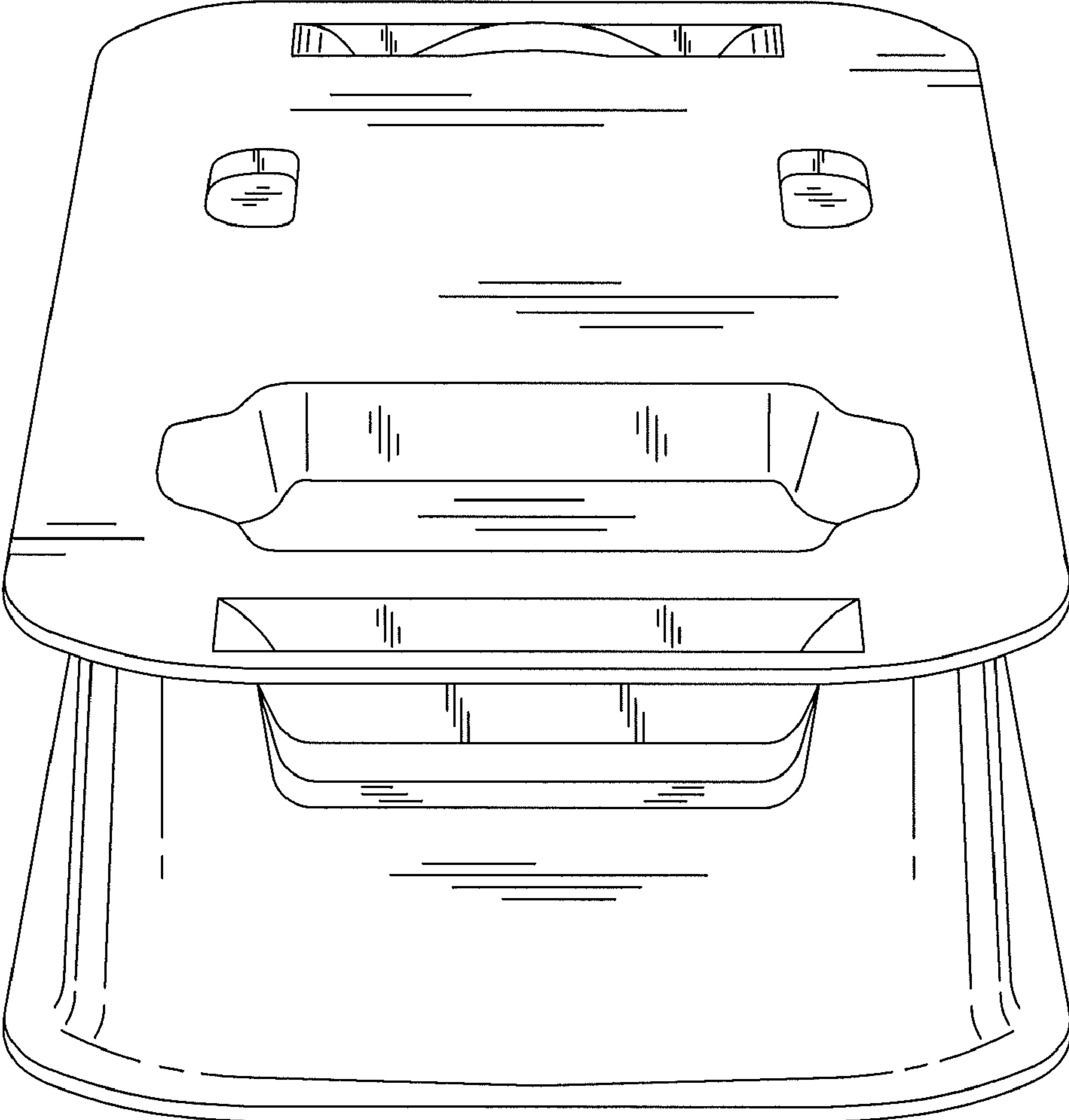


FIG. 3

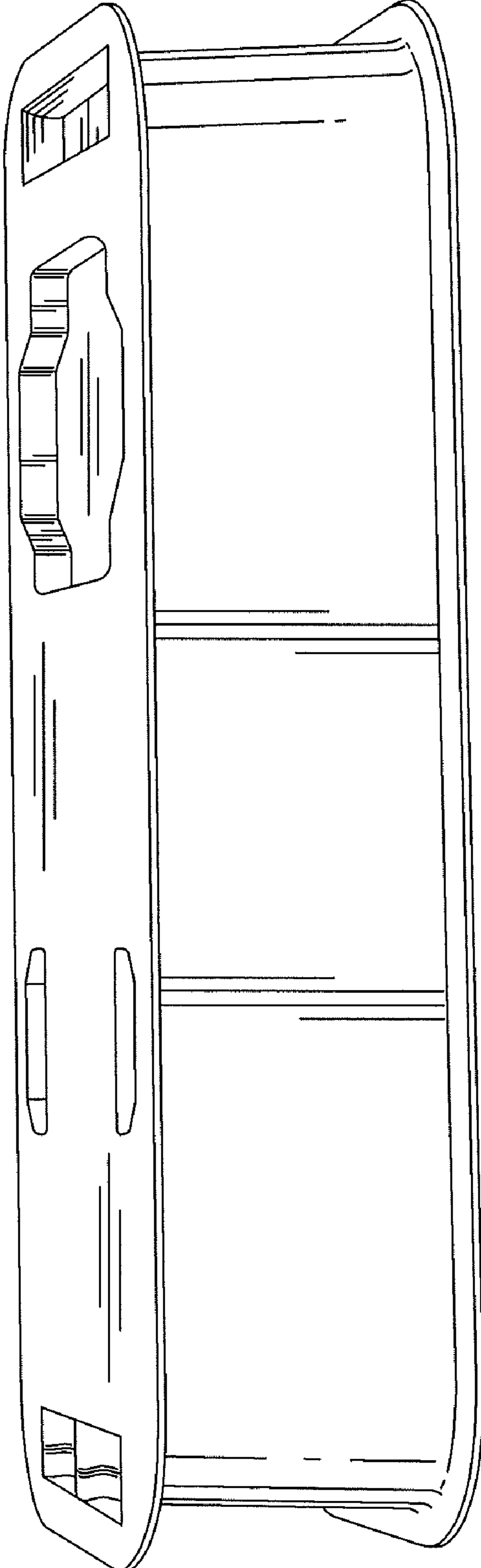


FIG. 4

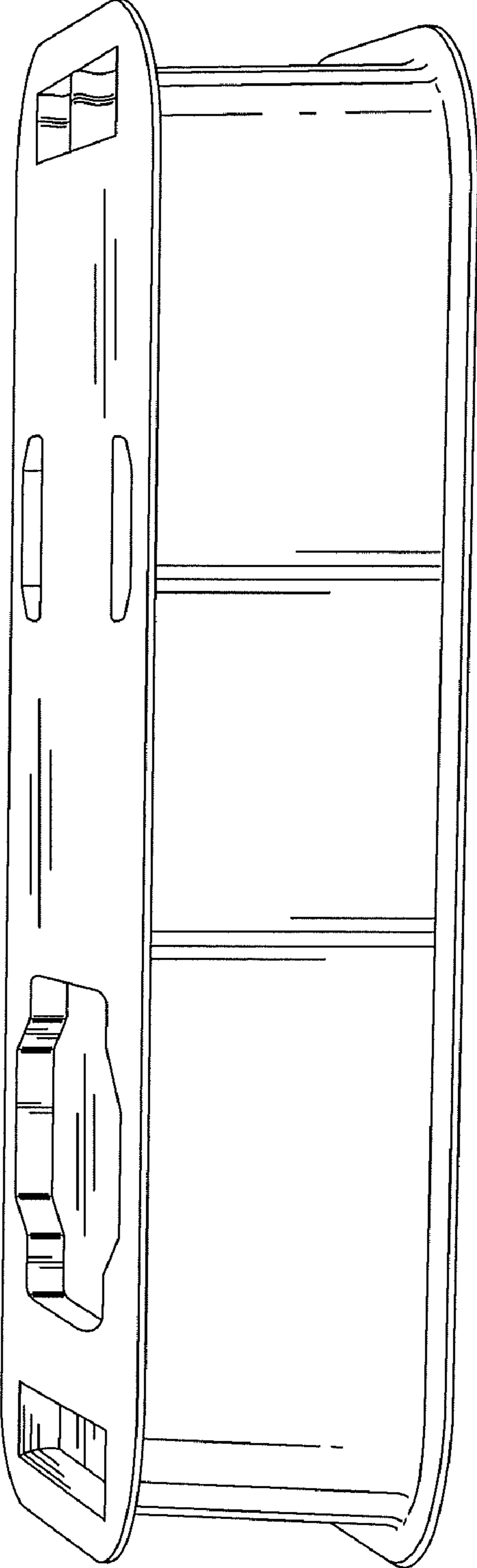


FIG. 5

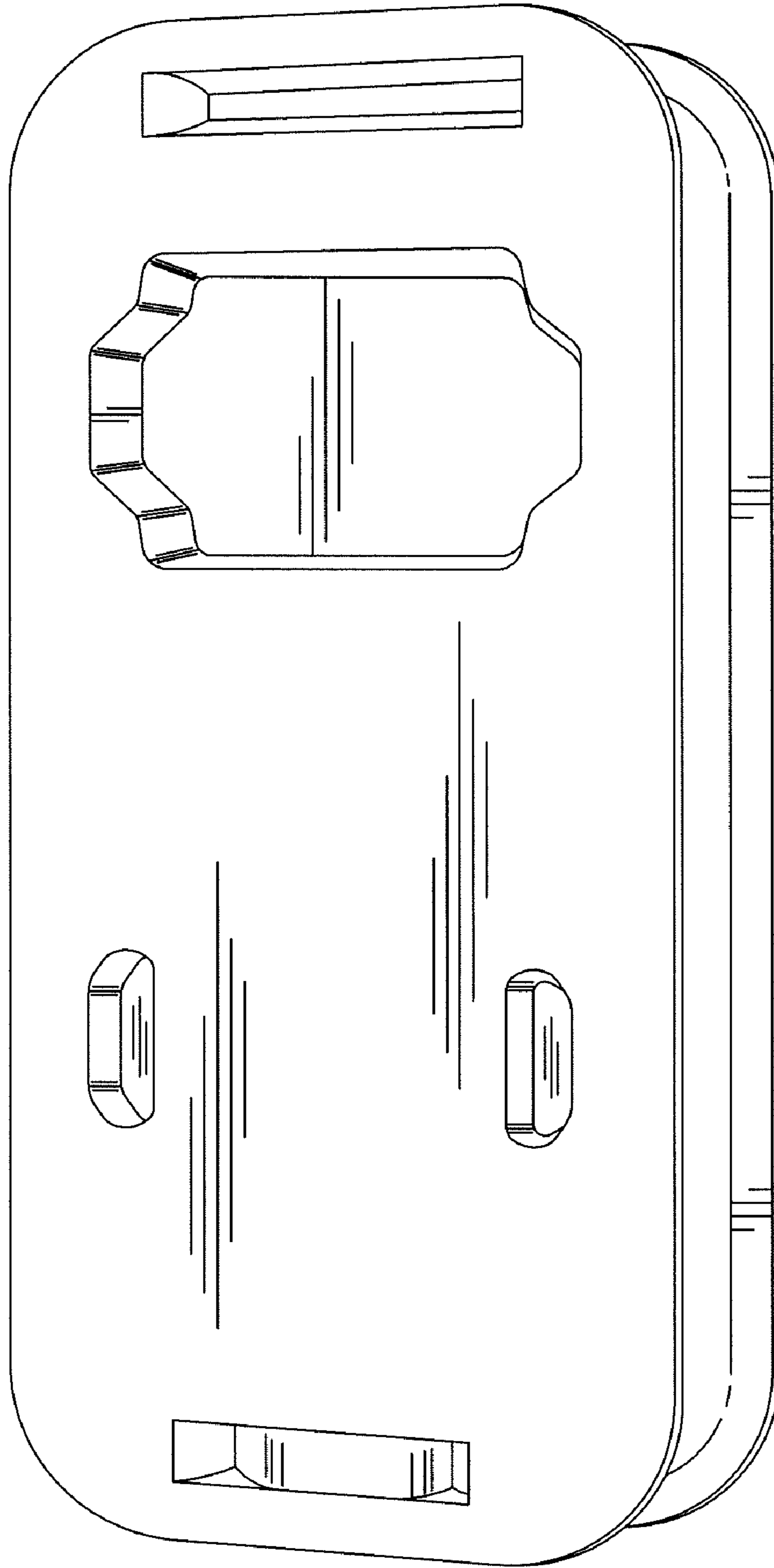


FIG. 6

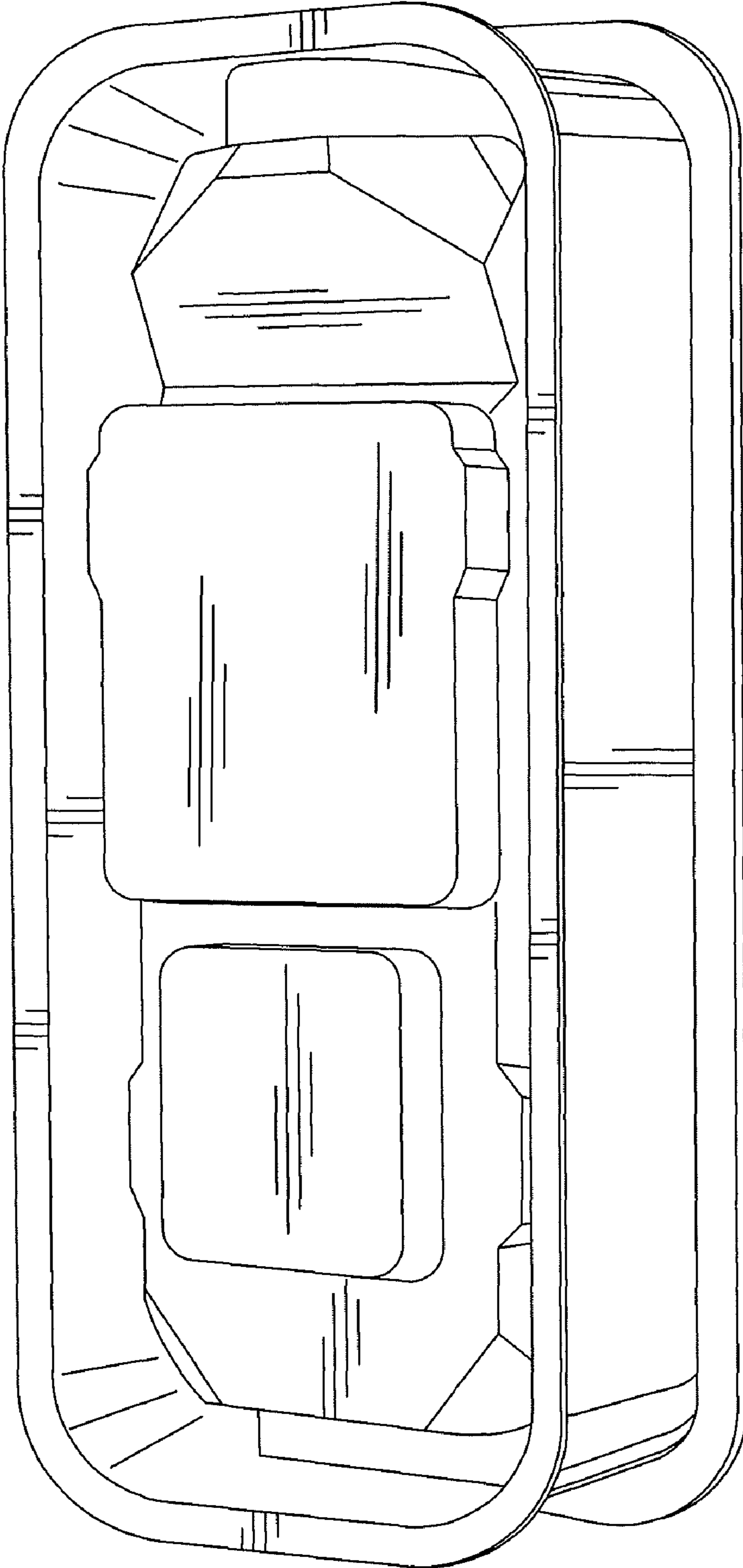


FIG. 7