



US00D662170S

(12) **United States Design Patent**
Keng

(10) **Patent No.:** **US D662,170 S**
(45) **Date of Patent:** **** Jun. 19, 2012**

- (54) **PISTOL REAR SIGHT**
 - (75) Inventor: **Da Keng**, Atlanta, GA (US)
 - (73) Assignee: **Keng's Firearms Specialty, Inc.**,
Atlanta, GA (US)
 - (**) Term: **14 Years**
 - (21) Appl. No.: **29/374,036**
 - (22) Filed: **Jun. 27, 2011**
 - (51) **LOC (9) Cl.** **22-01**
 - (52) **U.S. Cl.** **D22/109**
 - (58) **Field of Classification Search** D22/108-110,
D22/199; 89/111-133; 359/399, 823, 744;
42/104, 105, 111-113, 116, 120, 124-126,
42/127-129, 141-148, 133-140; 33/227,
33/229
- See application file for complete search history.

D436,393 S *	1/2001	Ling, Jr.	D22/109
D447,205 S	8/2001	Keng		
6,834,457 B1 *	12/2004	Warren	42/141
D512,118 S *	11/2005	Warren	D22/109
D512,760 S *	12/2005	Warren	D22/109
D520,592 S *	5/2006	Warren	D22/109
D534,986 S *	1/2007	Warren et al.	D22/109
D638,902 S *	5/2011	Emde	D22/109

* cited by examiner

Primary Examiner — Michael Pratt

(74) *Attorney, Agent, or Firm* — Rodgers & Rodgers

(57) **CLAIM**

The ornamental design for a pistol rear sight, as shown and described.

DESCRIPTION

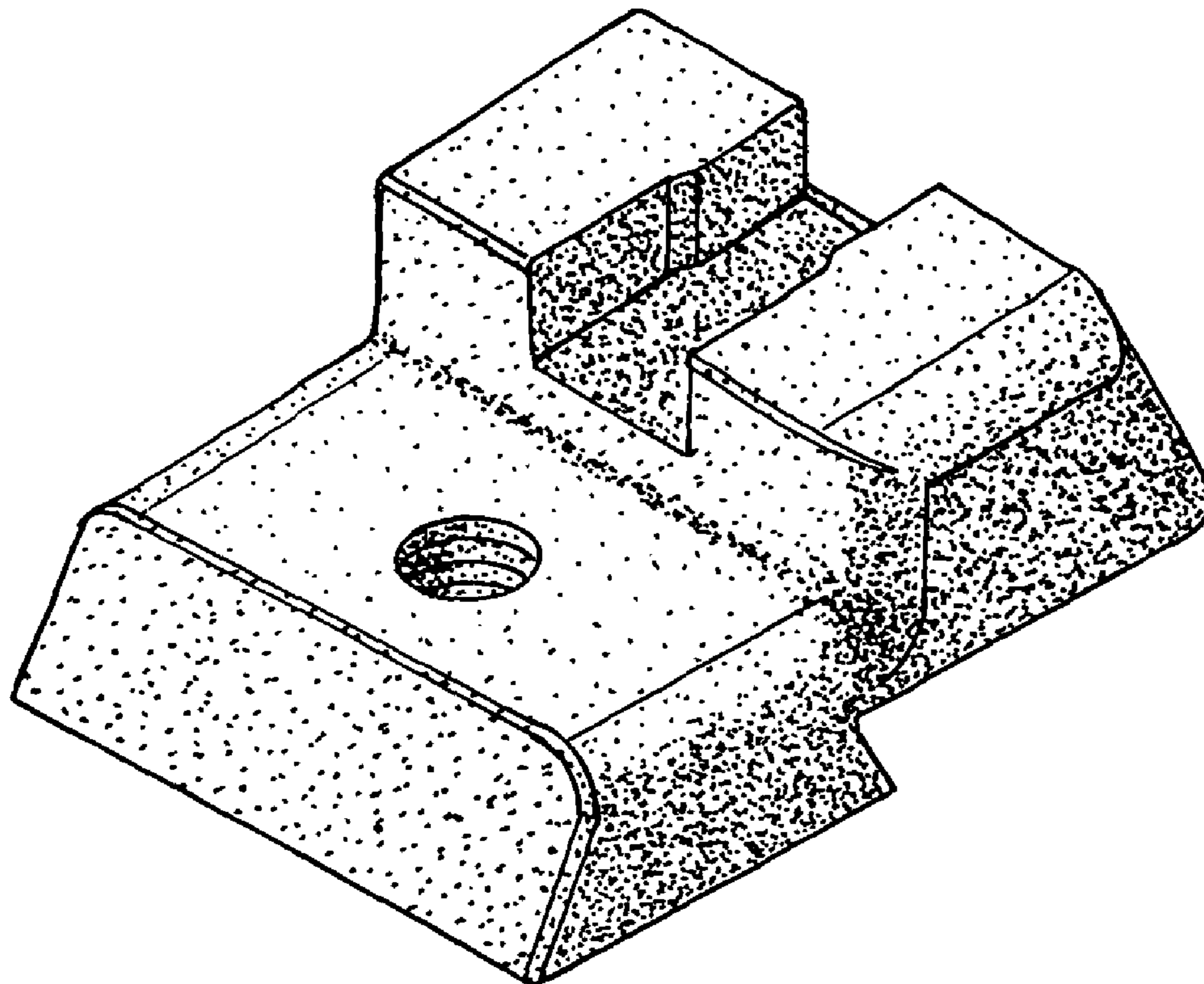
FIG. 1 is a perspective view of a pistol rear sight showing my new design;
 FIG. 2 is a top plan view thereof;
 FIG. 3 is a right-side elevational view thereof rotated counterclockwise 90 degrees;
 FIG. 4 is a front elevational view thereof, the rear being a mirror image thereof;
 FIG. 5 is a left-side elevational view thereof; and,
 FIG. 6 is a bottom plan view thereof.

1 Claim, 2 Drawing Sheets

(56) **References Cited**

U.S. PATENT DOCUMENTS

D301,512 S *	6/1989	Novak	D22/109
D305,146 S *	12/1989	Novak	D22/109
D305,561 S *	1/1990	Novak	D22/109
D351,449 S *	10/1994	Dagley	D22/109
D403,734 S *	1/1999	Kay	D22/109
D432,618 S *	10/2000	Wilson	D22/109



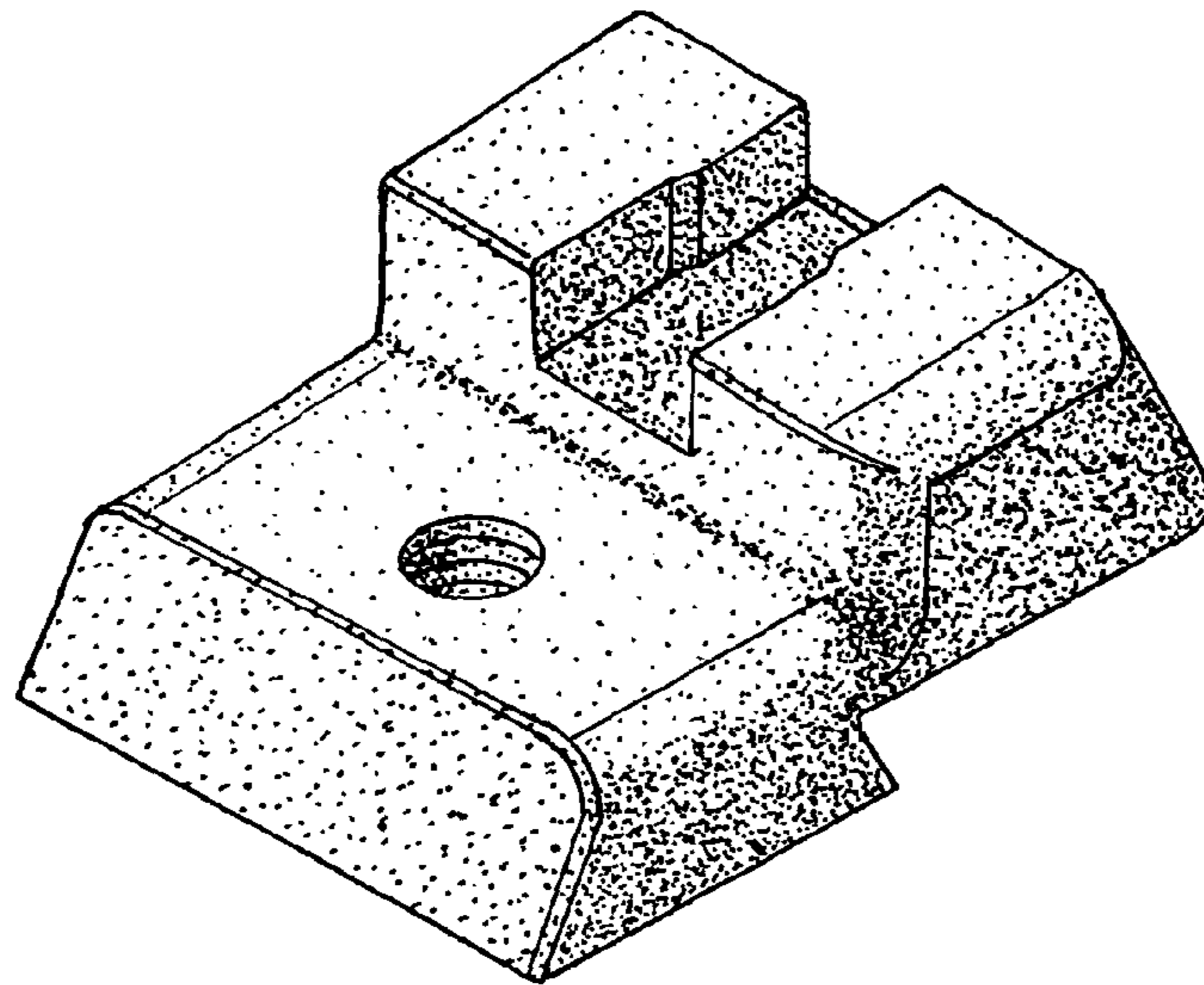


FIG. 1

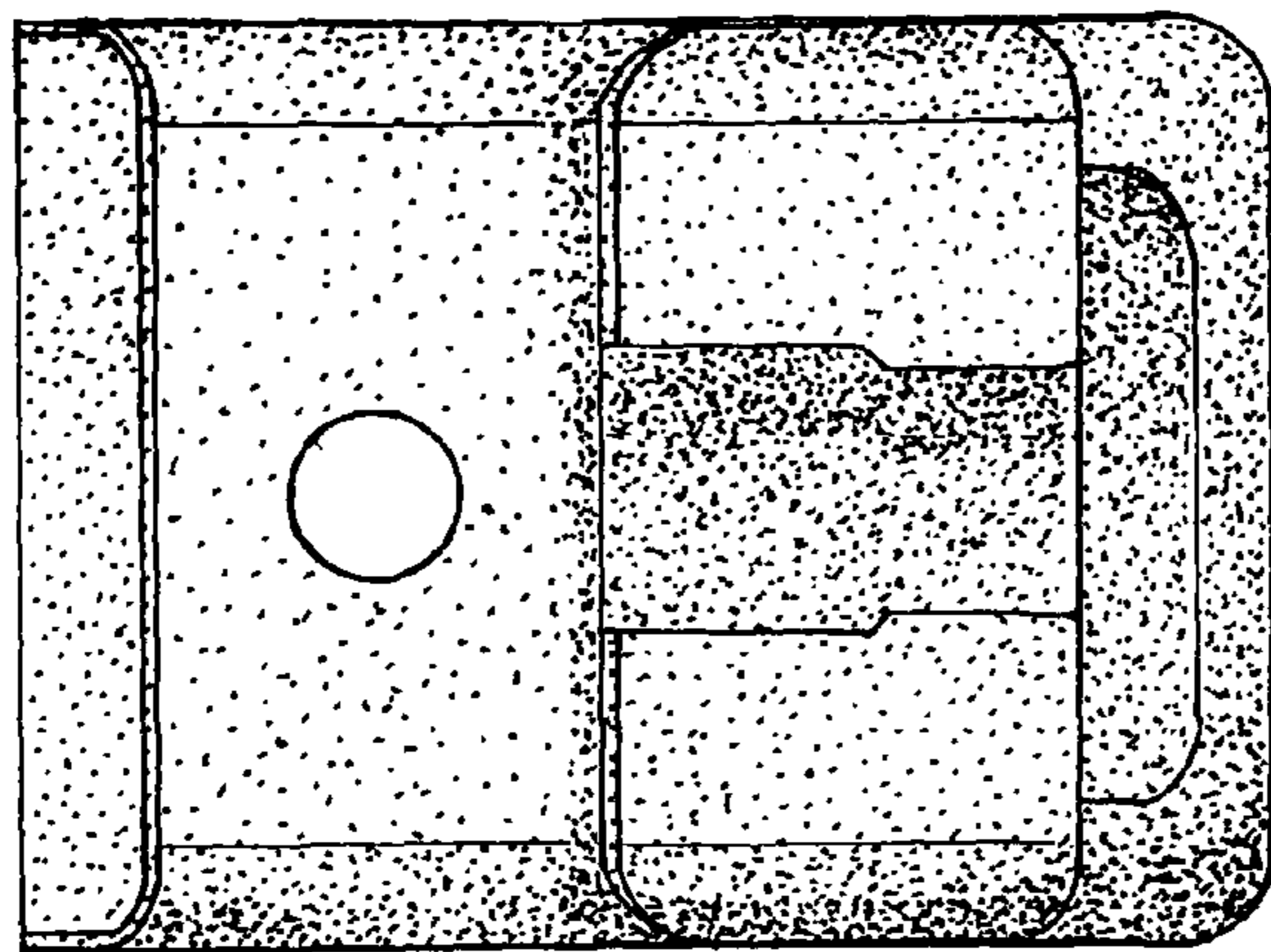


FIG. 2

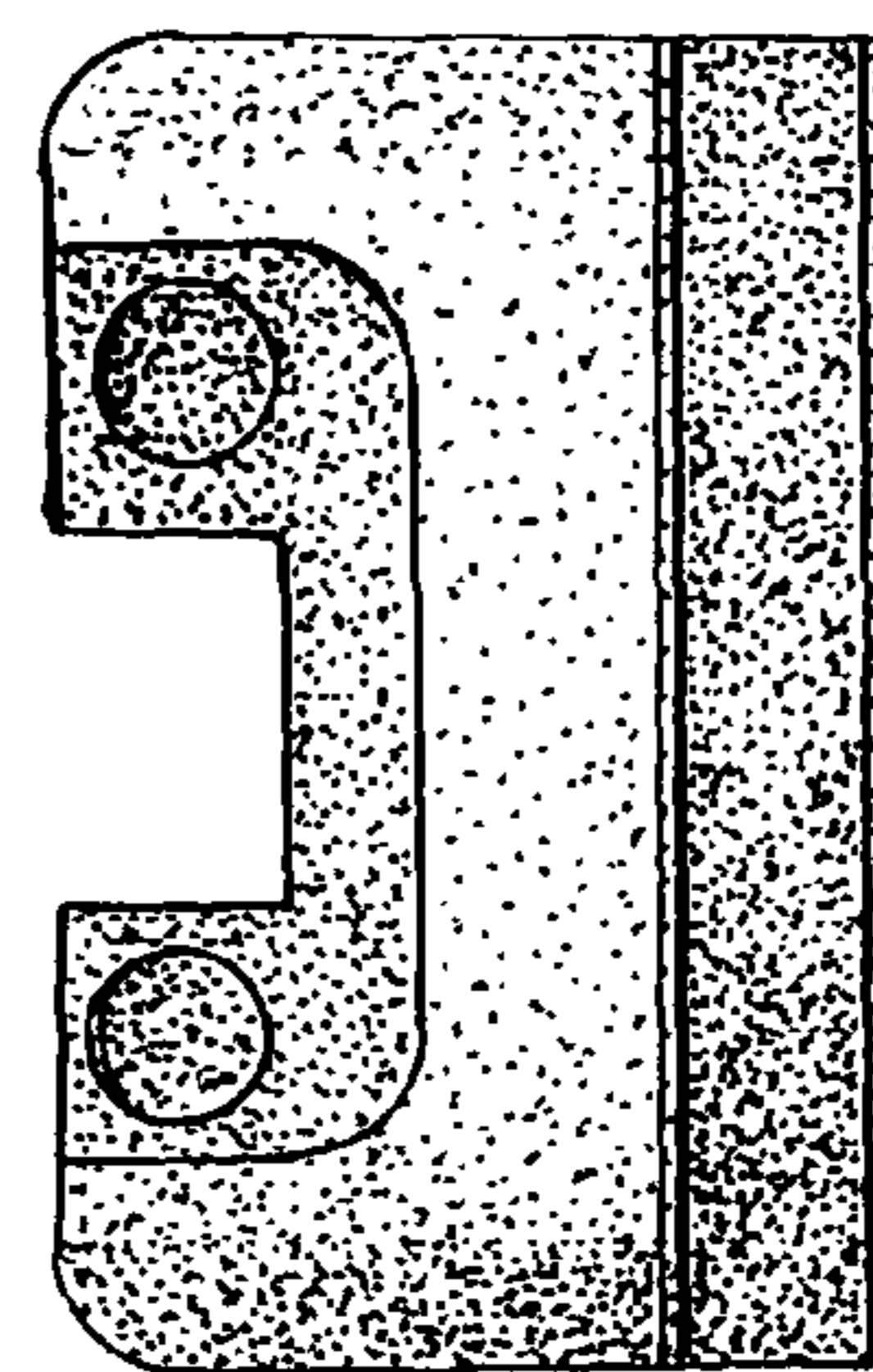


FIG. 3

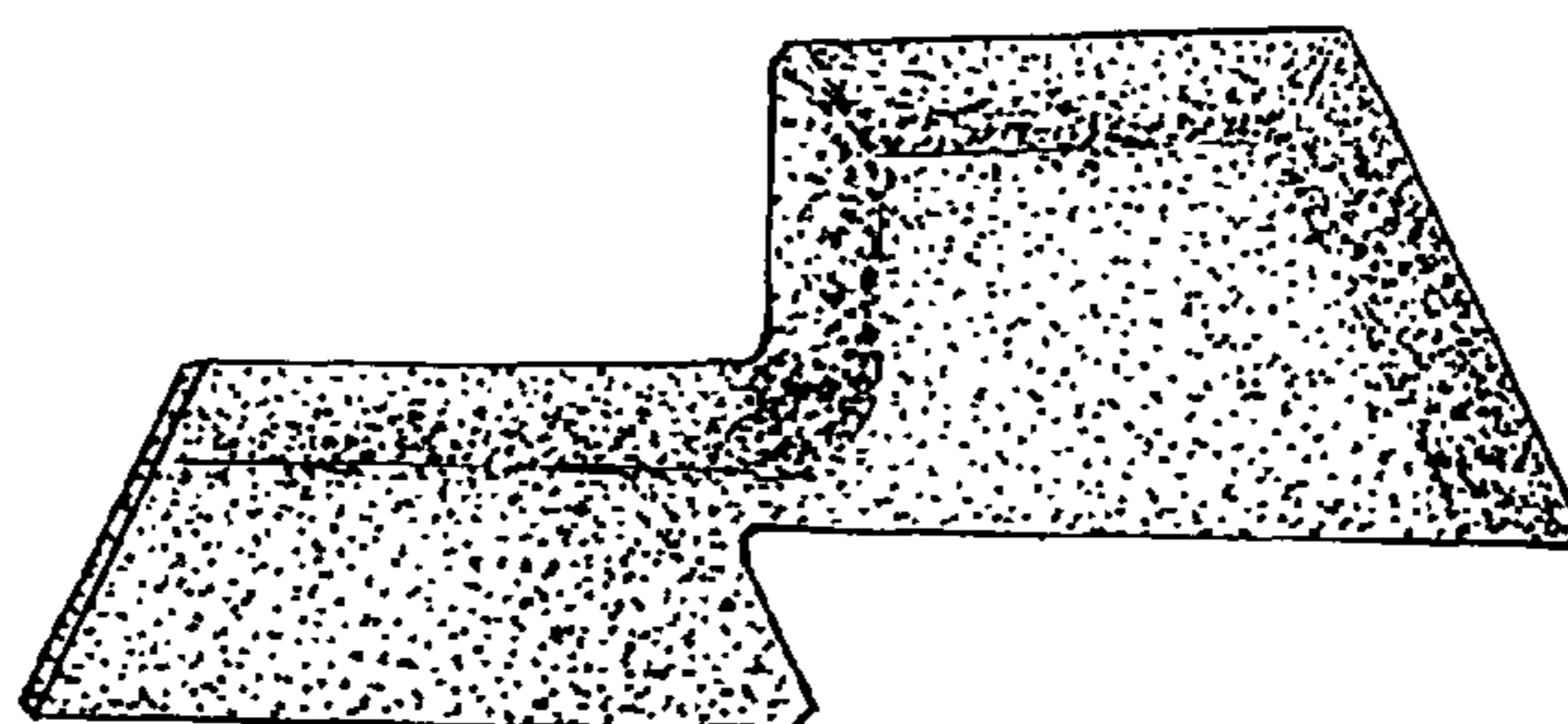


FIG. 4

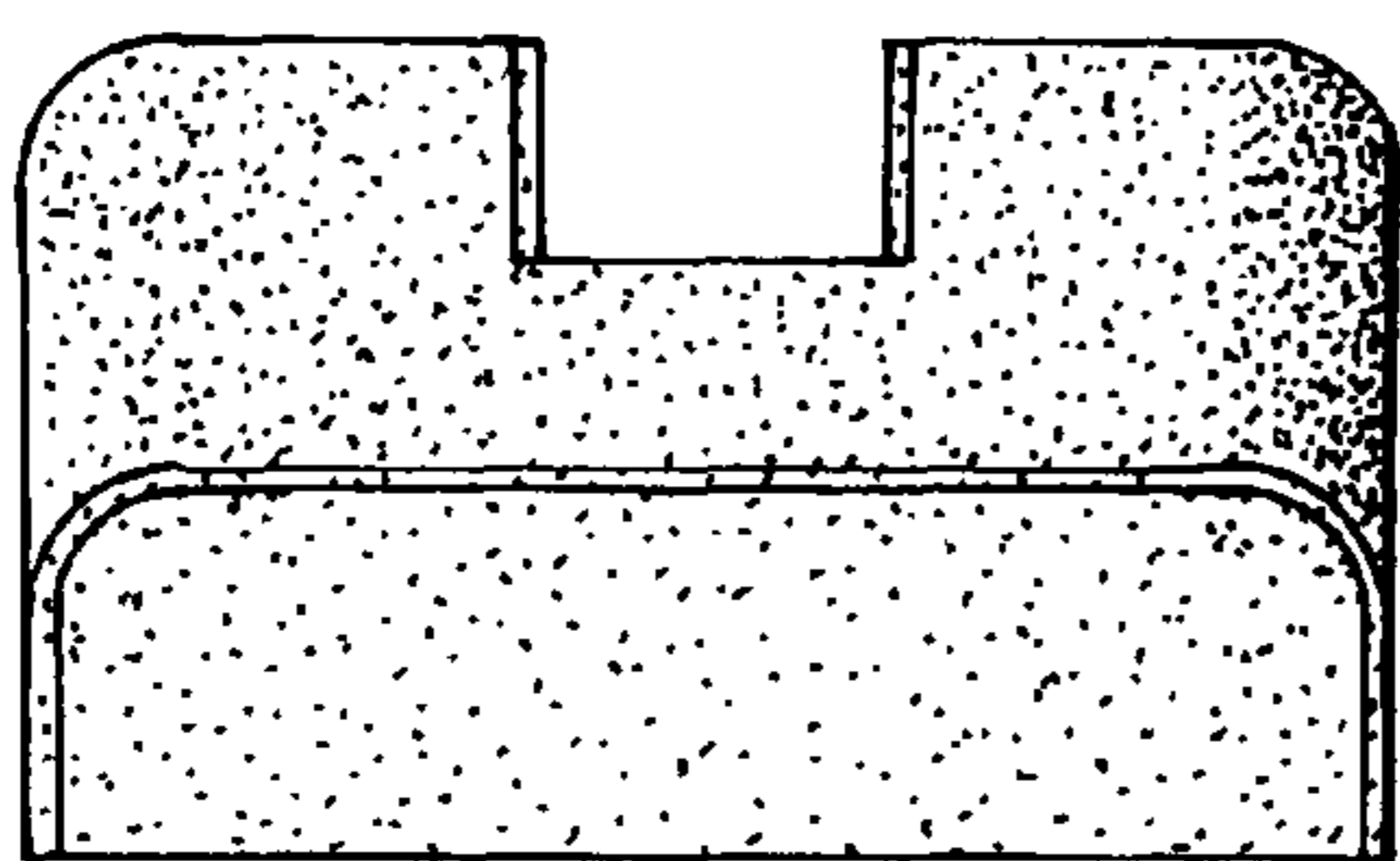


FIG. 5

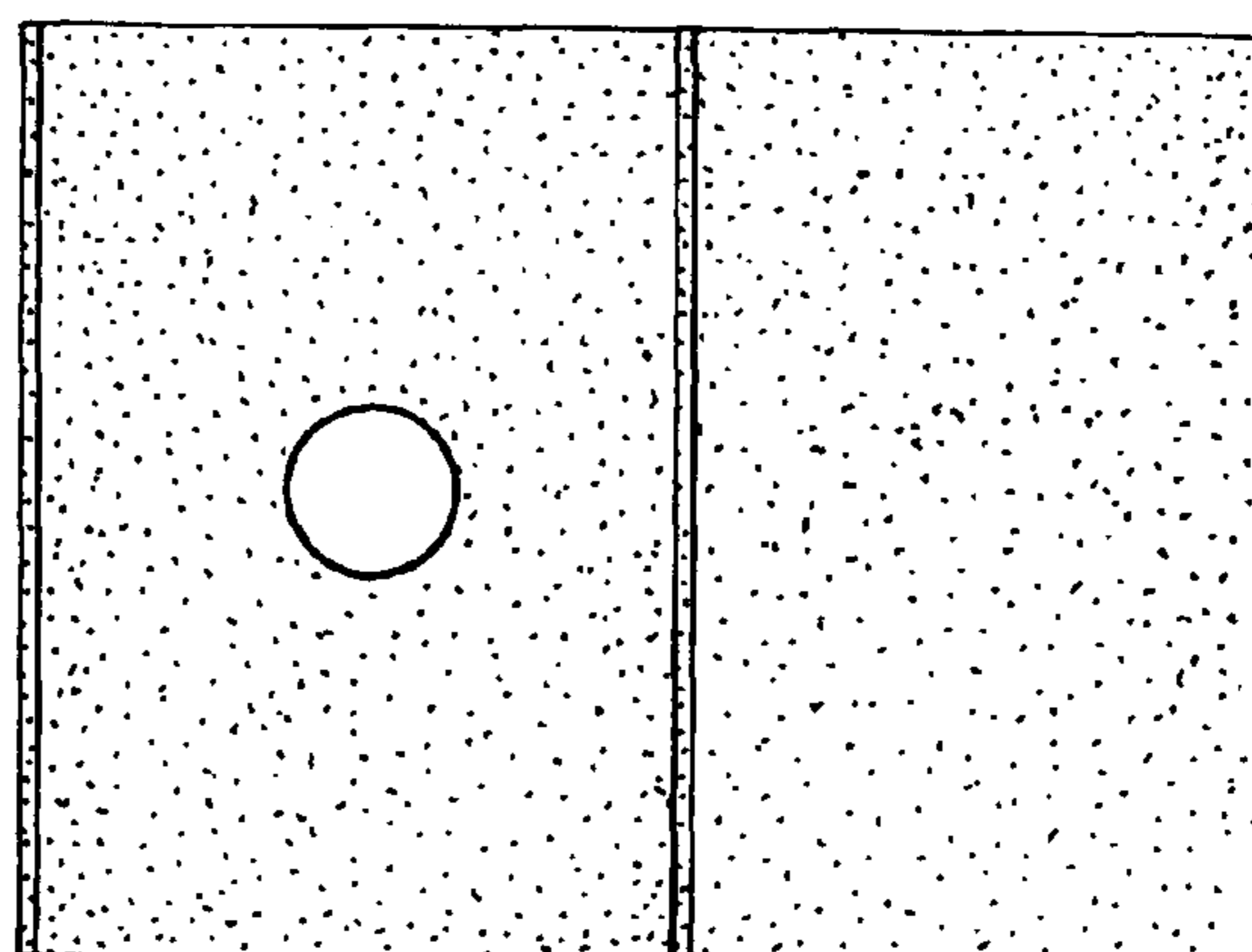


FIG. 6