



US00D662169S

(12) **United States Design Patent**
Arnedo Vera et al.

(10) **Patent No.:** **US D662,169 S**
(45) **Date of Patent:** **** Jun. 19, 2012**

(54) **GUN BARREL**

(75) Inventors: **Julian Arnedo Vera**, Barcelona (ES);
Victor Tresserras Torre, Barcelona (ES)

(73) Assignee: **Gamo Outdoor, S.L.**, Barcelona (ES)

(**) Term: **14 Years**

(21) Appl. No.: **29/396,236**

(22) Filed: **Jun. 28, 2011**

(30) **Foreign Application Priority Data**

Jan. 17, 2011 (WO) DM/075 137

(51) **LOC (9) Cl.** **22-01**

(52) **U.S. Cl.** **D22/108**

(58) **Field of Classification Search** D22/108;
42/8-12, 44, 63-64, 76.01, 76.02-76.1; 89/14.05,
89/14.1-14.8

See application file for complete search history.

(56) **References Cited**

U.S. PATENT DOCUMENTS

1,329,361 A * 2/1920 Blizard 42/112
4,010,564 A * 3/1977 Pettit 42/112
D285,331 S * 8/1986 Cellini D22/108

5,018,293 A * 5/1991 Mainland 42/77
D592,271 S * 5/2009 Salva D22/108
D606,154 S * 12/2009 Casas Salva D22/108
7,966,762 B2 * 6/2011 Barrett 42/75.03
2010/0307042 A1 * 12/2010 Jarboe et al. 42/6

FOREIGN PATENT DOCUMENTS

DE 3218550 A1 * 11/1983

* cited by examiner

Primary Examiner — Michael Pratt

(74) *Attorney, Agent, or Firm* — Nixon & Vanderhye P.C.

(57) **CLAIM**

The ornamental design for a gun barrel, as shown and described.

DESCRIPTION

FIG. 1 is a top, right side perspective view showing our new design;

FIG. 2 is a right side view thereof;

FIG. 3 is a left side view thereof;

FIG. 4 is a rear view thereof;

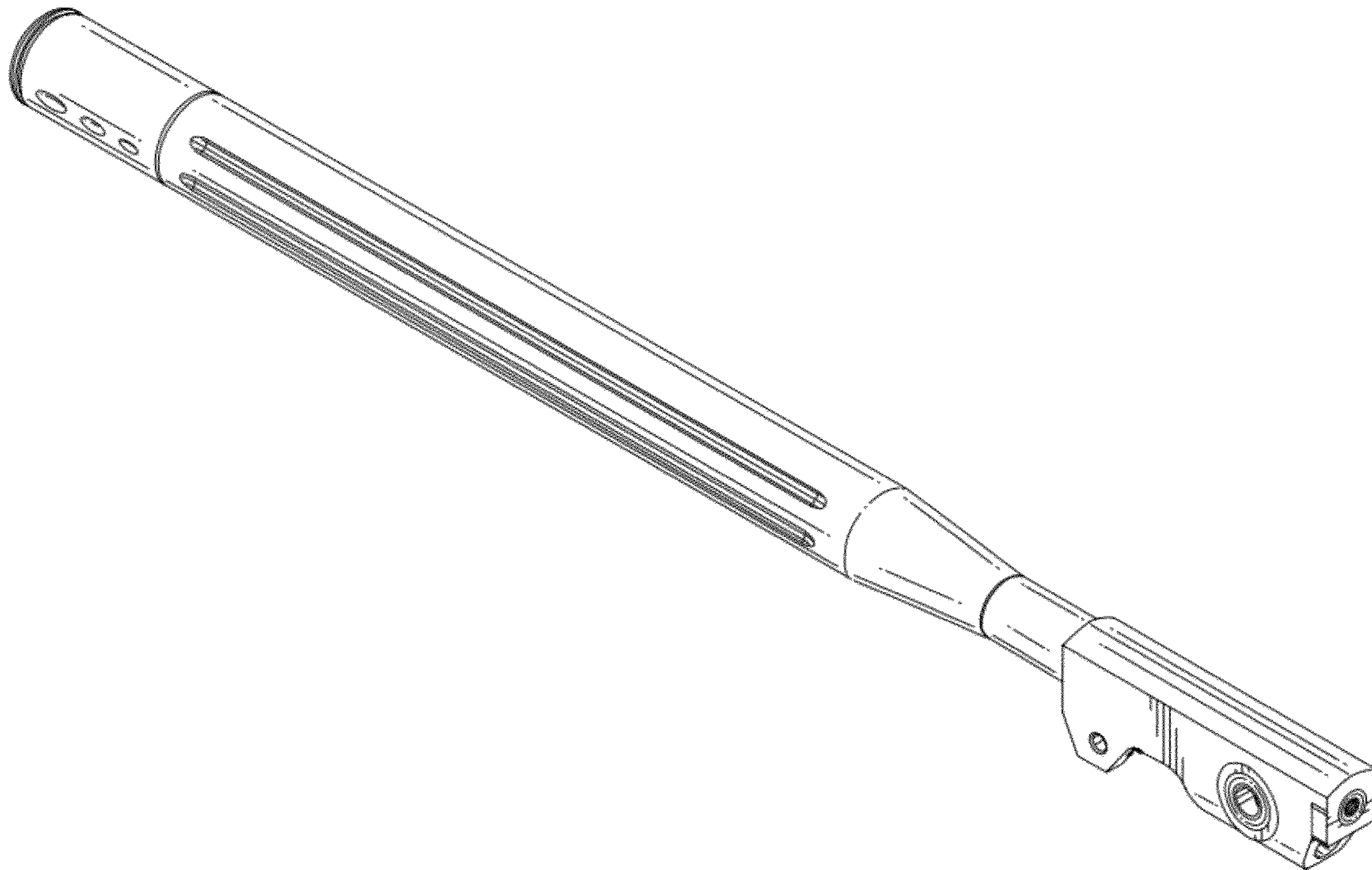
FIG. 5 is a front view thereof;

FIG. 6 is a top view thereof;

FIG. 7 is a bottom view thereof; and,

FIG. 8 is a bottom, right side perspective view thereof.

1 Claim, 4 Drawing Sheets



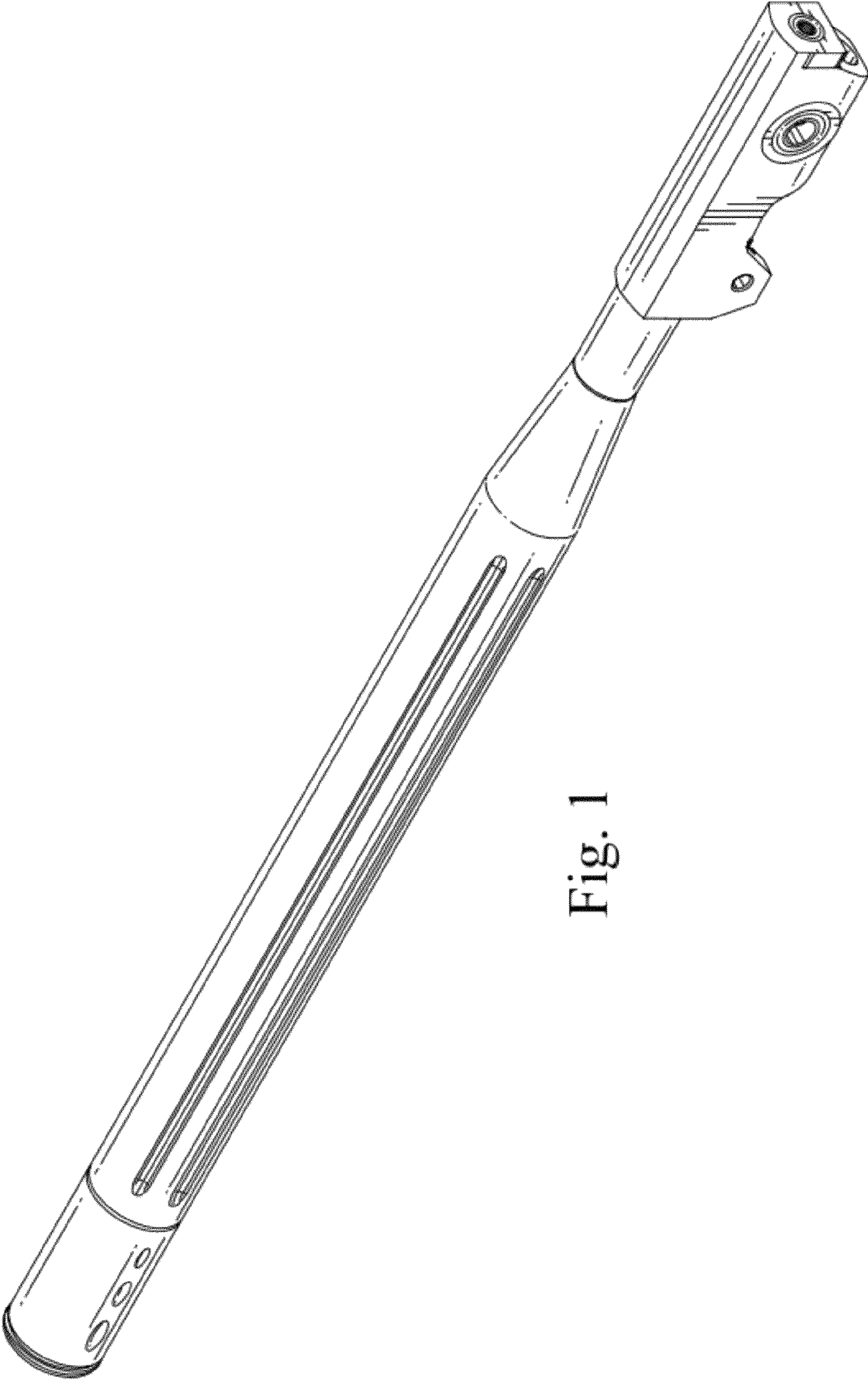


Fig. 1

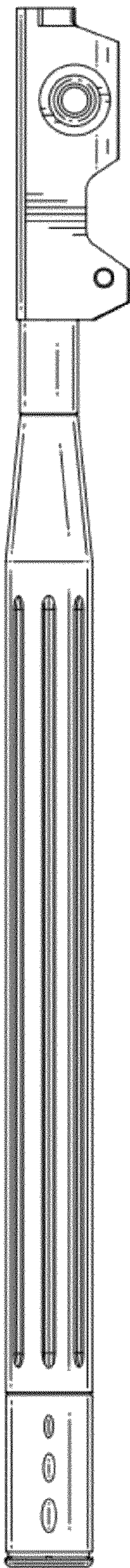


Fig. 2

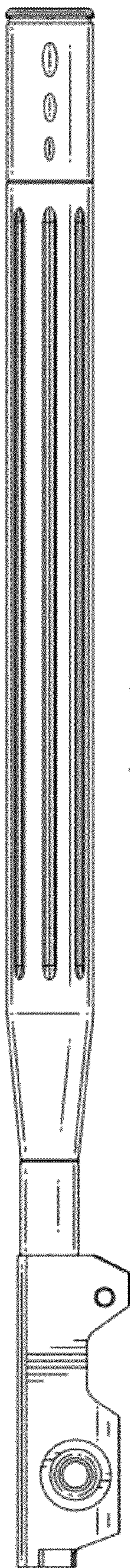


Fig. 3

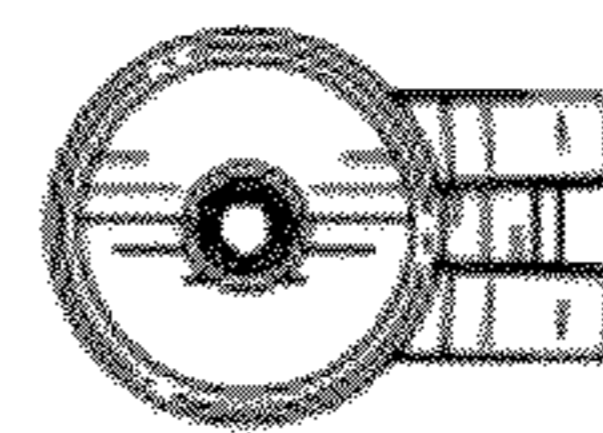


Fig. 5

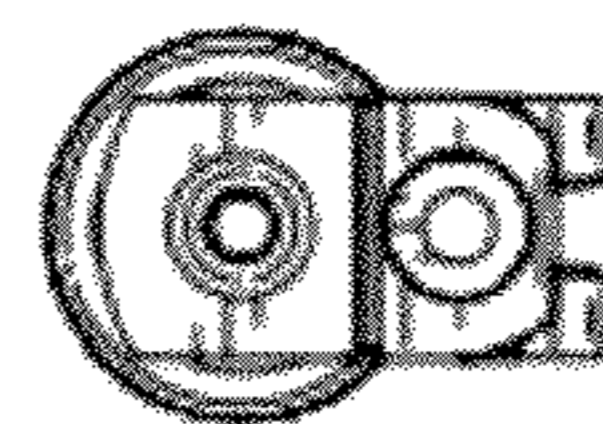


Fig. 4

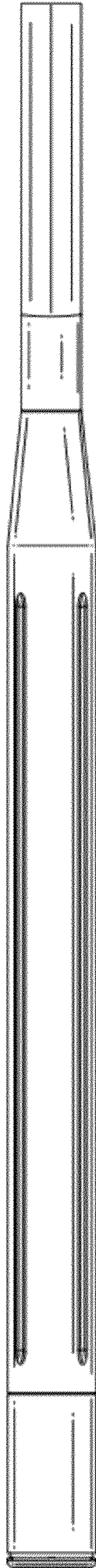


Fig. 6

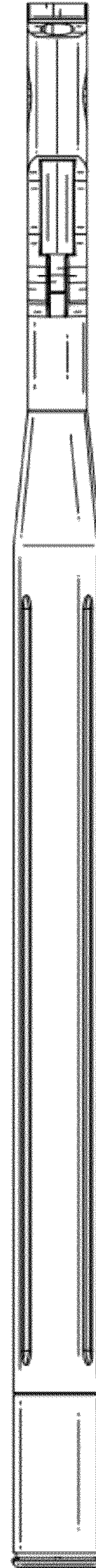


Fig. 7

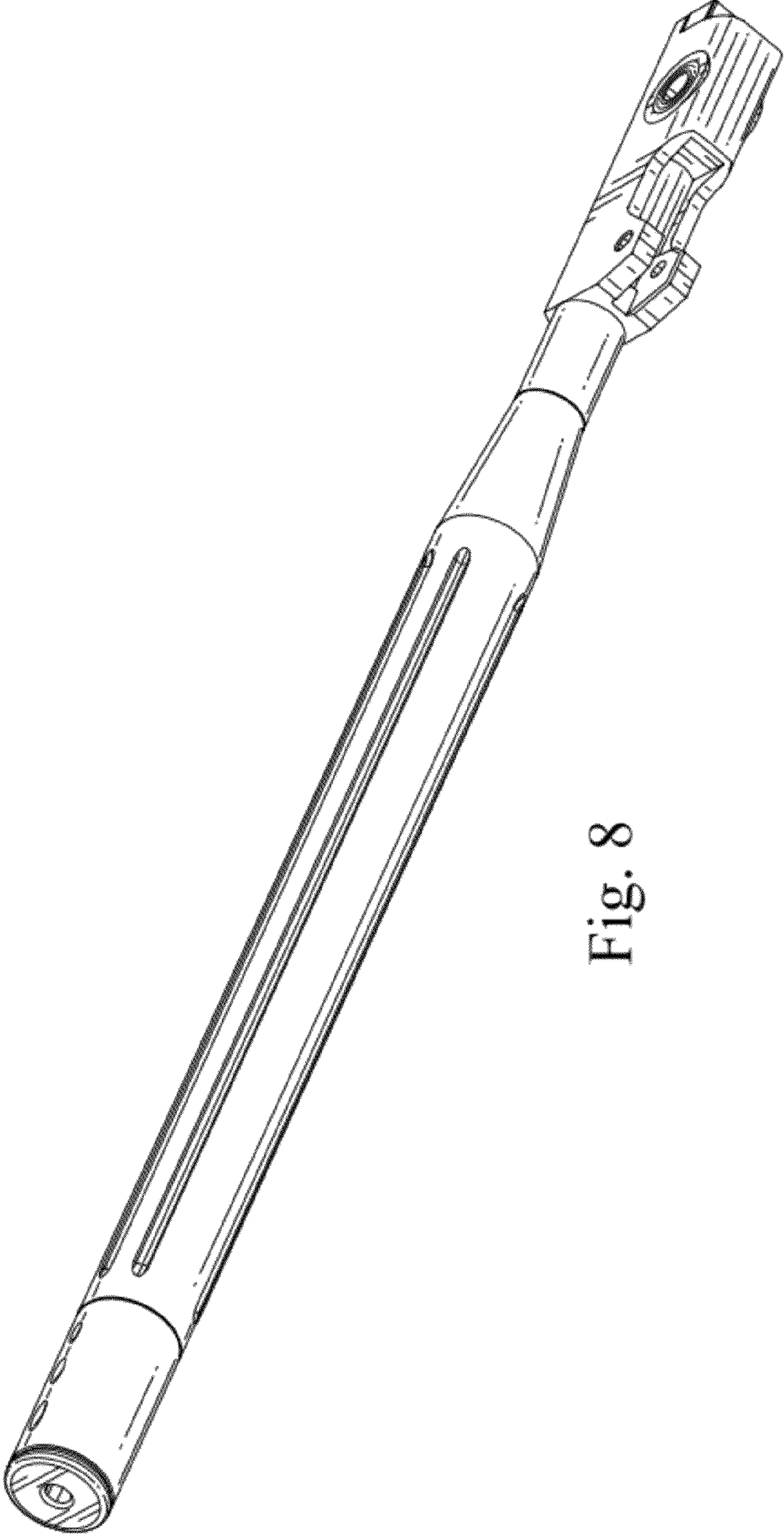


Fig. 8